



US00D479798S

(12) **United States Design Patent**  
**Wall**

(10) **Patent No.:** **US D479,798 S**

(45) **Date of Patent:** **\*\* Sep. 23, 2003**

(54) **CONNECTION ELEMENT FOR SHEET PILES**

(76) **Inventor:** **Georg Wall**, Hans-Graessel-Weg 20,  
D-81375 Munich (DE)

(\*\*) **Term:** **14 Years**

(21) **Appl. No.:** **29/154,334**

(22) **Filed:** **Jan. 22, 2002**

(30) **Foreign Application Priority Data**

Jul. 24, 2001 (DE) ..... 401 06 769

(51) **LOC (7) Cl.** ..... **08-08**

(52) **U.S. Cl.** ..... **D8/382; D25/119**

(58) **Field of Search** ..... D8/382, 394, 395,  
D8/499; D25/119; 403/DIG. 10, 357, 363,  
381; 52/579; 248/74.1; 24/67.9, 336, 455,  
457, 459, 485, 488, 531, 545, 546, 547,  
555, 563, 716, 907, DIG. 9, DIG. 28

(56) **References Cited**

**U.S. PATENT DOCUMENTS**

1,070,833 A \* 8/1913 Neilson ..... 405/278  
1,171,281 A \* 2/1916 Vandevort ..... 405/281

1,183,403 A \* 5/1916 Quimby, Jr. .... 405/278  
3,225,407 A \* 12/1965 Daniels ..... 24/457  
3,688,508 A \* 9/1972 Taylor ..... 405/278  
D242,035 S \* 10/1976 Drawsky ..... D25/119  
D252,668 S \* 8/1979 Rudinski ..... D25/119  
4,521,035 A \* 6/1985 Berezowsky ..... 24/555  
D283,352 S \* 4/1986 Bancroft ..... D25/119  
5,292,208 A \* 3/1994 Berger ..... 405/274  
5,642,557 A \* 7/1997 Clews ..... 24/298  
6,282,762 B1 \* 9/2001 Wall ..... 24/346  
6,430,782 B1 \* 8/2002 Torres et al. .... 24/DIG. 11

\* cited by examiner

*Primary Examiner*—Alan P. Douglas

*Assistant Examiner*—Clare E. Heflin

(74) *Attorney, Agent, or Firm*—Milde & Hoffberg, LLP

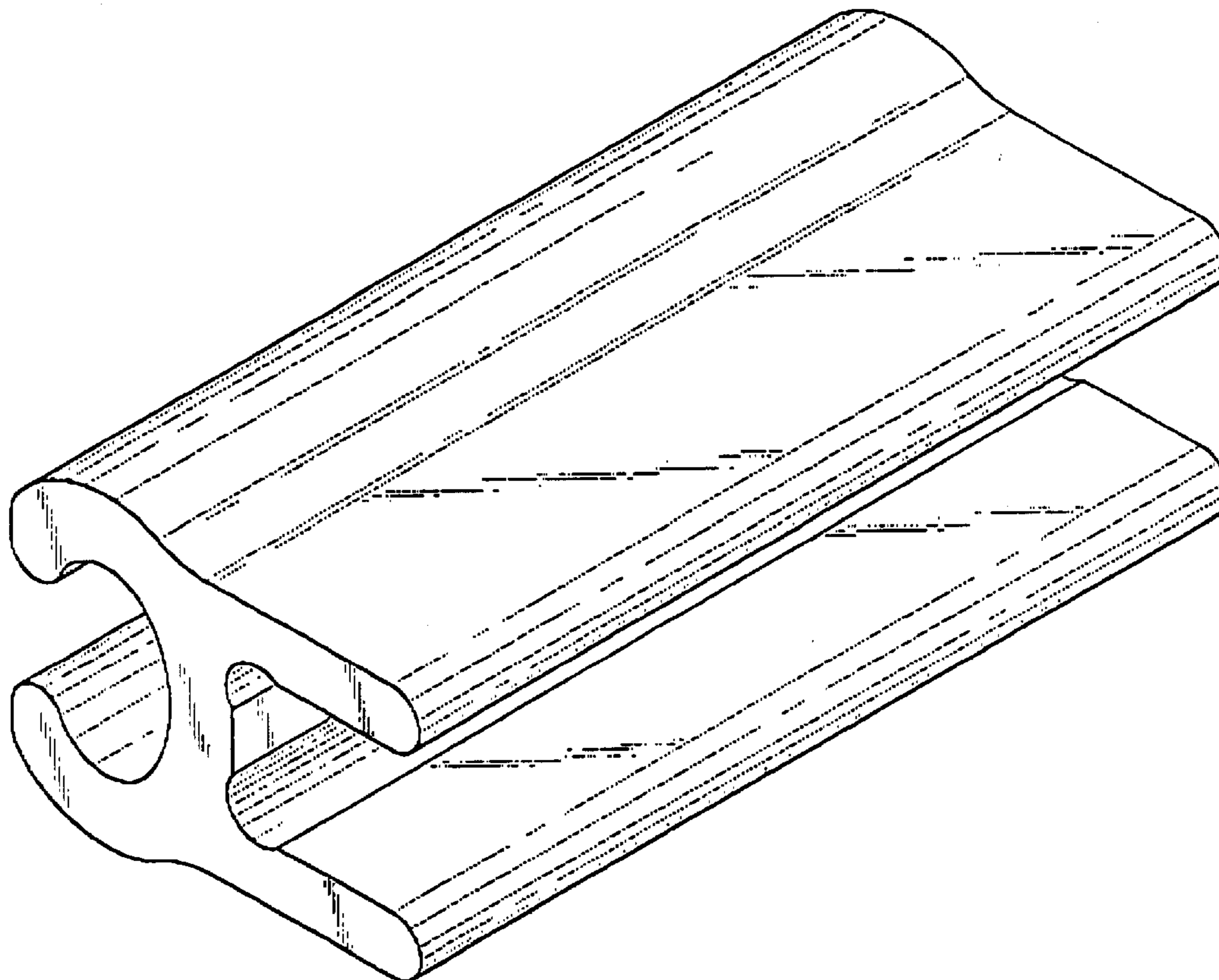
(57) **CLAIM**

The ornamental design for a connection element for sheet piles, as shown and described.

**DESCRIPTION**

FIG. 1 is a perspective view of the connection element for sheet piles according to my design; and, FIG. 2 is an end view of the connection element for sheet piles according to my design.

**1 Claim, 2 Drawing Sheets**



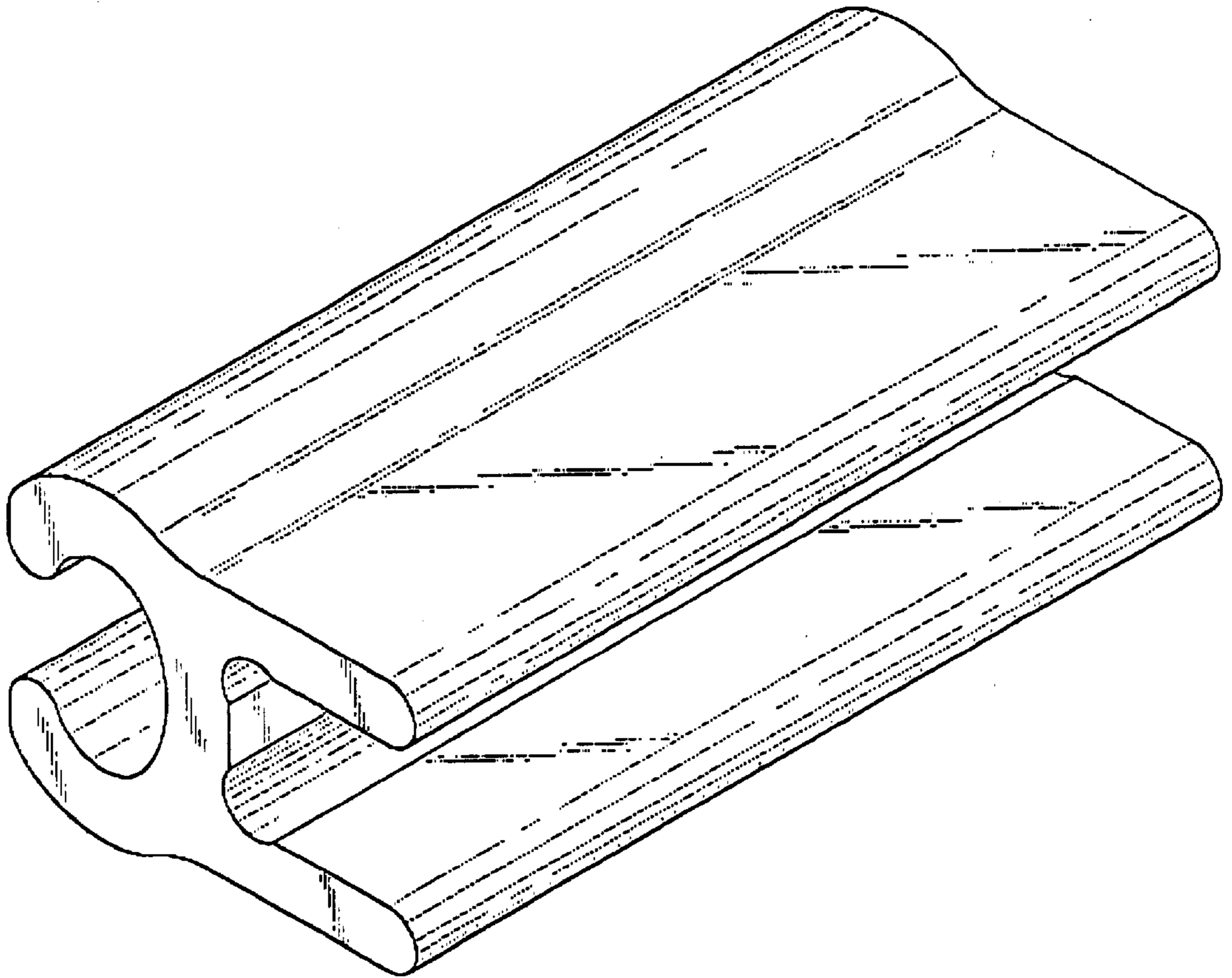


FIG. 1

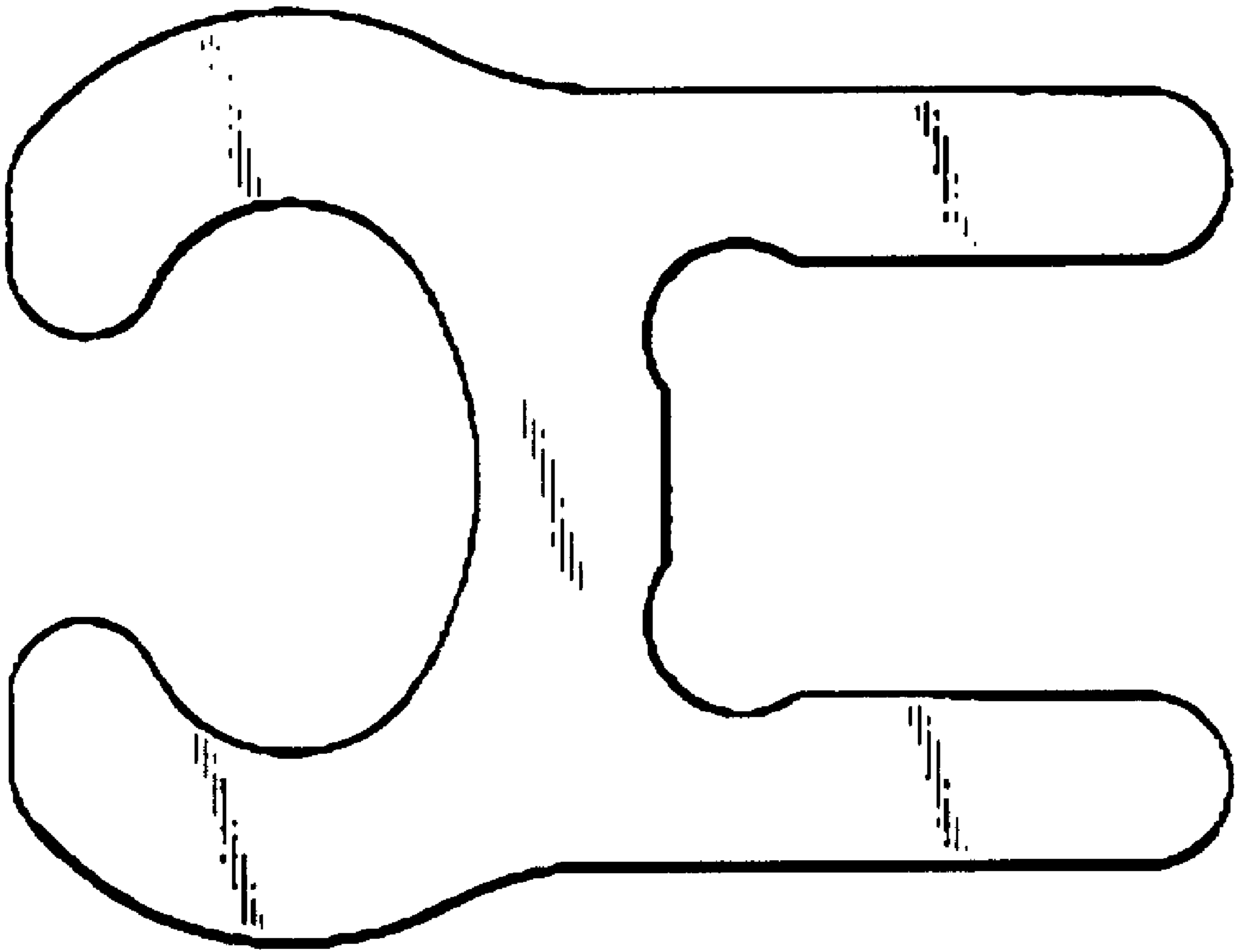


FIG. 2