



US00D479795S

(12) **United States Design Patent**
Snell

(10) **Patent No.:** **US D479,795 S**

(45) **Date of Patent:** **** Sep. 23, 2003**

(54) **OVER DOOR VALET**

D422,418 S * 4/2000 Snell D8/367
D445,669 S * 7/2001 Goodman et al. D8/363

(75) Inventor: **Russell Benton Snell**, Bentleyville, OH (US)

* cited by examiner

(73) Assignee: **InterDesign, Inc.**, Solon, OH (US)

Primary Examiner—Pamela Burgess
(74) *Attorney, Agent, or Firm*—D. Peter Hochberg; Katherine R. Vieyra; Sean Mellino

(**) Term: **14 Years**

(57) **CLAIM**

(21) Appl. No.: **29/175,478**

The ornamental design for an over door valet, as shown and described.

(22) Filed: **Feb. 5, 2003**

(51) **LOC (7) Cl.** **08-05**

(52) **U.S. Cl.** **D8/367**

(58) **Field of Search** D8/367, 363, 372;
D6/323; 160/348, 349.2; 211/106.01, 13.1,
60.1, 66, 113, 123, 118; 248/215, 214,
489, 216.1, 251, 339, 497, 302-304, 231.91;
29/7

DESCRIPTION

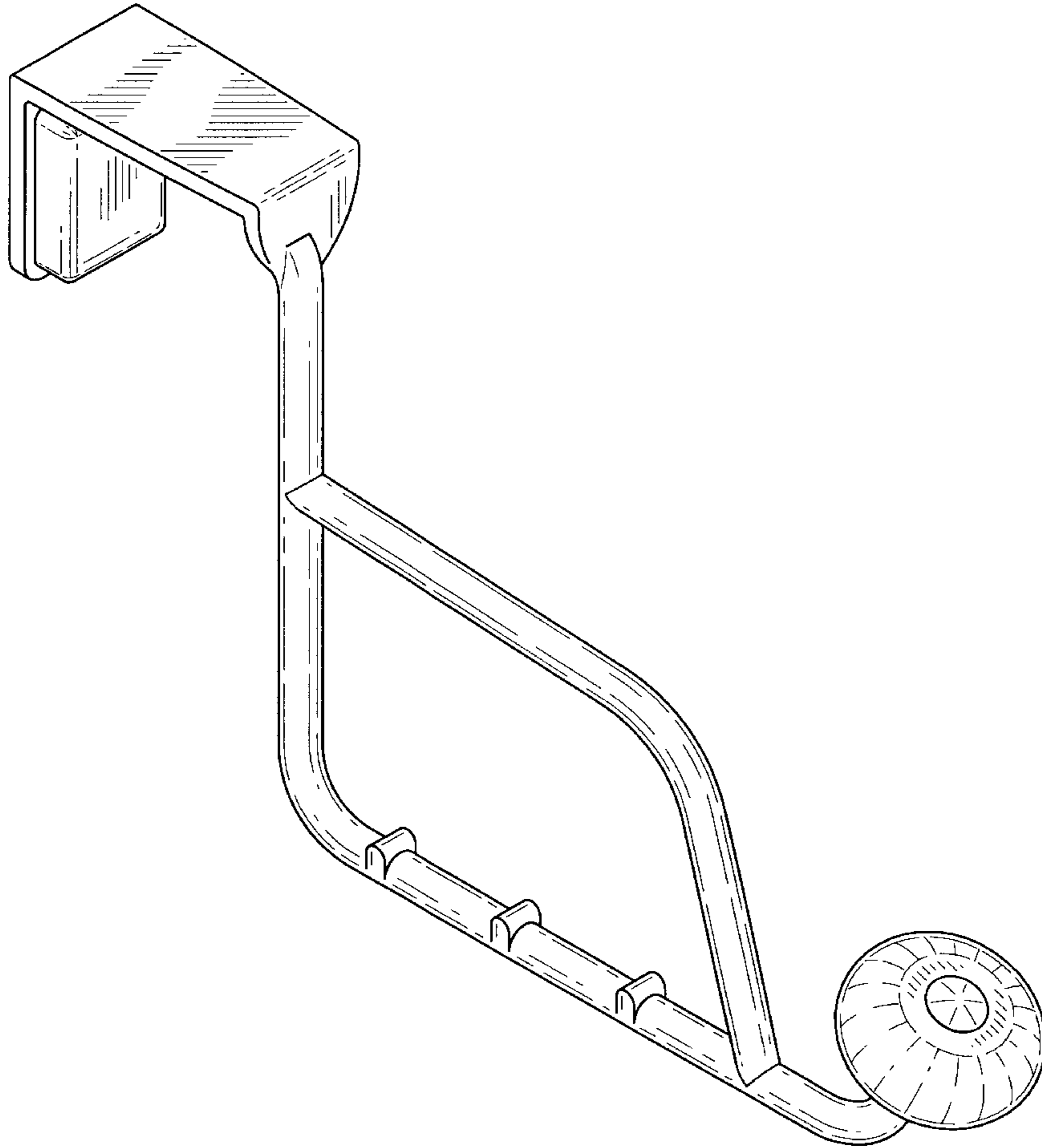
FIG. 1 is a perspective view of an over door valet showing my new design;
FIG. 2 is a top plan view thereof;
FIG. 3 is a left side elevational view thereof;
FIG. 4 is a front elevational view thereof;
FIG. 5 is a right side elevational view thereof;
FIG. 6 is a rear elevational view thereof; and,
FIG. 7 is a bottom plan view thereof.

(56) **References Cited**

U.S. PATENT DOCUMENTS

D279,450 S * 7/1985 Chap D8/363

1 Claim, 3 Drawing Sheets



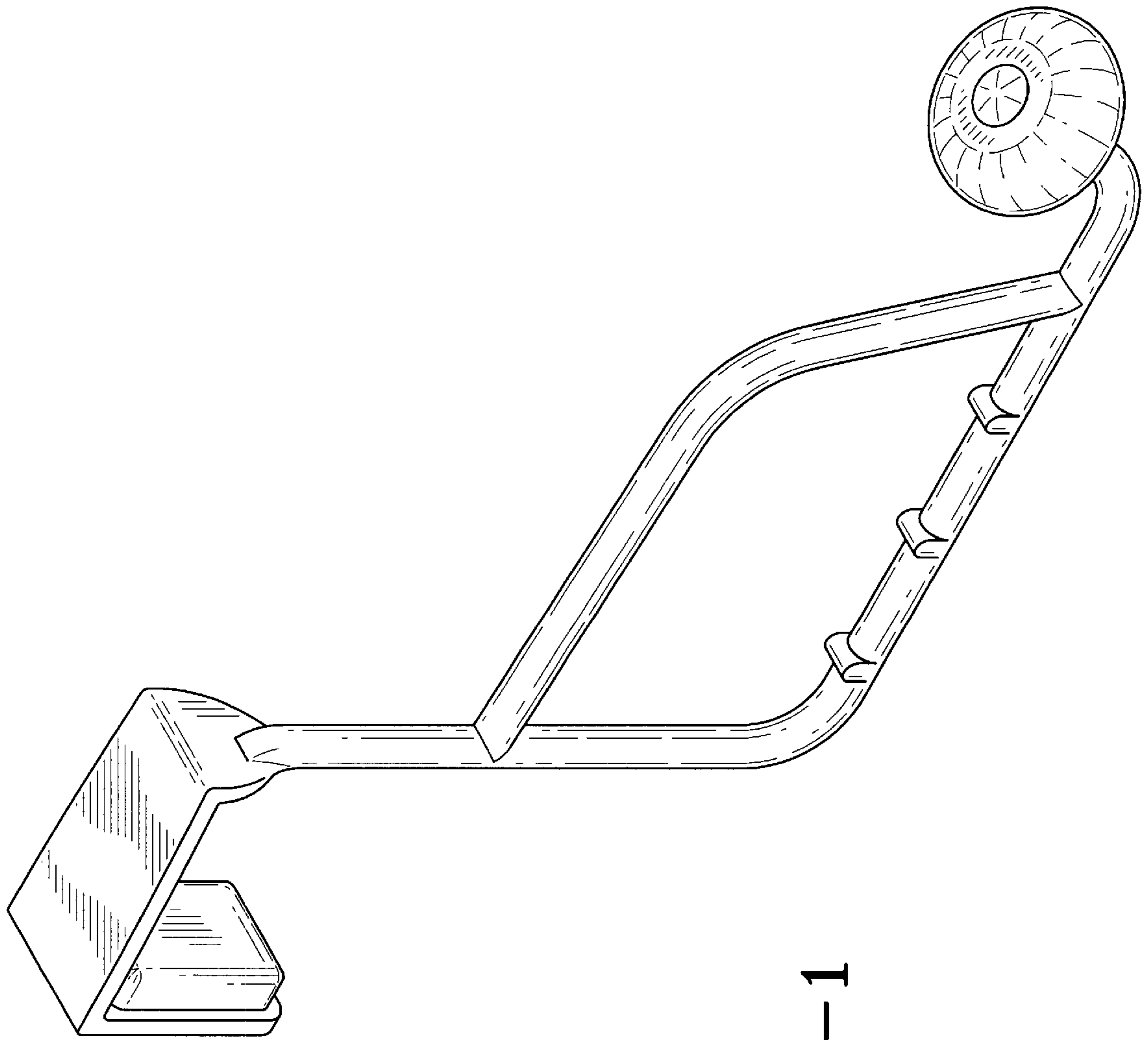


FIG-1

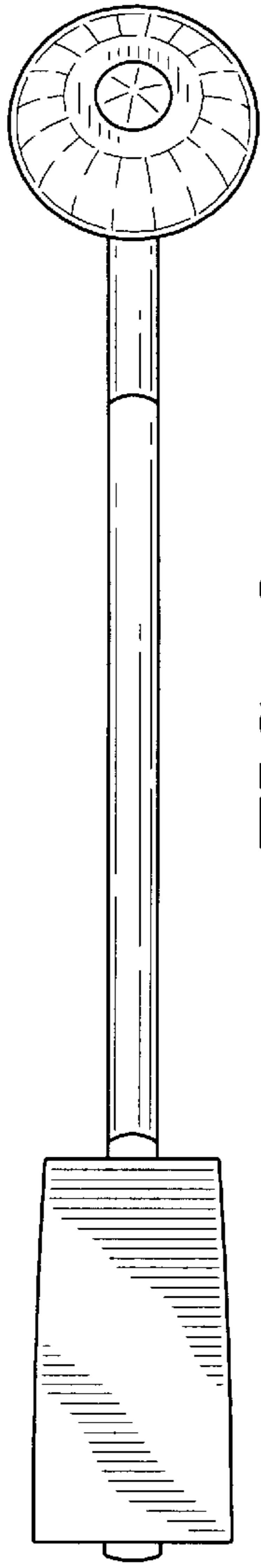


FIG-2

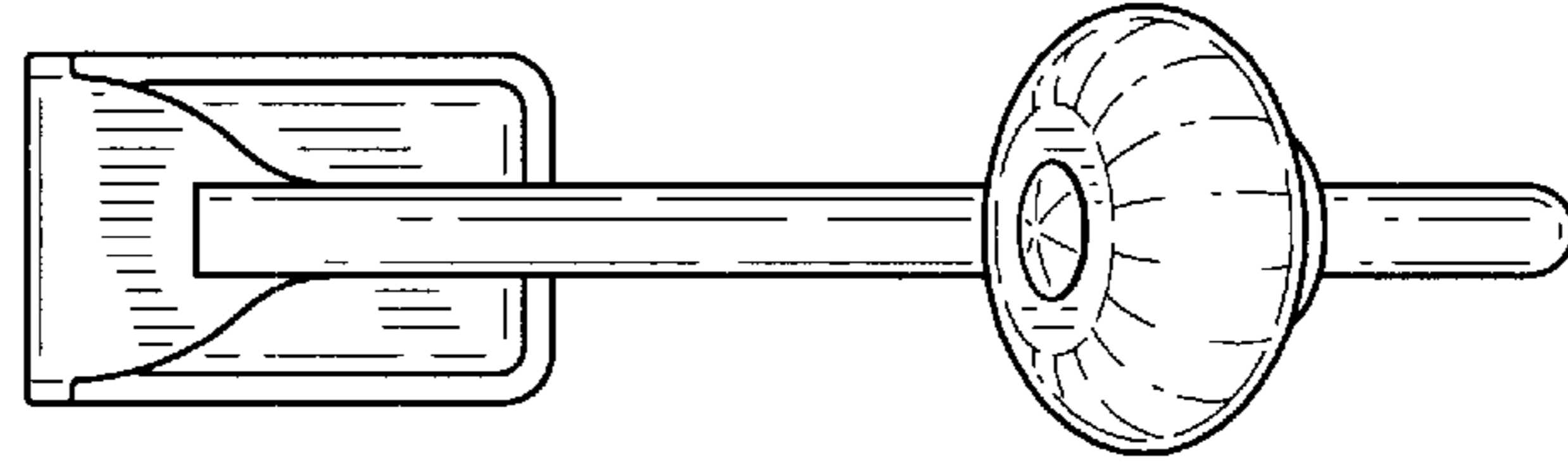


FIG-4

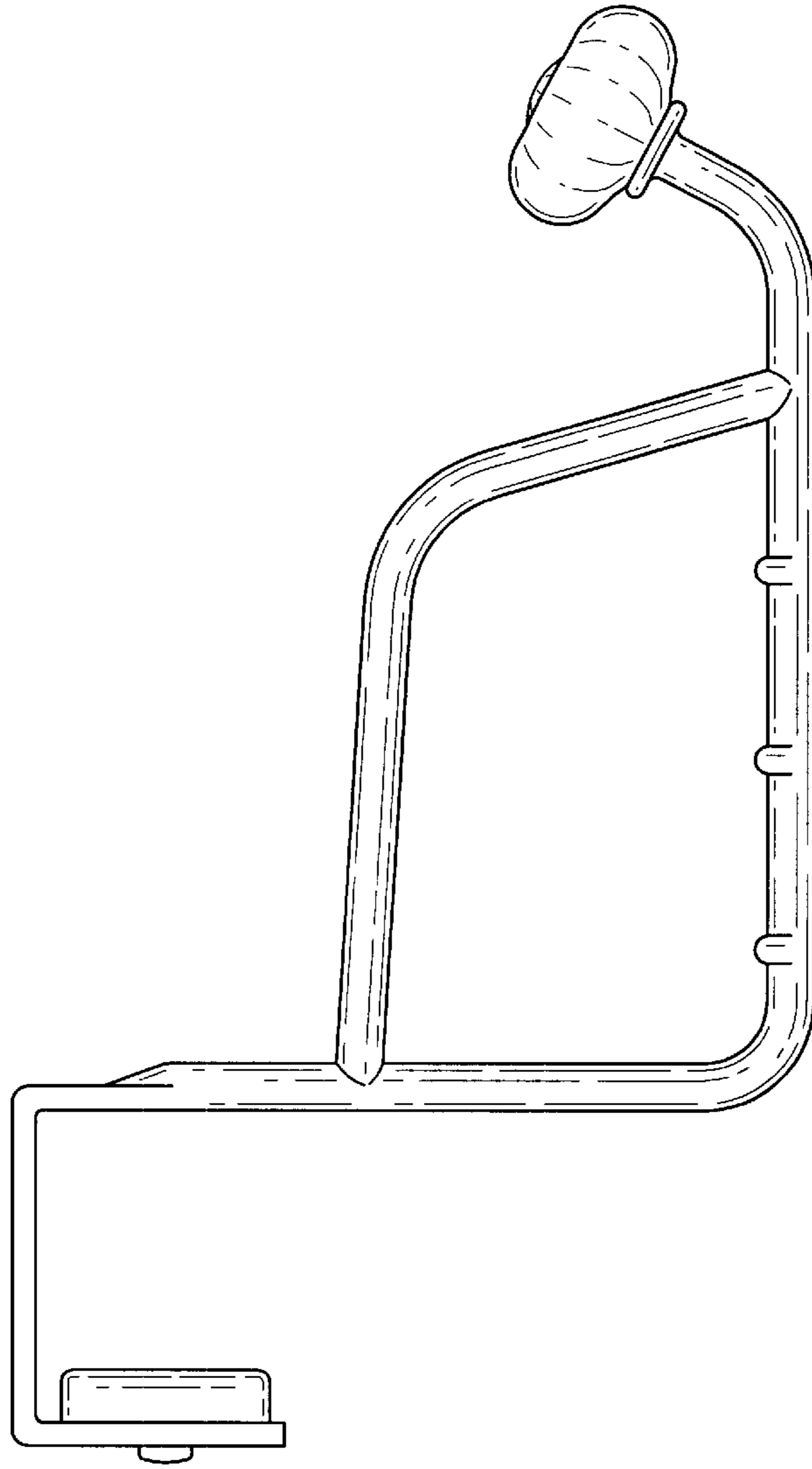


FIG-3

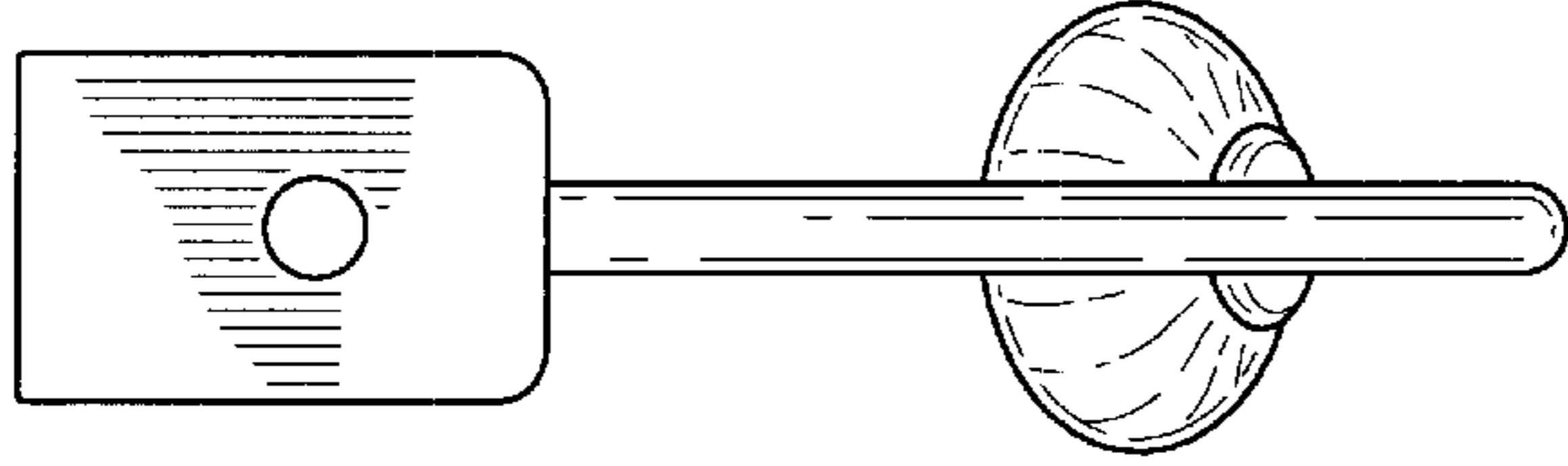


FIG-6

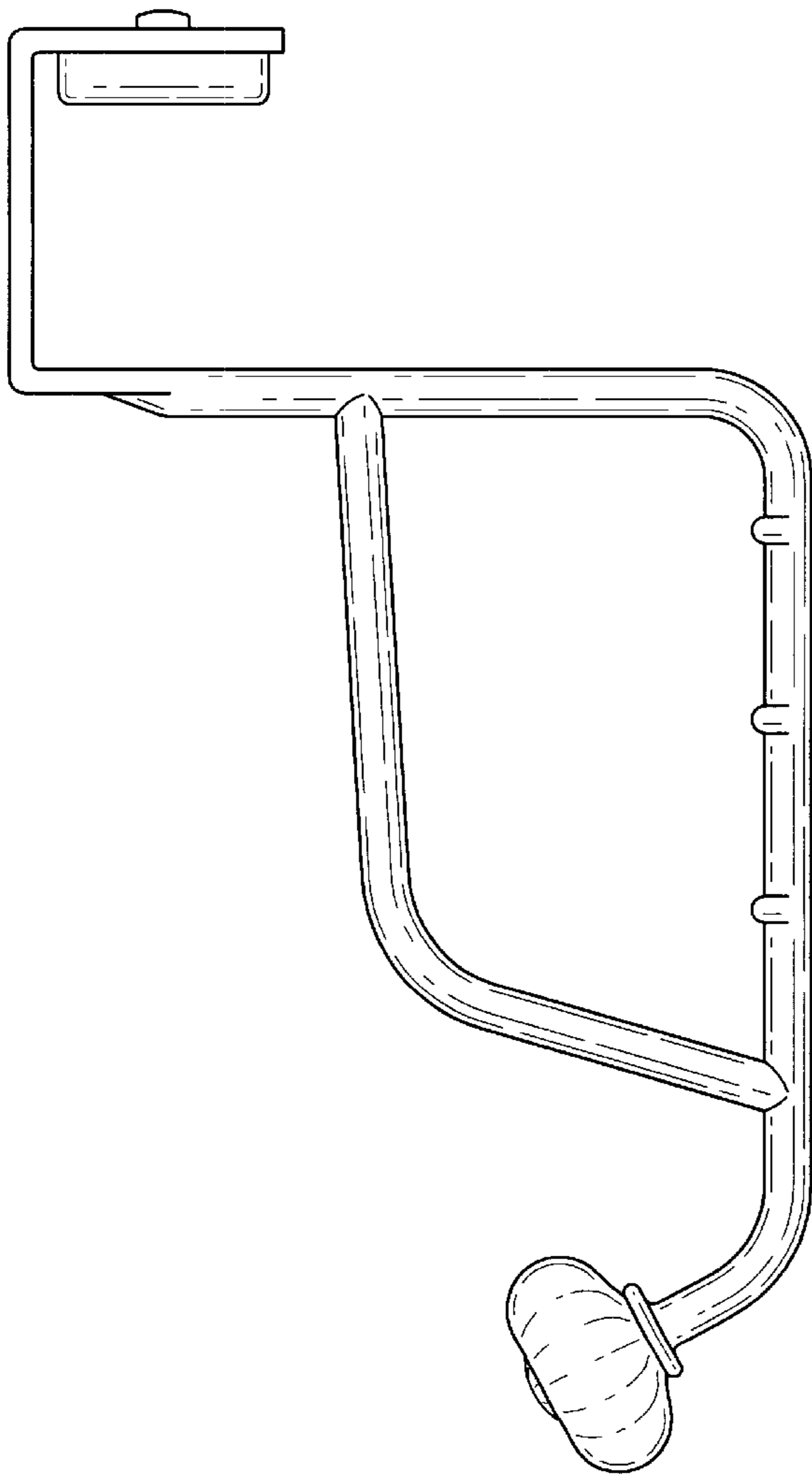


FIG-5

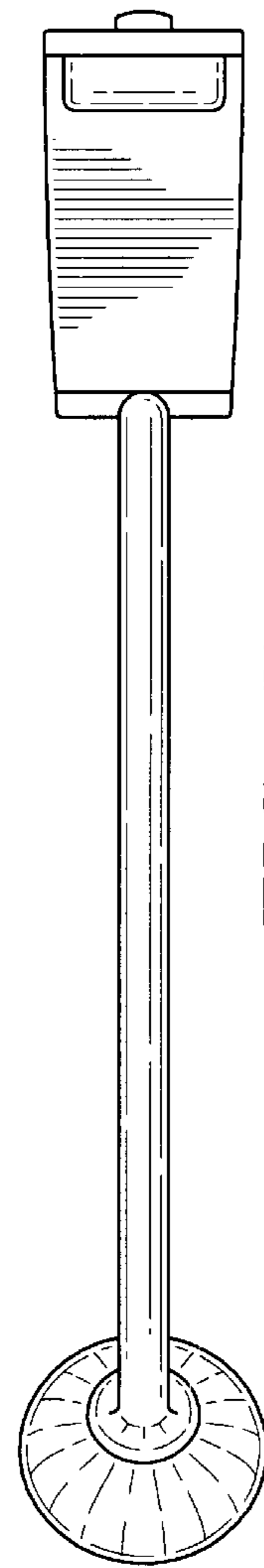


FIG-7