



US00D479794S

(12) **United States Design Patent**
Snell

(10) **Patent No.:** **US D479,794 S**

(45) **Date of Patent:** **** Sep. 23, 2003**

(54) **OVER DOOR SINGLE HOOK**

D455,947 S * 4/2002 Goodman et al. D8/367
D463,730 S * 10/2002 Snell D8/367

(75) Inventor: **Russell Benton Snell**, Bentleyville, OH (US)

* cited by examiner

(73) Assignee: **InterDesign, Inc.**, Solon, OH (US)

Primary Examiner—Pamela Burgess
(74) *Attorney, Agent, or Firm*—D. Peter Hochberg; Katherine R. Vieyra; Sean Mellino

(**) Term: **14 Years**

(57) **CLAIM**

(21) Appl. No.: **29/175,477**

The ornamental design for an over door single hook, as shown and described.

(22) Filed: **Feb. 5, 2003**

(51) **LOC (7) Cl.** **08-05**

(52) **U.S. Cl.** **D8/367**

(58) **Field of Search** D8/367, 363, 373; D6/323; 160/348, 349.2; 211/106.01, 13.1, 60.1, 66, 113, 123, 118; 248/214–215, 489, 216.1, 251, 339, 497, 302–304, 231.91; 29/7

DESCRIPTION

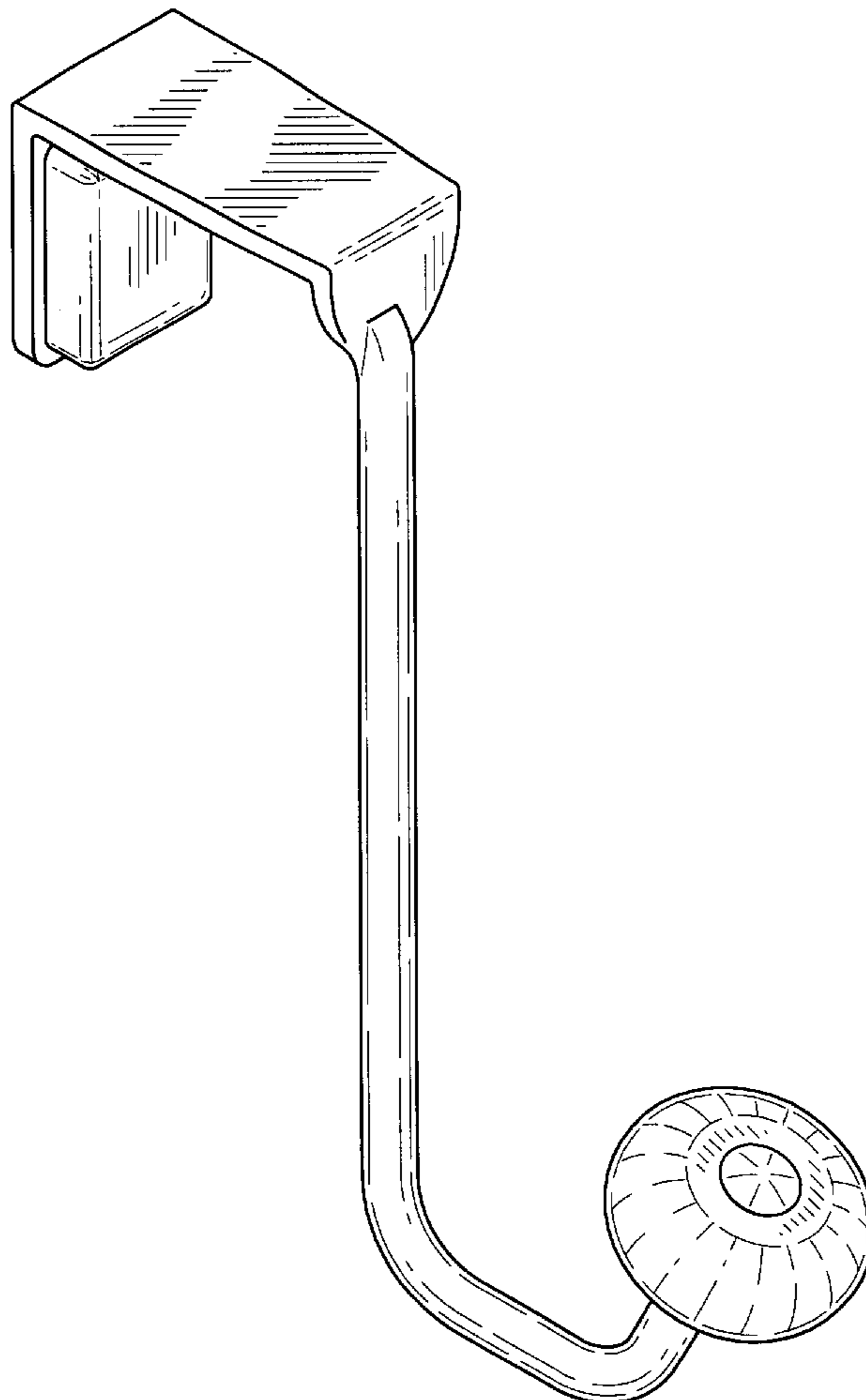
FIG. 1 is a perspective view of an over door single hook embodying this invention;
FIG. 2 is a top view of the hook shown in FIG. 1;
FIG. 3 is a left side elevation view of the hook shown in FIG. 1;
FIG. 4 is a front view of the hook shown in FIG. 1;
FIG. 5 is a right side elevation view of the hook shown in FIG. 1;
FIG. 6 is a rear view of the hook shown in FIG. 1; and,
FIG. 7 is a bottom view of the hook shown in FIG. 1.

(56) **References Cited**

U.S. PATENT DOCUMENTS

D422,198 S * 4/2000 Snell D8/367
D446,108 S * 8/2001 Snell D8/367

1 Claim, 3 Drawing Sheets



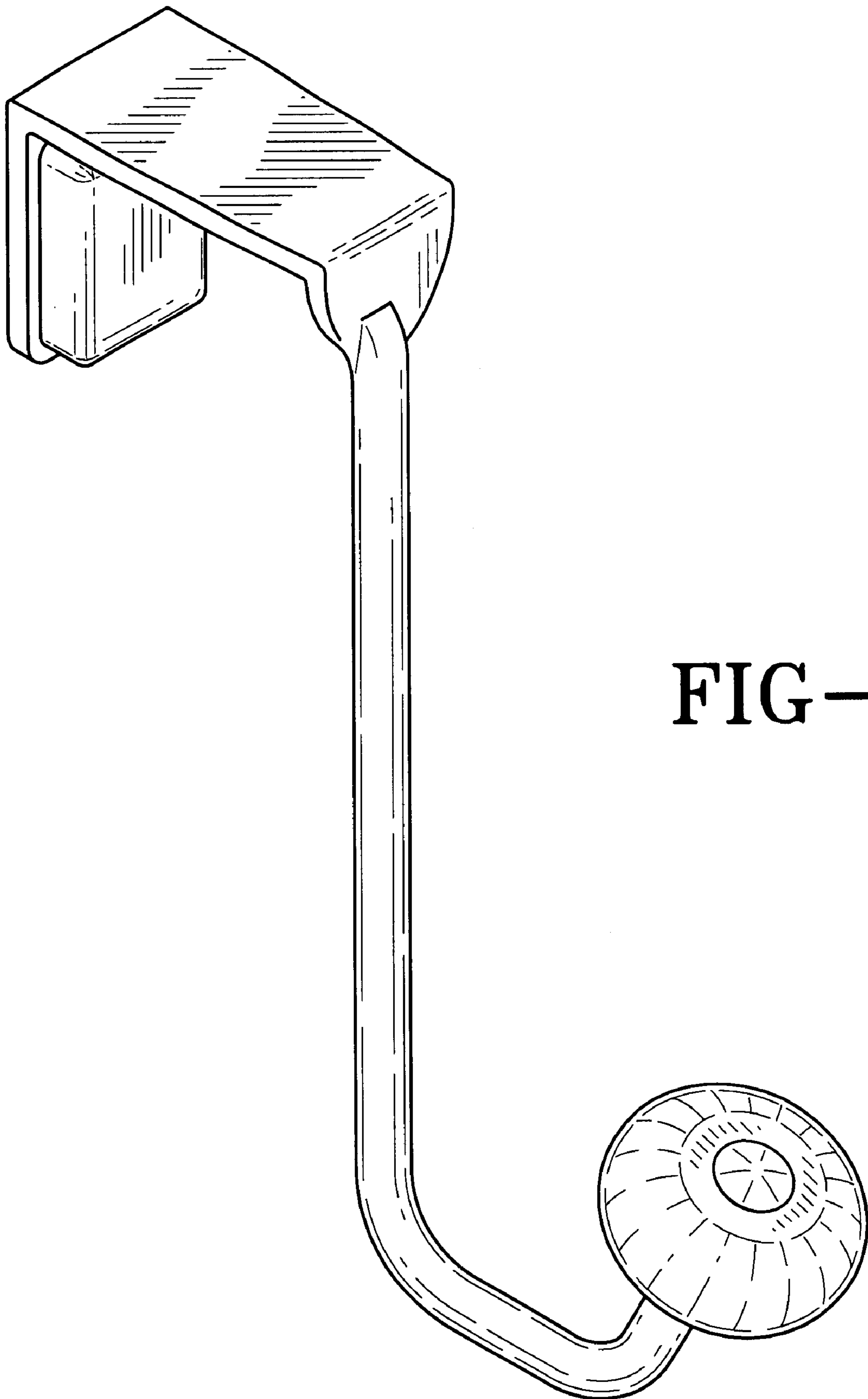


FIG-1

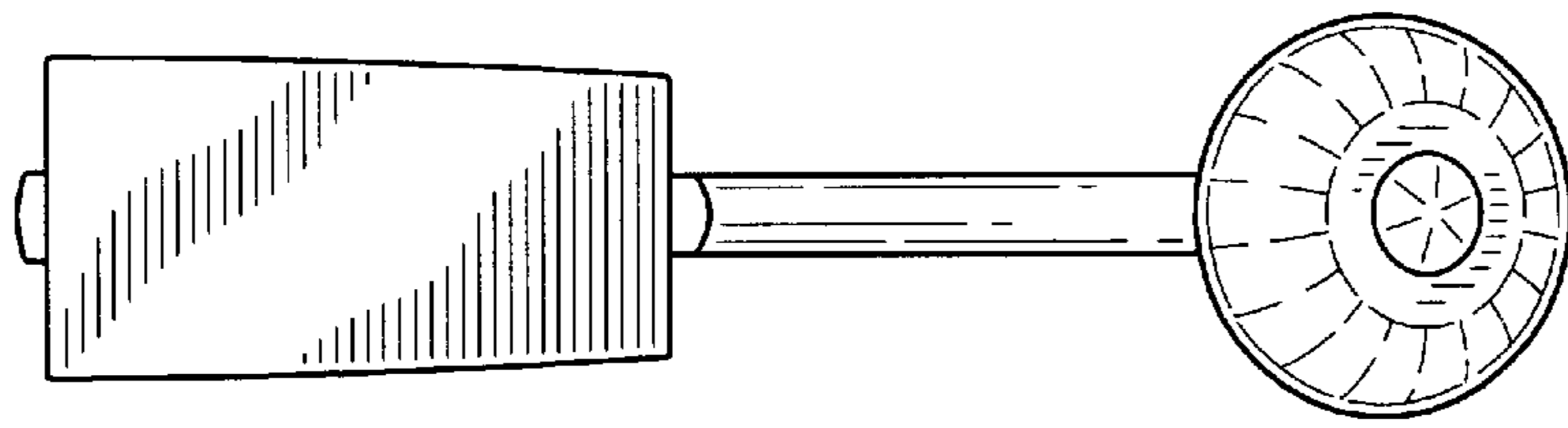


FIG-2

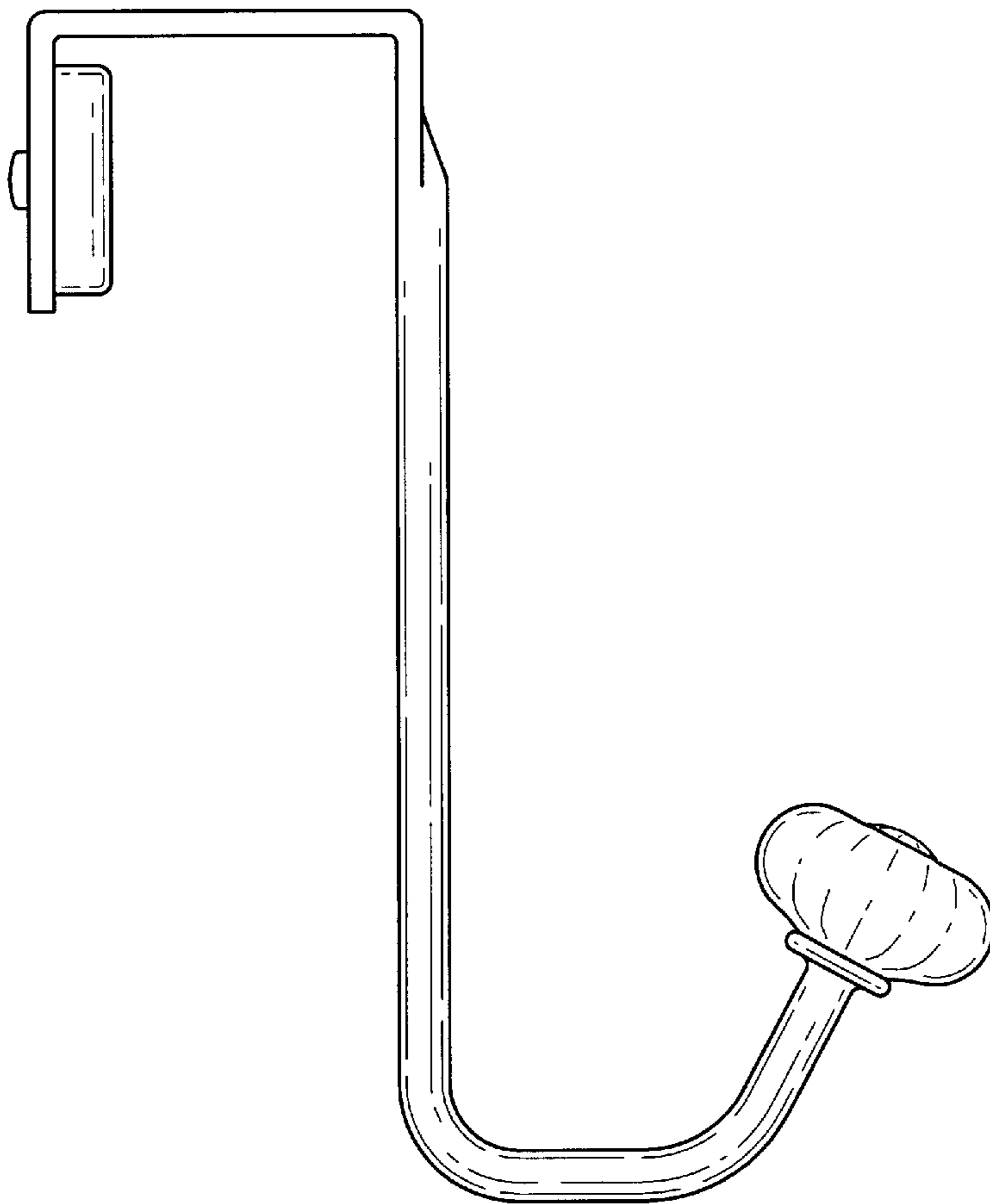


FIG-3

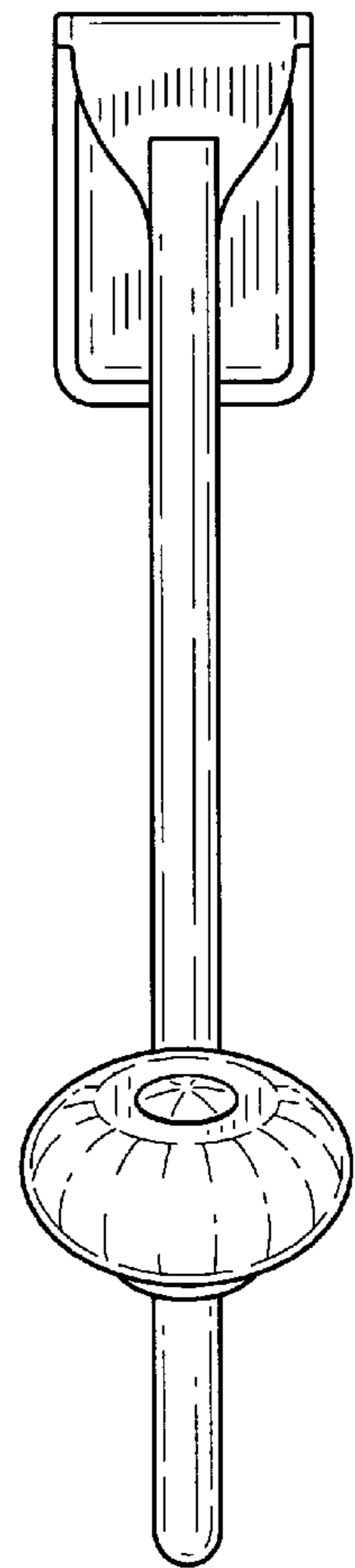


FIG-4

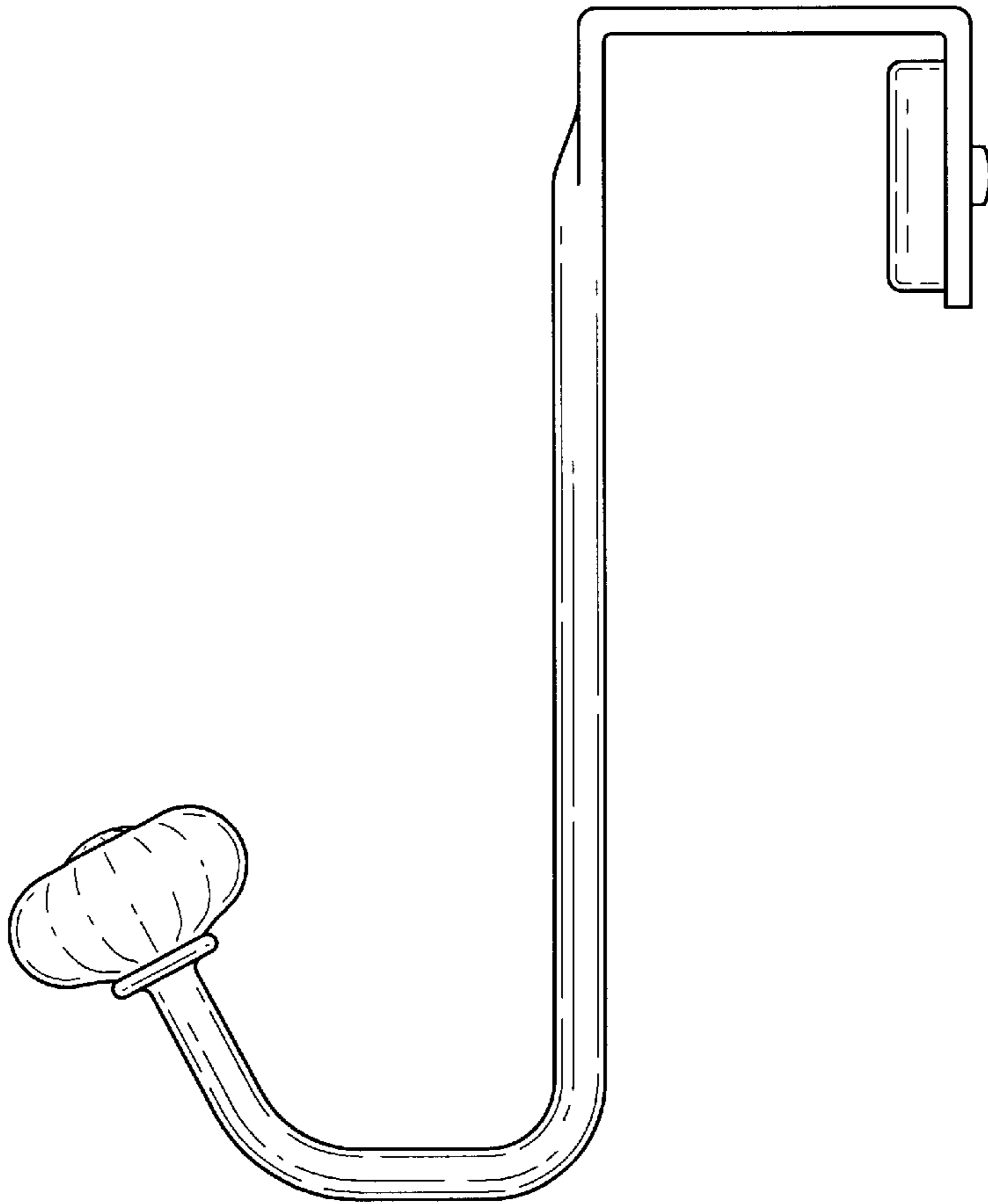


FIG-5

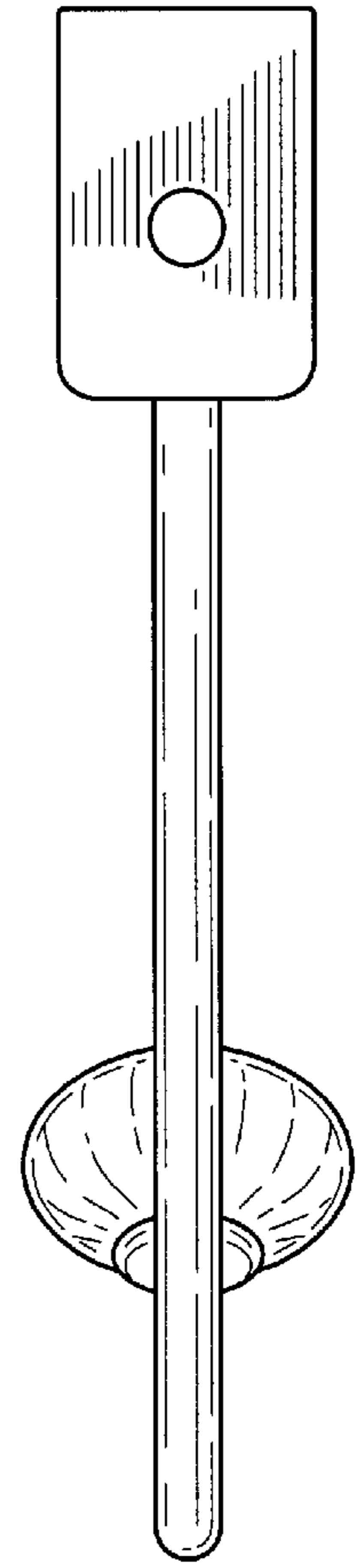


FIG-6

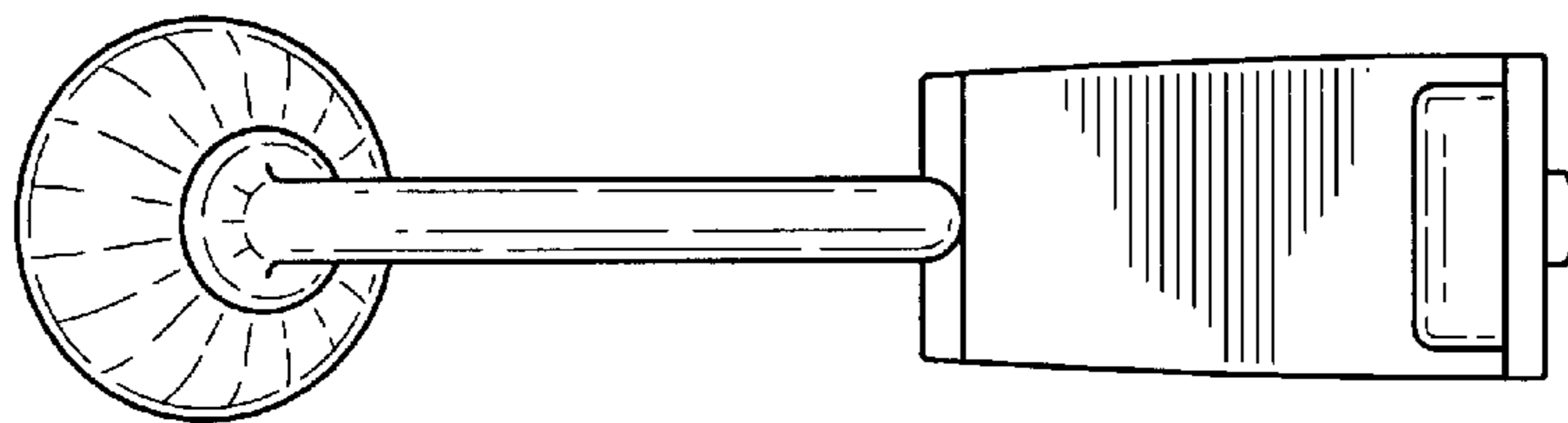


FIG-7