



US00D479792S

(12) **United States Design Patent**
Winocoor

(10) **Patent No.:** **US D479,792 S**

(45) **Date of Patent:** **** Sep. 23, 2003**

(54) **TEMPORARY DOOR LOCK**

(76) **Inventor:** **Larry Winocoor**, 10343 Coventry Ct.,
Boca Raton, FL (US) 33428

(**) **Term:** **14 Years**

(21) **Appl. No.:** **29/163,103**

(22) **Filed:** **Jun. 28, 2002**

(51) **LOC (7) Cl.** **08-07**

(52) **U.S. Cl.** **D8/331**

(58) **Field of Search** D8/330, 331, 336,
D8/338, 343, 344; 16/233; 70/14, 91, 101,
102, 103; 292/210, 281, 297, 298, 340,
341.17, 346

(56) **References Cited**

U.S. PATENT DOCUMENTS

D215,266 S * 9/1969 Woodcock D8/331
4,917,422 A * 4/1990 Rose 292/297
D317,111 S * 5/1991 Johns D8/344
D319,964 S * 9/1991 Johns D8/344

5,291,760 A * 3/1994 Schrader 70/14
D433,308 S * 11/2000 Winston D8/330
D442,465 S * 5/2001 Johns D8/336

* cited by examiner

Primary Examiner—Brian N. Vinson

(74) *Attorney, Agent, or Firm*—Robert M. Downey, PA

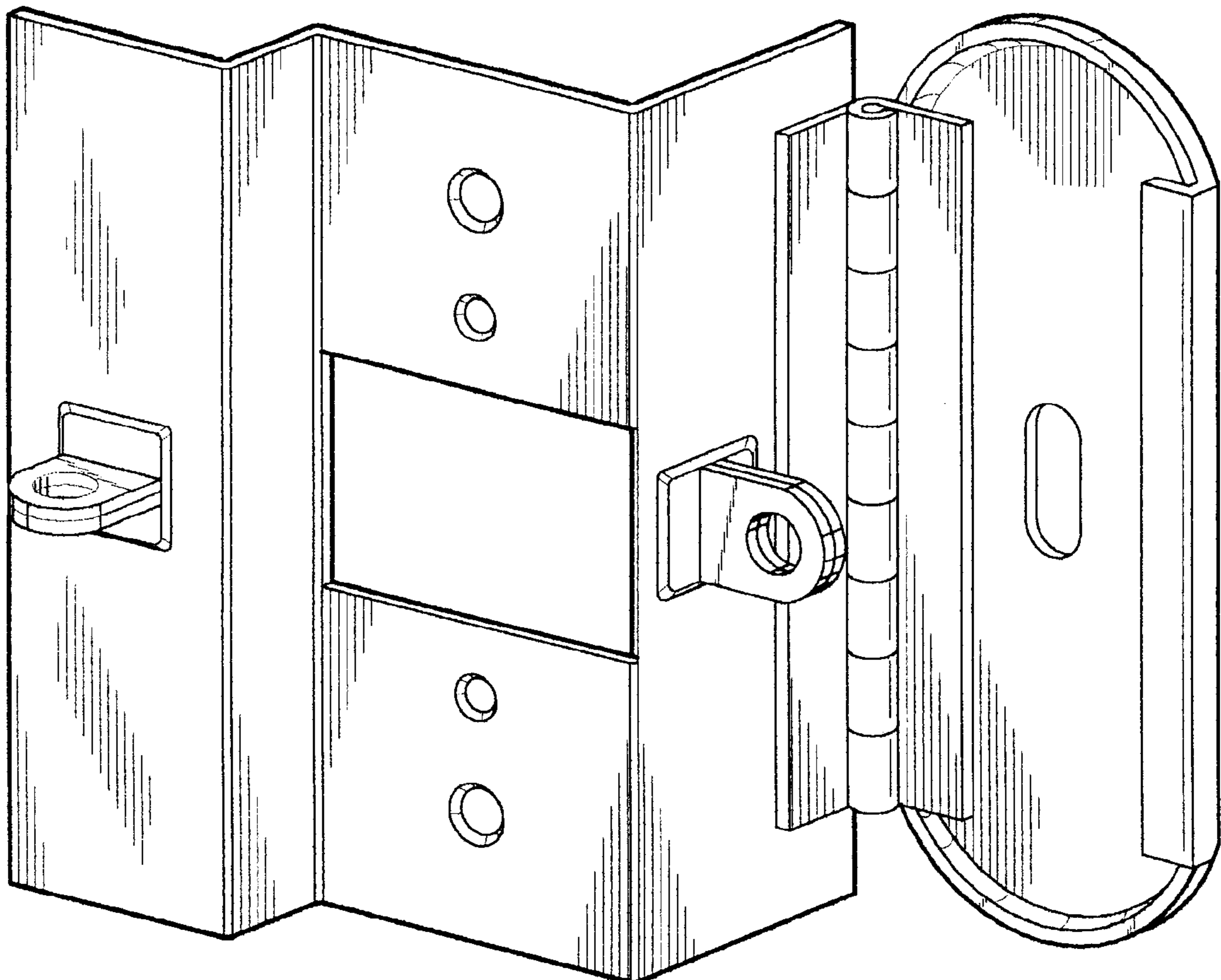
(57) **CLAIM**

The ornamental design for a temporary door lock, as shown and described.

DESCRIPTION

FIG. 1 is a front perspective view of a temporary door lock showing my new design;
FIG. 2 is a front elevational view thereof;
FIG. 3 is a right end elevational view thereof;
FIG. 4 is a top plan view thereof;
FIG. 5 is a bottom plan view thereof;
FIG. 6 is a rear elevational view thereof; and,
FIG. 7 is a left end elevational view thereof.

1 Claim, 2 Drawing Sheets



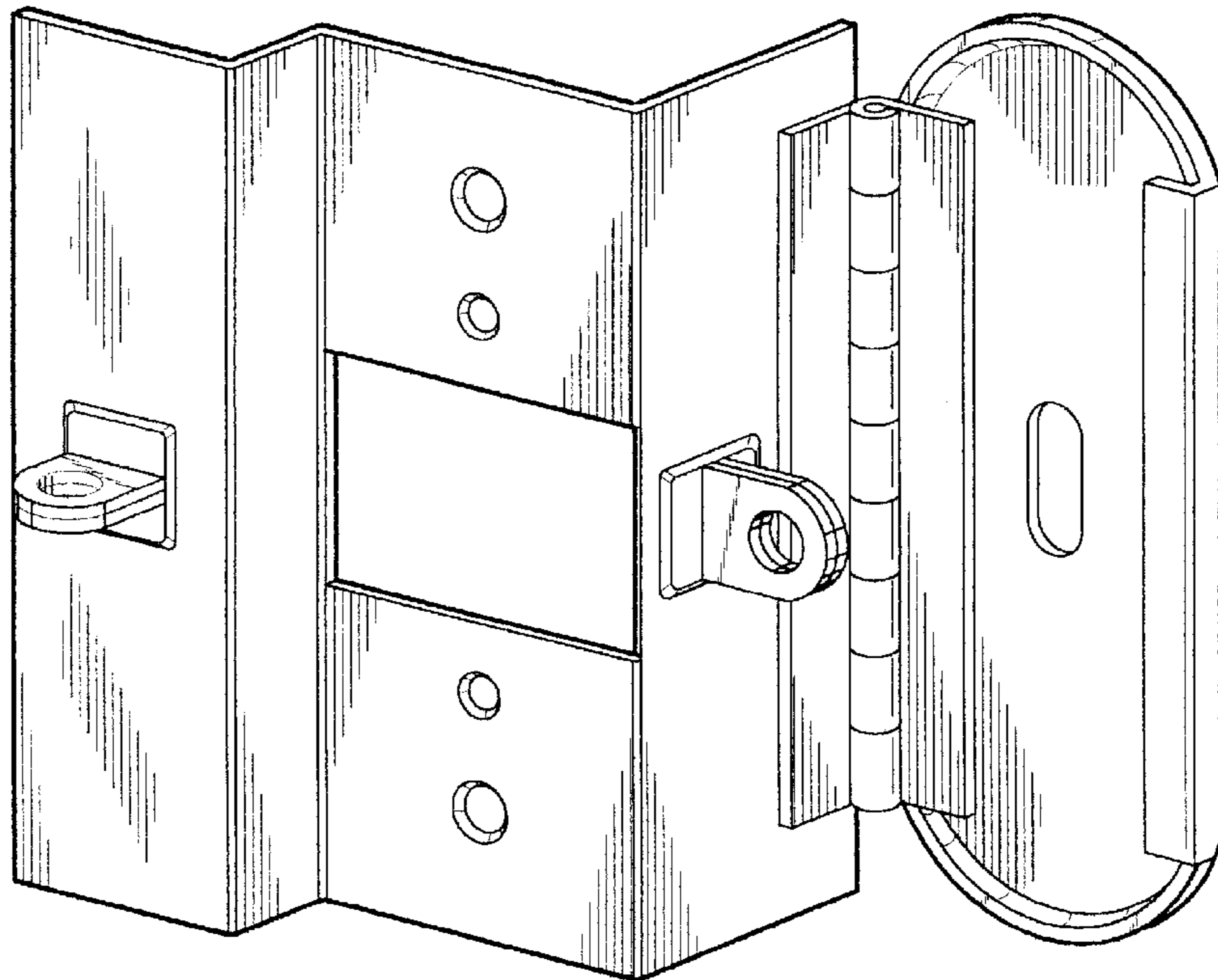


FIG. 1

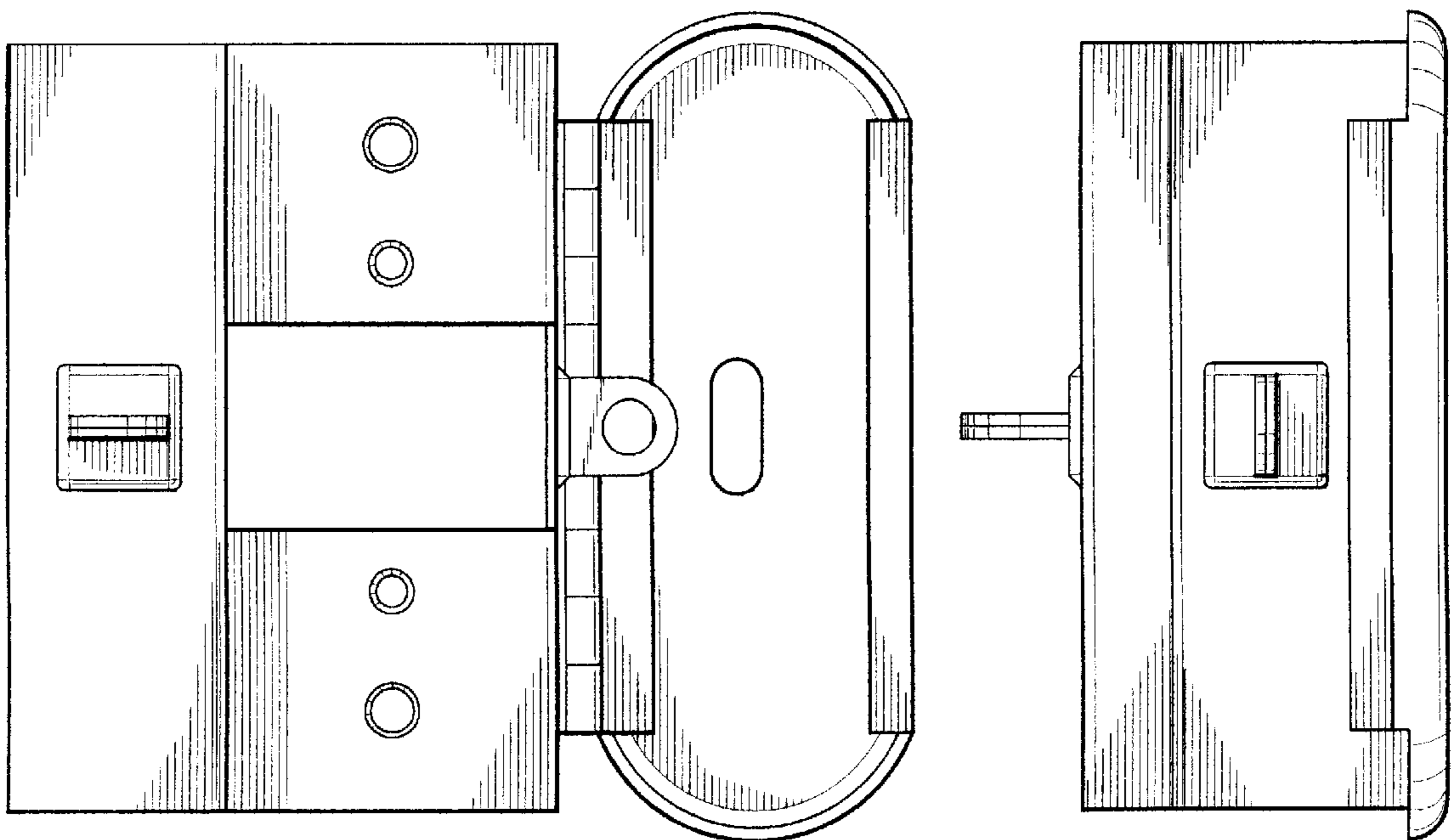


FIG. 2

FIG. 3

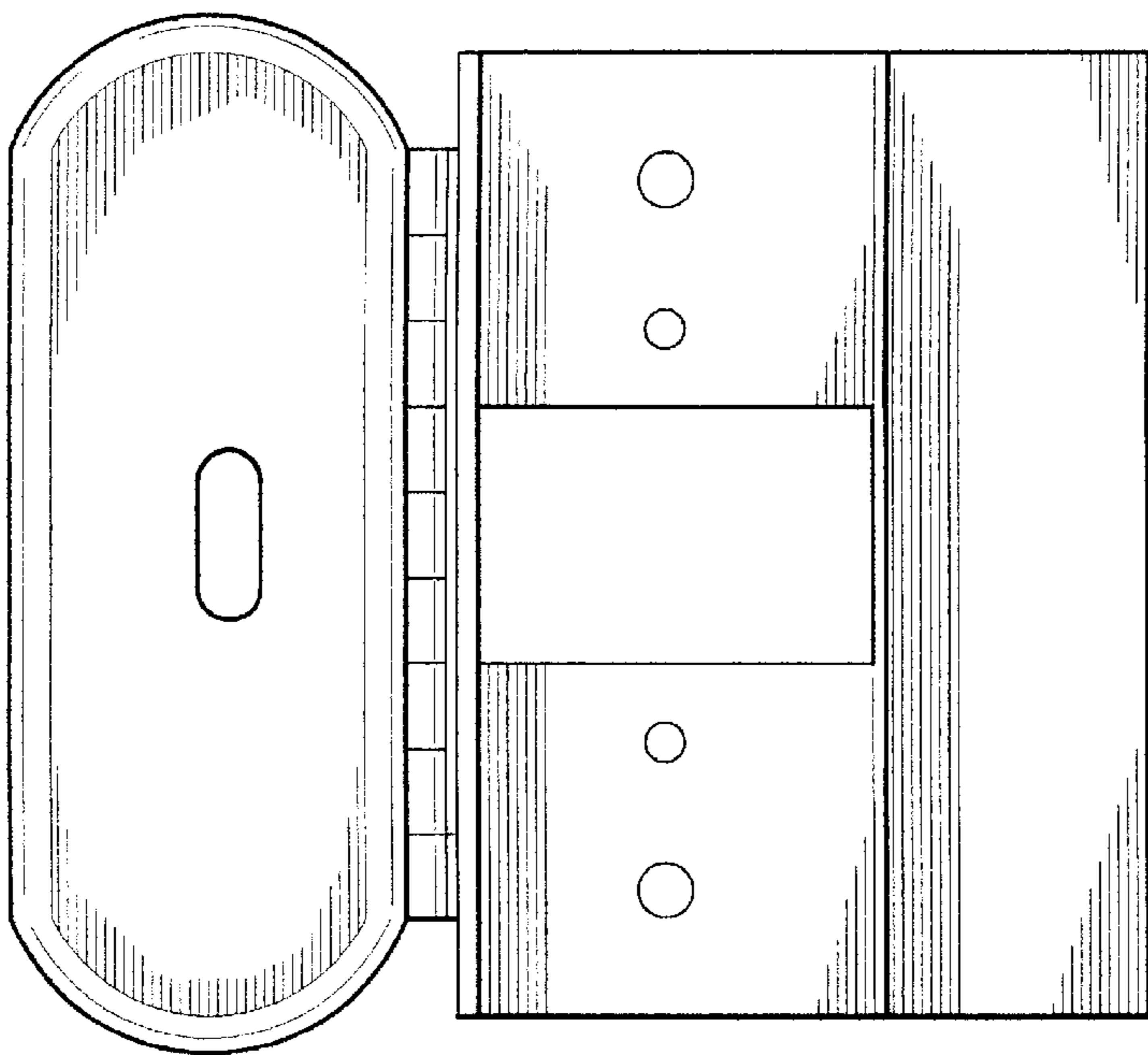
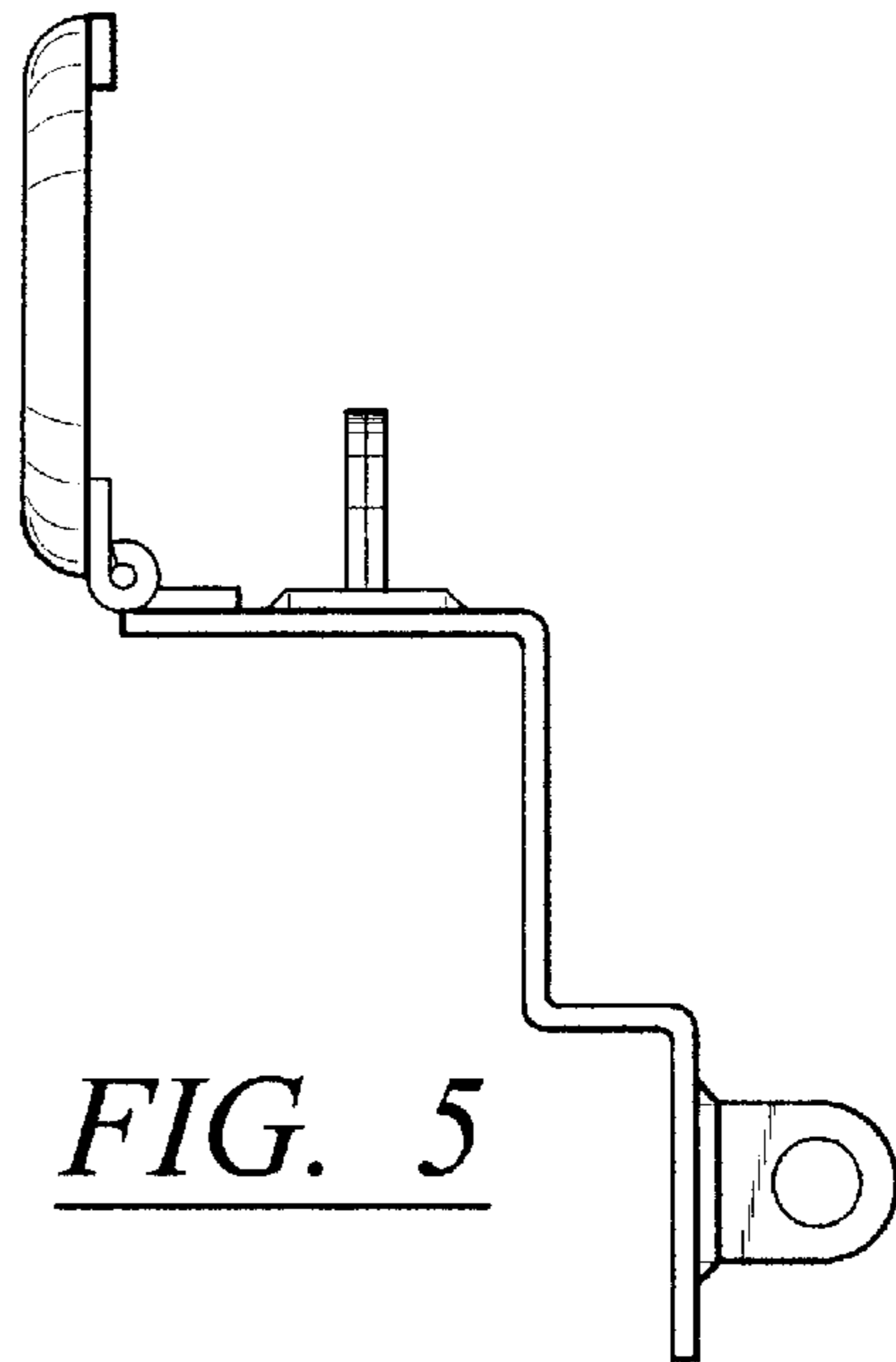
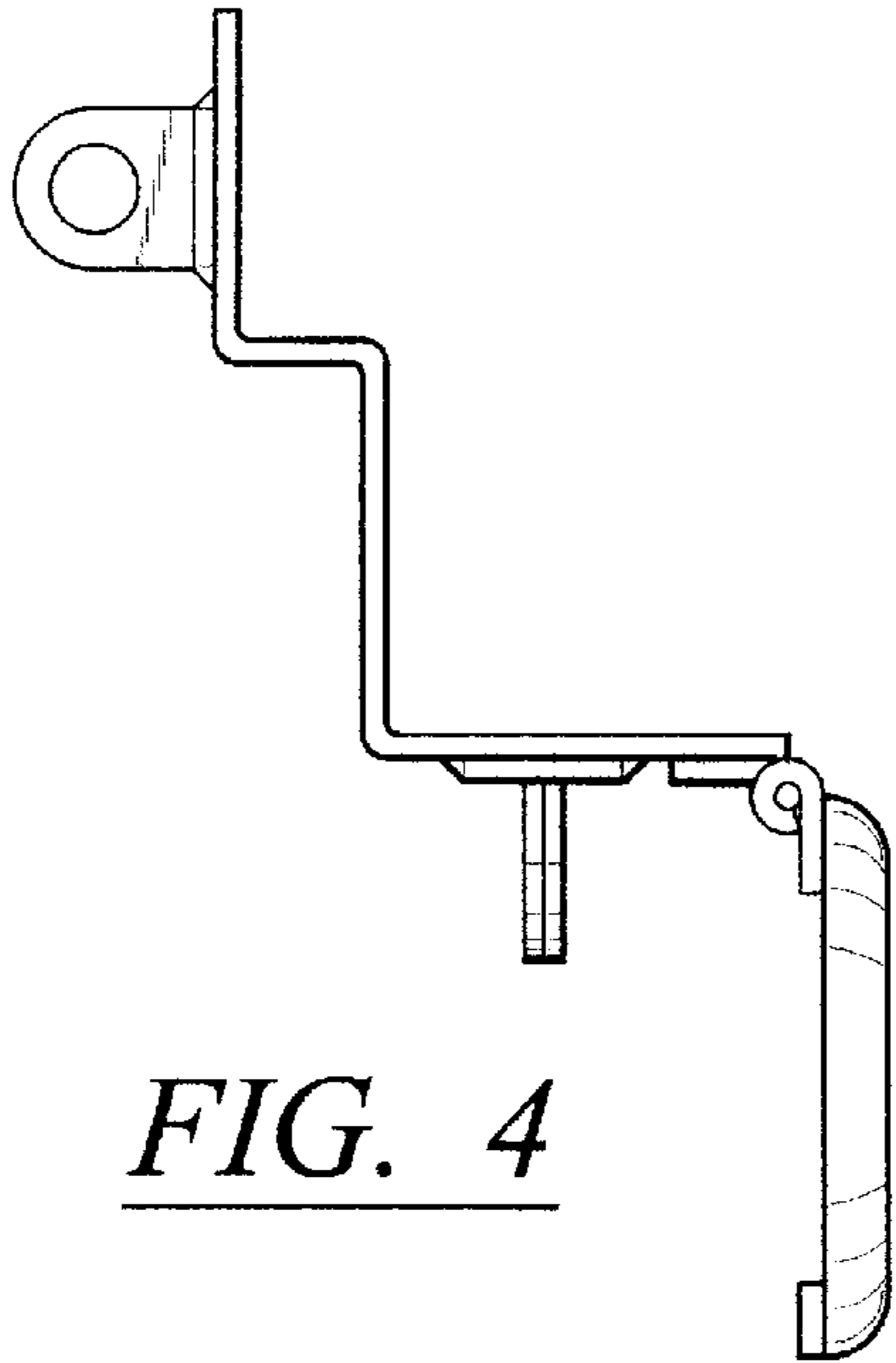


FIG. 6

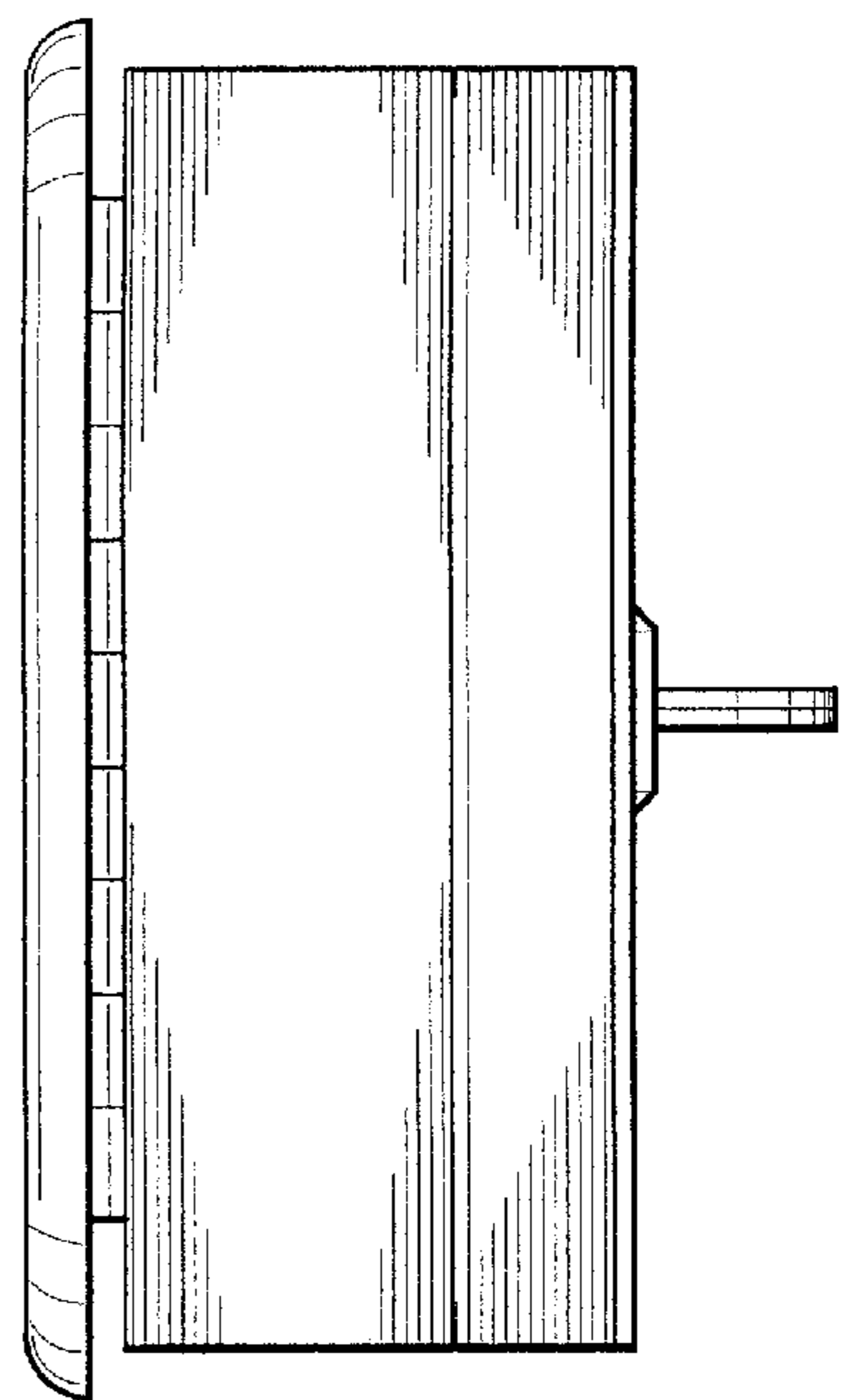


FIG. 7