



US00D479788S

(12) **United States Design Patent**
Ocklenburg

(10) **Patent No.:** **US D479,788 S**

(45) **Date of Patent:** **** Sep. 23, 2003**

(54) **MULTI-FUNCTIONAL TOOL**

(75) Inventor: **Matthias Ocklenburg**, Wuppertal (DE)

(73) Assignee: **Vereinigte Stahlwarenfabriken Gerb. Richartz & Söhne GmbH**, Solingen (DE)

(**) Term: **14 Years**

(21) Appl. No.: **29/162,736**

(22) Filed: **Jun. 18, 2002**

(30) **Foreign Application Priority Data**

Dec. 19, 2001 (DE) 4 01 10 952

(51) **LOC (7) Cl.** **08-03**

(52) **U.S. Cl.** **D8/105**

(58) **Field of Search** D8/14, 55, 21-23, D8/83, 85, 87, 93-94, 99, 104-105, 107; 7/118, 128, 131, 135; 30/169, 123, 154-155, 186, 191; 81/440

(56) **References Cited**

U.S. PATENT DOCUMENTS

328,911	A	*	10/1885	Wood	7/119	X
825,929	A	*	7/1906	Nobis	7/118	X
1,701,467	A	*	2/1929	Tilmanns	7/154	X
D447,401	S	*	9/2001	Rivera	D8/105	
D471,421	S	*	3/2003	Lang	D8/105	

* cited by examiner

Primary Examiner—Nelson C. Holtje
(74) *Attorney, Agent, or Firm*—Martin A. Farber

(57) **CLAIM**

The ornamental design for a multi-functional tool, as shown and described.

DESCRIPTION

FIG. 1 is a perspective view of the multi-functional tool of my invention;
FIG. 2 is a front view of the multi-functional tool of FIG. 1;
FIG. 3 is a side view from the right side of the multi-functional tool of FIG. 1;
FIG. 4 is a side view from the left side of the multi-functional tool of FIG. 1;
FIG. 5 is a top plan view of the multi-functional tool of FIG. 1;
FIG. 6 is a bottom view of the multi-functional tool of FIG. 1;
FIG. 7 is a rear view of the multi-functional tool of FIG. 1;
FIG. 8 is a perspective view of FIG. 1 in the use position;
FIG. 9 is a front view of FIG. 8;
FIG. 10 is a side view from the right side of FIG. 8;
FIG. 11 is a side view from the left side of FIG. 8;
FIG. 12 is a bottom view of FIG. 8;
FIG. 13 is a top plan view of FIG. 8;
FIG. 14 is a rear view of FIG. 8; and,
FIG. 15 is a perspective view of FIG. 1 in the extended use position.

1 Claim, 3 Drawing Sheets

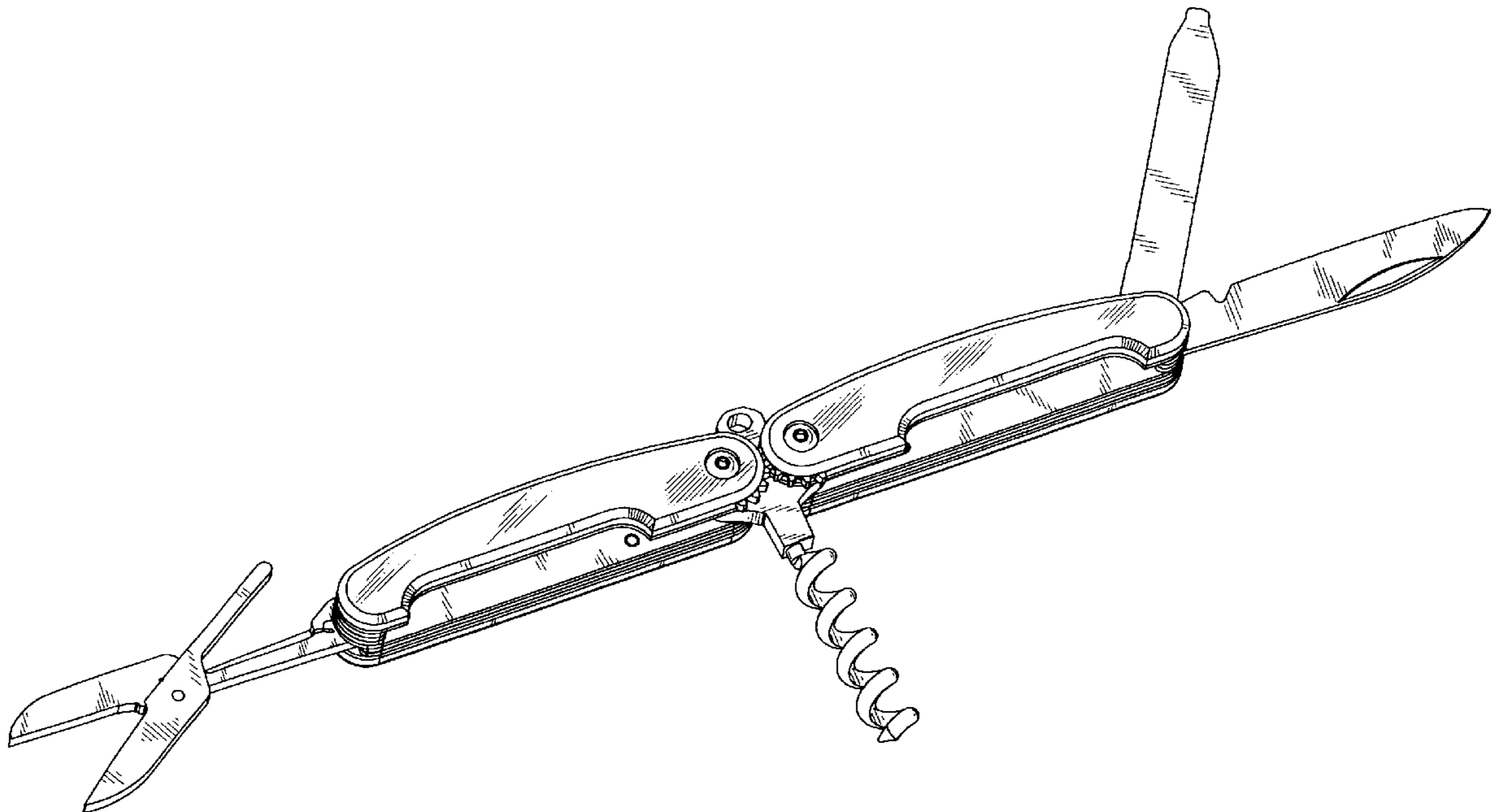


Fig. 1

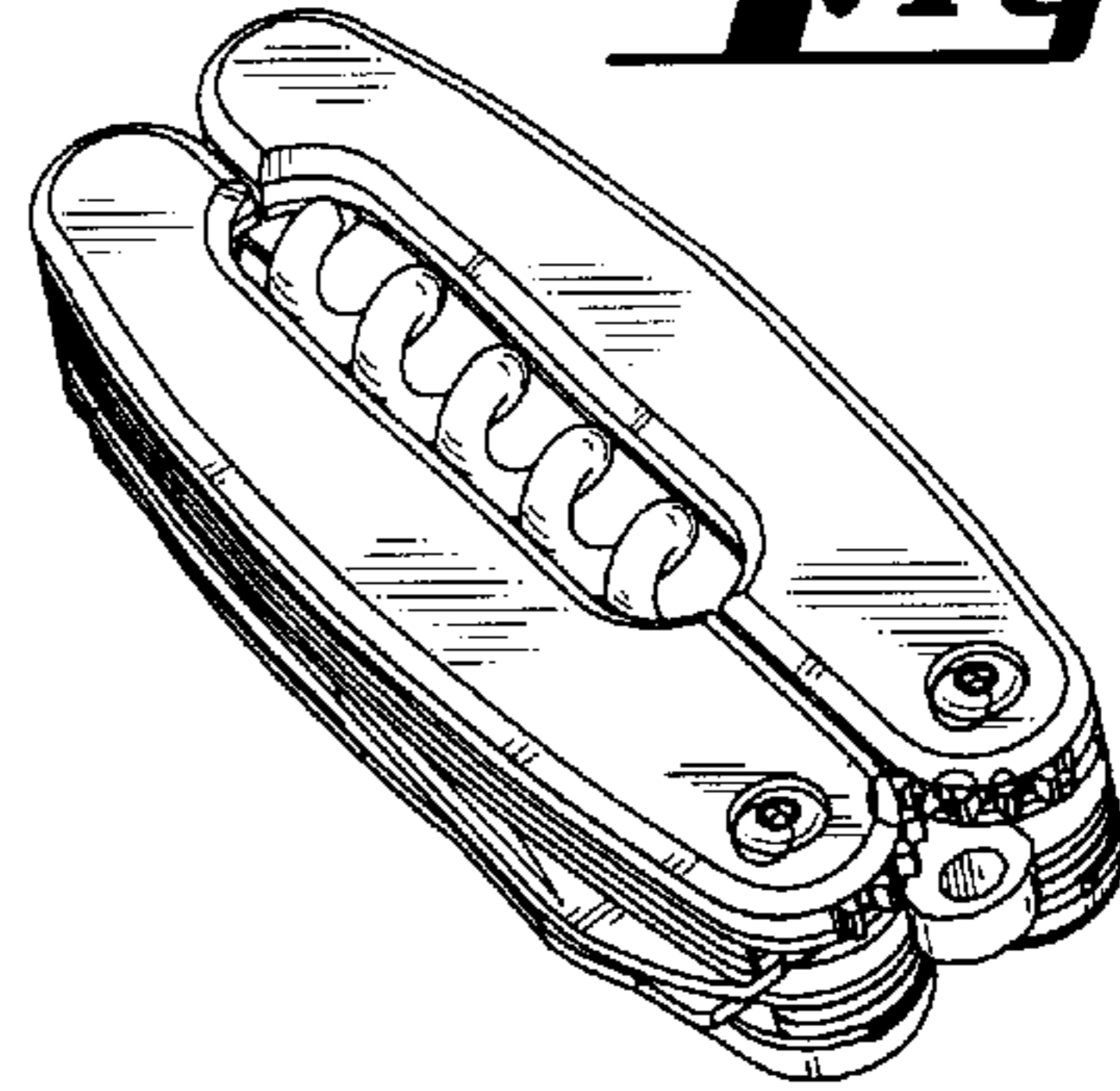


Fig. 6

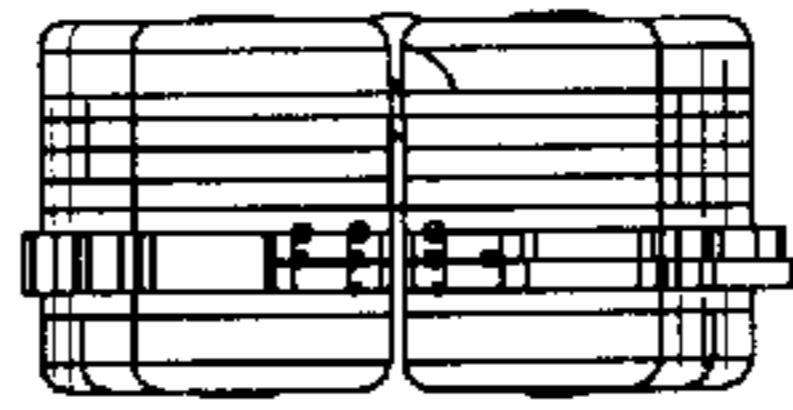


Fig. 3



Fig. 2

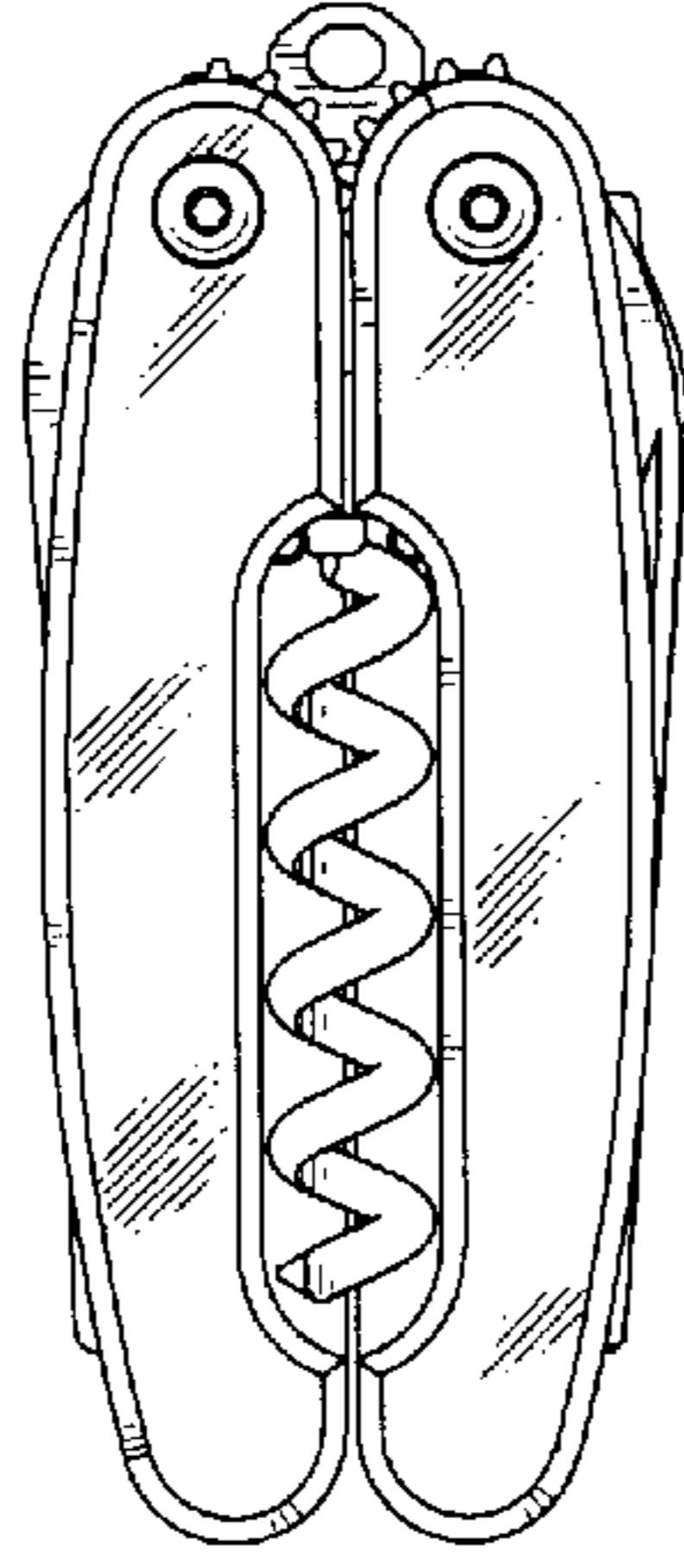


Fig. 4

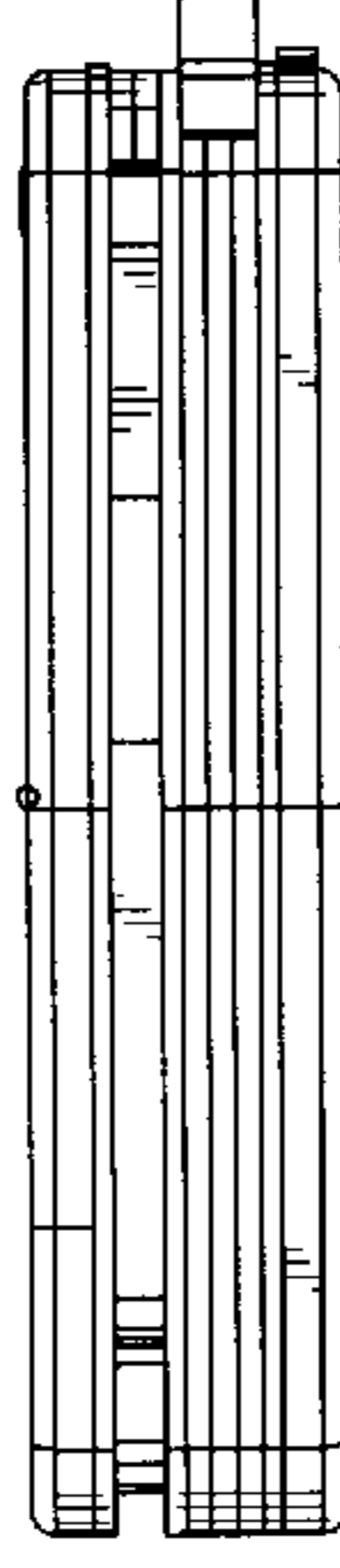


Fig. 7

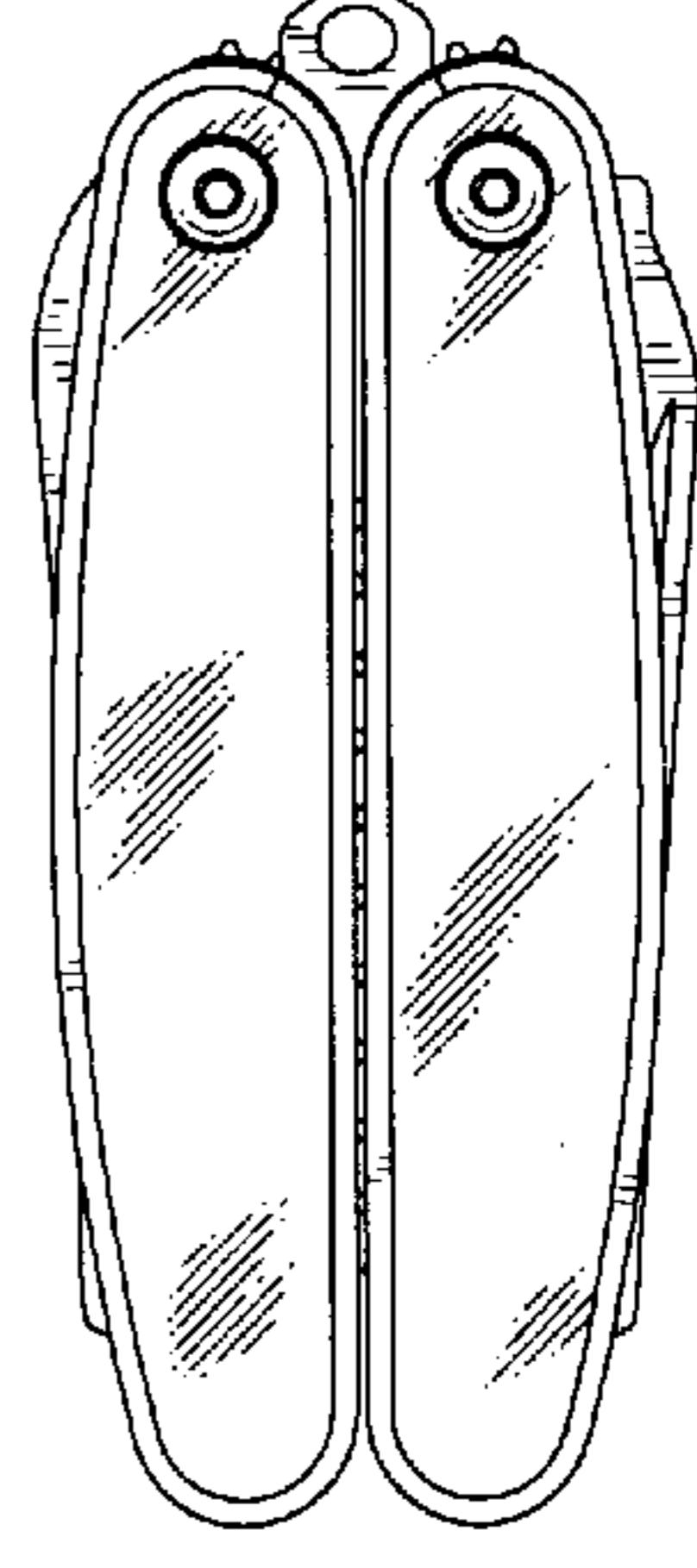


Fig. 5

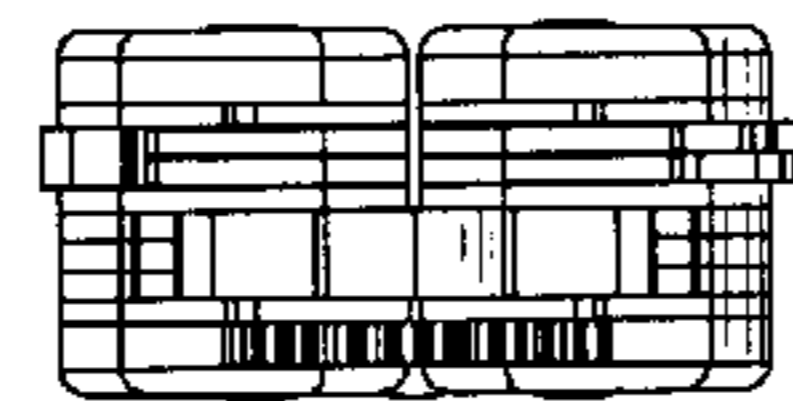


Fig. 8

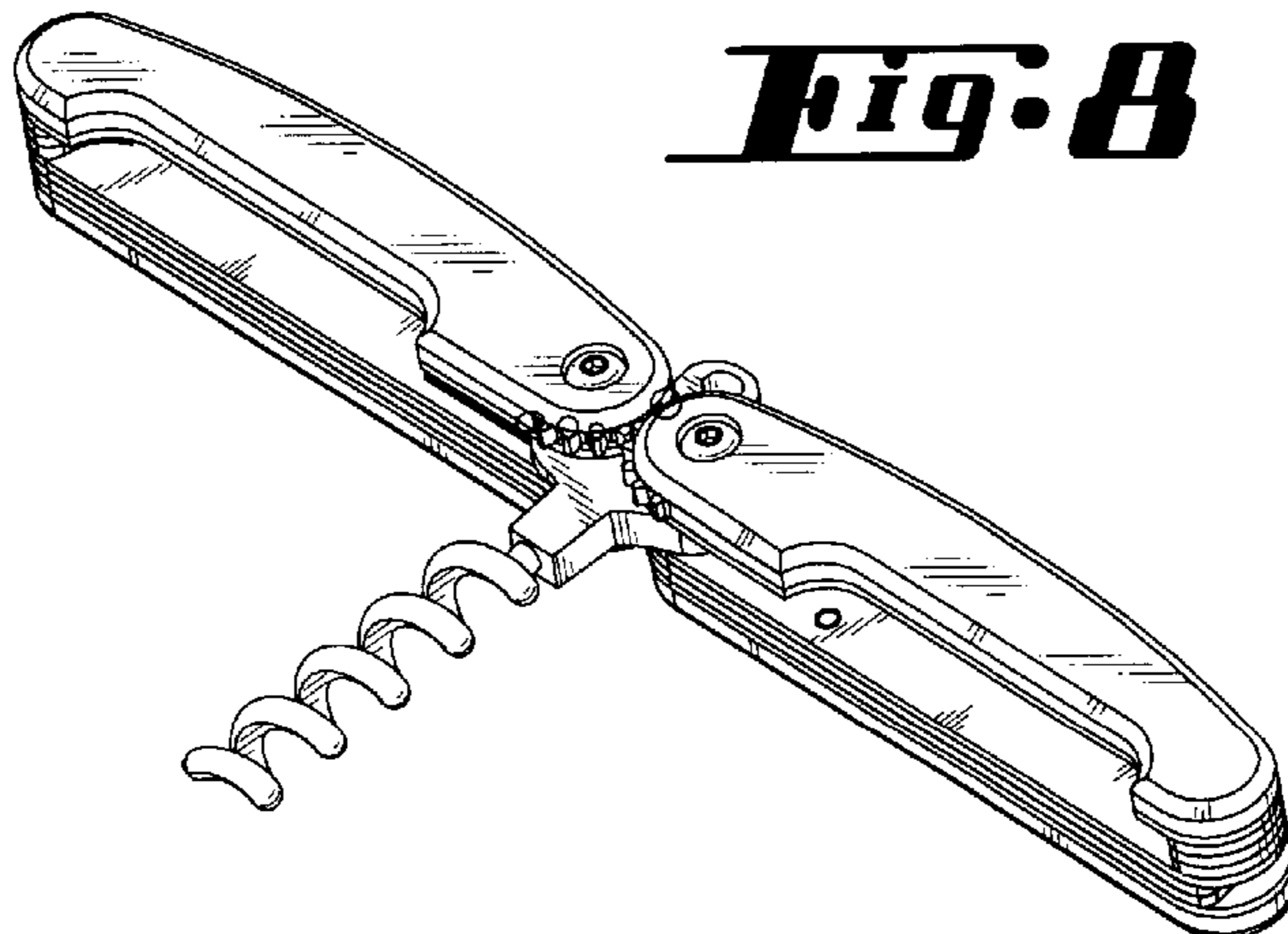


Fig. 12

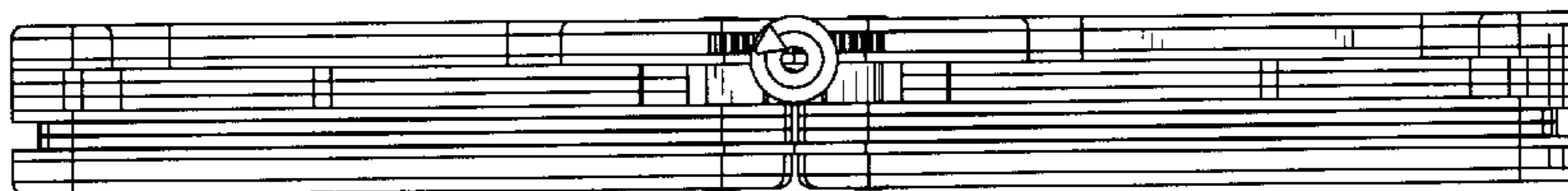


Fig. 10

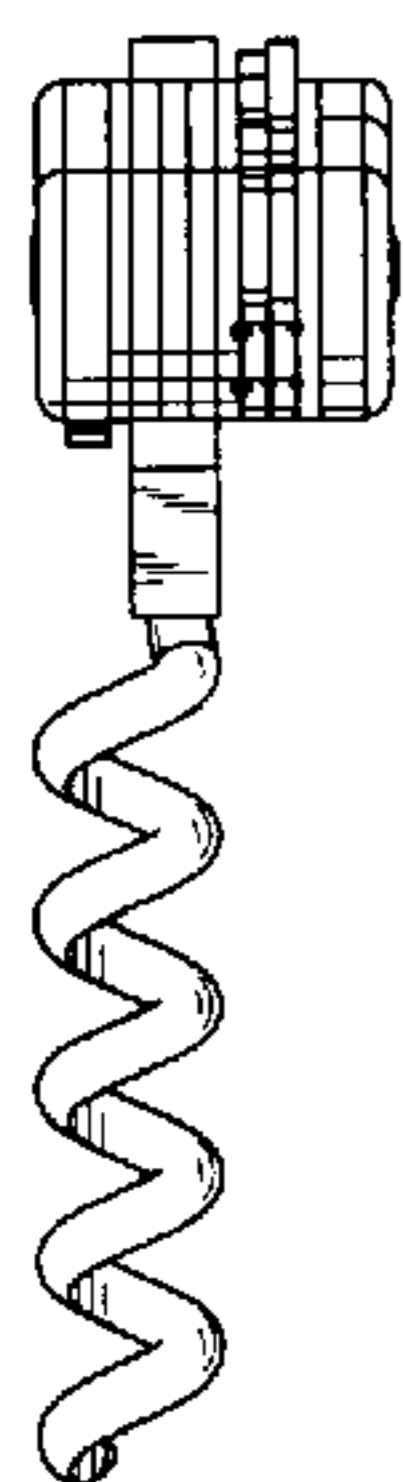


Fig. 9

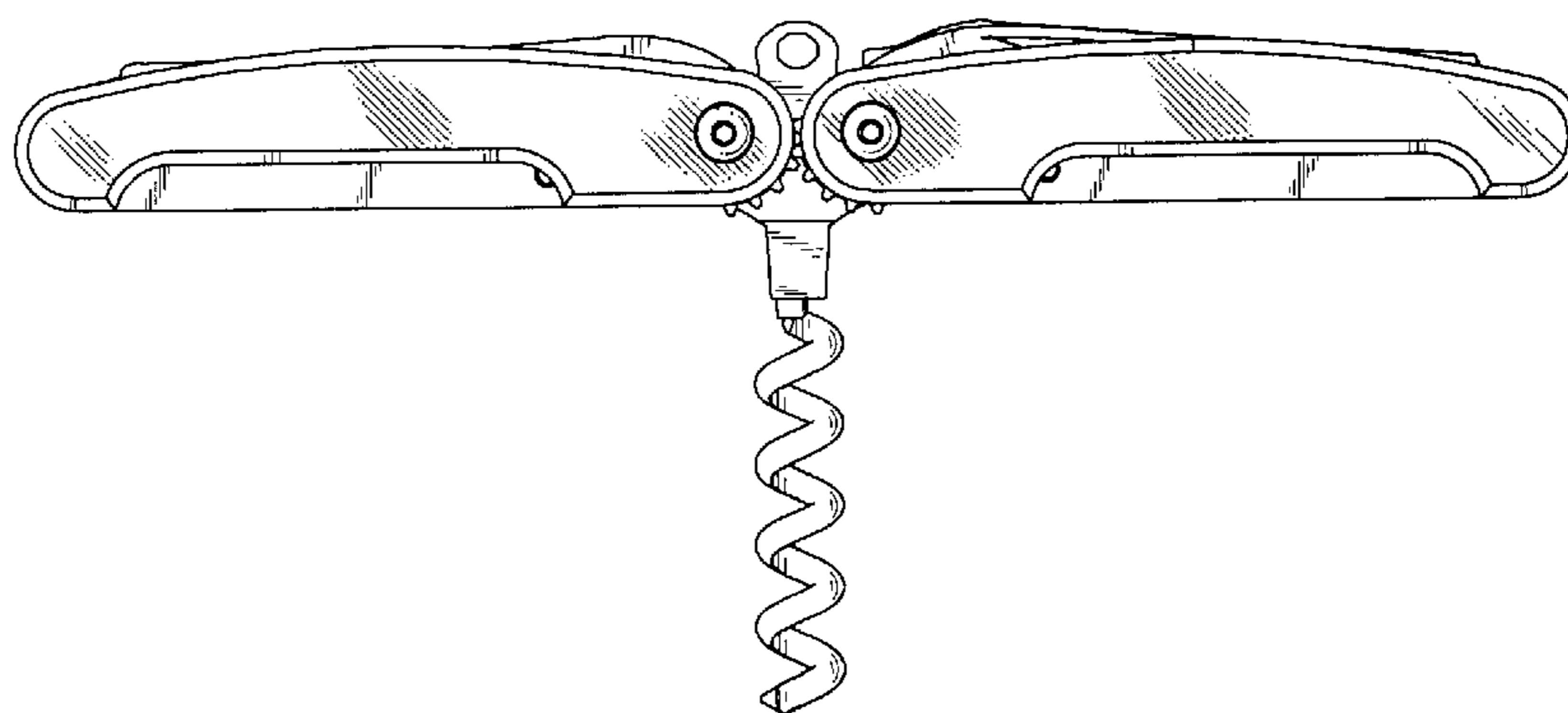


Fig. 11

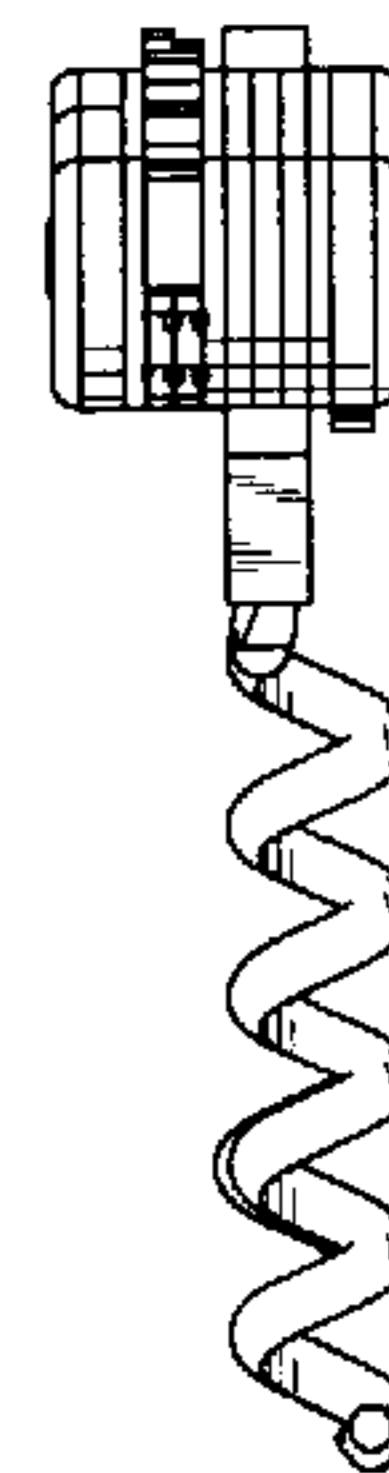


Fig. 13

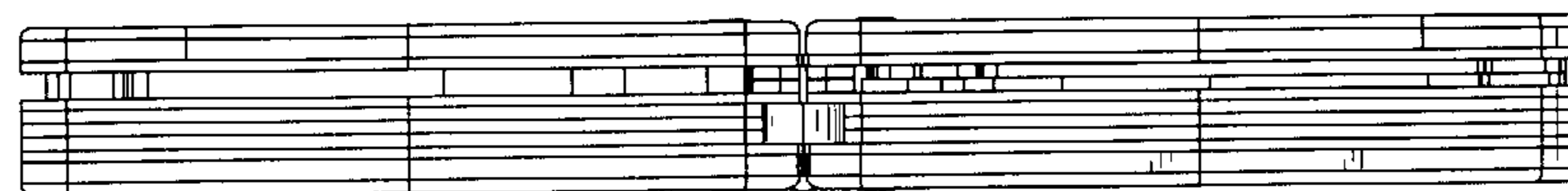
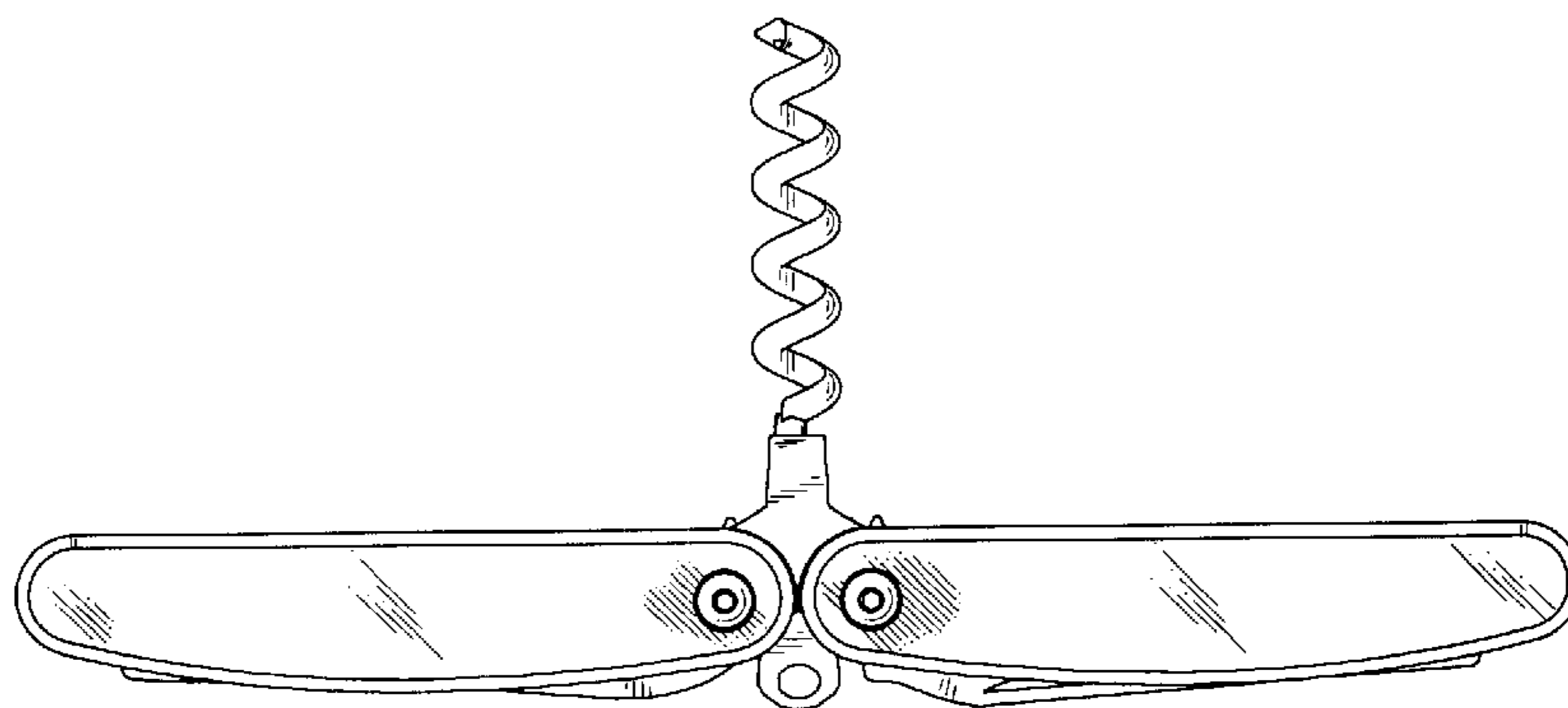


Fig. 14



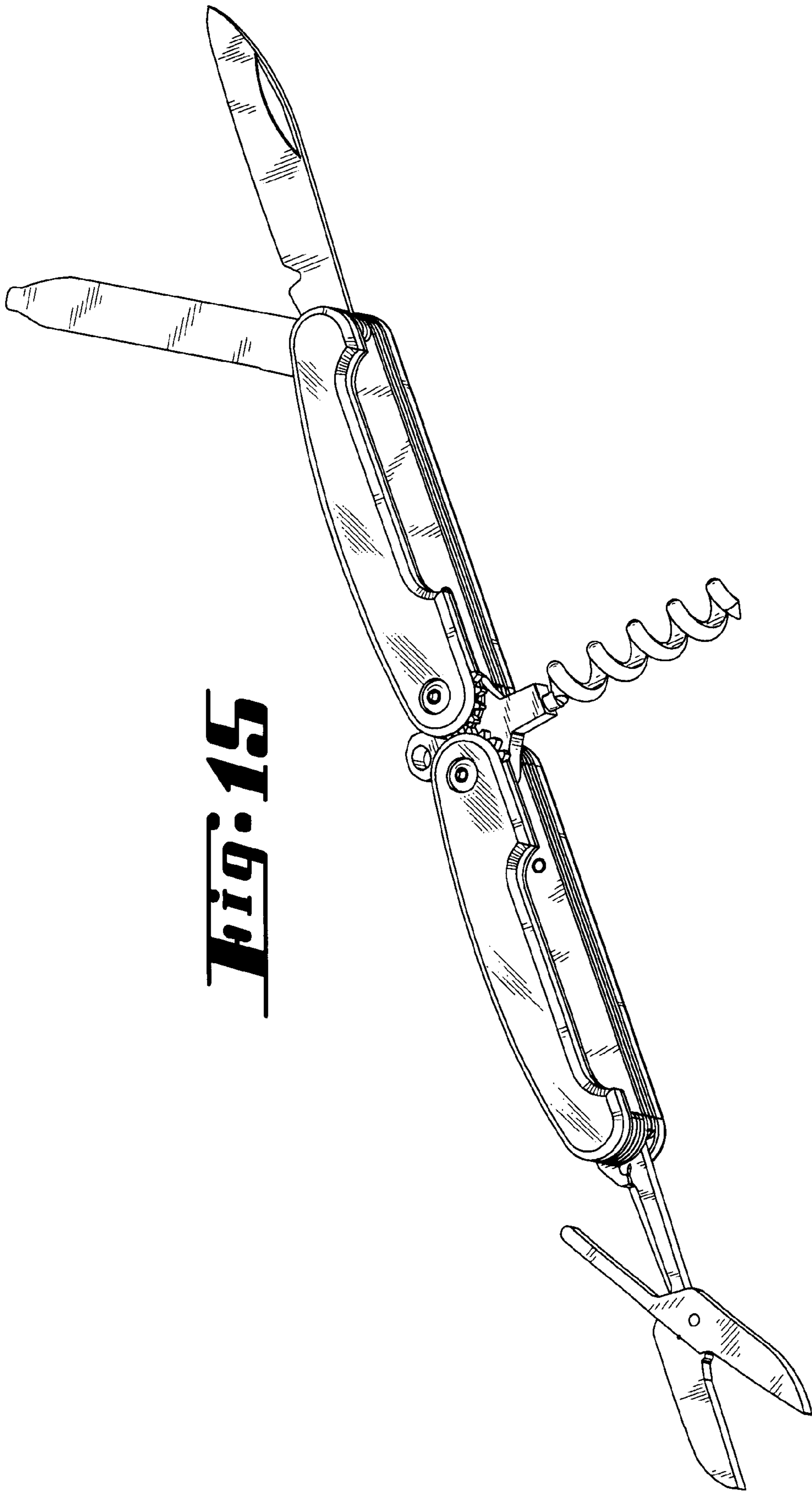


Fig. 15