



US00D479787S

(12) **United States Design Patent**
Degen

(10) **Patent No.:** **US D479,787 S**

(45) **Date of Patent:** **** Sep. 23, 2003**

(54) **SPRING CLAMP WITH SUCTION CUP**

(75) Inventor: **Klemens Degen**, Weibern (DE)

(73) Assignee: **wolcraft GmbH**, Kempenich (DE)

(**) Term: **14 Years**

(21) Appl. No.: **29/168,303**

(22) Filed: **Sep. 30, 2002**

(30) **Foreign Application Priority Data**

Apr. 10, 2002 (DE) 4 02 03 258

(51) **LOC (7) Cl.** **08-05**

(52) **U.S. Cl.** **D8/72**

(58) **Field of Search** D8/71-74, 52,
D8/54, 55, 58; 81/300, 302, 415, 416; 269/6,
81, 96; 248/313, 316.1, 316.5; 24/489,
499, 500, 508, 510, 511

(56) **References Cited**

U.S. PATENT DOCUMENTS

- 803,668 A * 11/1905 Clendenon 81/424
- D195,589 S * 7/1963 Charniga D8/71
- 6,073,897 A * 6/2000 Warren et al. 248/313
- 6,185,795 B1 * 2/2001 Shui-Shang 24/510
- 6,212,977 B1 * 4/2001 Liou 81/302

D457,409 S * 5/2002 Noniewicz D8/72

* cited by examiner

Primary Examiner—Louis S. Zarfaz

Assistant Examiner—Deanne Levy

(74) *Attorney, Agent, or Firm*—Bell, Boyd & Lloyd LLC

(57) **CLAIM**

The ornamental design for the spring clamp with suction cup, as shown and described.

DESCRIPTION

FIG. 1 is a front view of the spring clamp with suction cup of the claimed design.

FIG. 2 is a left side view of the spring clamp with suction cup of FIG. 1.

FIG. 3 is a top view of the spring clamp with suction cup of FIG. 1.

FIG. 4 is a right side view of the spring clamp with suction cup of FIG. 1.

FIG. 5 is a rear view of the spring clamp with suction cup of FIG. 1.

FIG. 6 is a bottom view of the spring clamp with suction cup of FIG. 1; and,

FIG. 7 is a perspective view of the spring clamp with suction cup of FIG. 1.

1 Claim, 2 Drawing Sheets

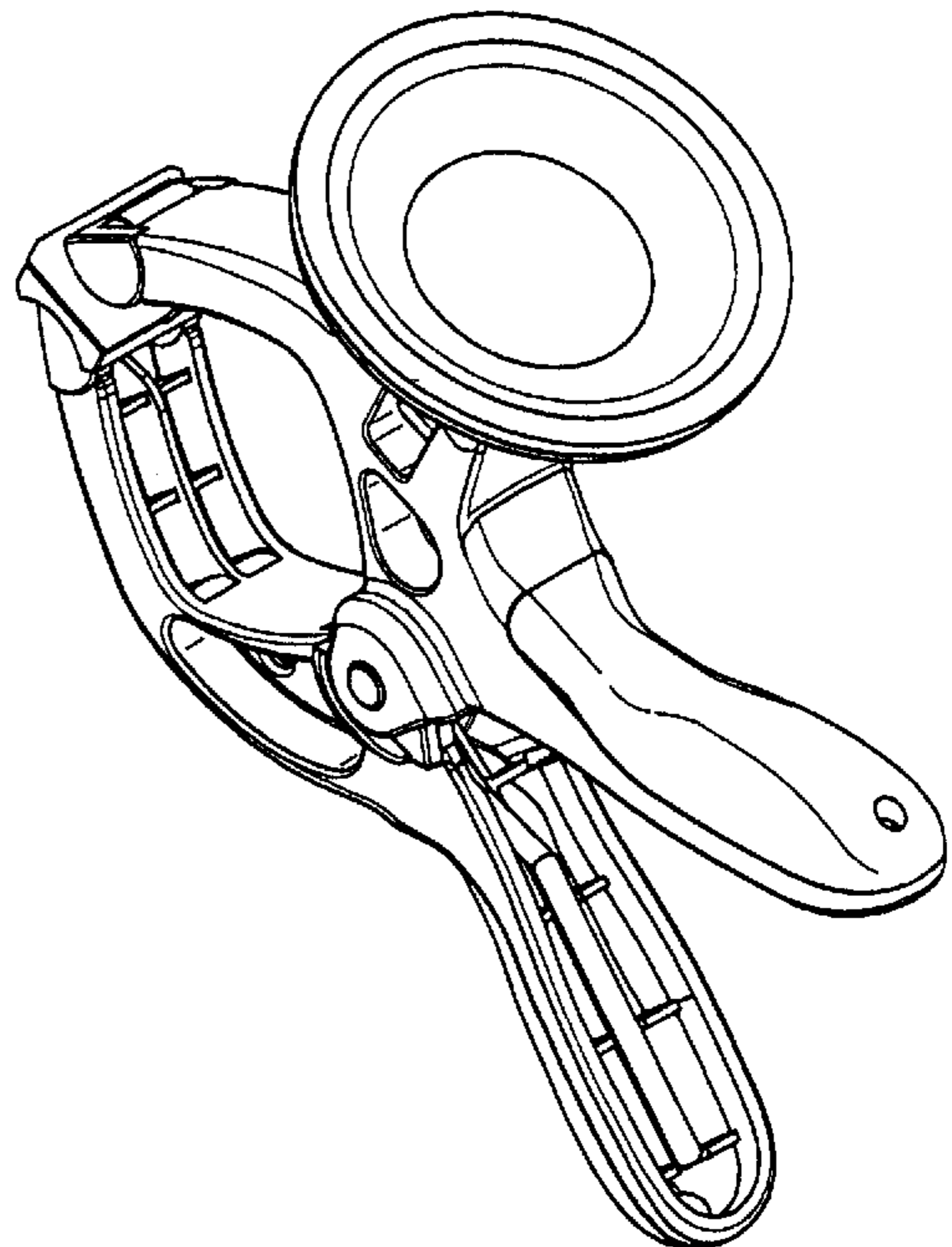
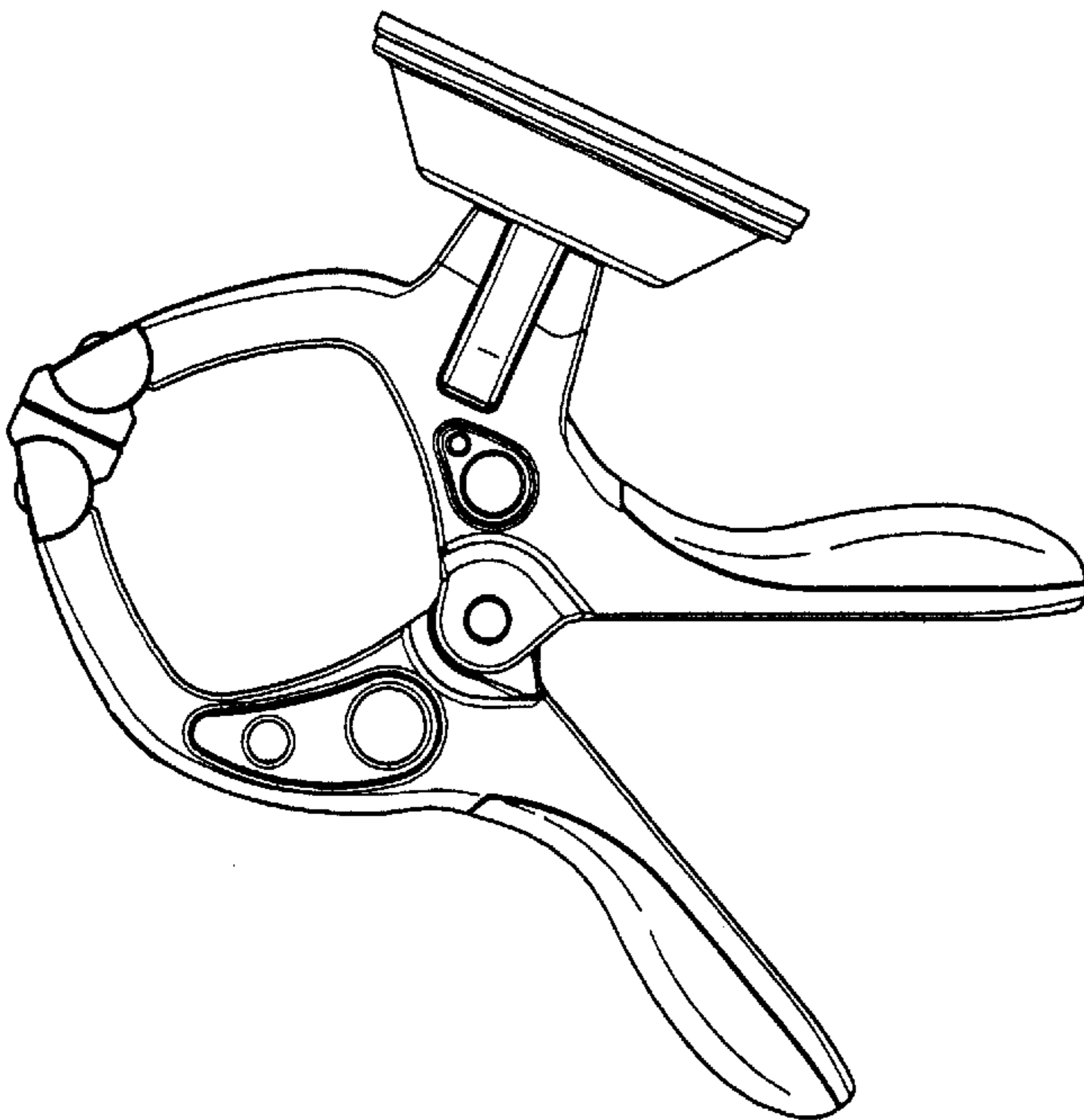


Fig. 2

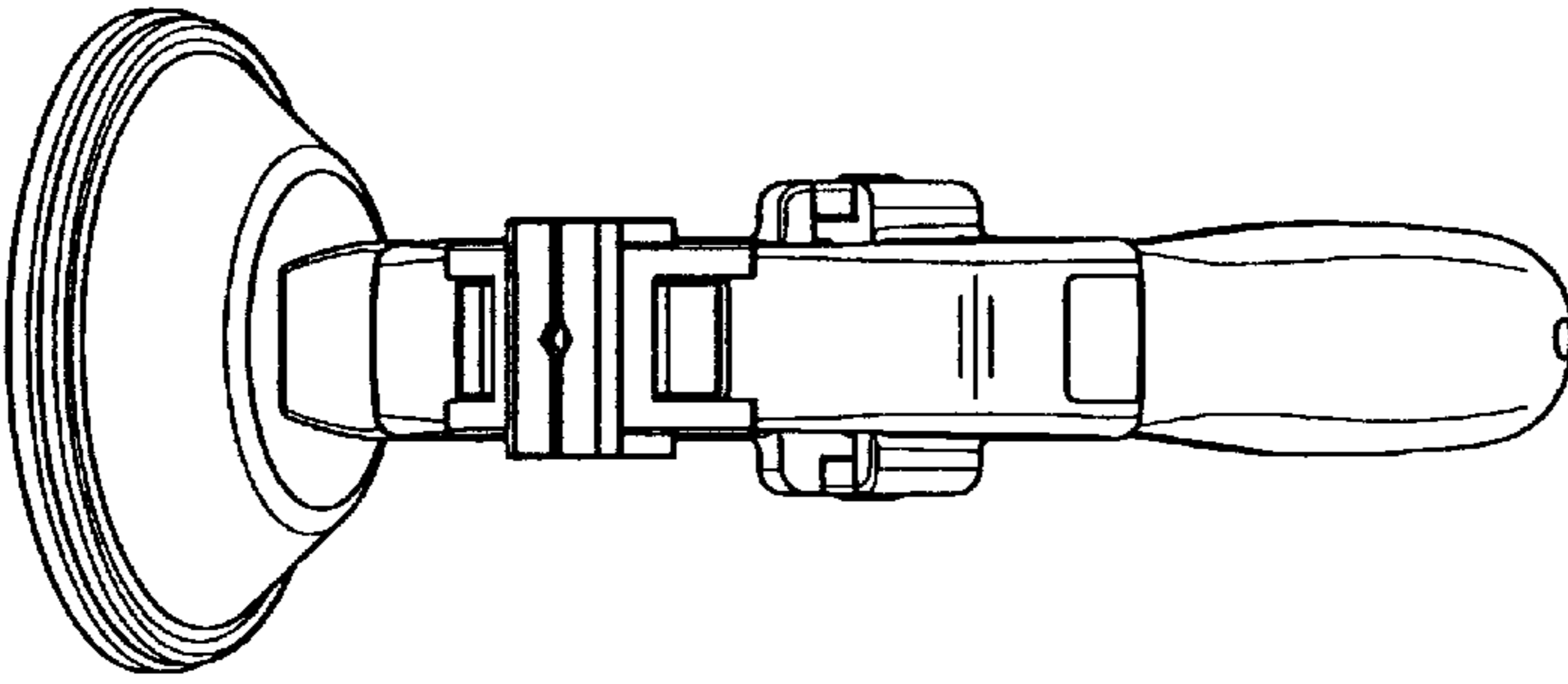


Fig. 1

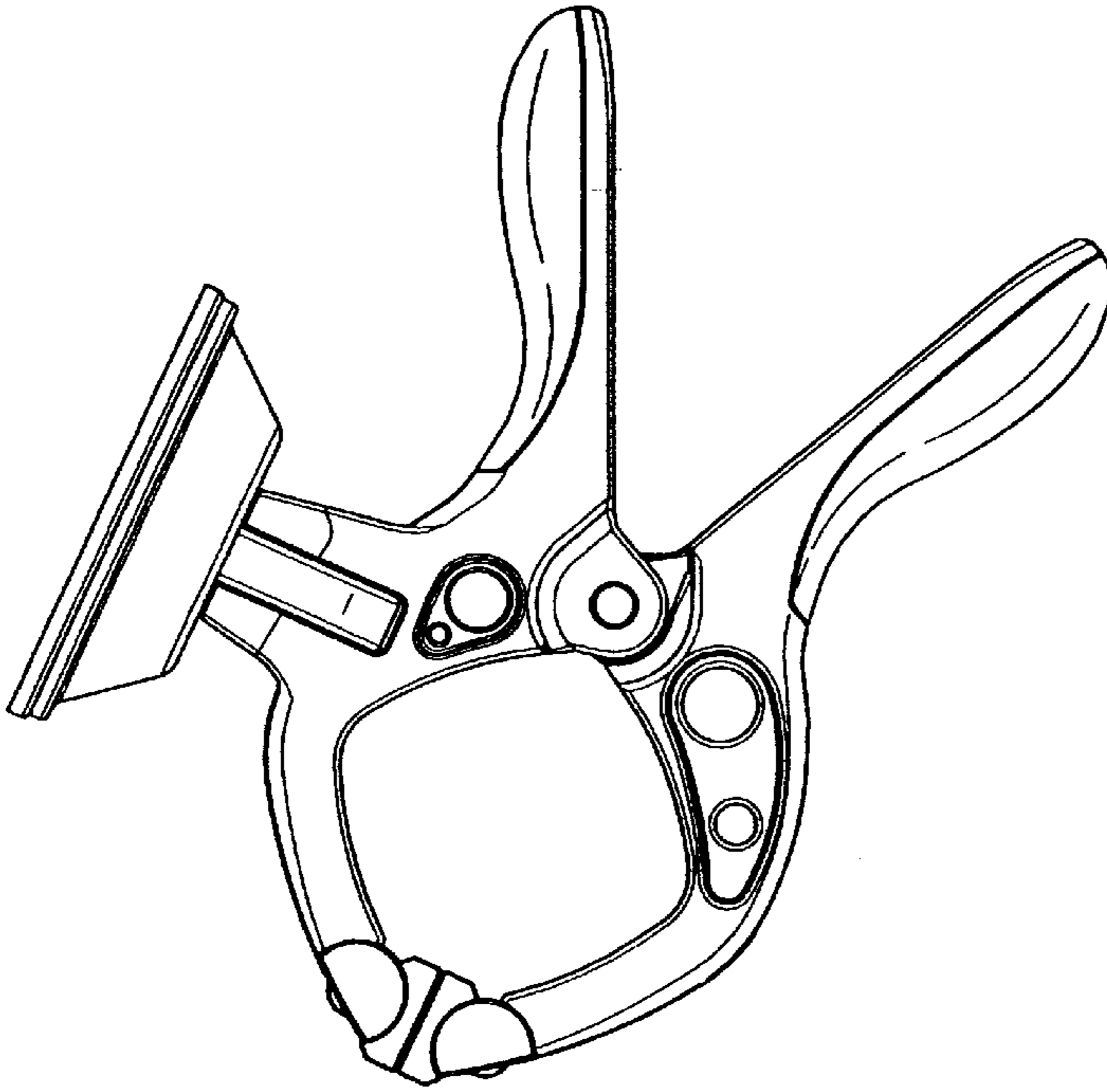


Fig. 3

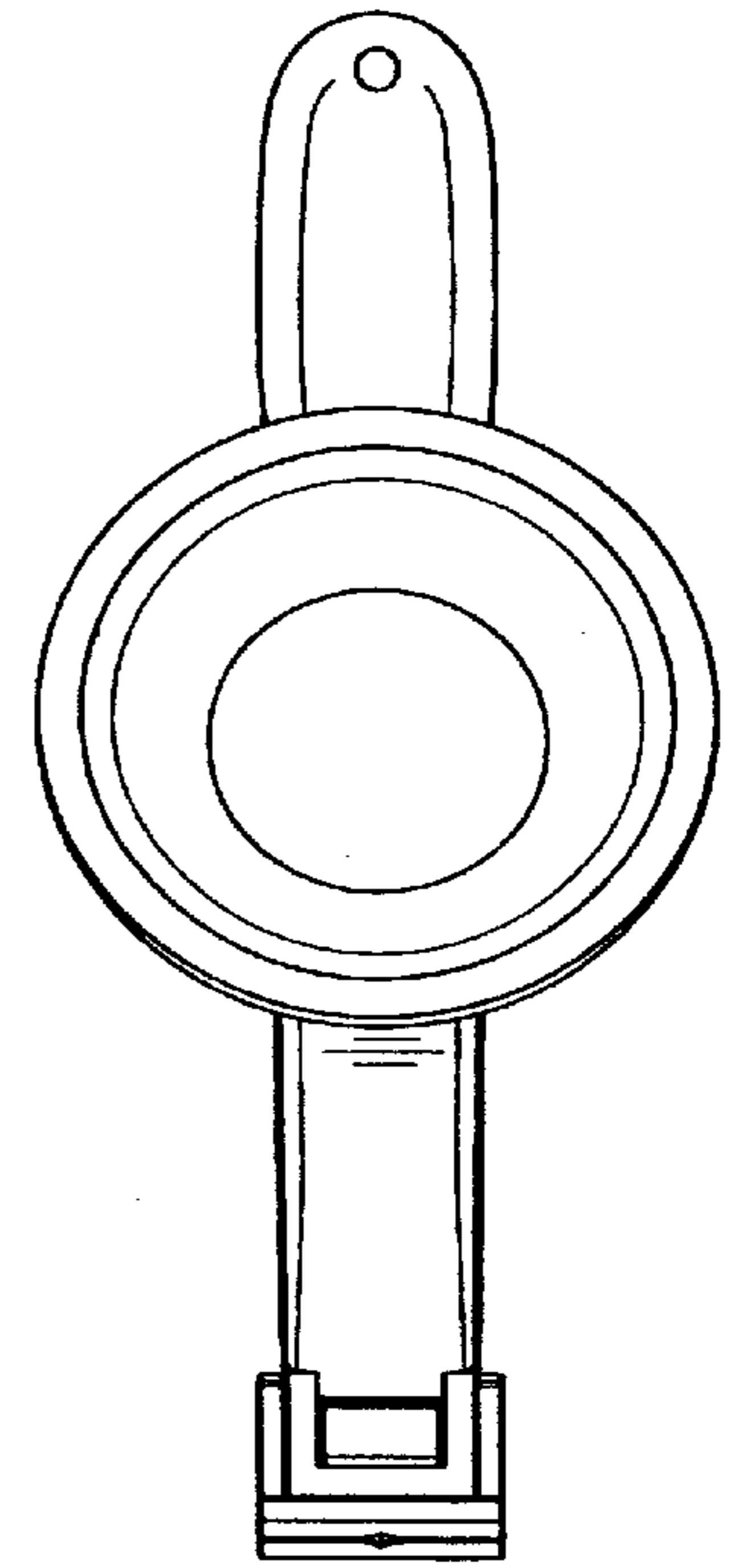


Fig. 4

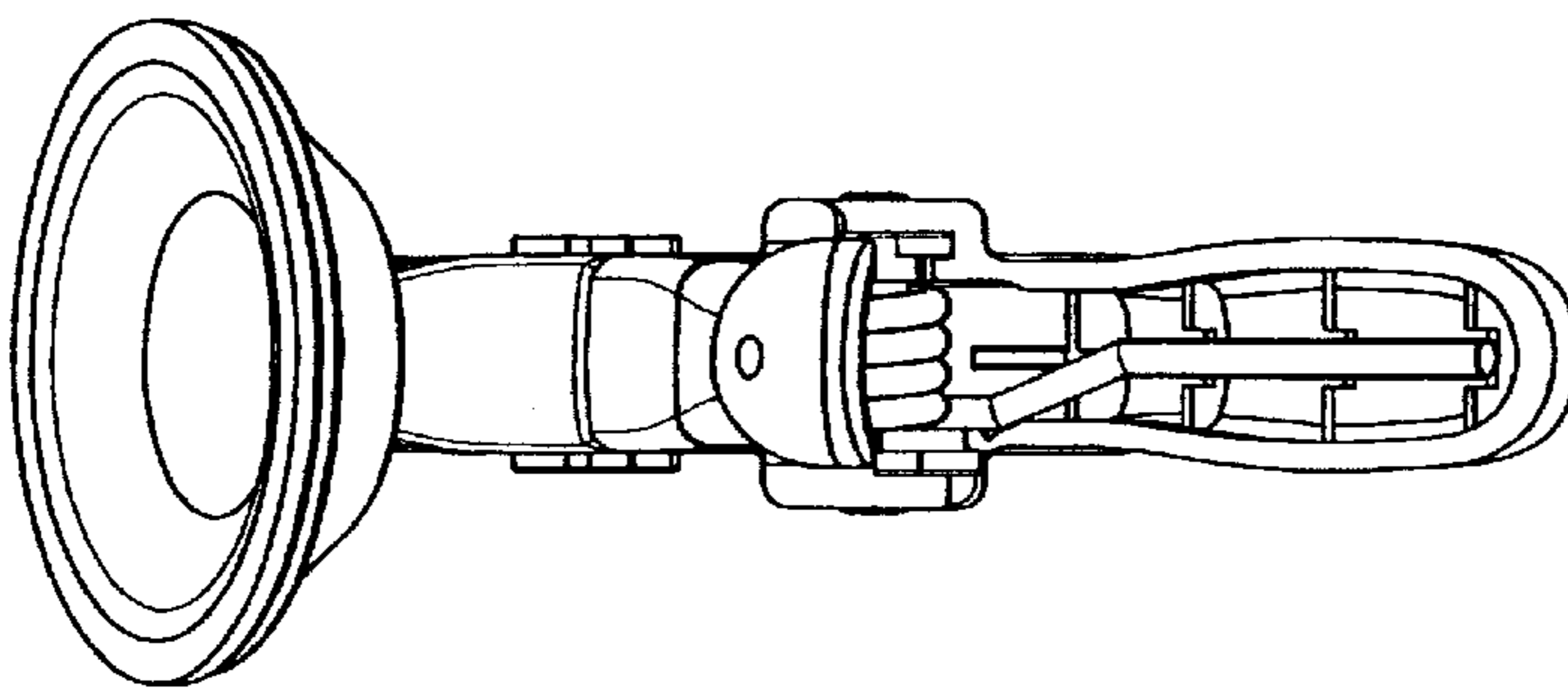


Fig. 7

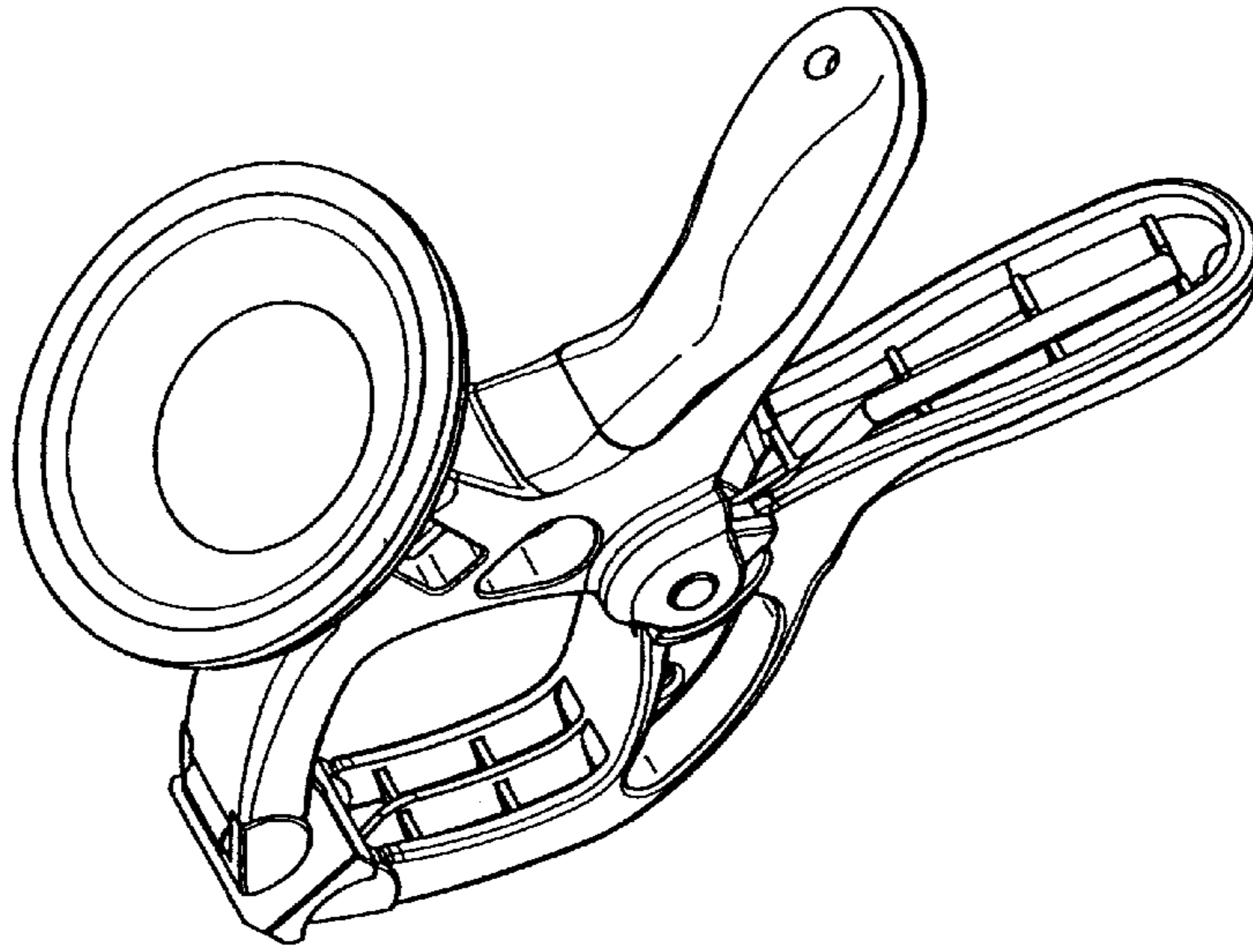


Fig. 5

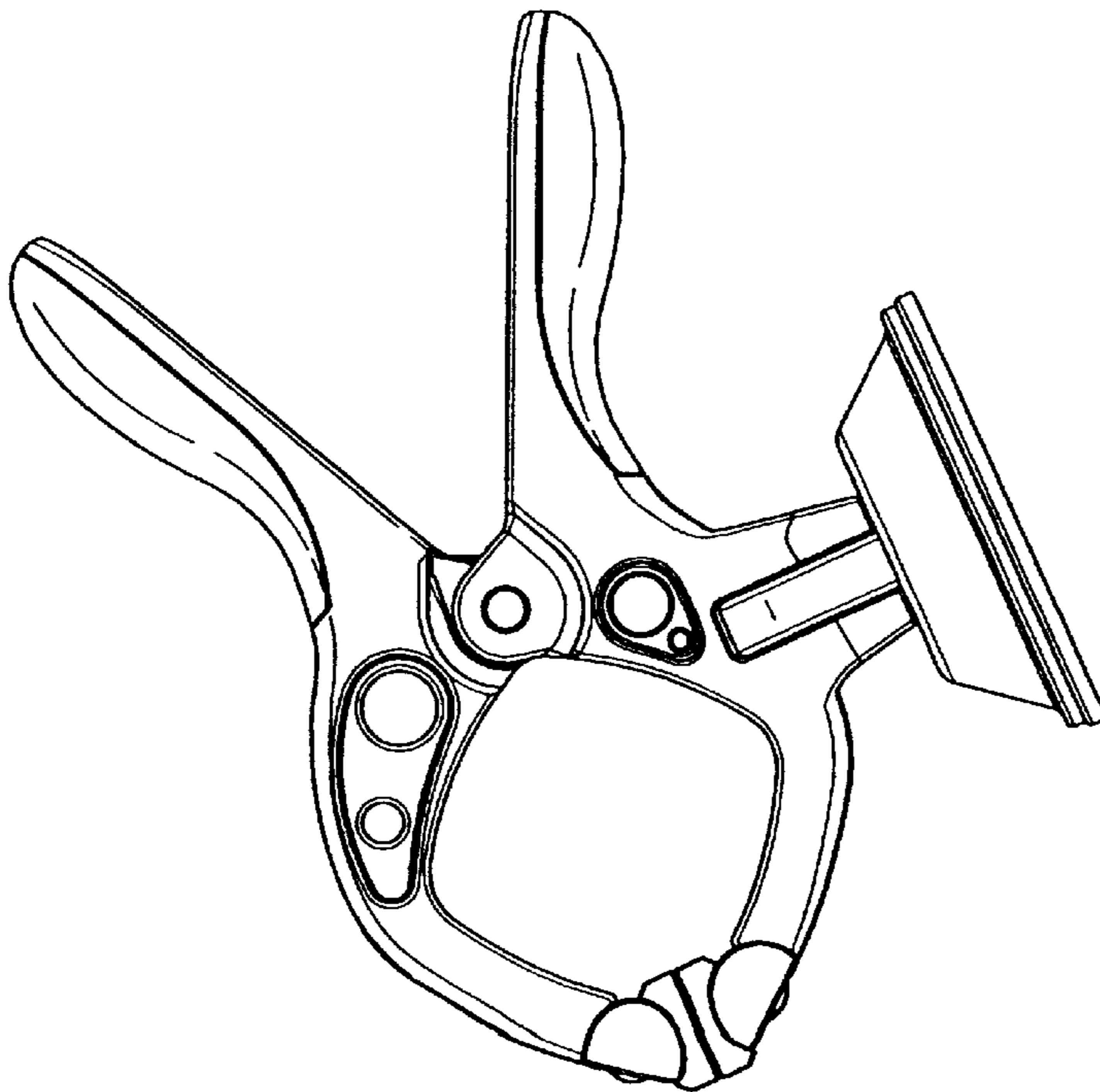


Fig. 6

