



US00D479785S

(12) **United States Design Patent**
Schuler

(10) **Patent No.:** **US D479,785 S**

(45) **Date of Patent:** **** Sep. 23, 2003**

(54) **COMBINATION FOOD JAR WITH
DETACHABLE CUP**

(75) Inventor: **Daniel Schuler**, Chicago, IL (US)

(73) Assignee: **Thermos L.L.C.**, Schaumburg, IL (US)

(**) Term: **14 Years**

(21) Appl. No.: **29/168,442**

(22) Filed: **Oct. 2, 2002**

(51) **LOC (7) Cl.** **07-01**

(52) **U.S. Cl.** **D7/629; D7/608**

(58) **Field of Search** D7/605-608, 601,
D7/629, 312-321; 62/457.1-457.5, 371;
215/12.1, 12.2, 13.1, 6, 396, 398; 206/216,
217, 223, 541; 220/592.16, 592.17, 592.22,
592.23, 592.27

(56) **References Cited**

U.S. PATENT DOCUMENTS

4,792,994 A	*	12/1988	Aylward	62/457.1
D386,950 S	*	12/1997	Dettmar	D7/608
D406,495 S	*	3/1999	Moran	D7/608
6,032,481 A	*	3/2000	Mosby	62/457.2

* cited by examiner

Primary Examiner—Terry A. Wallace
(74) *Attorney, Agent, or Firm*—Wood, Phillips, Katz, Clark & Mortimer

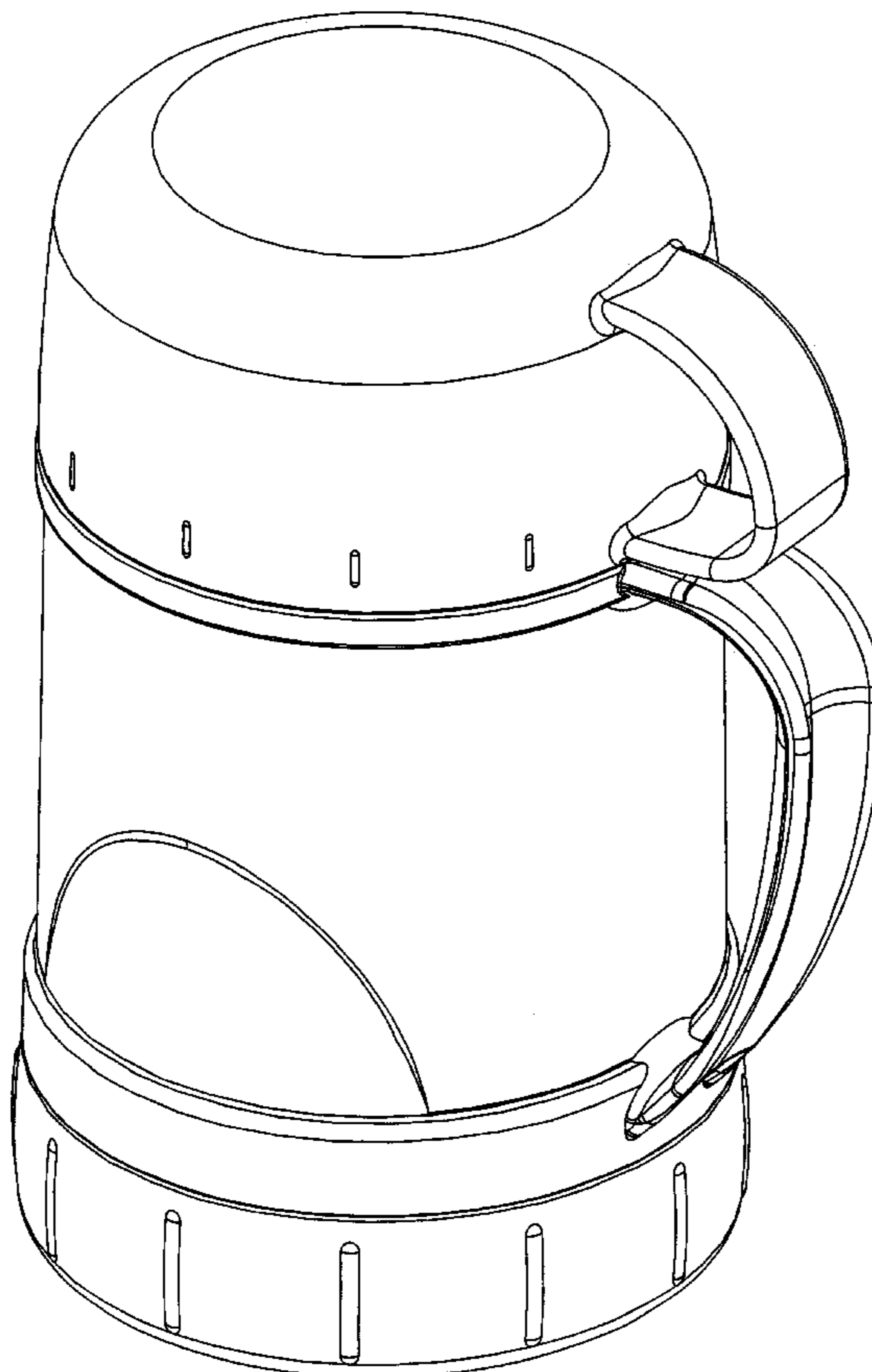
(57) **CLAIM**

The ornamental design of a combination food jar with detachable cup, as shown and described.

DESCRIPTION

FIG. 1 is a perspective view from the bottom and one side of my combination food jar with detachable cup design; FIG. 2 is a perspective view from the top and an opposite side of my combination food jar with detachable cup design; FIG. 3 is a side elevation of my combination food jar with detachable cup design, it being understood that a side elevation of the opposite side is a mirror image of this FIG. 3; FIG. 4 is a front elevation of my combination food jar with detachable cup design; FIG. 5 is a side elevation of my combination food jar with detachable cup design; FIG. 6 is a bottom plan view of my combination food jar with detachable cup design; and, FIG. 7 is a top plan view of my combination food jar with detachable cup design.

1 Claim, 7 Drawing Sheets



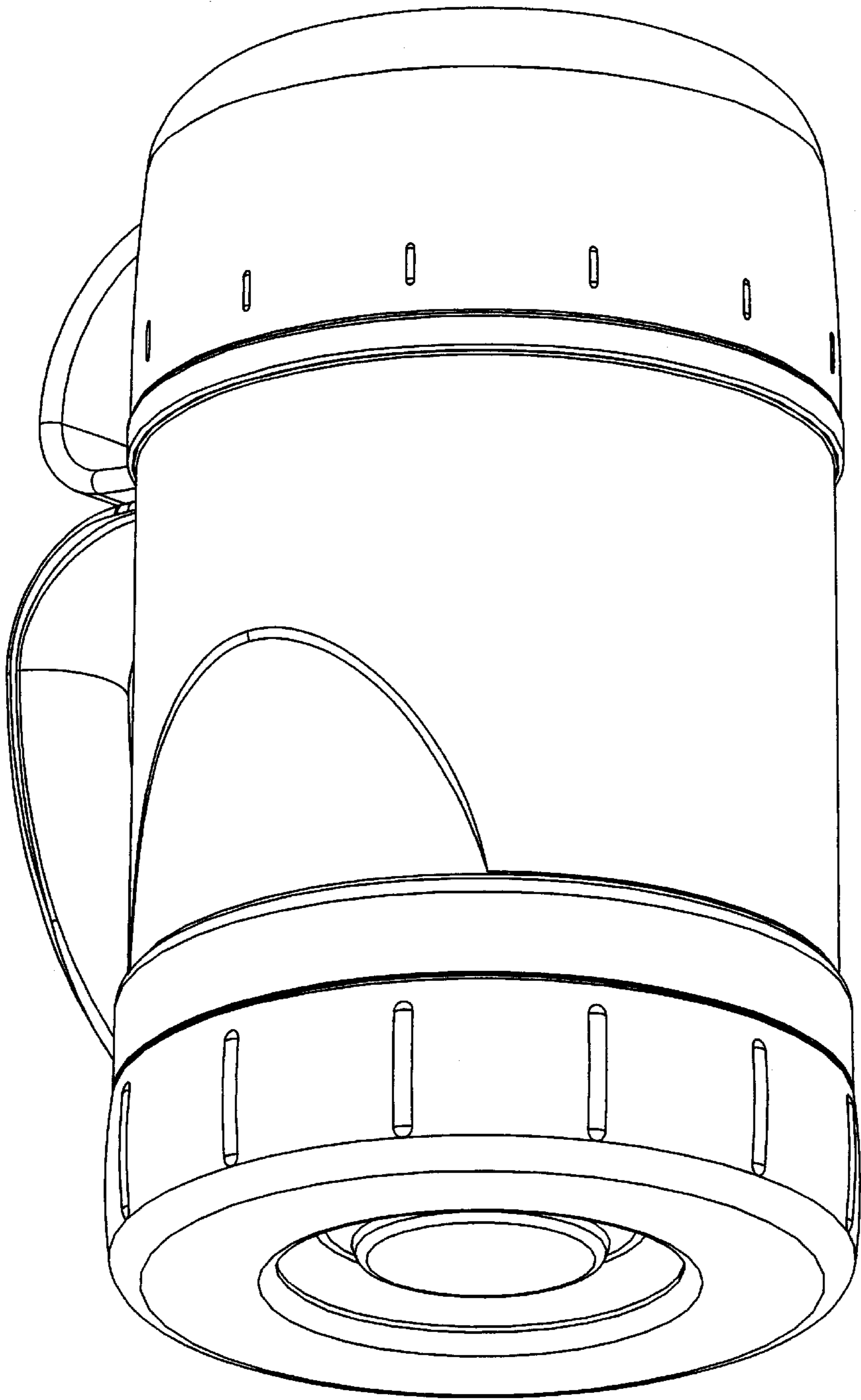


Fig 1

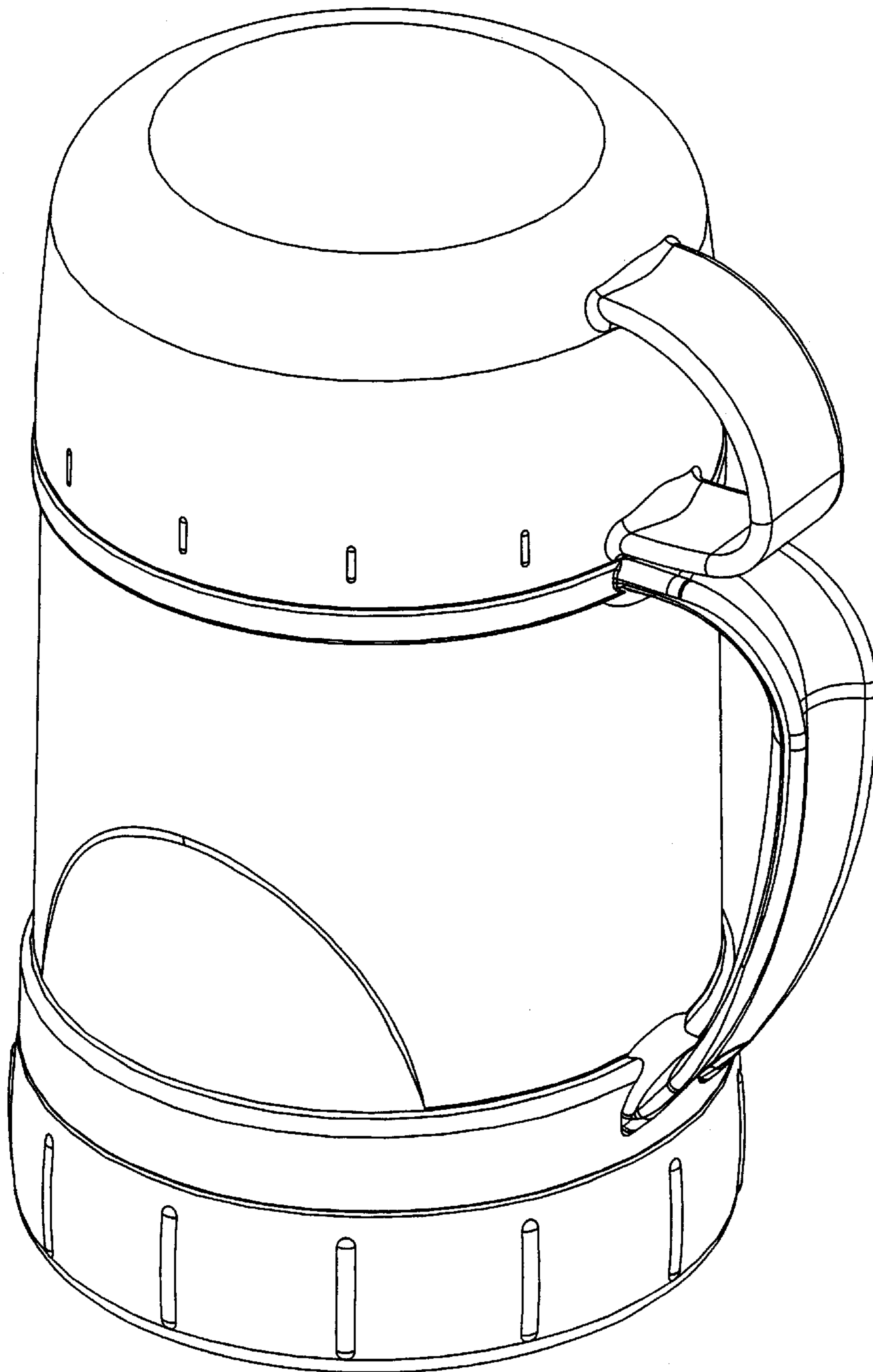


Fig 2

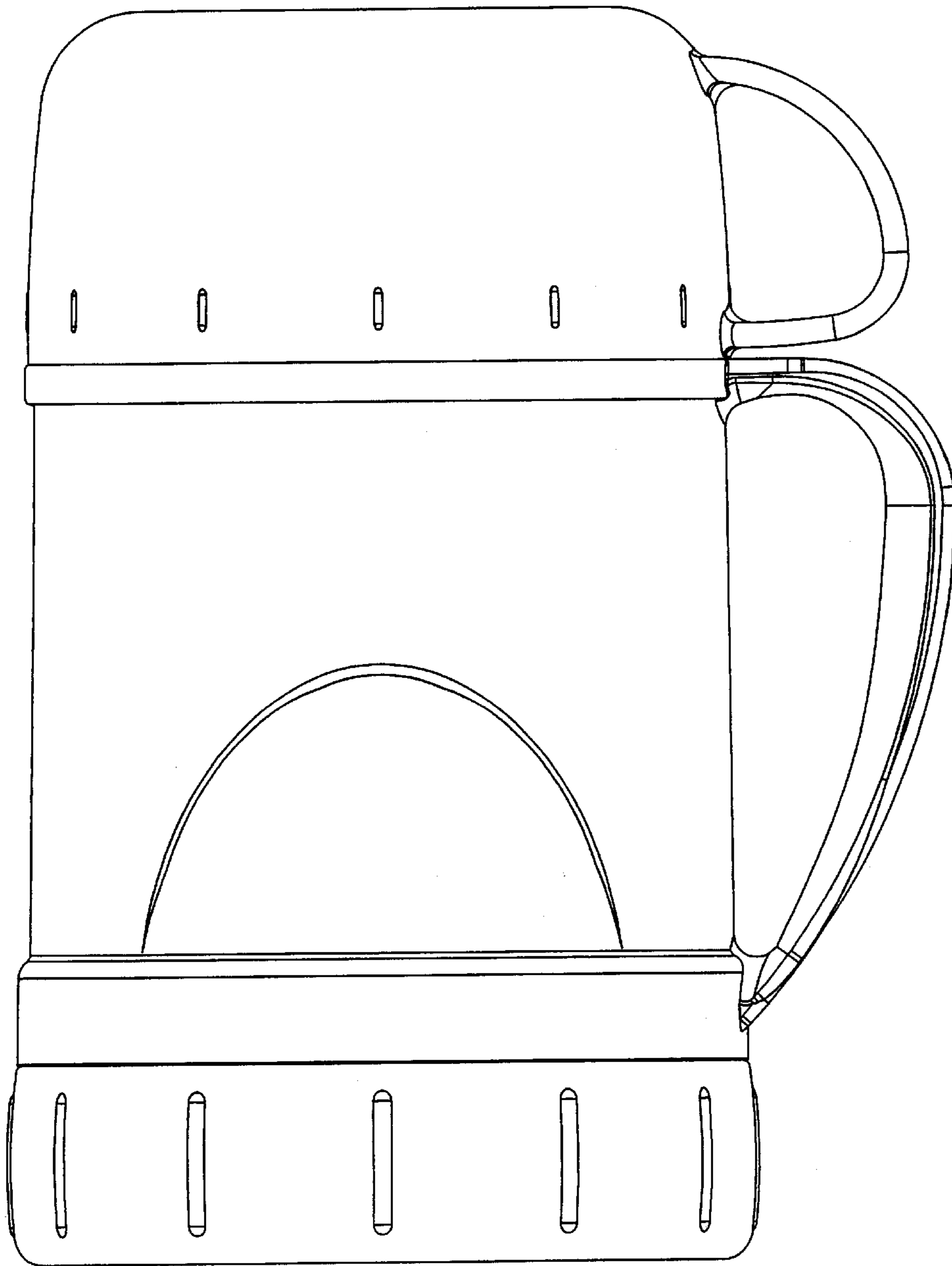


Fig 3

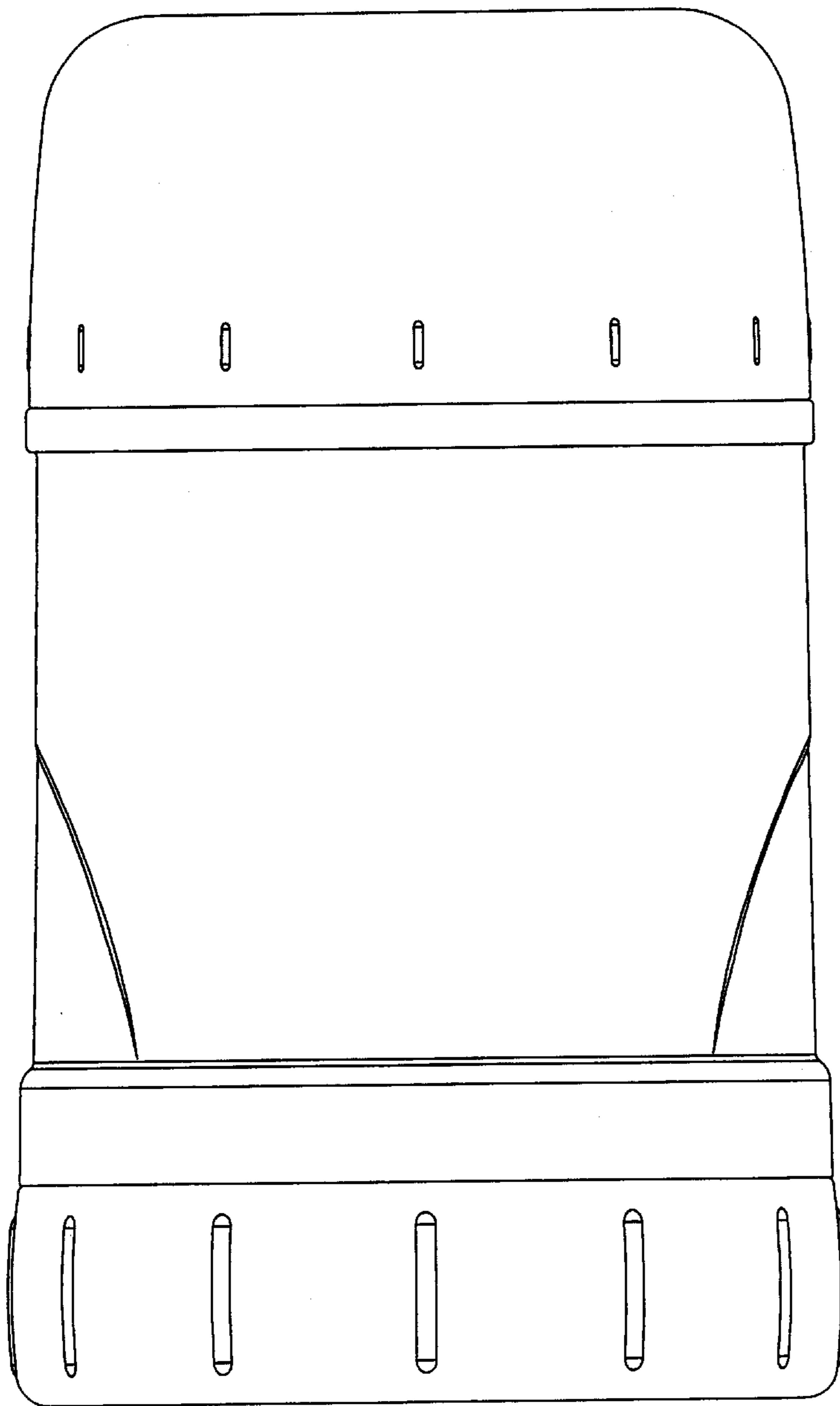


Fig 4

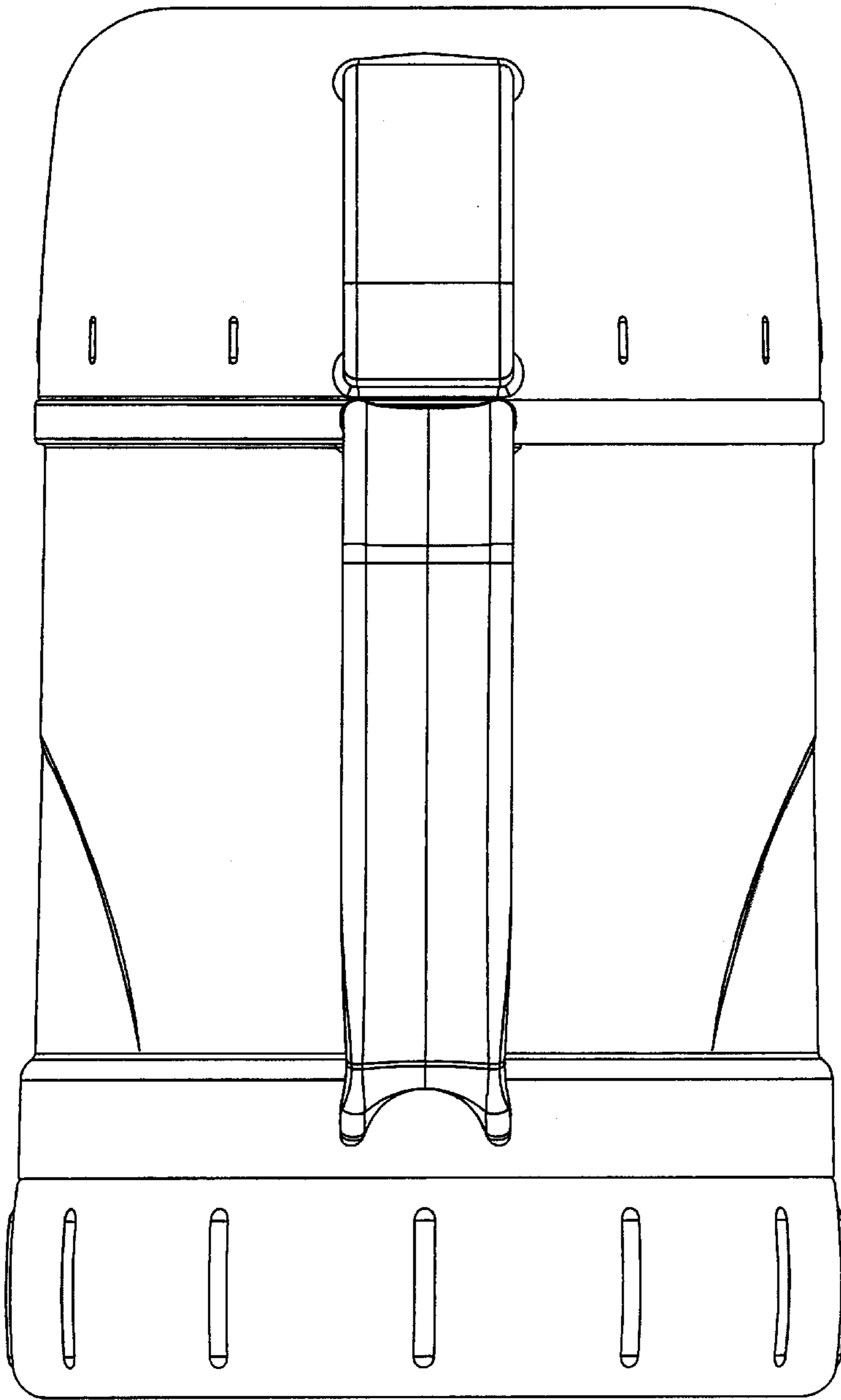


Fig 5

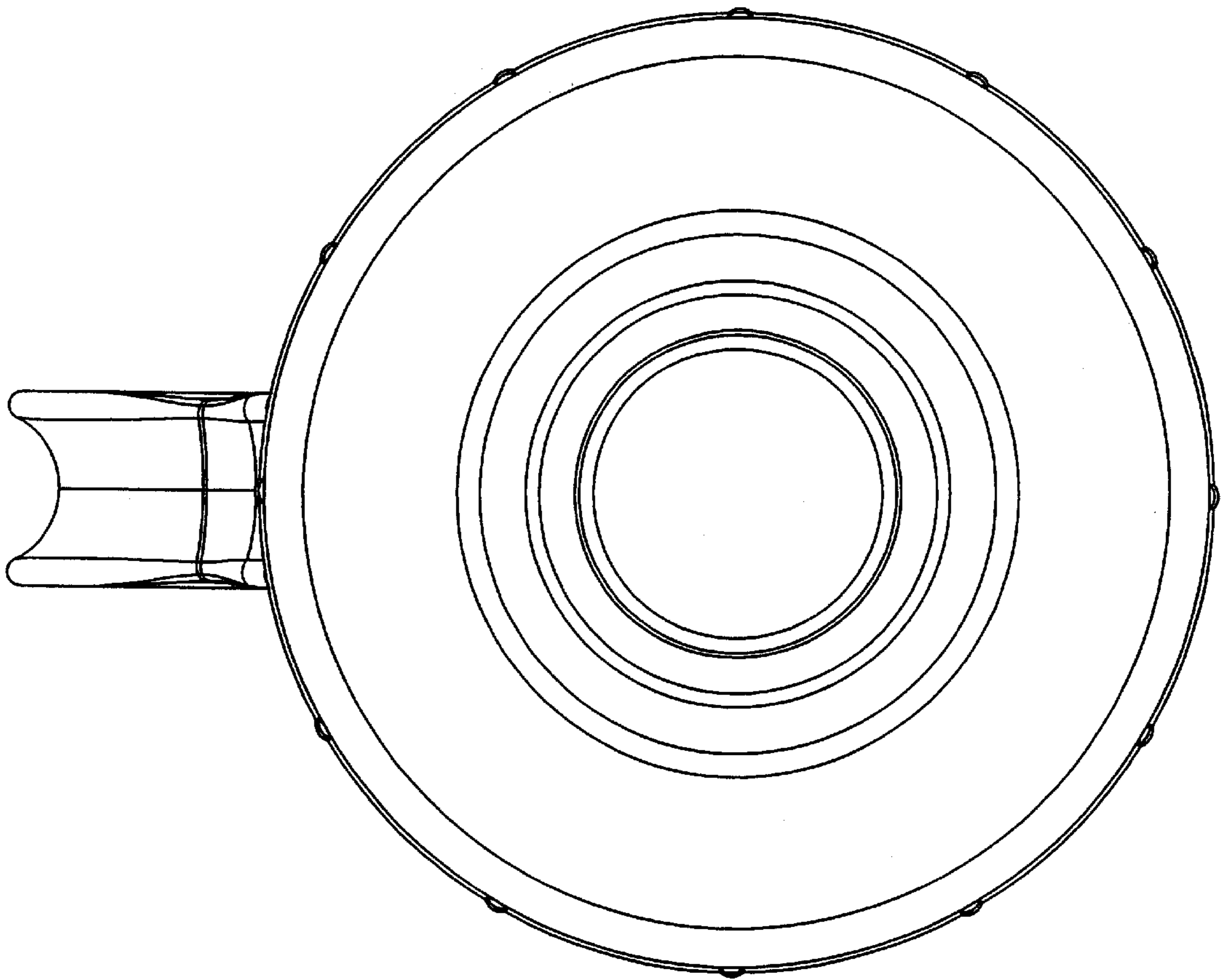


Fig 6

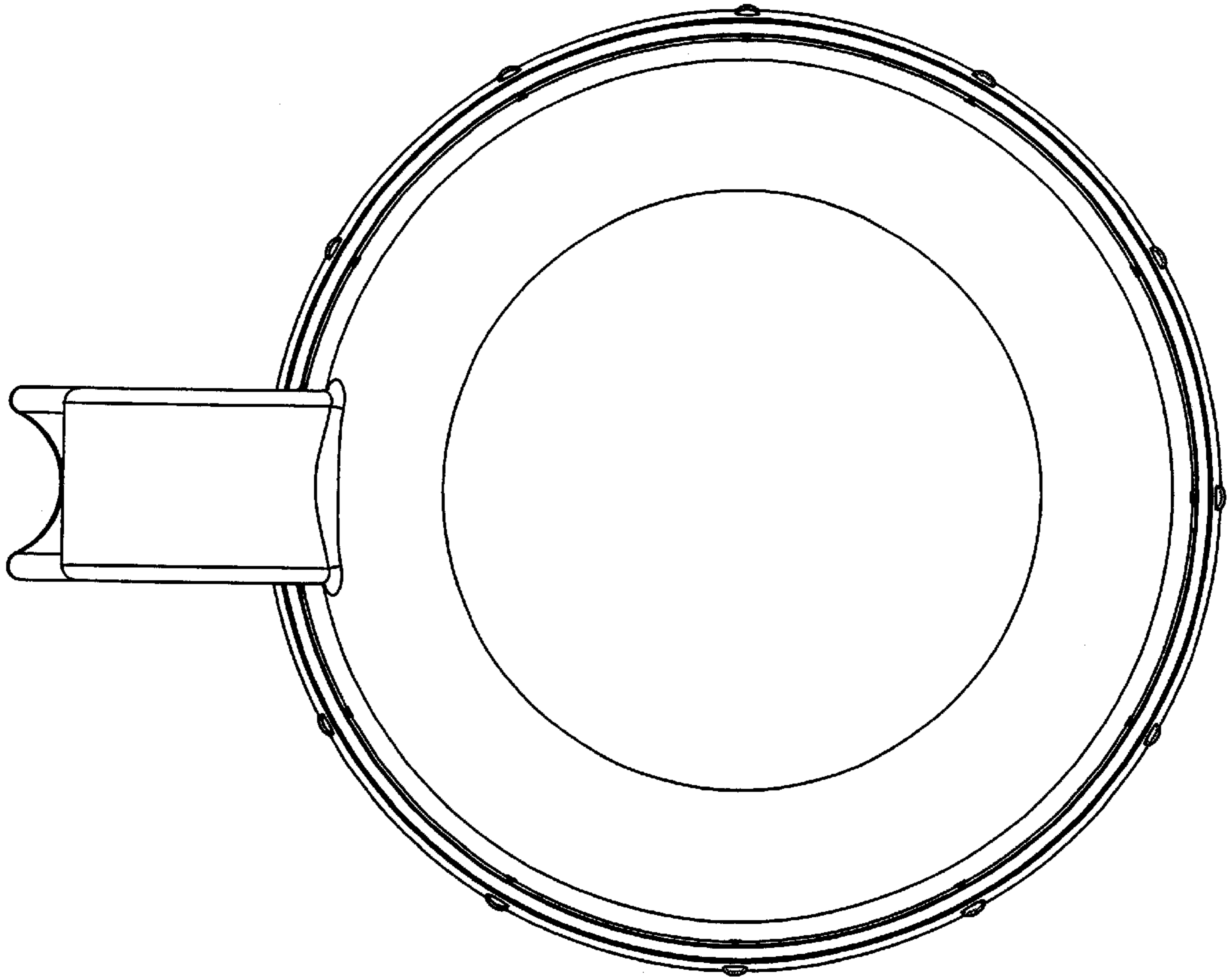


Fig 7