



US00D479784S

(12) **United States Design Patent**  
**Shah**

(10) **Patent No.:** **US D479,784 S**

(45) **Date of Patent:** **\*\* Sep. 23, 2003**

(54) **CONTAINER**

D464,485 S \* 10/2002 Sward et al. .... D3/294

(75) Inventor: **Akshay Shah**, Dar-es-Salaam (TZ)

\* cited by examiner

(73) Assignee: **Innovaxis UK Limited**, Harrow (GB)

*Primary Examiner*—Terry A. Wallace

(\*\*) Term: **14 Years**

(74) *Attorney, Agent, or Firm*—MacMillan, Sobanski & Todd, LLC

(21) Appl. No.: **29/168,008**

(57) **CLAIM**

(22) Filed: **Sep. 25, 2002**

The ornamental design for a container, as shown and described.

(51) **LOC (7) Cl.** ..... **07-01**

**DESCRIPTION**

(52) **U.S. Cl.** ..... **D7/605**; D3/294

FIG. 1 is a perspective view as seen from the front right side of a container showing my new design;

(58) **Field of Search** ..... D7/602, 629, 605–608;  
62/457.1, 457.7, 371, 372; 220/592.2, 592.24,  
592.25, 915.1, 915.2; D3/201, 203, 205,  
206, 273, 274, 294, 302

FIG. 2 is a top plan view thereof;

FIG. 3 is a bottom view thereof;

FIG. 4 is a left end view thereof, with the right end being a mirror image thereof; and,

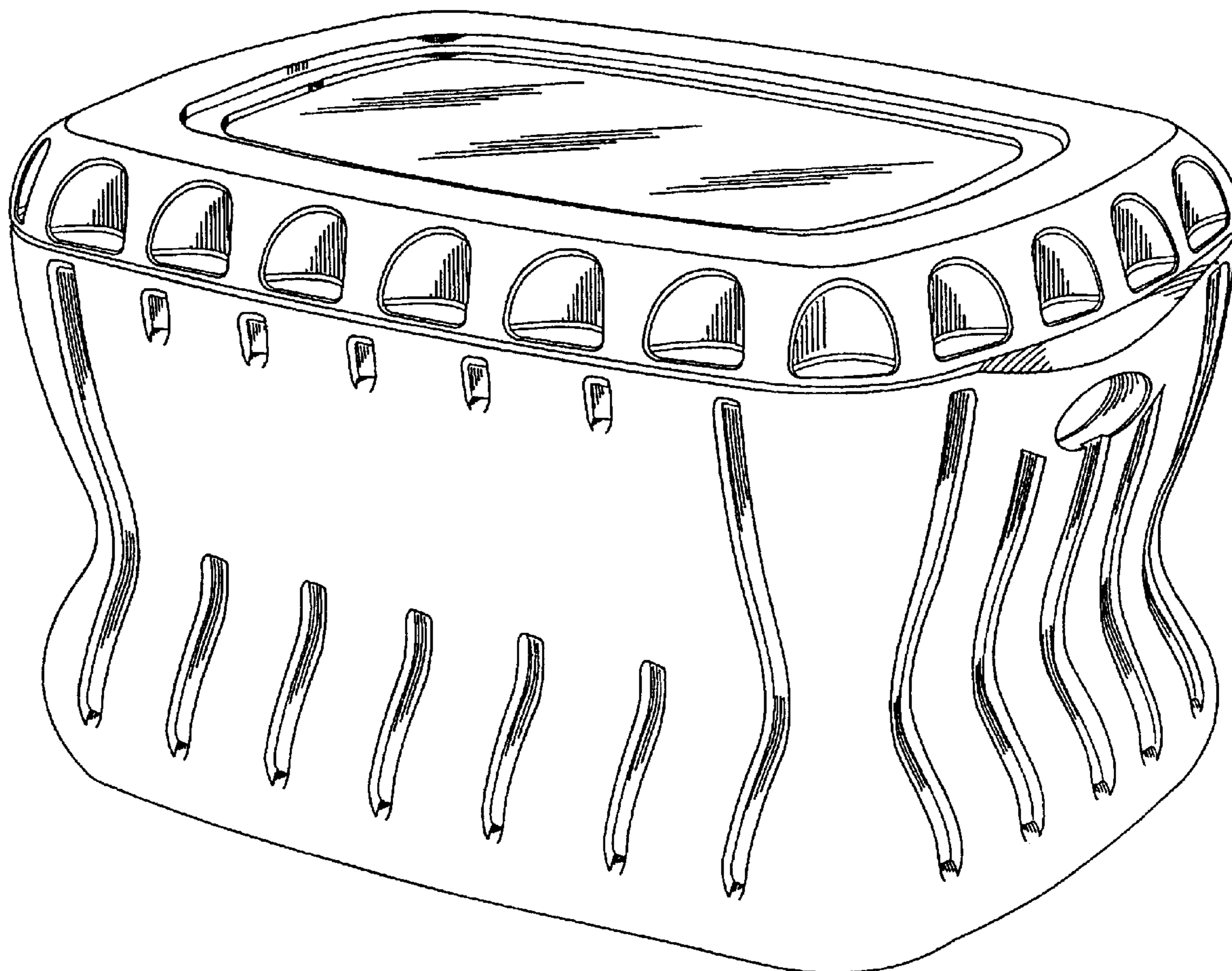
FIG. 5 is a front side view thereof, with the rear side being a mirror image thereof.

(56) **References Cited**

**U.S. PATENT DOCUMENTS**

D381,512 S \* 7/1997 Green ..... D3/294

**1 Claim, 5 Drawing Sheets**



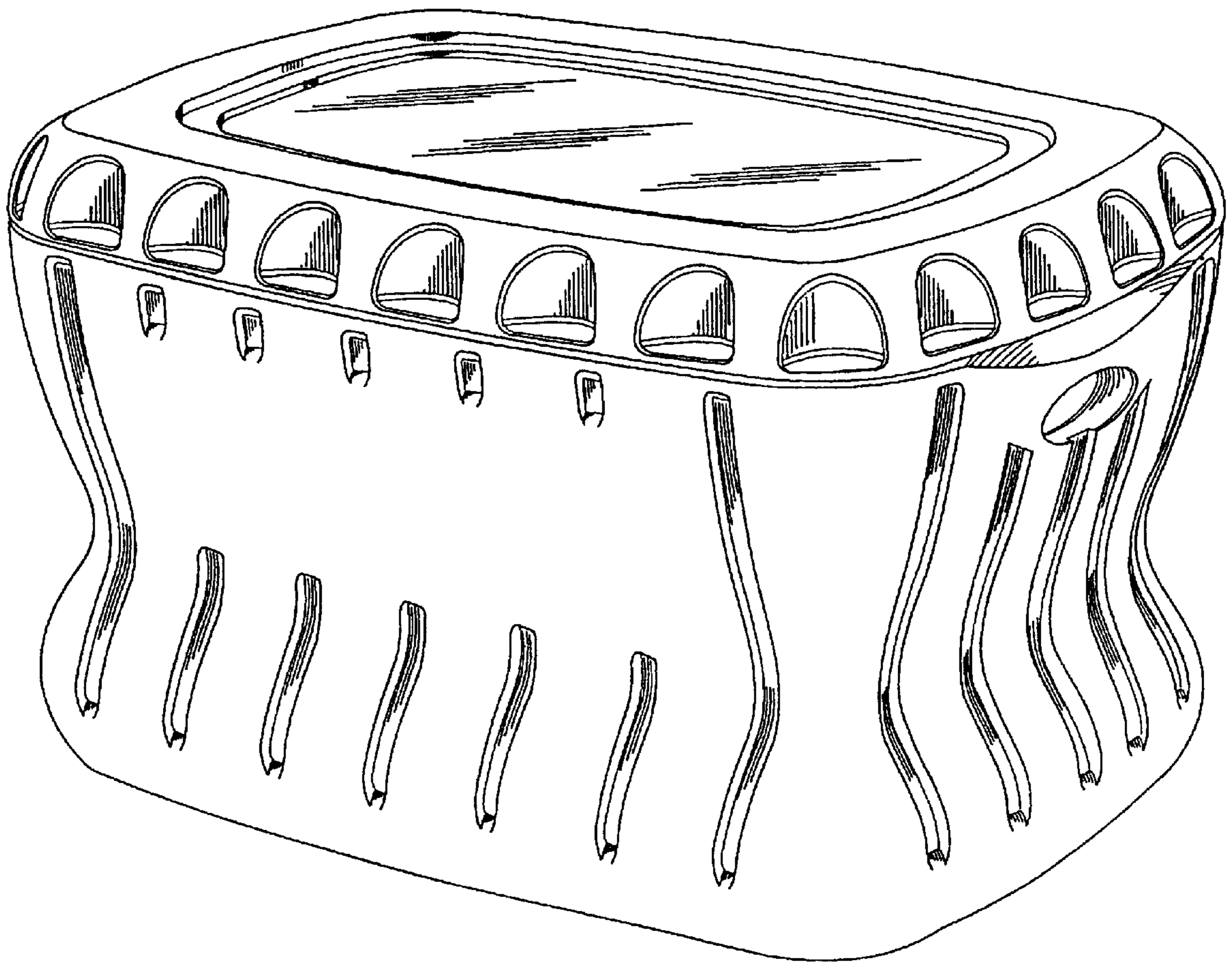


Fig. 1

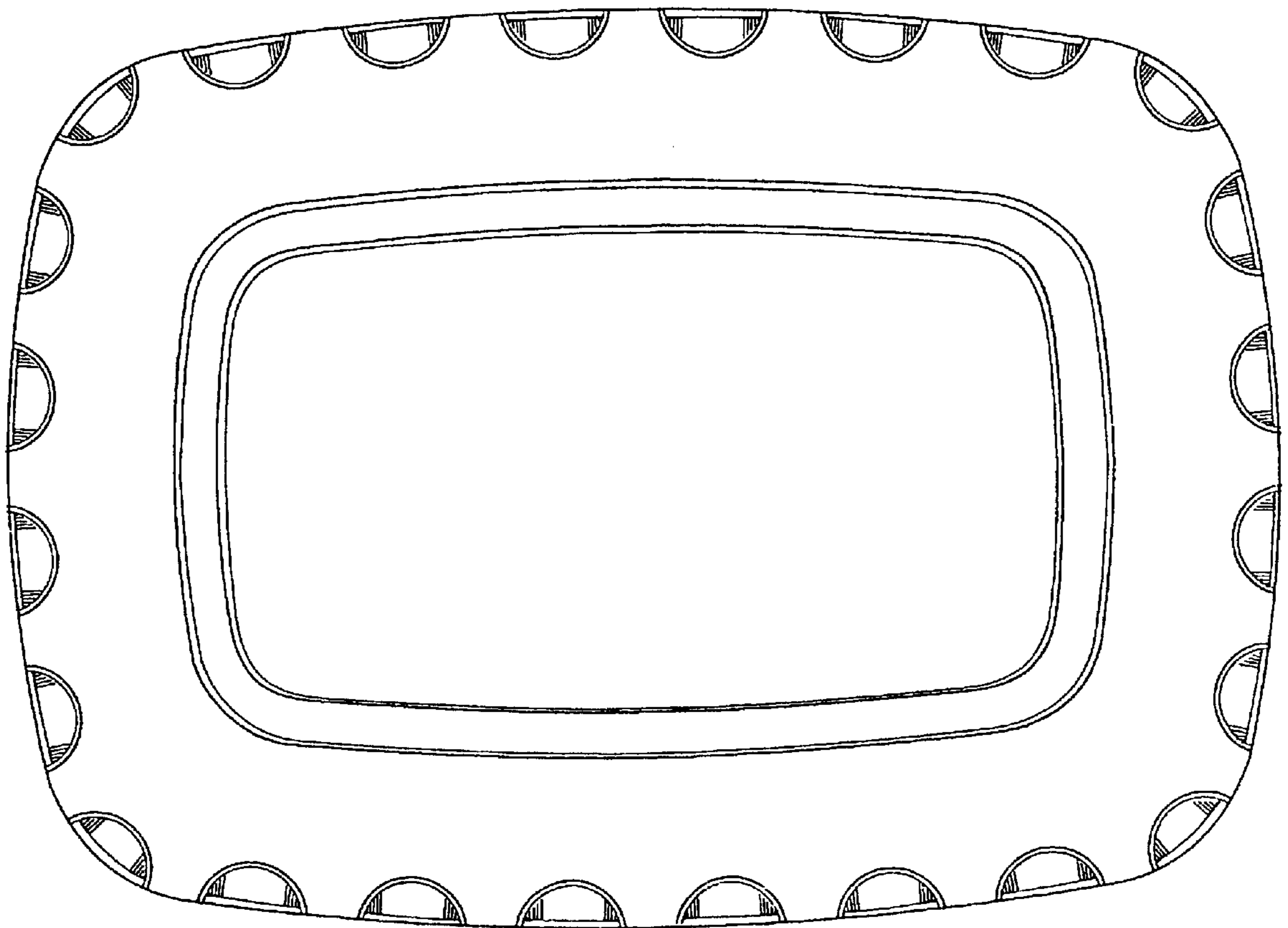


Fig. 2

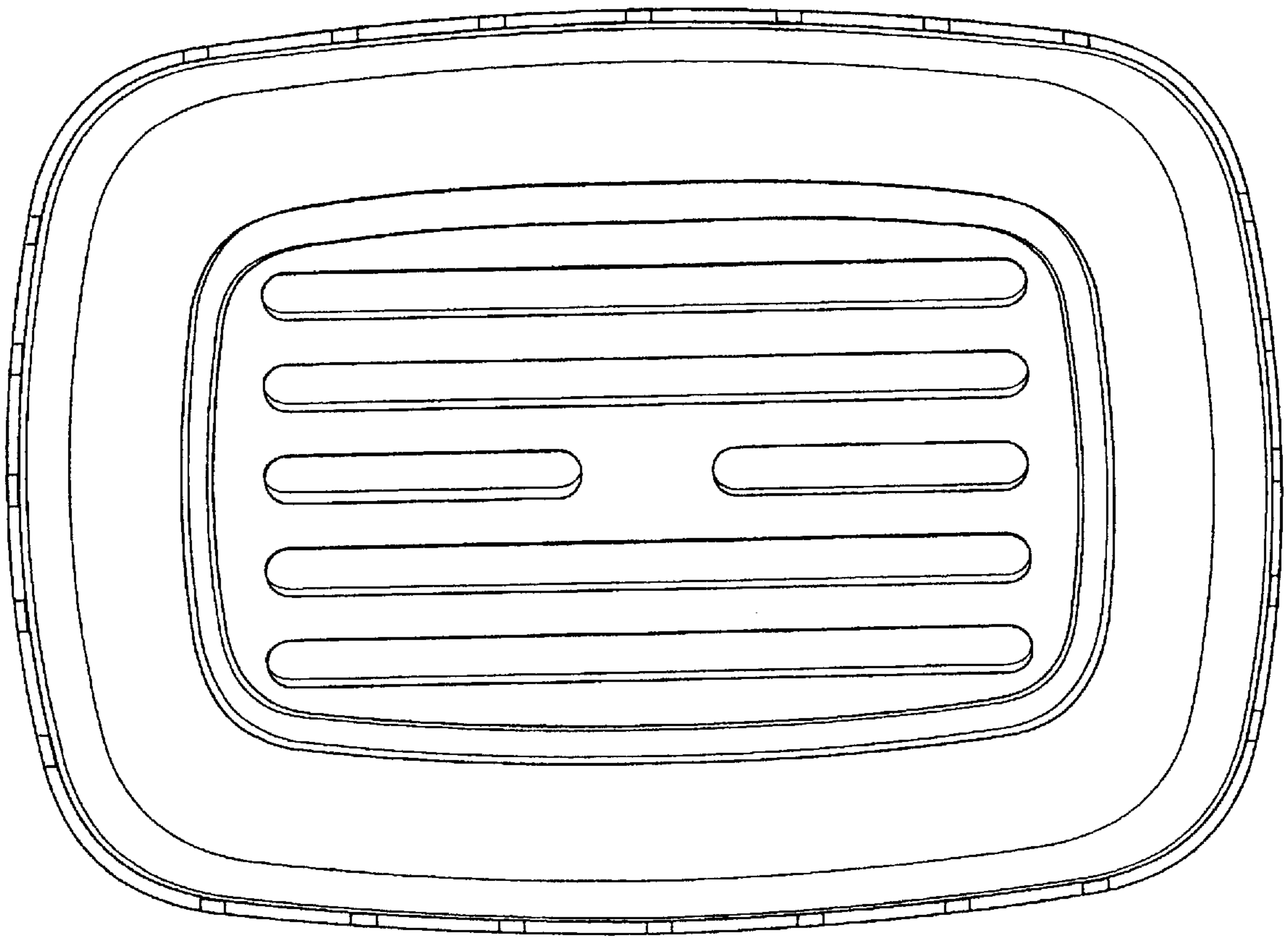


Fig. 3

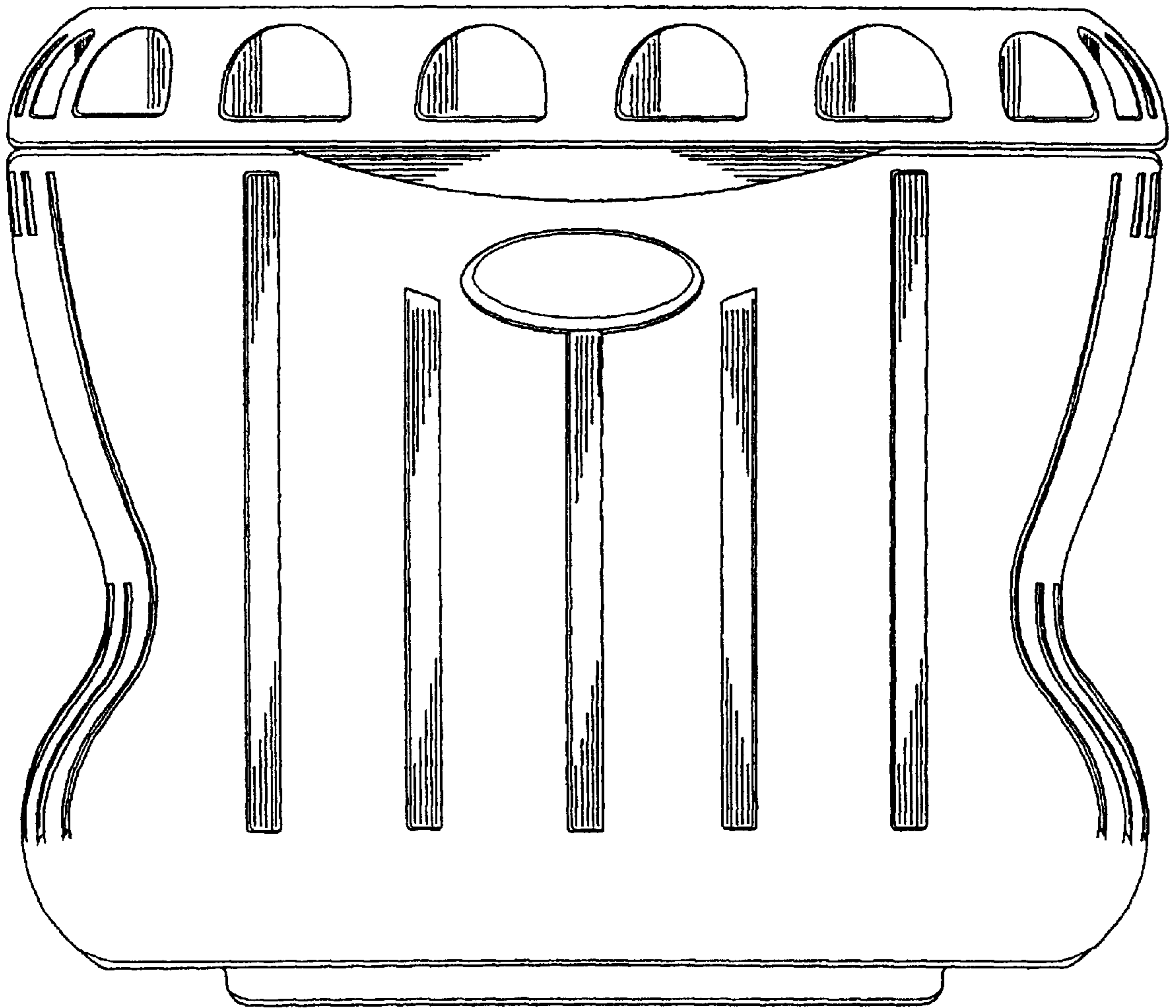


Fig. 4

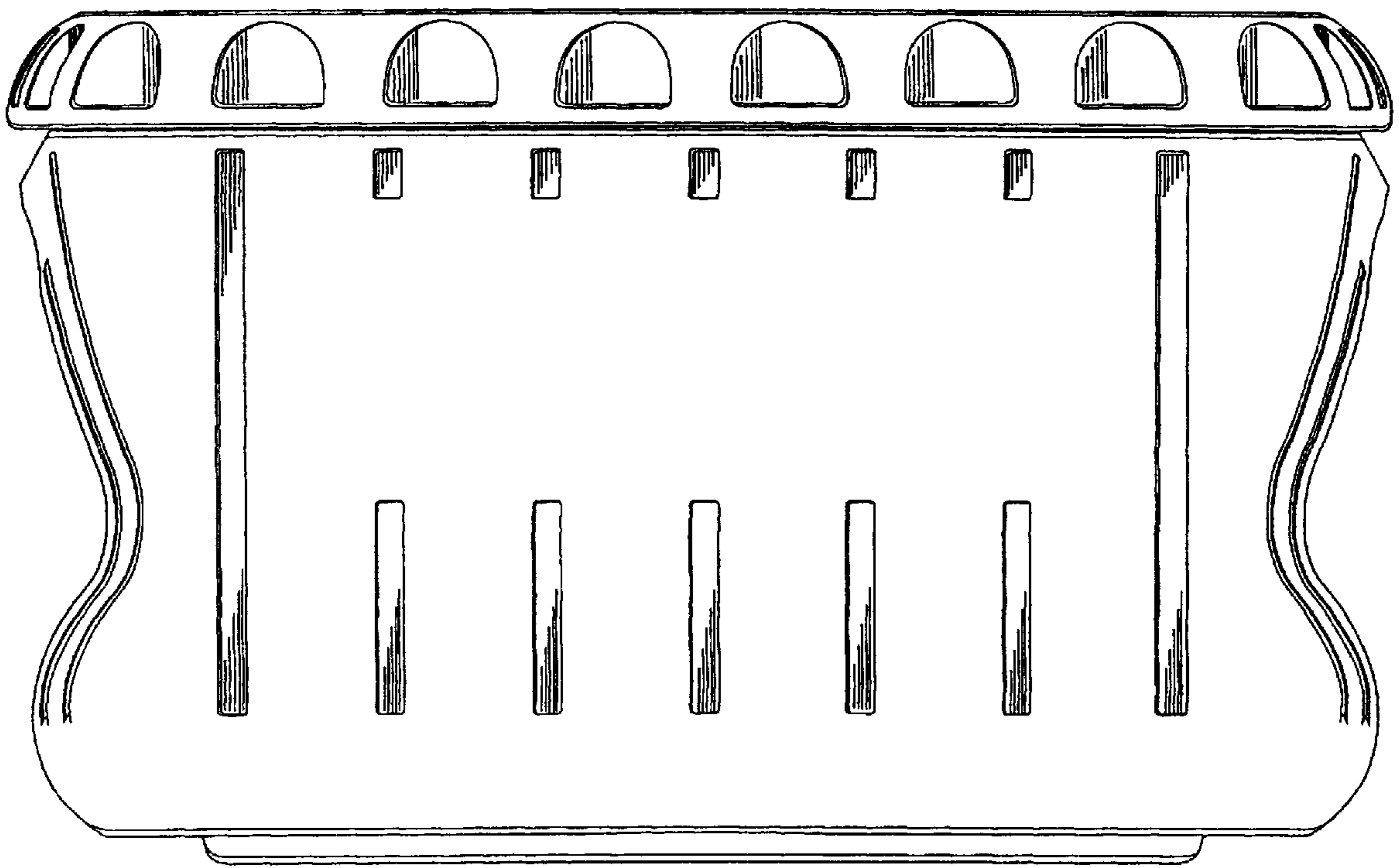


Fig. 5