



US00D479778S

(12) **United States Design Patent**
Haney et al.

(10) **Patent No.: US D479,778 S**

(45) **Date of Patent: ** Sep. 23, 2003**

(54) **PORTABLE TABLE WITH A WIRE RACK**

(75) Inventors: **Thayne Haney**, Syracuse, UT (US);
Jacob Kearl, Plain City, UT (US)

(73) Assignee: **Lifetime Products, Inc.**, Clearfield, UT (US)

(**) Term: **14 Years**

(21) Appl. No.: **29/161,392**

(22) Filed: **May 28, 2002**

(51) **LOC (7) Cl. 06-06**

(52) **U.S. Cl. D6/511; D6/430; D6/480**

(58) **Field of Search D6/480-489, 429-431, D6/511, 462; 108/50.01, 50.02, 65, 69, 77, 67, 90; 312/194-196, 204, 208.1, 208.2, 208.4, 239; 211/181.1**

(56) **References Cited**

U.S. PATENT DOCUMENTS

D237,337 S	*	10/1975	Peets	D6/462
3,915,529 A		10/1975	Bernier	312/237
3,967,562 A		7/1976	Anacker	108/12
4,077,335 A		3/1978	Luzzani et al.	108/75
4,223,945 A		9/1980	Nikitits	297/159
4,261,266 A		4/1981	Hedinger	108/69
4,321,873 A		3/1982	Nealis	108/91
4,341,164 A		7/1982	Johnson	108/67
4,354,437 A		10/1982	Logan	108/153
4,653,804 A		3/1987	Yoo et al.	297/159
4,951,576 A		8/1990	Cobos et al.	108/131
D328,125 S	*	7/1992	Bae	D6/430 X
D331,675 S	*	12/1992	David	D6/462
5,421,272 A		6/1995	Wilmore	108/115
5,678,491 A		10/1997	Price et al.	108/115

5,692,445 A		12/1997	Winer	108/100
5,711,229 A		1/1998	Piretti	108/67
5,913,270 A		6/1999	Price	108/101
D414,626 S	*	10/1999	Collins et al.	D6/429
6,000,343 A		12/1999	Laney	108/12
6,032,585 A		3/2000	Pinch	108/36
6,053,116 A		4/2000	Jung et al.	108/115
6,058,854 A		5/2000	Tarnay et al.	108/161
6,161,486 A		12/2000	Boots	108/48
D456,190 S	*	4/2002	Swy et al.	D6/502
D469,981 S	*	2/2003	Buono	D6/429

* cited by examiner

Primary Examiner—Janice E. Seeger

(74) *Attorney, Agent, or Firm*—Workman Nydegger

(57) **CLAIM**

The ornamental design for a portable table with a wire rack, as shown and described.

DESCRIPTION

FIG. 1 is a perspective view of a portable table with a wire rack of the present invention;

FIG. 2 is a front view of the portable table with a wire rack shown in FIG. 1;

FIG. 3 is a right side view of the portable table with a wire rack shown in FIG. 1;

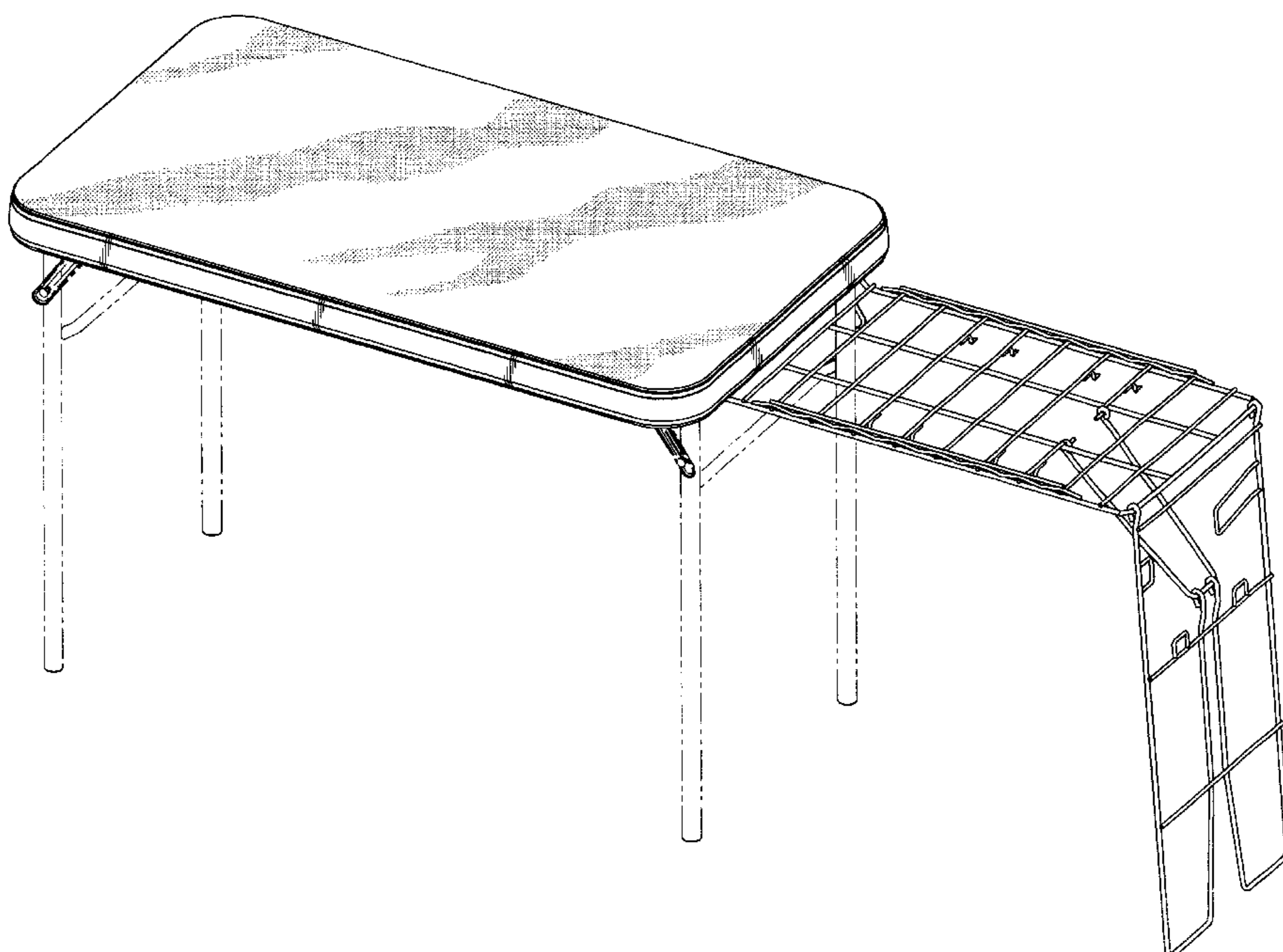
FIG. 4 is a left side view of the portable table with a wire rack shown in FIG. 1;

FIG. 5 is top view of the portable table with a wire rack shown in FIG. 1; and,

FIG. 6 is a bottom plan view of the portable table with a wire rack shown in FIG. 1.

The broken lines are for environmental purposes only and form no part of the claimed design.

1 Claim, 5 Drawing Sheets



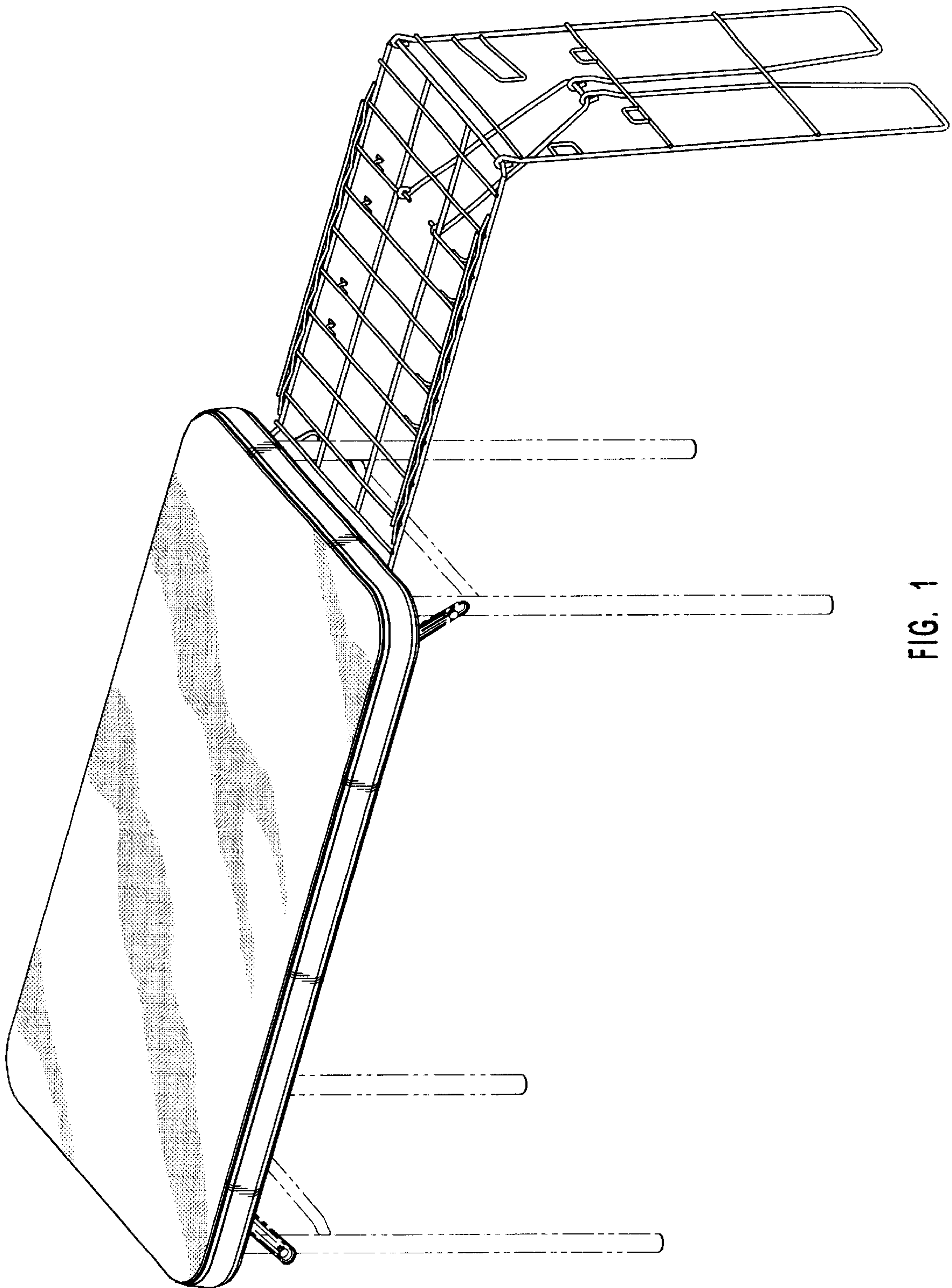


FIG. 1

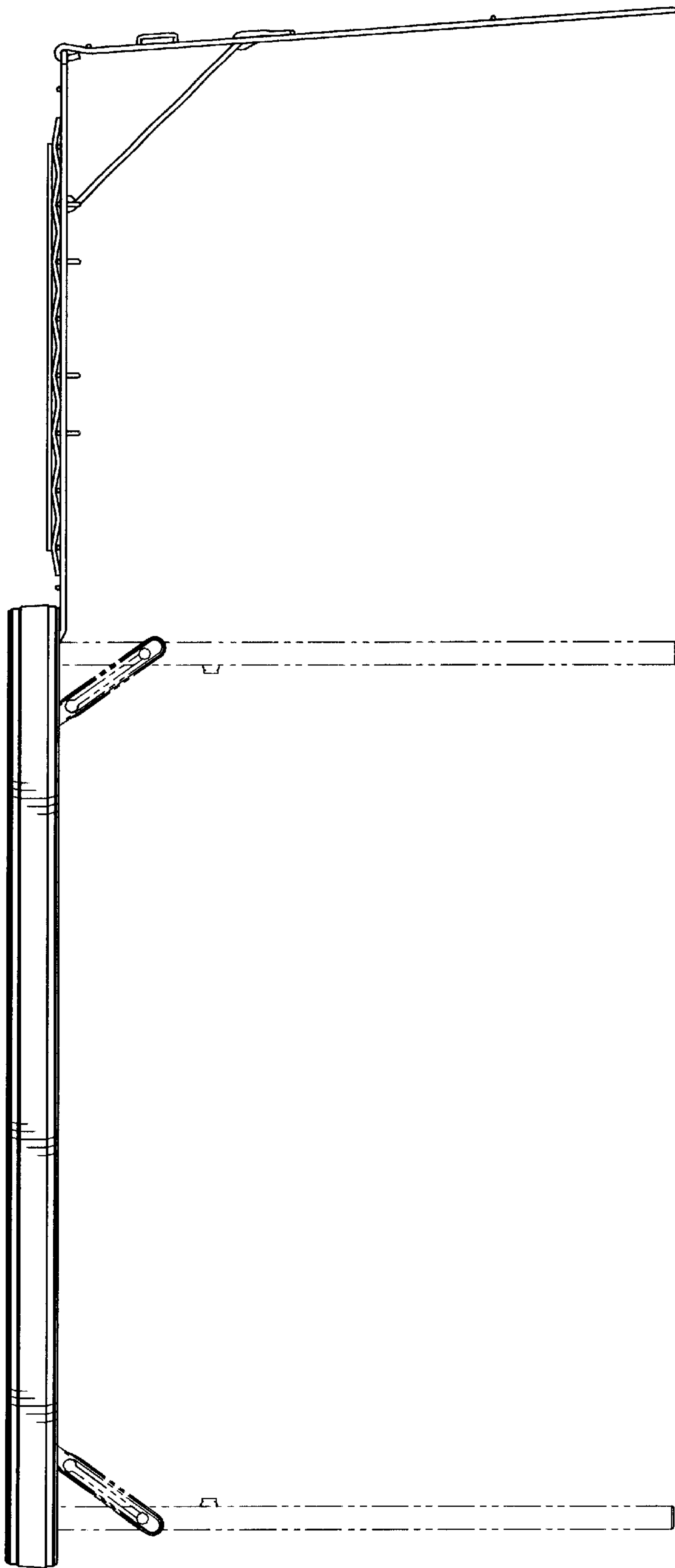


FIG. 2

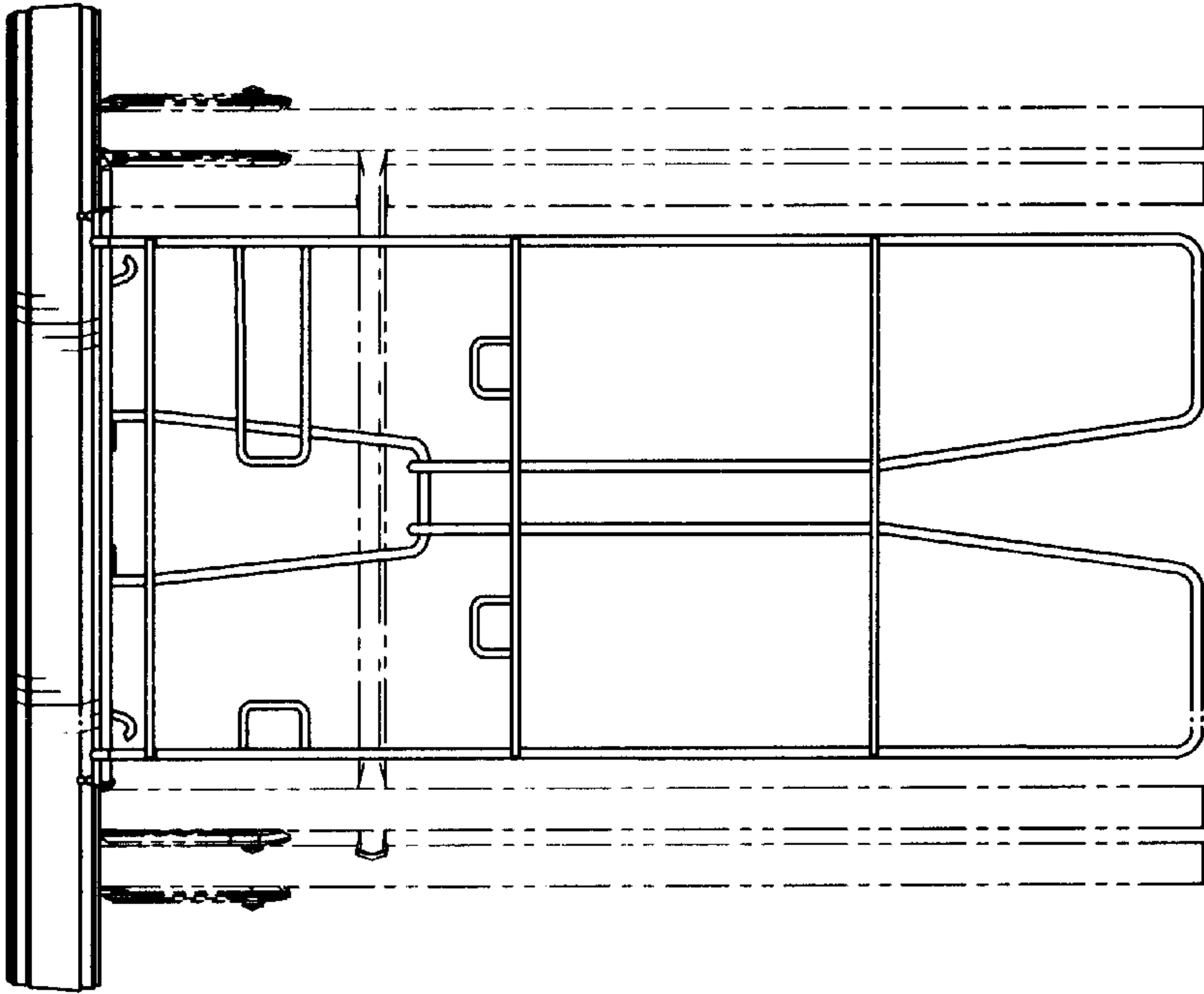


FIG. 3

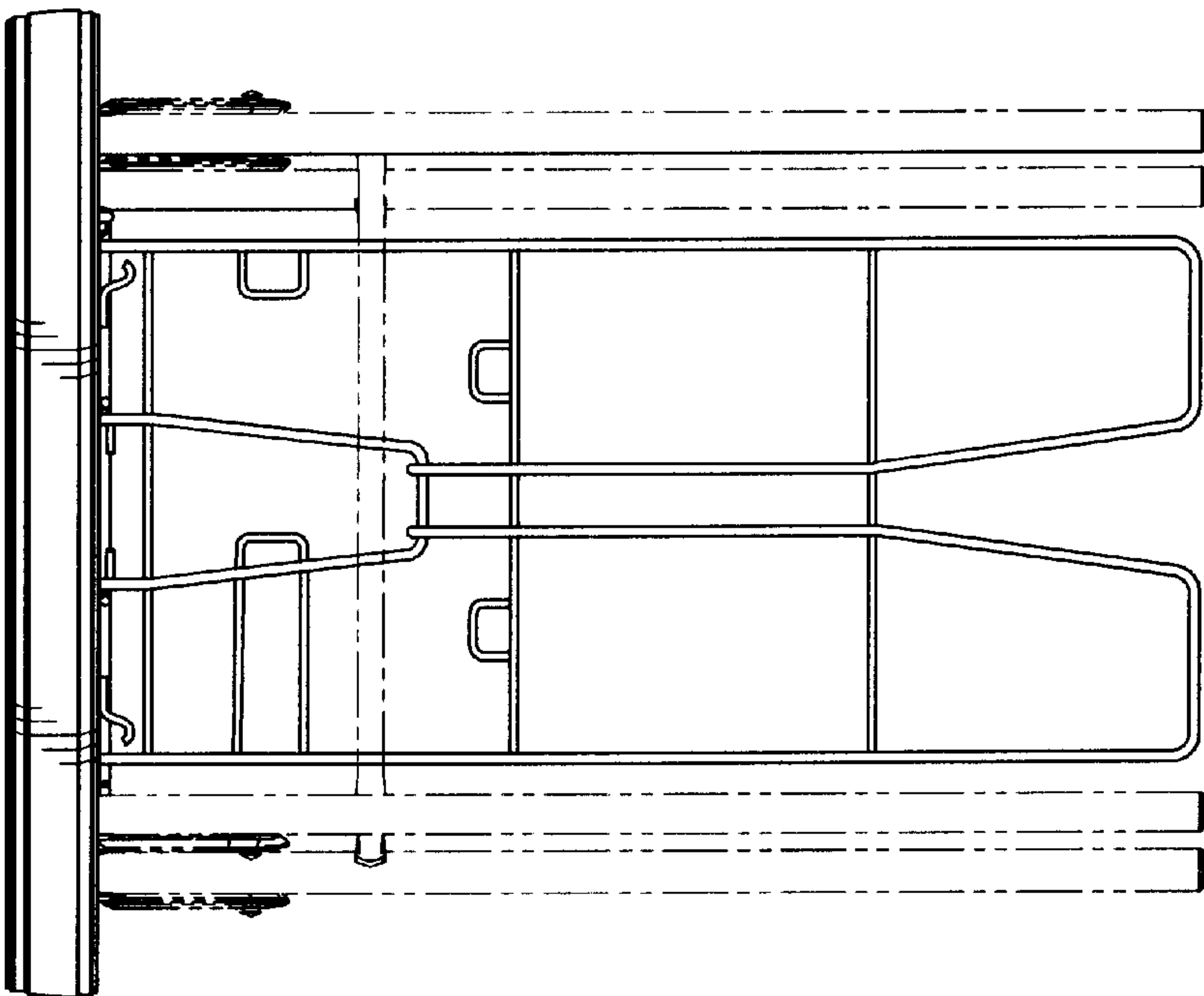


FIG. 4

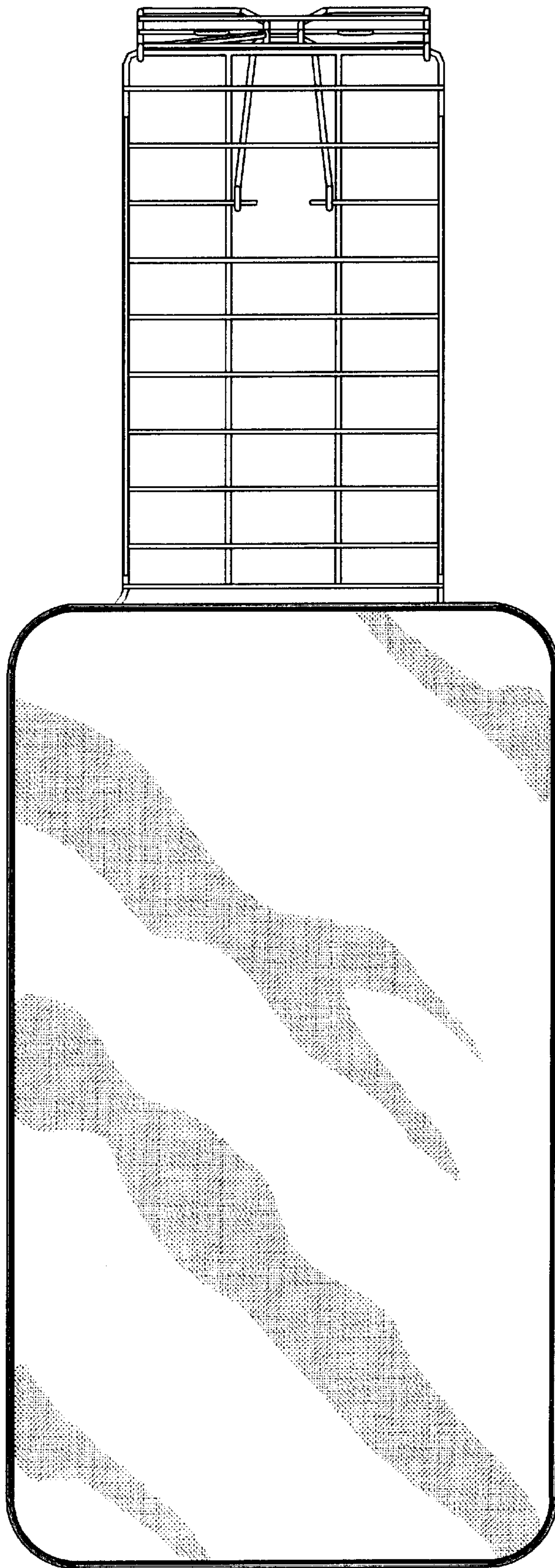


FIG. 5

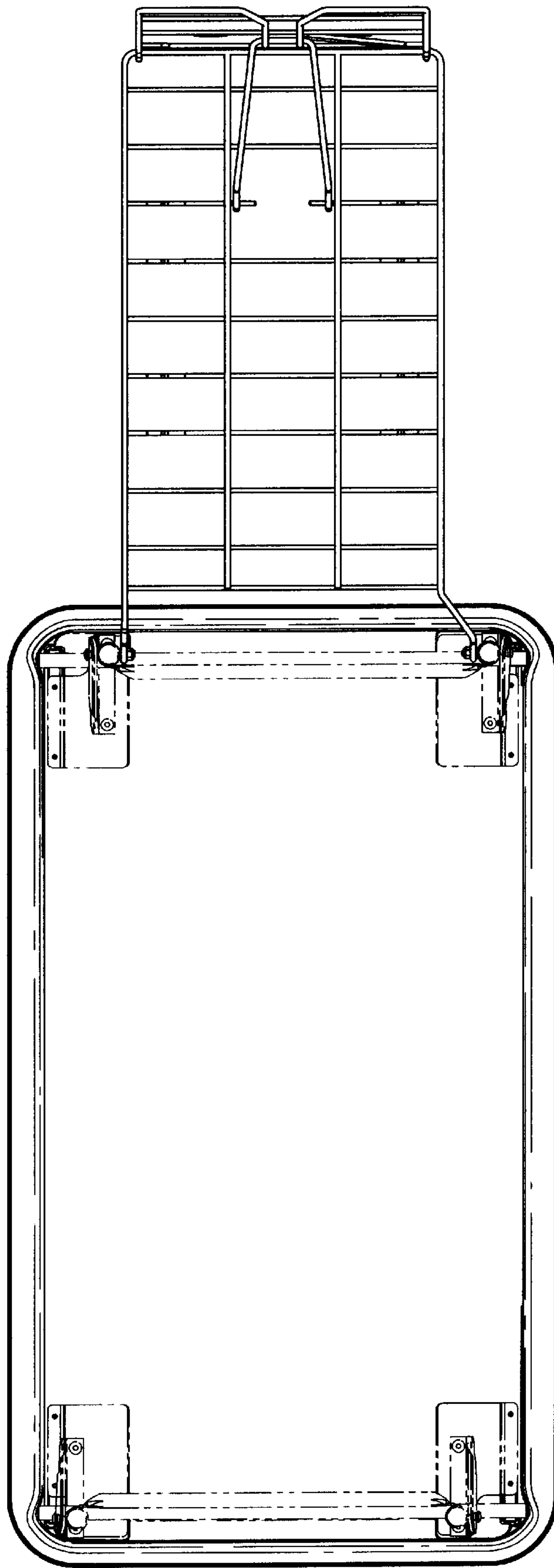


FIG. 6