



US00D479773S

(12) **United States Design Patent**  
**Pajerski et al.**

(10) **Patent No.:** **US D479,773 S**

(45) **Date of Patent:** **\*\* Sep. 23, 2003**

(54) **TABLE SUPPORT AND SEAT ELEMENTS OF A FOLDING TABLE WITH SEATS**

(75) Inventors: **Francis L. Pajerski**, Elkhorn, WI (US);  
**Leonard J. Yindra**, Manitowoc, WI (US)

(73) Assignee: **Palmer Snyder Furniture Co.**,  
Elkhorn, WI (US)

(\*\*) Term: **14 Years**

(21) Appl. No.: **29/149,671**

(22) Filed: **Oct. 15, 2001**

(51) **LOC (7) Cl.** ..... **06-01**

(52) **U.S. Cl.** ..... **D6/337**

(58) **Field of Search** ..... D6/333, 334, 335,  
D6/336, 337, 500, 501, 502; 297/157.1,  
158.2, 158.3, 158.4, 159.1

(56) **References Cited**

**U.S. PATENT DOCUMENTS**

1,015,230	A	1/1912	Jacob
1,339,232	A	5/1920	St. John et al.
1,370,952	A	3/1921	Danielson
1,514,418	A	11/1924	Battenfeld
1,622,327	A	3/1927	Livingood
1,823,484	A	9/1931	Blumenthal
1,860,291	A	5/1932	Majcher
1,898,307	A	2/1933	Miller
1,903,954	A	4/1933	Blumenthal
1,910,704	A	5/1933	MacDonald
1,964,789	A	7/1934	MacDonald
2,030,195	A	2/1936	Breese
2,080,982	A	5/1937	MacDonald
2,249,845	A	7/1941	Mitchell

(List continued on next page.)

**FOREIGN PATENT DOCUMENTS**

FR	1026640	4/1953
FR	1070234	7/1954
GB	692680	9/1951

**OTHER PUBLICATIONS**

SICO Incorporated brochure Date: 1993.  
Mesa Industries brochure Date: 1994.  
SICO Incorporated brochure Date: 1998.  
Virco Mfg. Corporation brochure Date: 1997.  
BIOFIT Engineered Products brochure Date: Copyright notice indicates year 2000.  
BIOFIT Engineered Products brochure Date: Copyright notice indicates year 2000.

*Primary Examiner*—Doris V. Coles

*Assistant Examiner*—Mimosa De

(74) *Attorney, Agent, or Firm*—Jansson, Shupe & Munger, Ltd.

(57) **CLAIM**

The ornamental design for table, support and seat elements of a folding table with seats, as shown and described.

**DESCRIPTION**

FIG. 1 is a perspective view of table, support and seat elements of a folding table with seats.

FIG. 2 is a top plan view of table, support and seat elements of the folding table with seats.

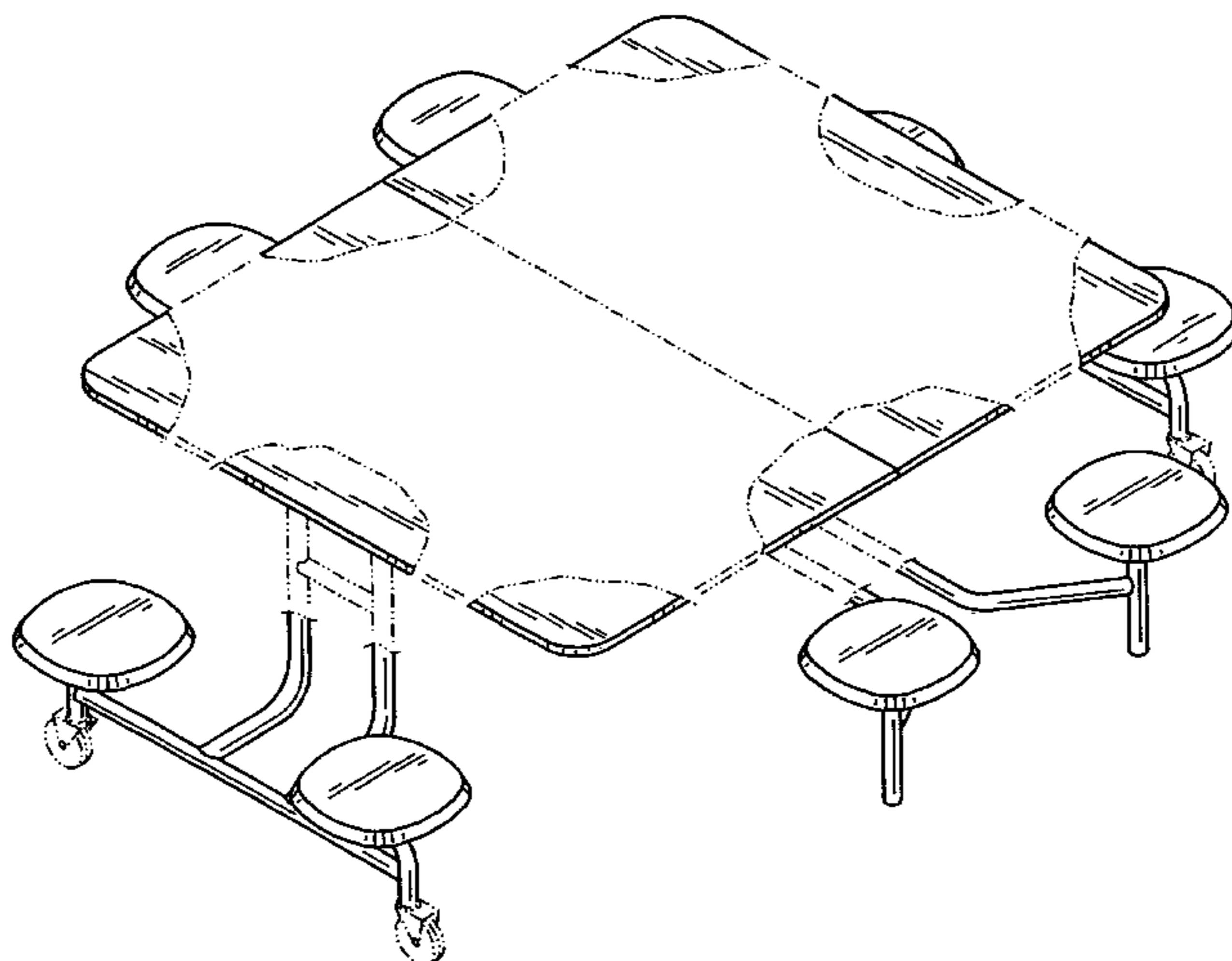
FIG. 3 is a right side elevational view of table, support and seat elements of the folding table with seats. A left side elevational view of the table, support and seat elements of the folding table with seats is not shown as it is a mirror image of the right side elevational view.

FIG. 4 is a front elevational view of table, support and seat elements of the folding table with seats. A rear side elevational view of the table, support and seat elements of the folding table with seats is not shown as it is a mirror image of the front side elevational view; and,

FIG. 5 is a bottom plan view of table, support and seat elements of the folding table with seats.

The broken lines are directed to the environmental structure defining the boundary of the claimed portions of the table, support and seat elements and form no part of the claimed design.

**1 Claim, 4 Drawing Sheets**



# US D479,773 S

Page 2

## U.S. PATENT DOCUMENTS

2,702,585 A	2/1955	Wilson		3,994,527 A	11/1976	Nikitis et al.	
2,717,631 A	9/1955	Howe		4,040,658 A	8/1977	Mayol	
2,721,778 A	10/1955	Wilson		4,052,100 A	10/1977	Nikitis et al.	
2,730,417 A	1/1956	Mitchell		4,070,057 A	1/1978	Jones	
2,739,860 A	3/1956	Wilson		4,101,164 A	7/1978	Urdanoz	
2,771,937 A	11/1956	Wilson		D250,151 S	11/1978	Pingel	
2,780,506 A	2/1957	Howe		4,131,311 A	12/1978	Nikitis et al.	
2,805,707 A	9/1957	Schoeppner		4,133,271 A	1/1979	Carlson	
RE24,454 E	4/1958	Wilson		4,223,945 A	9/1980	Nikitis	
2,934,386 A	4/1960	Shore		4,249,773 A	2/1981	Giambalvo	
2,969,245 A	1/1961	Wilson		D268,971 S	* 5/1983	Reineman .....	D6/337
3,028,197 A	4/1962	Wilson		D273,731 S	5/1984	Peneiro	
3,055,705 A	9/1962	Wilson		D280,367 S	9/1985	Reamer, Jr. et al.	
D194,038 S	11/1962	Preston		4,596,196 A	6/1986	Gunter et al.	
3,075,809 A	1/1963	Wilson		4,653,804 A	3/1987	Yoo et al.	
3,096,866 A	7/1963	Glass		4,662,675 A	5/1987	Volpi	
3,099,480 A	7/1963	Wilson		4,700,987 A	10/1987	Sraka et al.	
3,099,481 A	7/1963	Bue		4,826,244 A	5/1989	Choi	
3,101,064 A	8/1963	Kanzelberger et al.		4,883,314 A	11/1989	Sakong	
3,109,678 A	* 11/1963	Wilson .....	297/158.4	4,932,333 A	6/1990	Jensen et al.	
3,116,088 A	12/1963	Thaxton		4,960,303 A	10/1990	York	
3,120,405 A	2/1964	Soszynski		5,029,938 A	7/1991	Song	
3,212,463 A	10/1965	Anderson et al.		D327,178 S	6/1992	Ryan	
3,212,815 A	10/1965	Wardlaw et al.		D327,779 S	7/1992	Jensen et al.	
3,245,363 A	4/1966	Amthor, Jr. et al.		D330,127 S	10/1992	Song	
3,266,840 A	8/1966	D'Estrube		D354,867 S	1/1995	Lee	
3,337,262 A	8/1967	Katzfey et al.		D369,913 S	5/1996	Noll	
3,348,879 A	10/1967	Merola		5,683,135 A	11/1997	Williams	
D211,886 S	* 8/1968	Benjamin .....	D6/337	5,794,540 A	8/1998	Dombrowski et al.	
3,411,823 A	11/1968	Bue		5,921,622 A	7/1999	Newton	
3,477,760 A	11/1969	Bue		D413,734 S	* 9/1999	Bue .....	D6/337
3,511,532 A	5/1970	Tringali et al.		6,065,802 A	5/2000	Bue	
3,536,356 A	10/1970	Wilson		6,186,591 B1	* 2/2001	Pajerski .....	297/159.1
3,580,632 A	5/1971	Seymour		D439,060 S	* 3/2001	Larsen .....	D6/337
3,650,560 A	3/1972	Wohlk		6,254,178 B1	7/2001	Bue	
3,715,143 A	2/1973	Gerken et al.		D456,155 S	* 4/2002	DeVriendt .....	D6/337
3,885,829 A	5/1975	Haeger					

\* cited by examiner

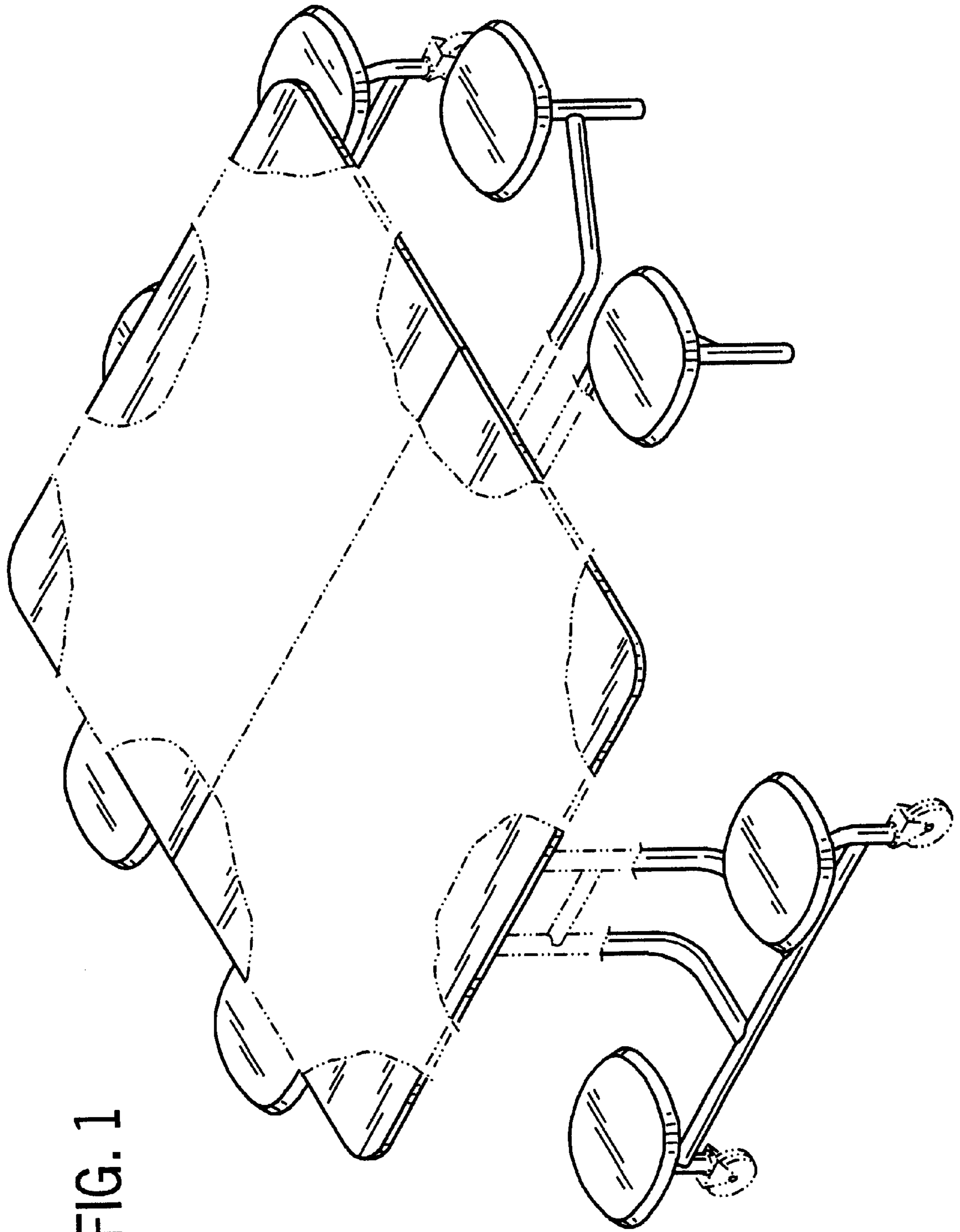


FIG. 1

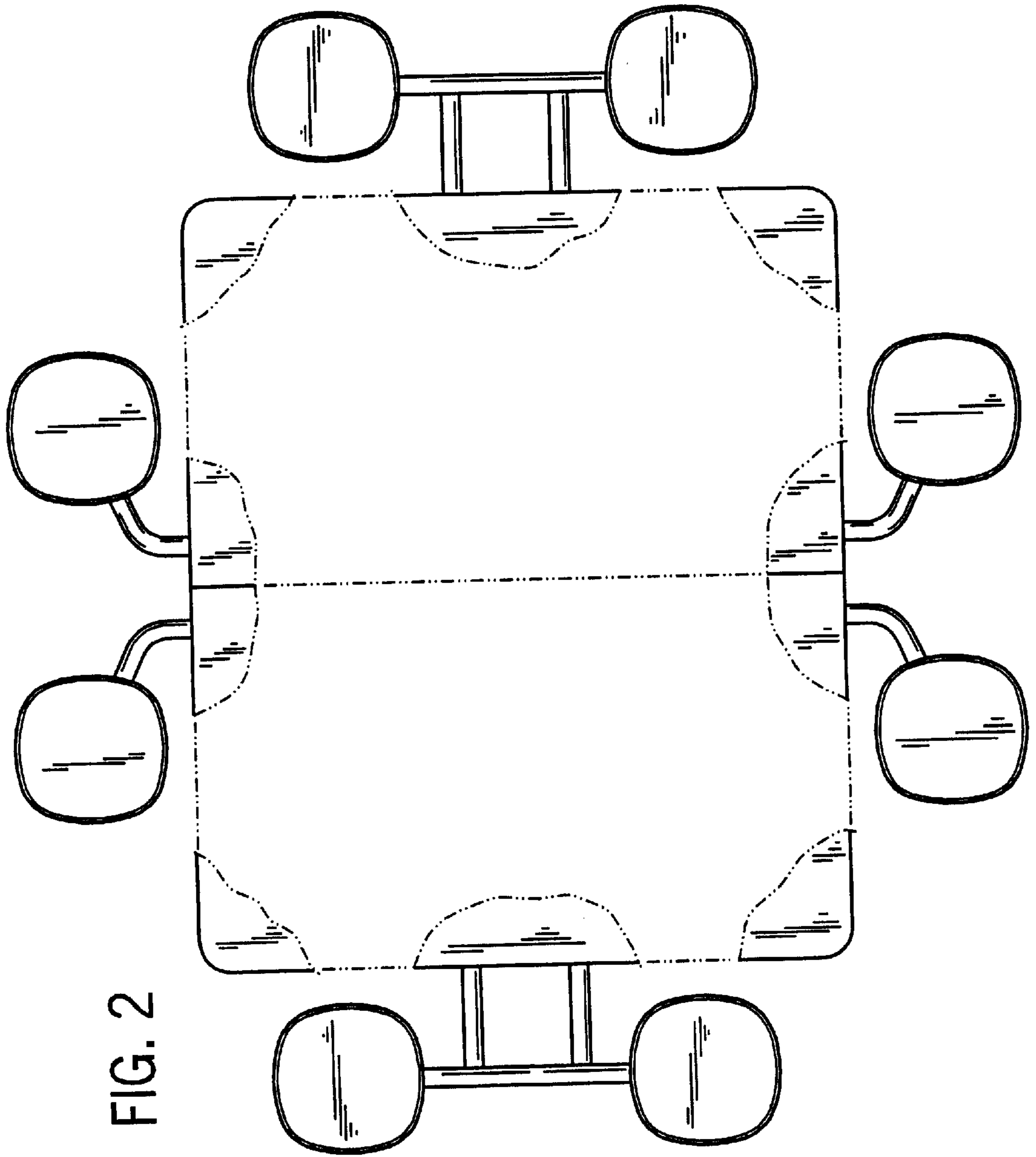
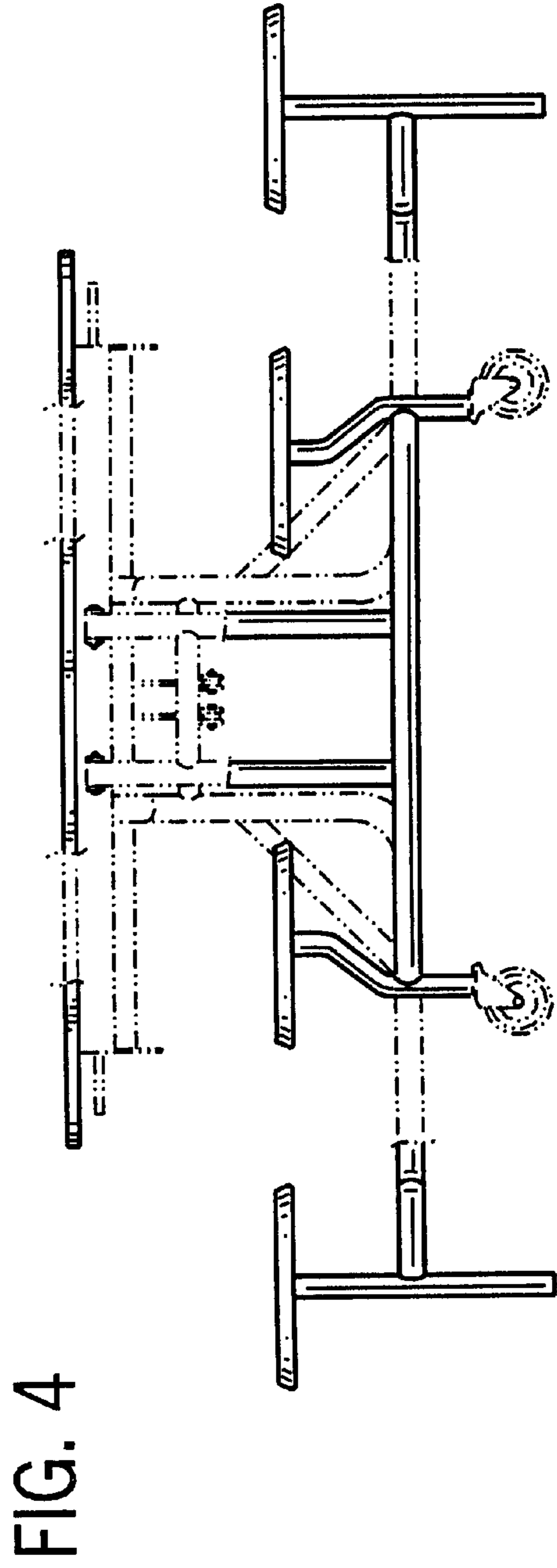
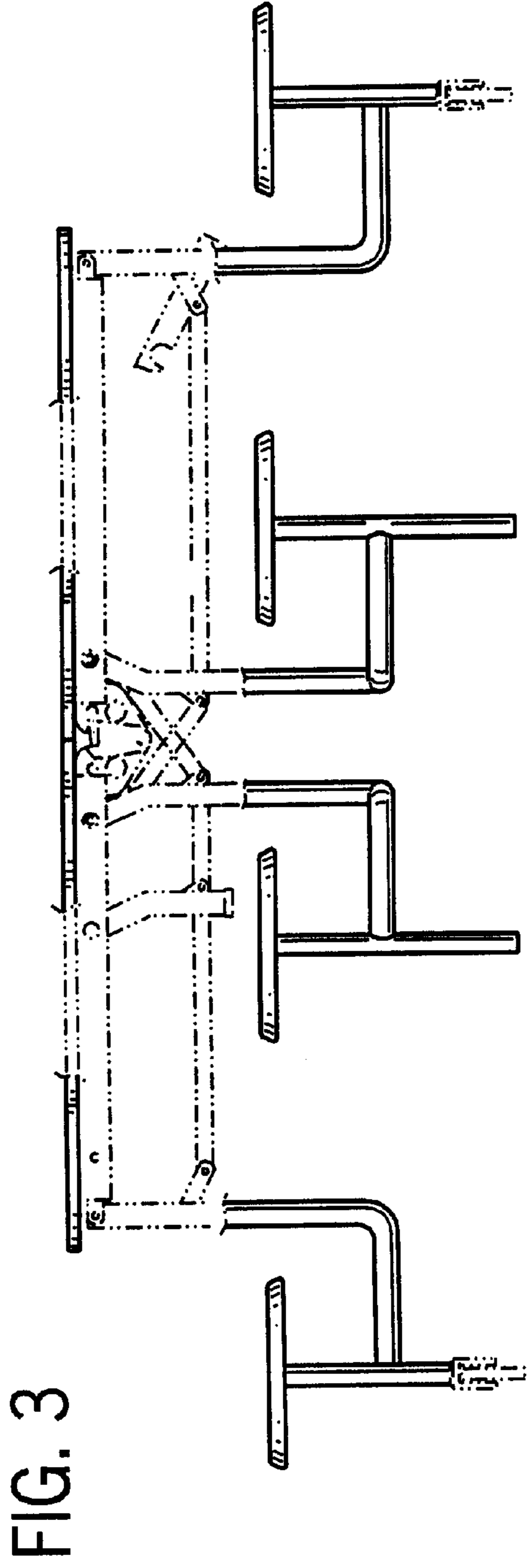


FIG. 2



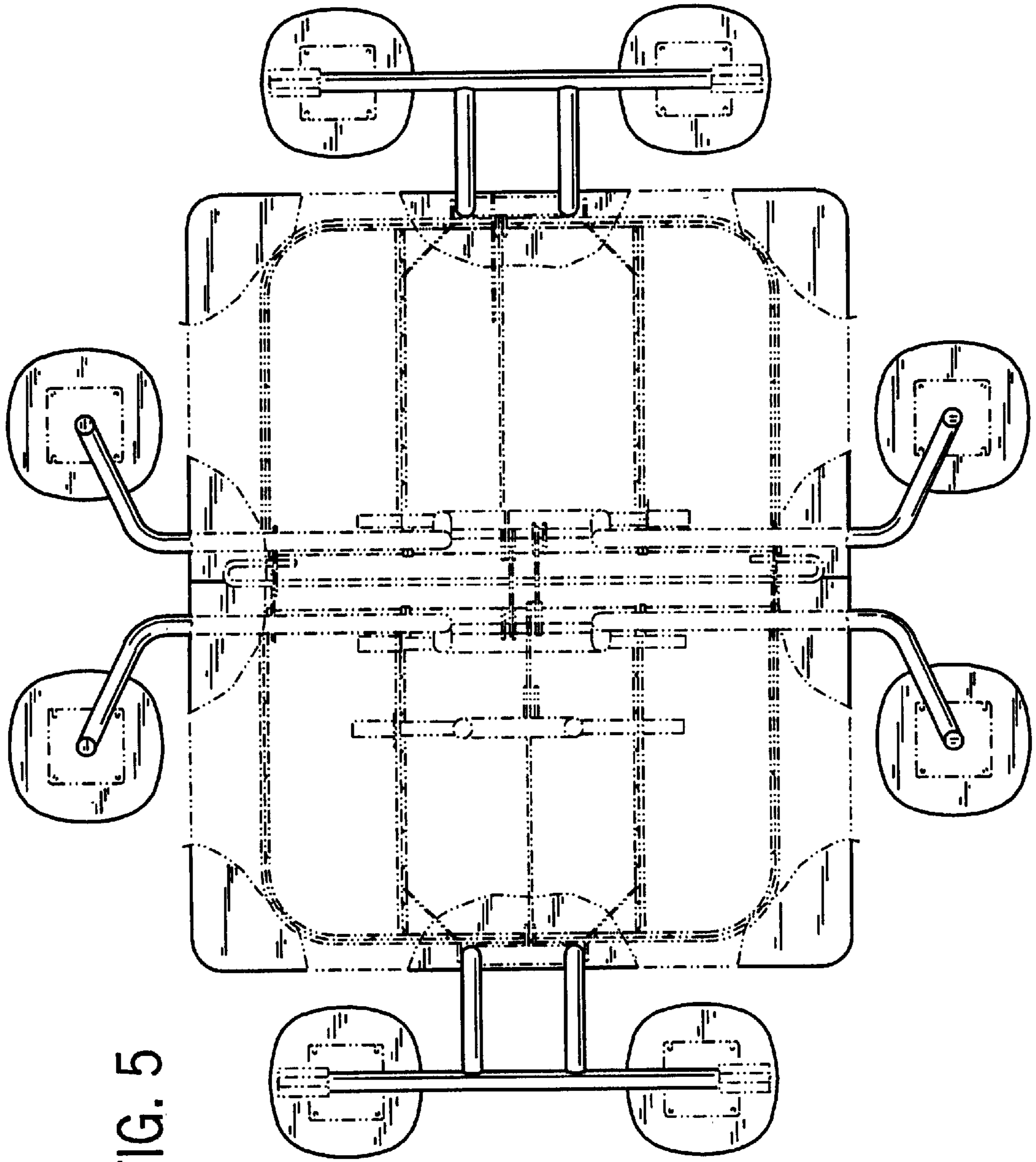


FIG. 5