



US00D479770S

(12) **United States Design Patent**  
**Smith, Sr. et al.**

(10) **Patent No.:** **US D479,770 S**  
(45) **Date of Patent:** **\*\* Sep. 23, 2003**

(54) **WATERPROOF TACKLE BOX HAVING MAKO SHARK INDICIA, REMOVABLE FLASH LIGHT IN SIDE RECESS, AND BUILT-IN AM/FM RADIO**

D339,228 S \* 9/1993 Moos et al. .... D3/905  
D382,109 S \* 8/1997 Green-Law et al. .... D3/260  
D460,859 S \* 7/2002 Tipton ..... D3/260

\* cited by examiner

(76) Inventors: **Astor M. Smith, Sr.**, P.O. Box 863,  
Wheatly Heights, NY (US) 11738;  
**Astor M. Smith, II**, P.O. Box 863,  
Wheatly Heights, NY (US) 11738

*Primary Examiner*—Catherine R. Oliver  
(74) *Attorney, Agent, or Firm*—Donald R. Schoonover

(\*\*) Term: **14 Years**

(57) **CLAIM**

(21) Appl. No.: **29/166,305**

We claim the ornamental design for a waterproof tackle box having mako shark indicia, removable flash light in side recess, and built-in AM/FM radio, as shown and described.

(22) Filed: **Aug. 26, 2002**

**DESCRIPTION**

(51) **LOC (7) Cl.** ..... **03-01**

(52) **U.S. Cl.** ..... **D3/260**

(58) **Field of Search** ..... D3/260, 904, 905,  
D3/294, 273, 259; D22/134, 136; 43/54.1,  
55, 57.1, 25.2, 26; 206/315.11

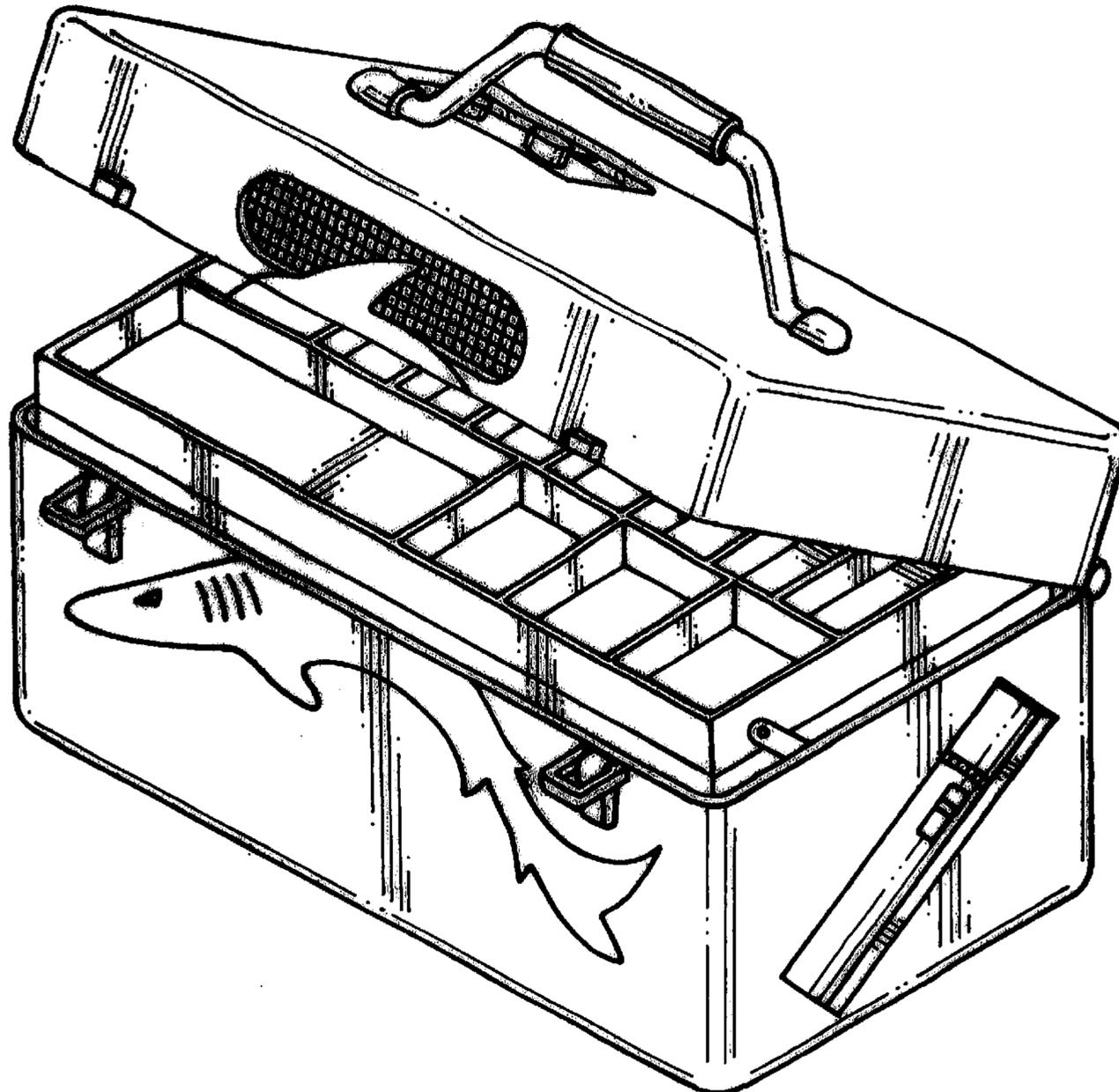
FIG. 1 is a perspective view of the waterproof tackle box having mako shark indicia, removable flash light in side recess, and built-in AM/FM radio, embodying the design of the present invention;  
FIG. 2 is a front elevational view thereof;  
FIG. 3 is a left side elevational view thereof;  
FIG. 4 is a rear elevational view thereof;  
FIG. 5 is a right side elevational view thereof;  
FIG. 6 is a top plan view thereof; and,  
FIG. 7 is a bottom plan view being identical thereto.

(56) **References Cited**

**U.S. PATENT DOCUMENTS**

3,958,359 A 5/1976 Doughty ..... 43/55  
4,023,304 A 5/1977 Singer ..... 43/54.5  
4,353,182 A 10/1982 Junkas et al. .... 43/54.5

**1 Claim, 4 Drawing Sheets**



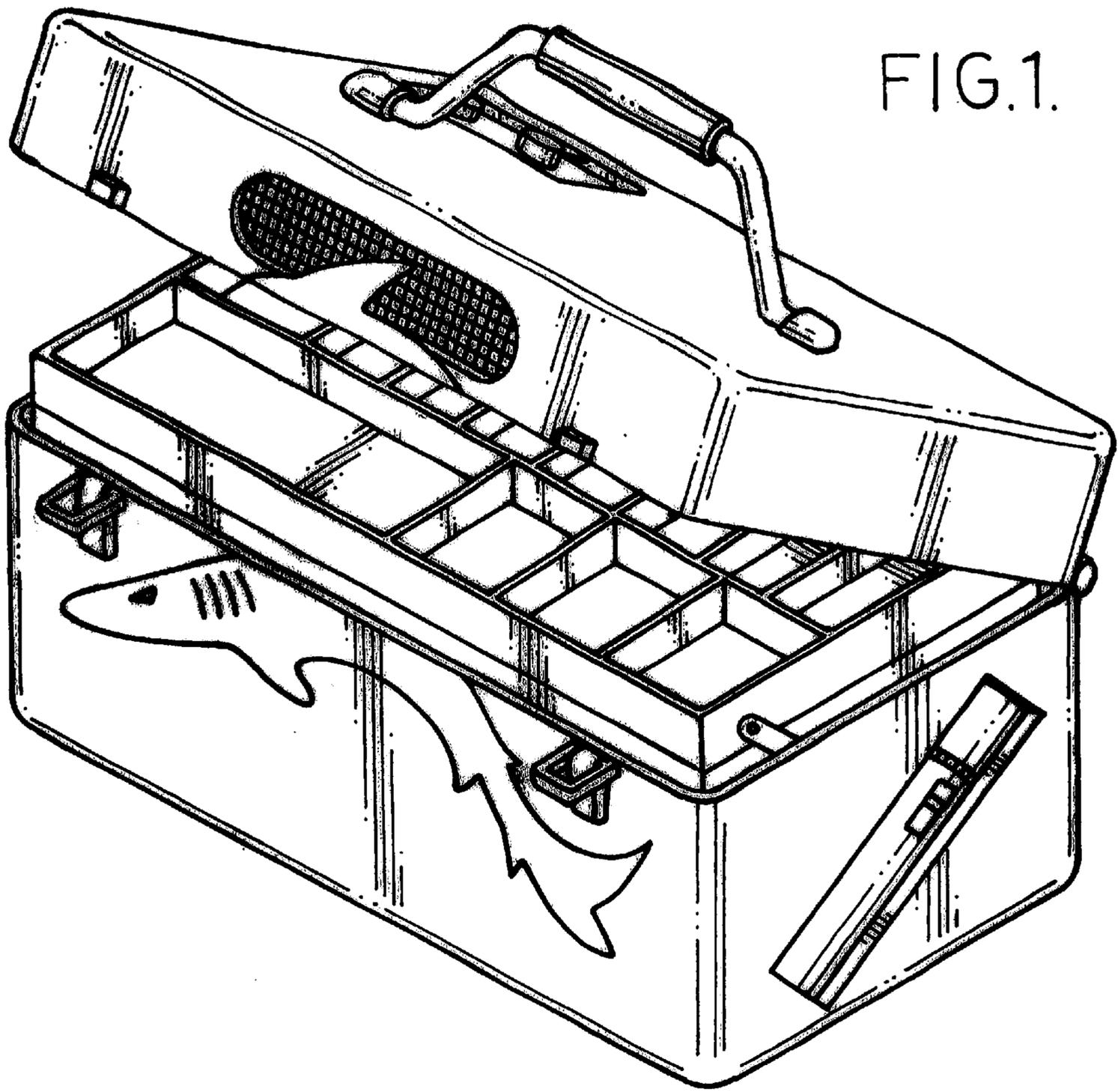


FIG.1.

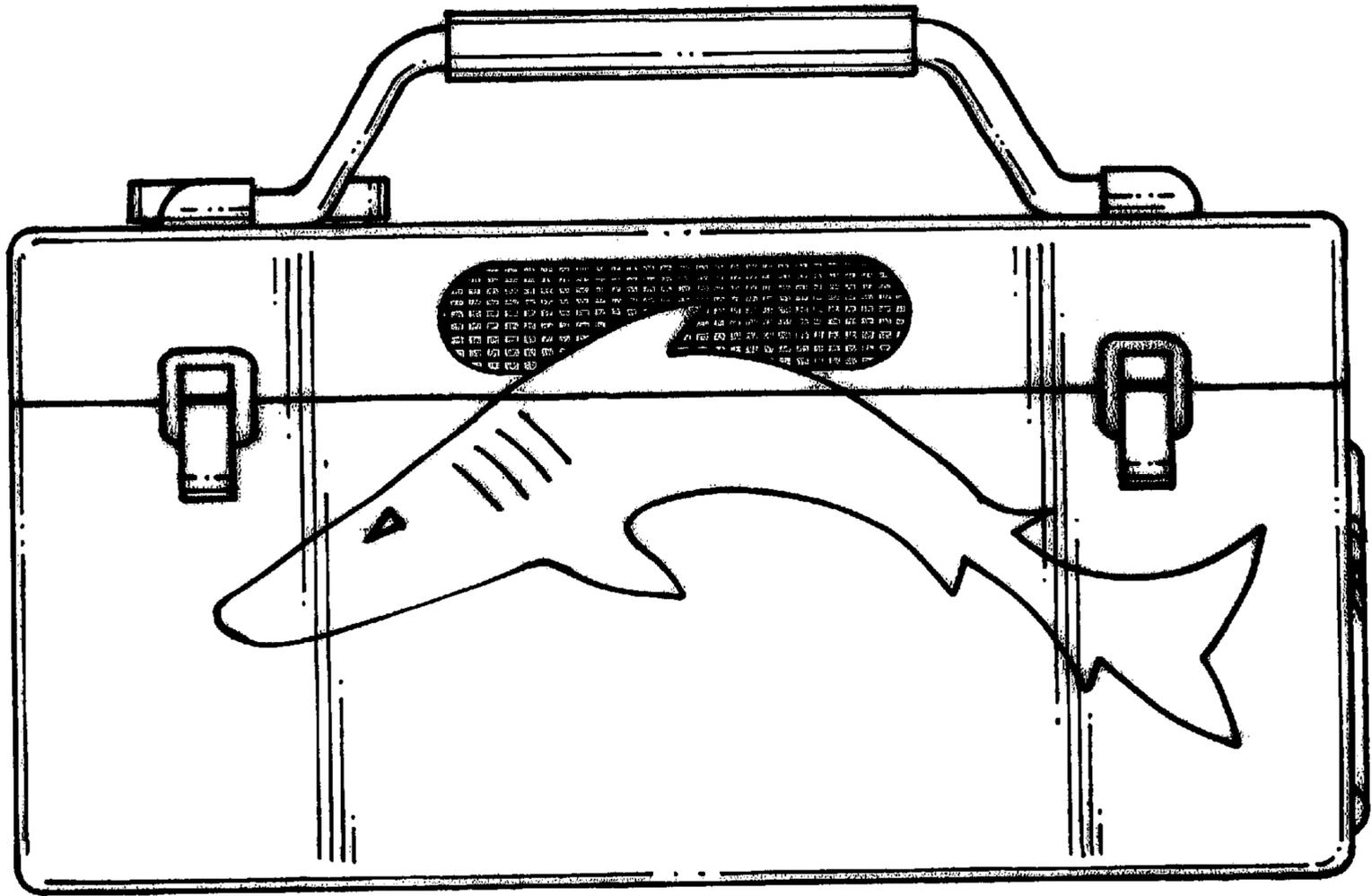


FIG. 2.

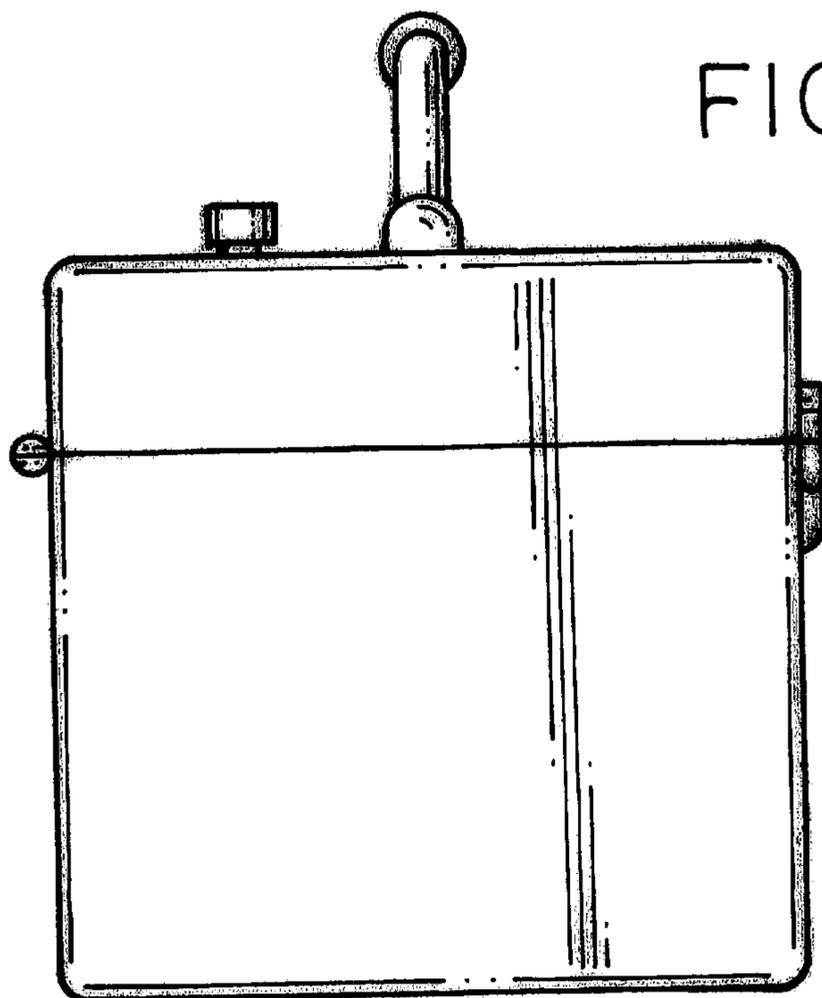


FIG. 5.

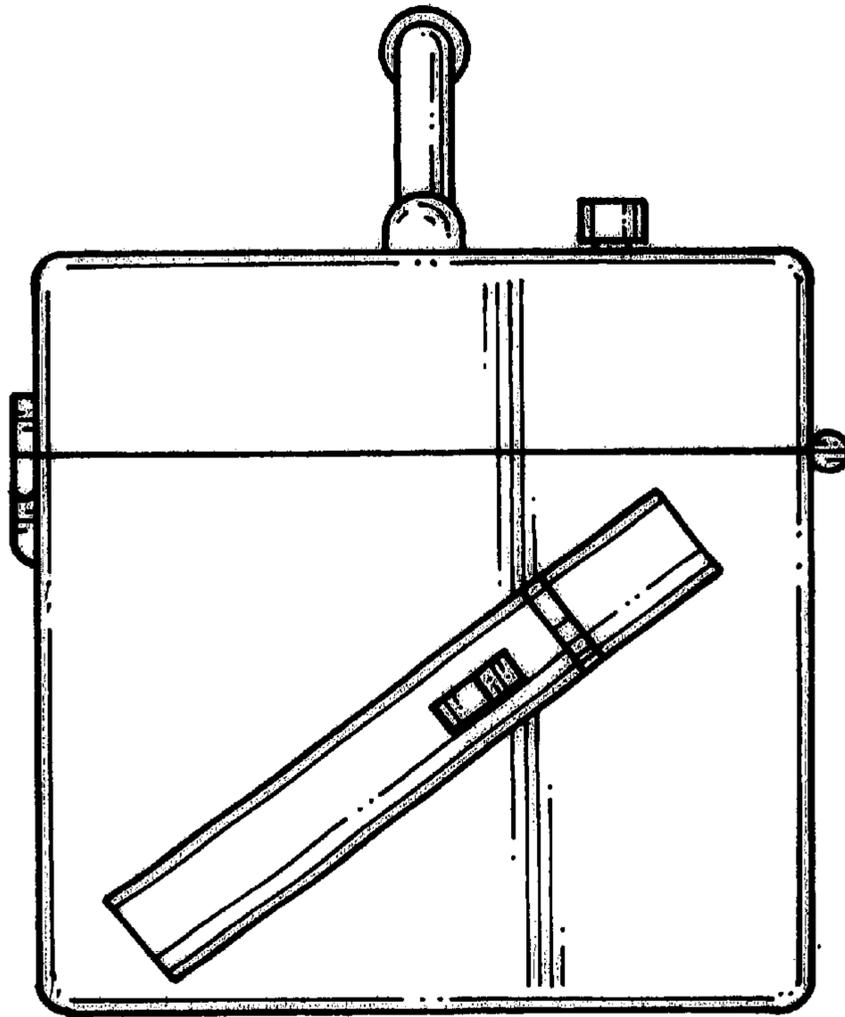


FIG. 3.

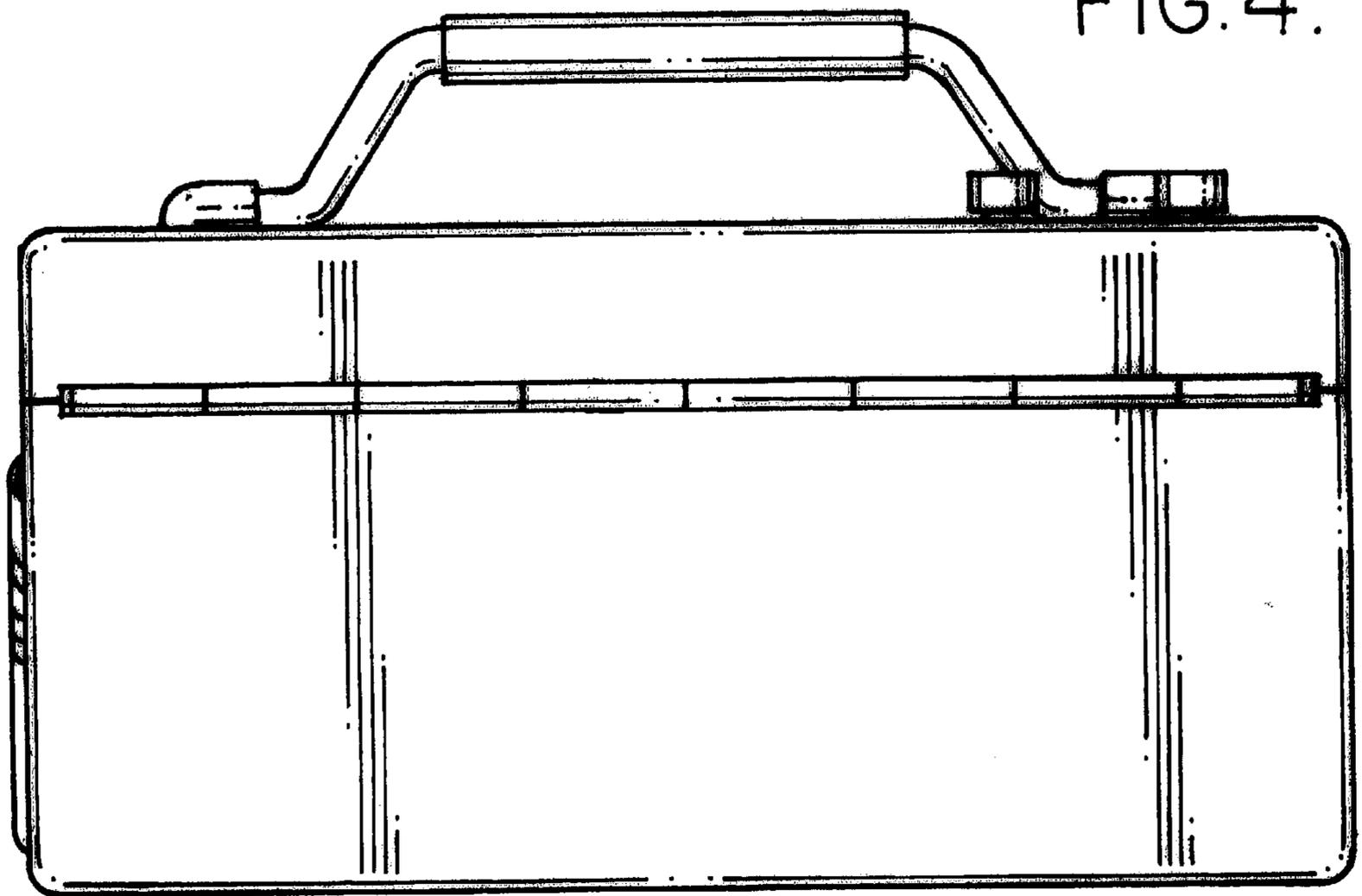


FIG. 4.

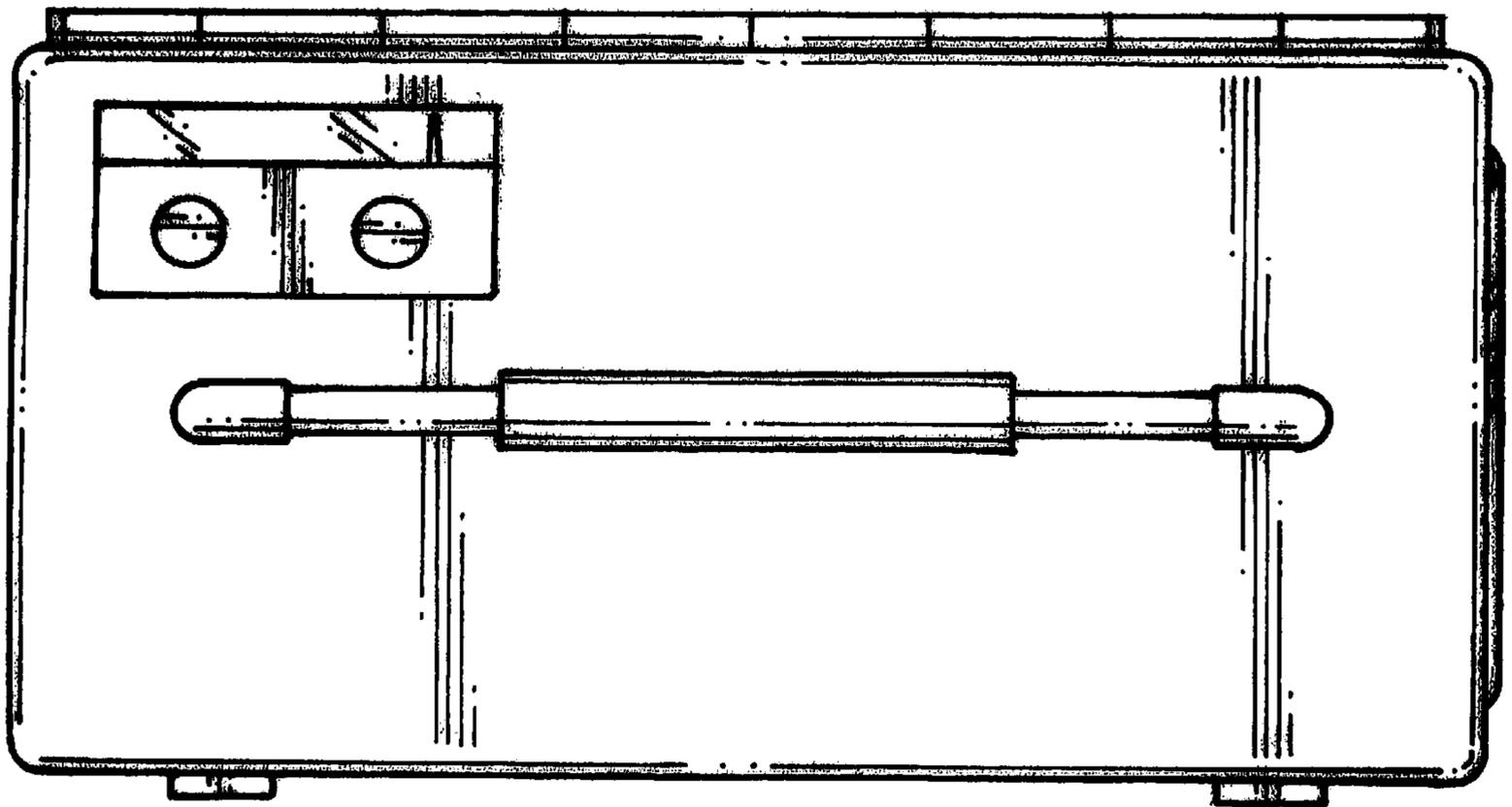


FIG. 6.

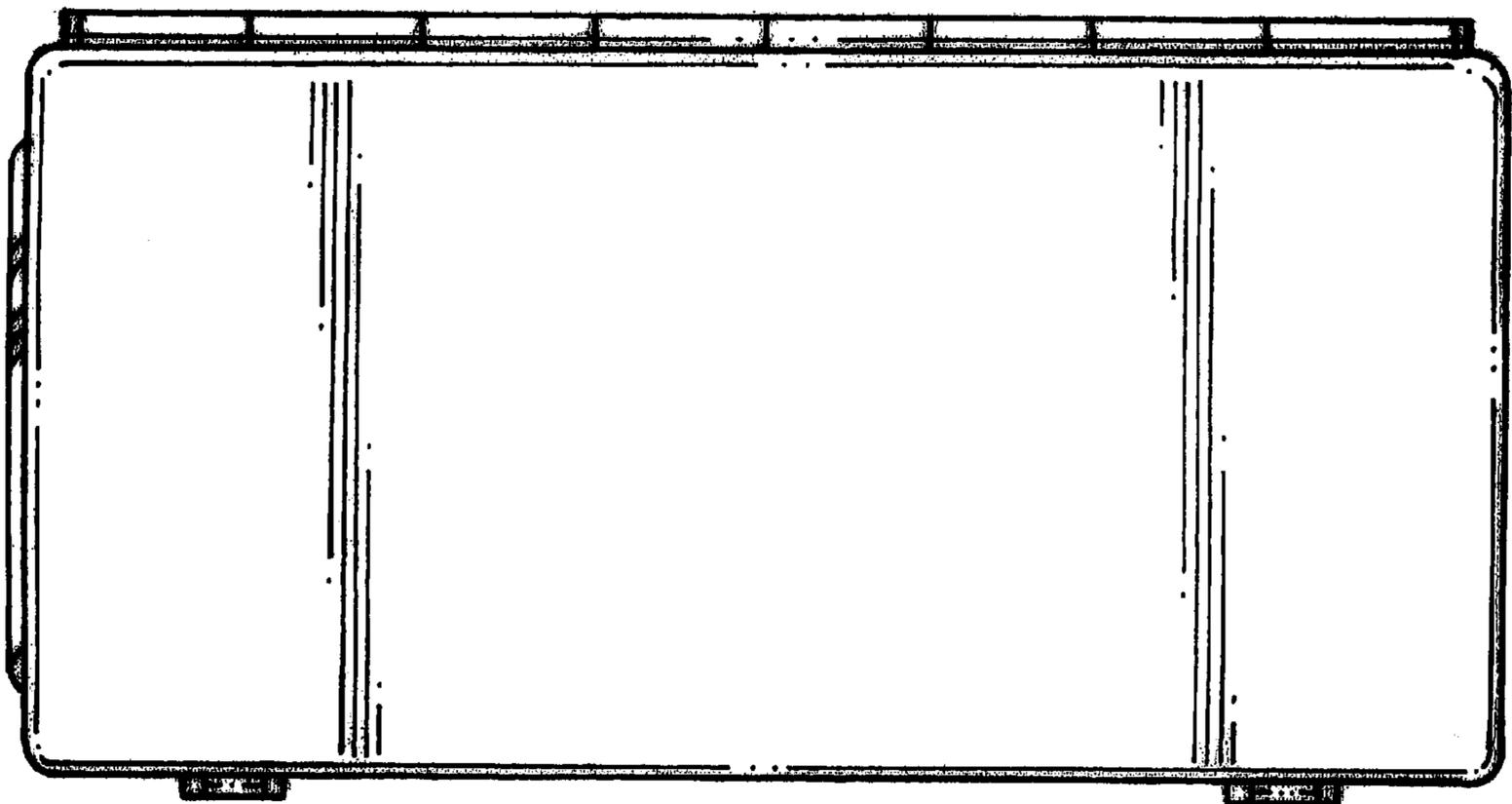


FIG. 7.