



US00D479761S

(12) **United States Design Patent**
Tsai

(10) **Patent No.:** **US D479,761 S**

(45) **Date of Patent:** **** Sep. 16, 2003**

(54) **HANDCART**

D401,729 S * 11/1998 Wu D34/26
D466,267 S * 11/2002 Lee D34/24

(76) Inventor: **James Tsai**, No. 103, Ta-Ming 1 Road,
Tung Pao Village, Tan Tzu Hsian,
Taichung Hsien (TW)

* cited by examiner

(**) Term: **14 Years**

Primary Examiner—Kay H. Chin

(74) *Attorney, Agent, or Firm*—Bacon & Thomas, PLLC

(21) Appl. No.: **29/171,977**

(57) **CLAIM**

(22) Filed: **Dec. 4, 2002**

The ornamental design for a “handcart”, as shown and described.

(51) **LOC (7) Cl.** **12-02**

DESCRIPTION

(52) **U.S. Cl.** **D34/24**

(58) **Field of Search** D34/12-27; 280/651,
280/652, 655, 655.1, 654, 47.24, 447.27,
47.29, 47.18

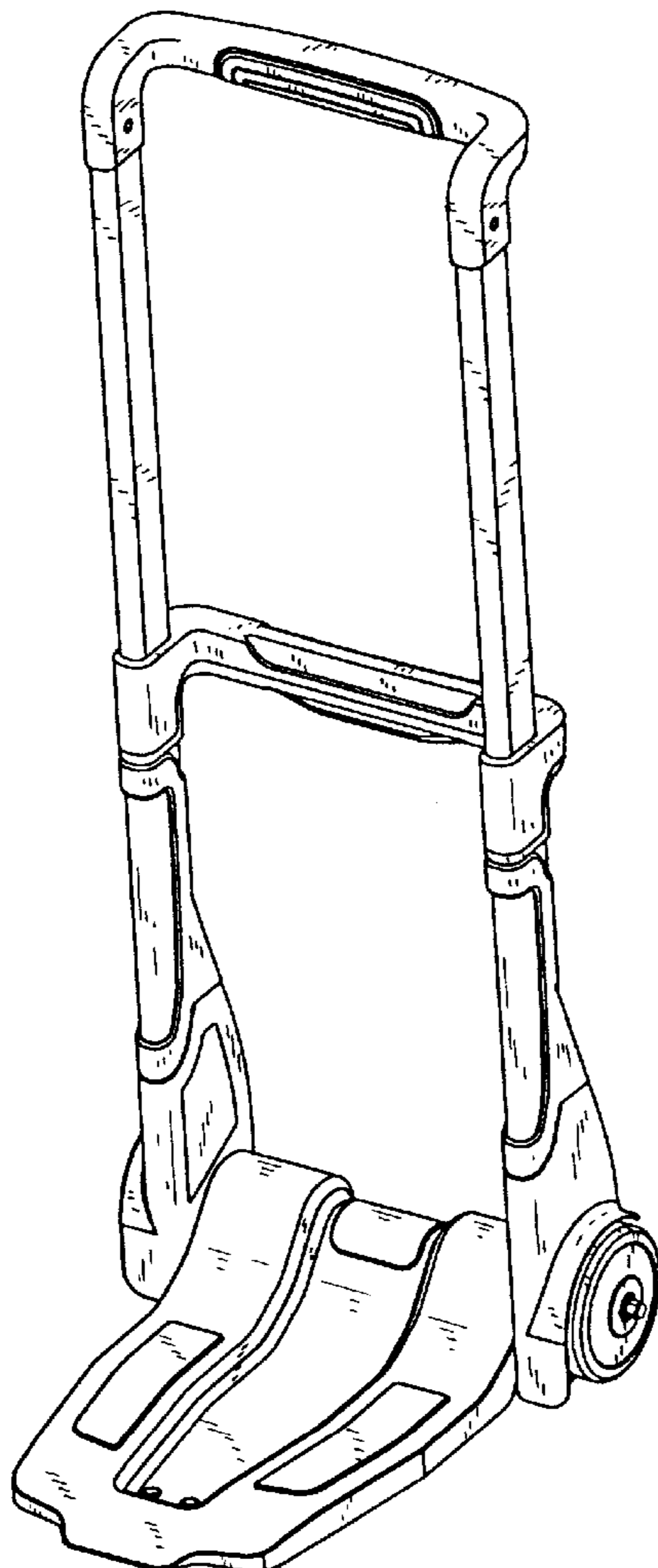
FIG. 1 is a perspective view of a handcart.
FIG. 2 is a right side elevational view thereof.
FIG. 3 is a top plan view thereof.
FIG. 4 is a front elevational view thereof.
FIG. 5 is a bottom plan view thereof.
FIG. 6 is a left side elevational view thereof.
FIG. 7 is a rear elevational view thereof; and,
FIG. 8 is a perspective view thereof in collapsed condition.

(56) **References Cited**

U.S. PATENT DOCUMENTS

D342,363 S * 12/1993 Stein D34/26
5,464,244 A * 11/1995 Tsai 280/655
D365,187 S * 12/1995 Tsai D34/26

1 Claim, 4 Drawing Sheets



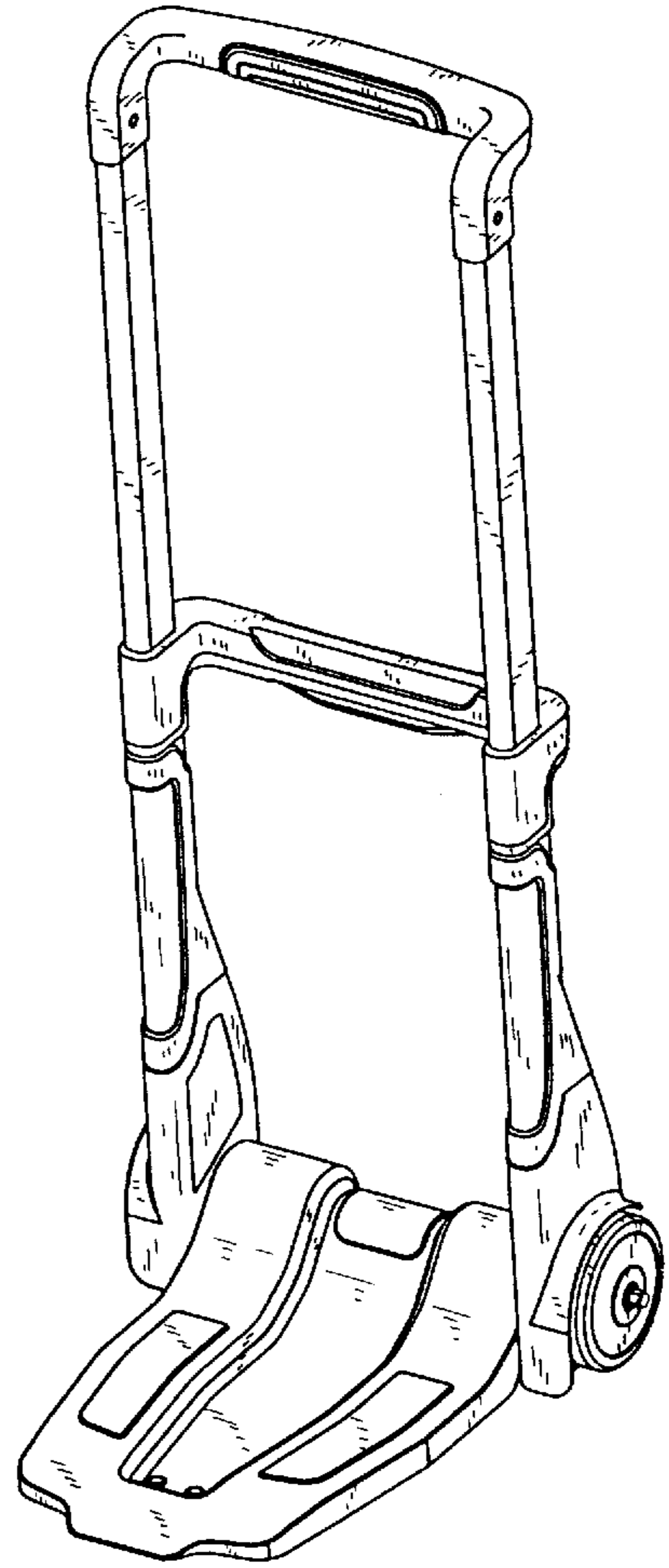


FIG. 1

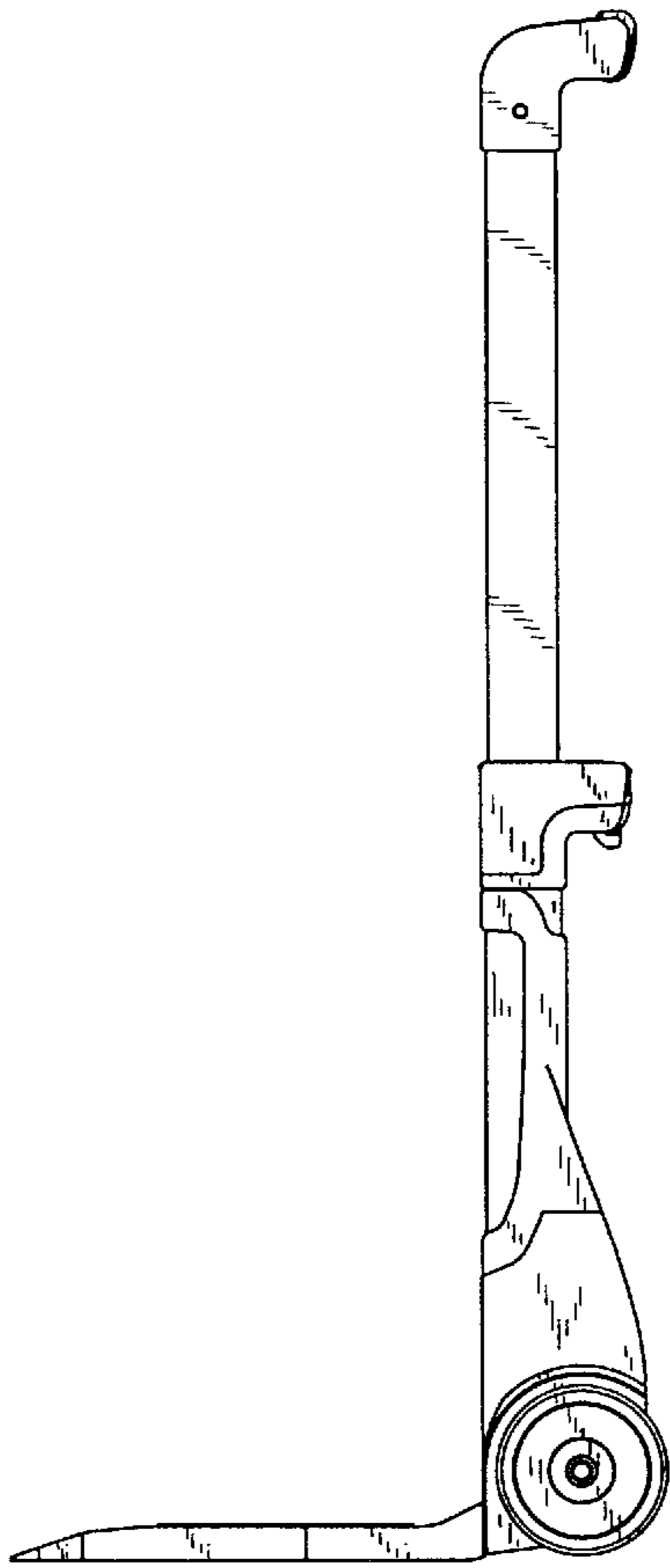


FIG. 2

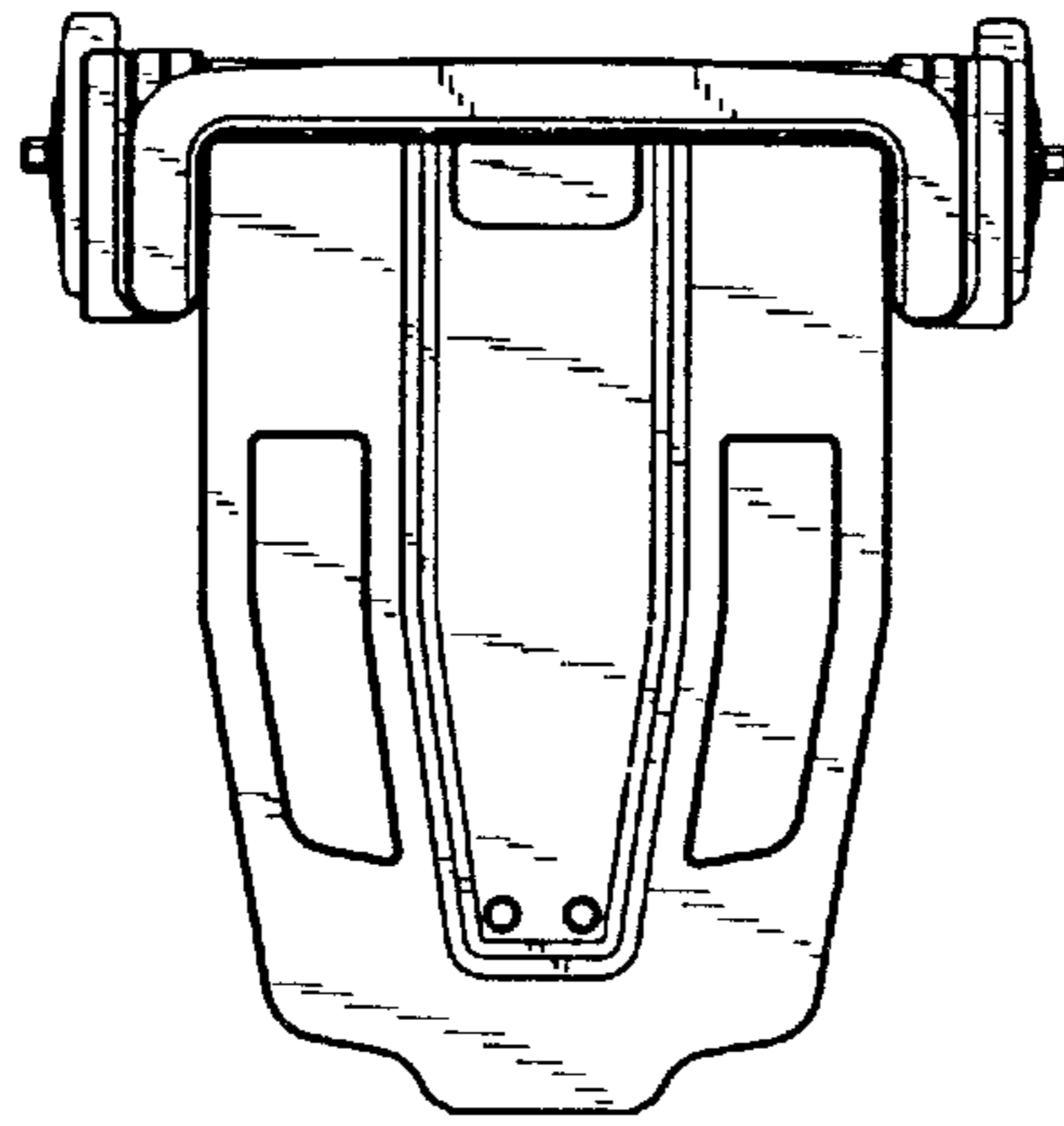


FIG. 3

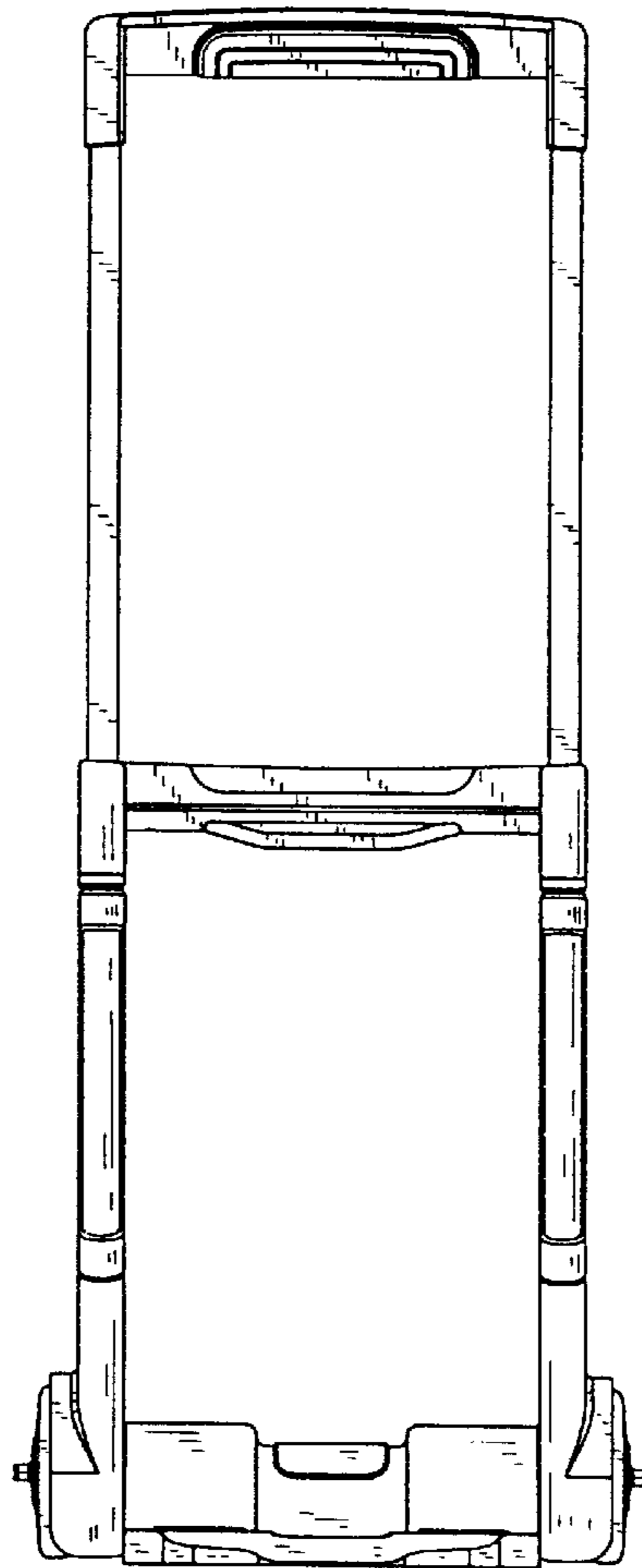


FIG. 4

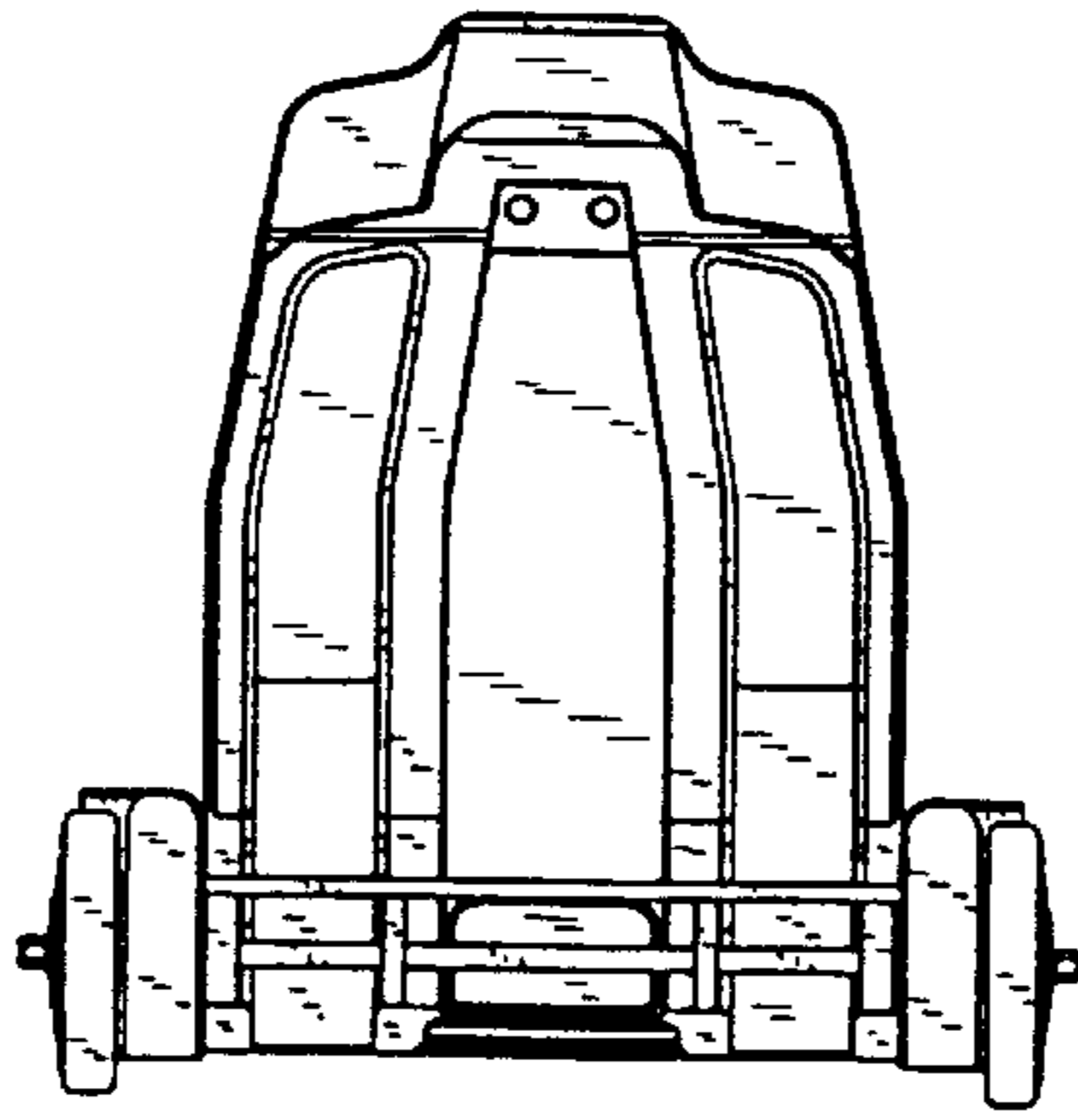


FIG. 5

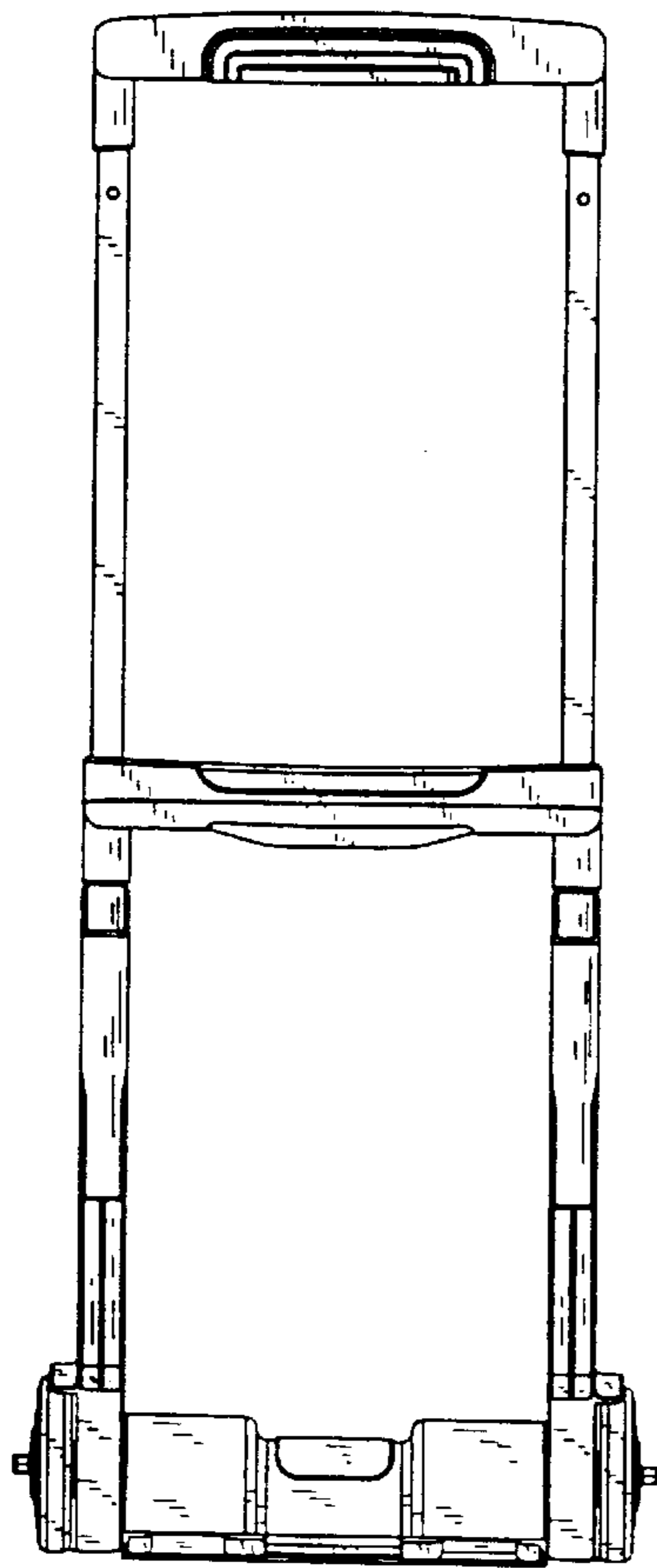


FIG. 7

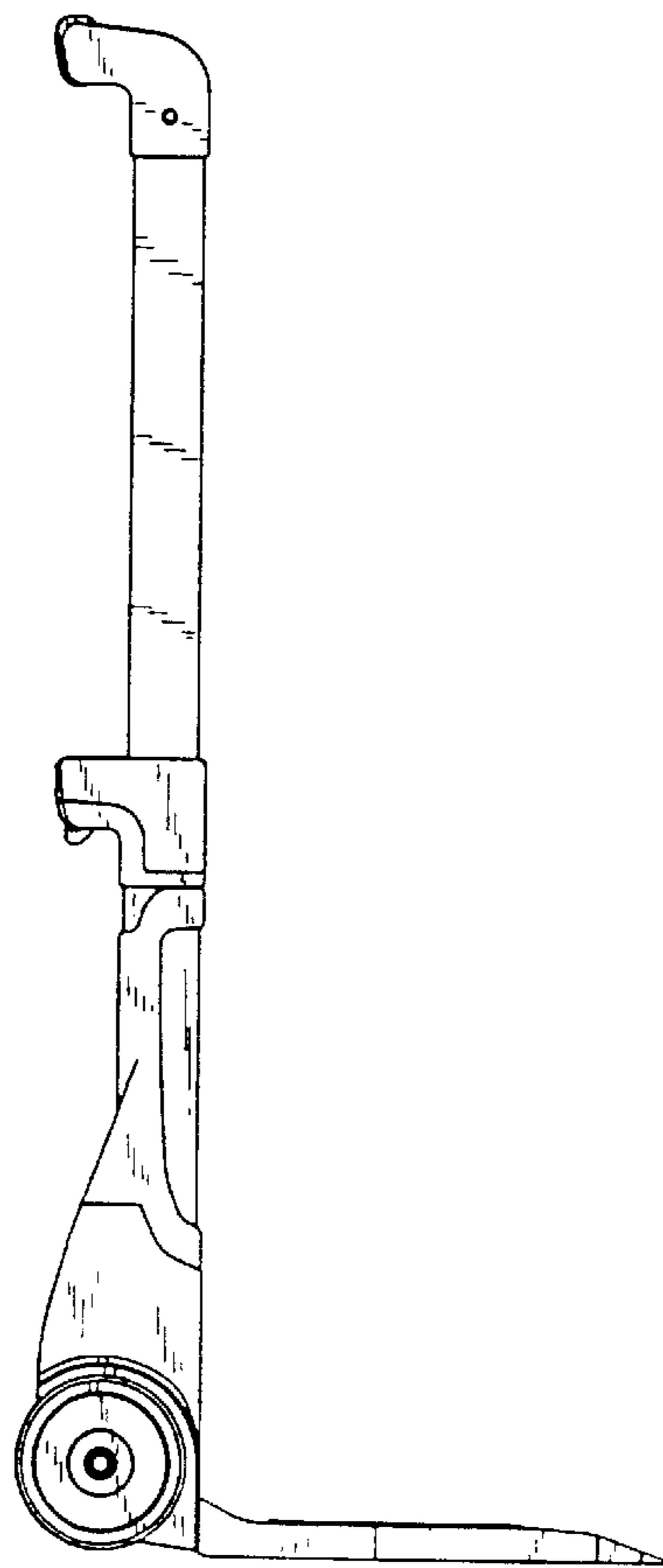


FIG. 6

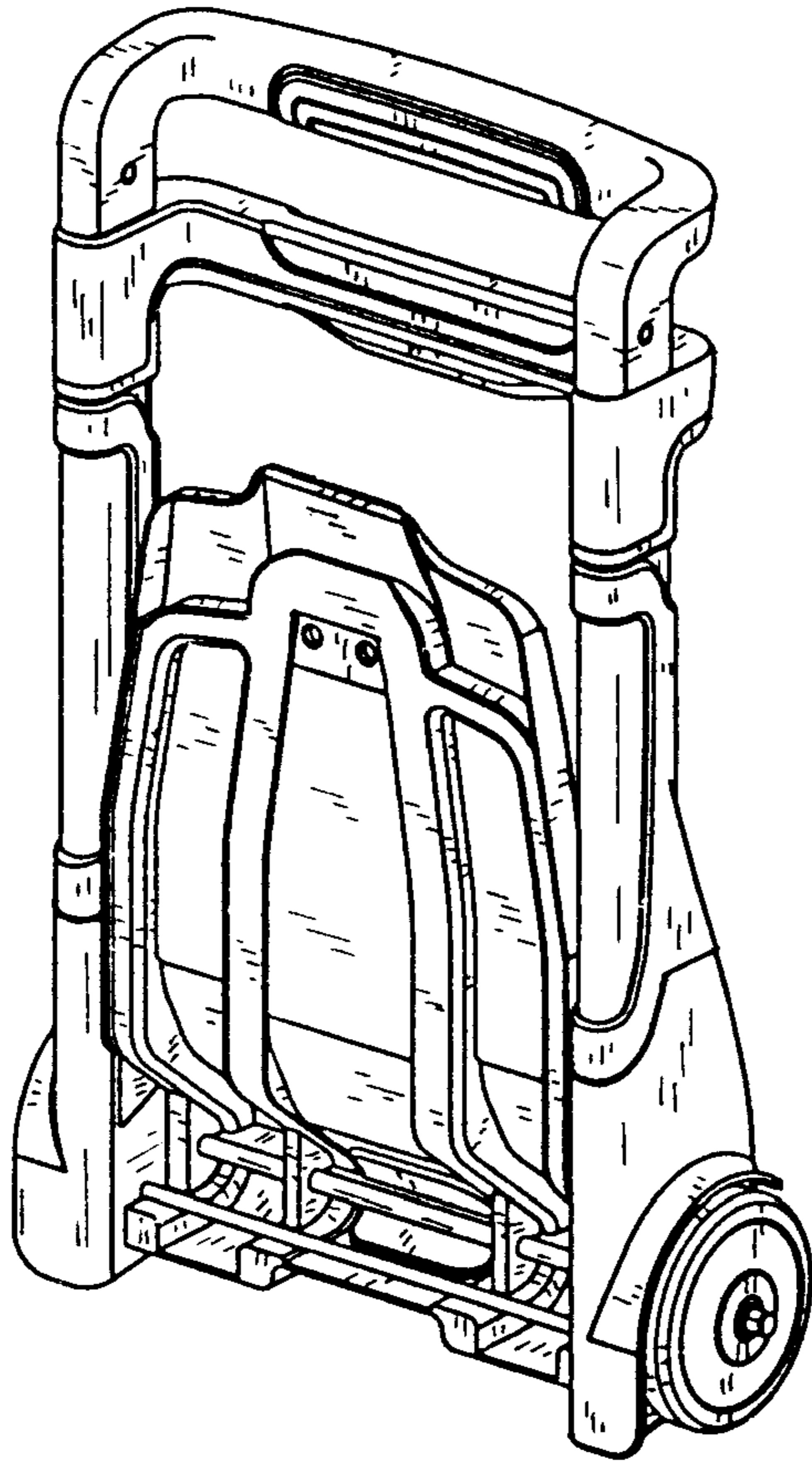


FIG. 8