



US00D479759S

(12) **United States Design Patent**
Johnson

(10) **Patent No.:** **US D479,759 S**

(45) **Date of Patent:** **** Sep. 16, 2003**

(54) **UNDER-CAST SCRATCHING DEVICE**

D462,480 S * 9/2002 Jones D28/7

(76) Inventor: **Kip O. Johnson**, 1023 Bernheimer Rd.,
Marthasville, MO (US) 63357

* cited by examiner

(**) Term: **14 Years**

Primary Examiner—Jennifer Rivard

(74) *Attorney, Agent, or Firm*—Donald R. Schoonover

(21) Appl. No.: **29/171,818**

(57) **CLAIM**

(22) Filed: **Dec. 2, 2002**

I claim the ornamental design for an under-cast scratching device, as shown and described.

(51) **LOC (7) Cl.** **28-99**

DESCRIPTION

(52) **U.S. Cl.** **D28/91.2; D24/147**

(58) **Field of Search** 601/136, 137;
D28/99, 91.2, 7; D24/133, 147

FIG. 1 is a perspective view of an under-cast scratching device showing my new design;

FIG. 2 is a bottom plan view thereof;

FIG. 3 is a top plan view thereof;

FIG. 4 is a side elevational view thereof, the opposite side elevational view being a mirror image thereof;

FIG. 5 is an end elevational view thereof;

FIG. 6 is an elevational view of the opposite end thereof; and,

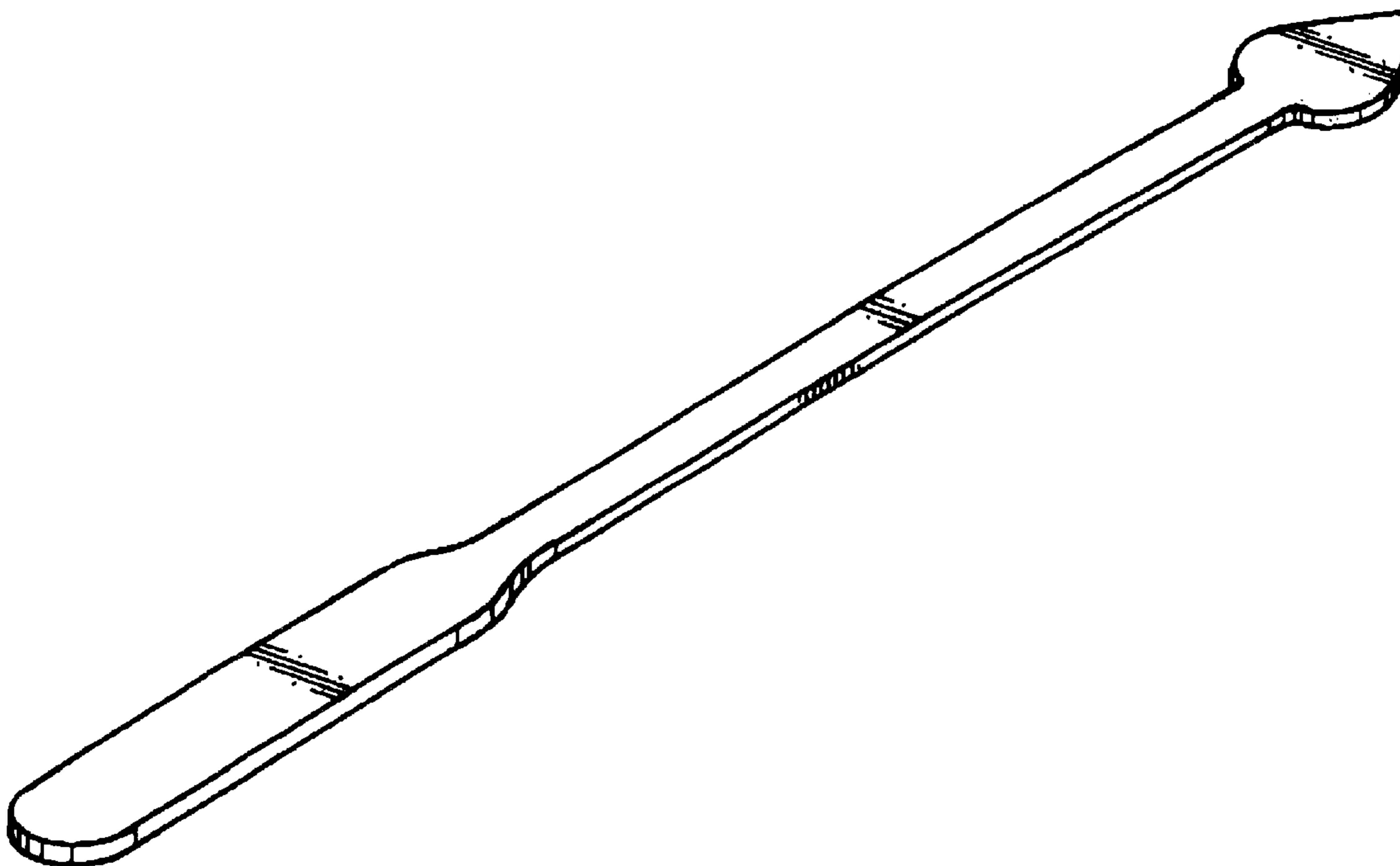
FIG. 7 is a perspective view showing the under-cast scratching device in use; the broken lines depict environmental structure and form no part of the claimed design.

(56) **References Cited**

U.S. PATENT DOCUMENTS

4,616,629	A	10/1986	Moore	
4,667,659	A	5/1987	Hayday	
4,892,091	A	1/1990	Sallenger	
4,945,903	A	8/1990	Alper	
D342,999	S	* 1/1994	Gonsalves, Jr. D28/91.2
D370,729	S	6/1996	Hurlburt et al.	
D372,978	S	* 8/1996	Harvey D28/91.2
5,730,709	A	* 3/1998	Sergent 601/137

1 Claim, 3 Drawing Sheets



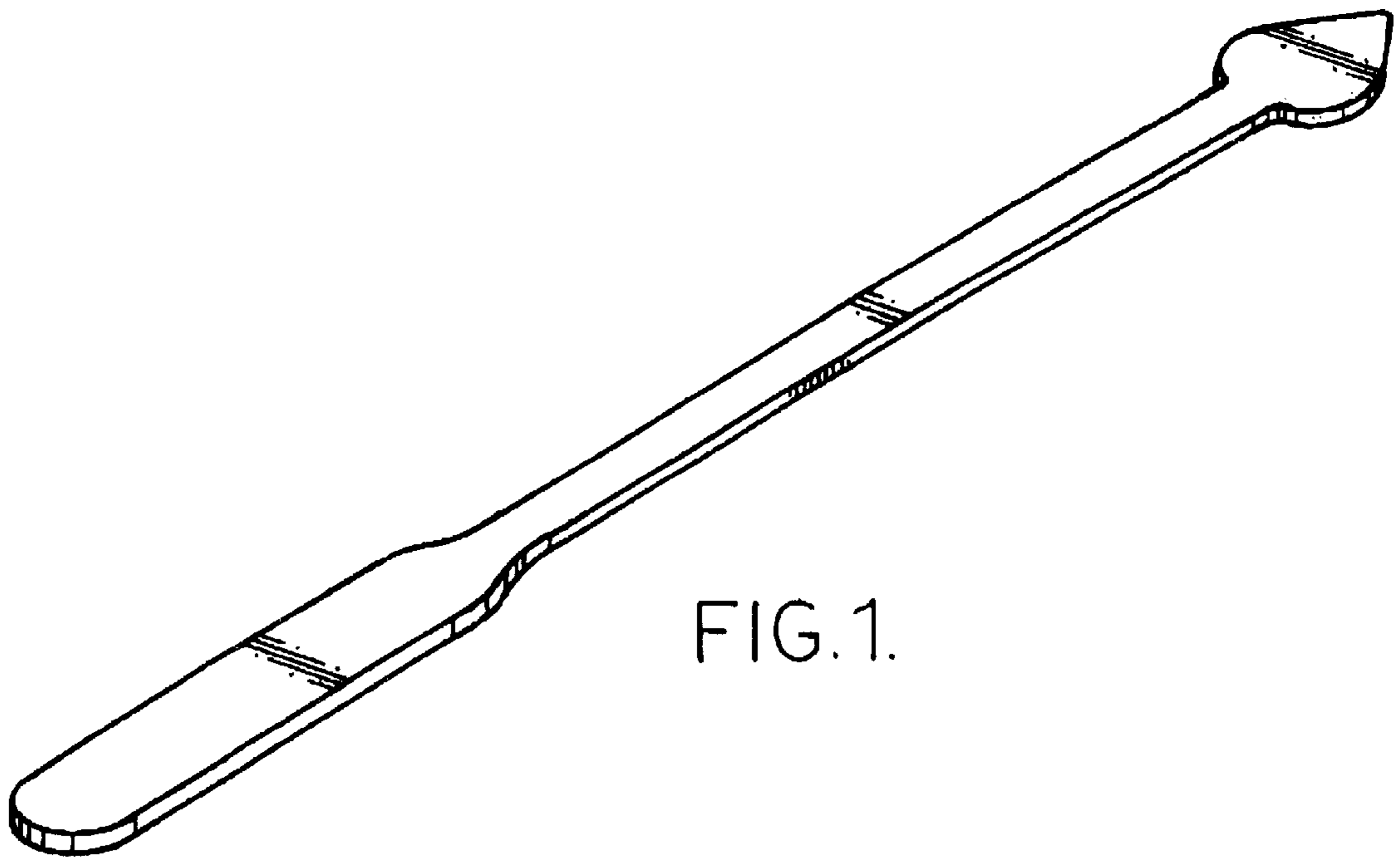


FIG. 1.

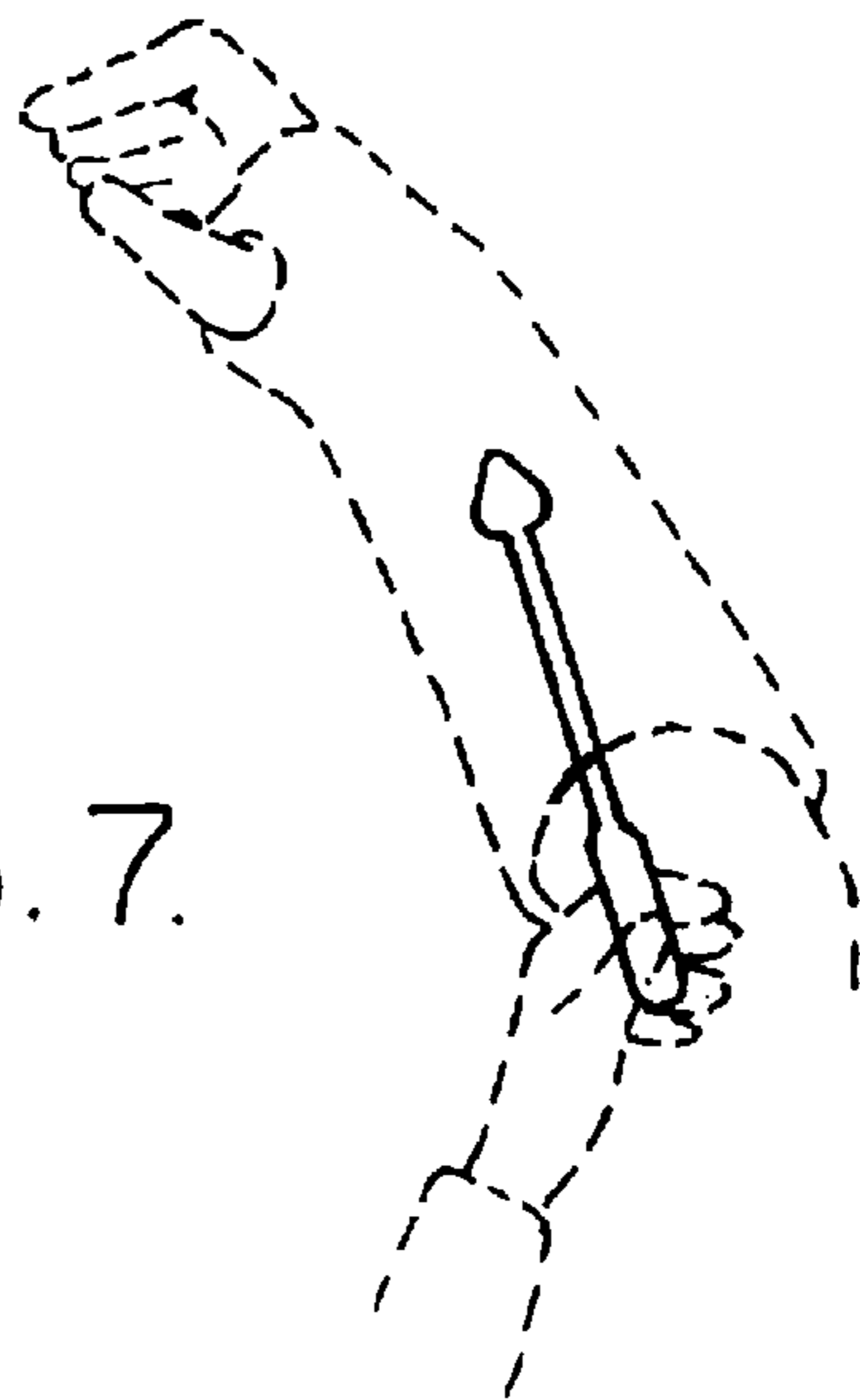


FIG. 7.



FIG. 2.



FIG. 4.



FIG. 6.

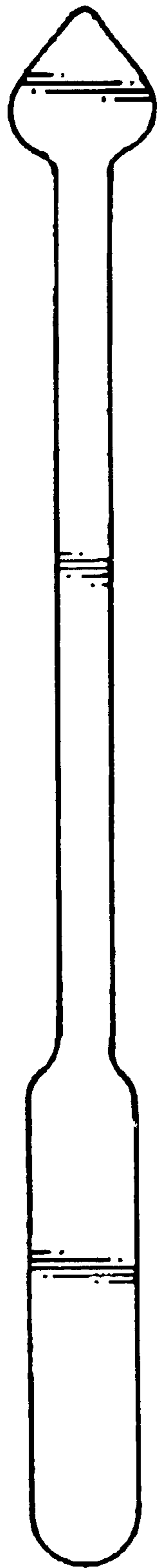


FIG. 3.



FIG. 5.