



US00D479755S

(12) **United States Design Patent**  
**Yanada**

(10) **Patent No.:** **US D479,755 S**

(45) **Date of Patent:** **\*\* Sep. 16, 2003**

(54) **FRONT COMBINATION LAMP FOR AN AUTOMOBILE**

2001 Honda ACCORD COUPE, Brochure of ACCORD COUPE, 2001.

(75) Inventor: **Masahiro Yanada**, Aichi-ken (JP)

\* cited by examiner

(73) Assignee: **Toyota Jidosha Kabushiki Kaisha (JP)**

*Primary Examiner*—Marcus A. Jackson

(\*\*) Term: **14 Years**

(74) *Attorney, Agent, or Firm*—SAIDMAN DesignLaw Group

(21) Appl. No.: **29/170,738**

(22) Filed: **Nov. 12, 2002**

(30) **Foreign Application Priority Data**

Jul. 25, 2002 (JP) ..... 2002-019898

(51) **LOC (7) Cl.** ..... **26-06**

(52) **U.S. Cl.** ..... **D26/28**

(58) **Field of Search** ..... D26/28-36; 362/61, 362/80, 81, 82, 83, 83.4, 267, 269, 275, 330-340

(56) **References Cited**

**U.S. PATENT DOCUMENTS**

D406,910 S \* 3/1999 Bangle ..... D26/28  
D473,665 S \* 4/2003 Tanabe ..... D26/28

**OTHER PUBLICATIONS**

2001 Toyota MARK II, Brochure of MARK II, Aug. 2001.  
2001 Mitsubishi LANCER EVOLUTION VII, Motor Fan Extra No. 278, Mar. 17, 2001.

(57) **CLAIM**

The ornamental design for a front combination lamp for an automobile, as shown and described.

**DESCRIPTION**

FIG. 1 is a front and side perspective view of a front combination lamp for an automobile showing my new design;

FIG. 2 is a front view thereof;

FIG. 3 is a rear view thereof;

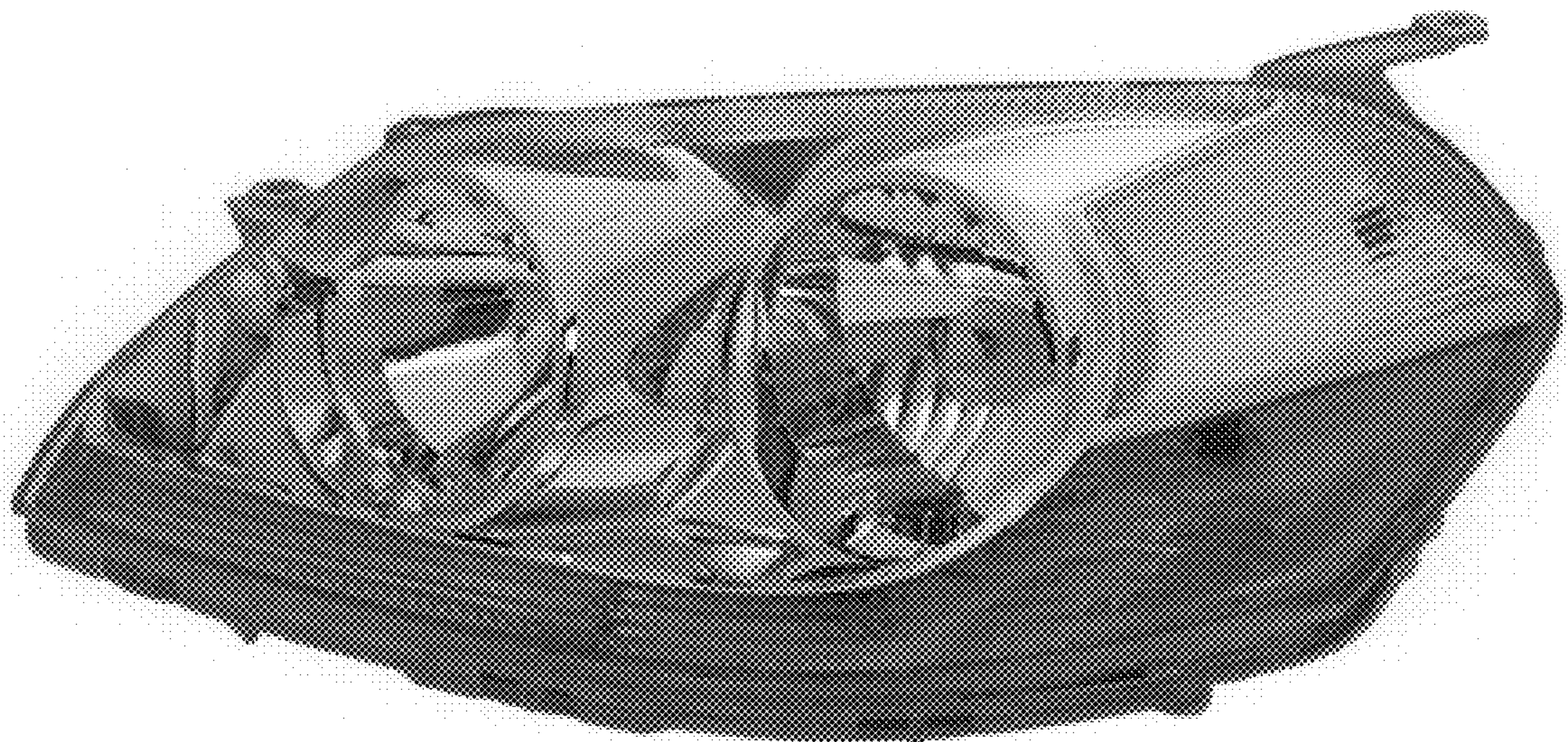
FIG. 4 is a right side view thereof;

FIG. 5 is a left side view thereof;

FIG. 6 is a top view thereof; and,

FIG. 7 is a bottom view thereof.

**1 Claim, 3 Drawing Sheets**





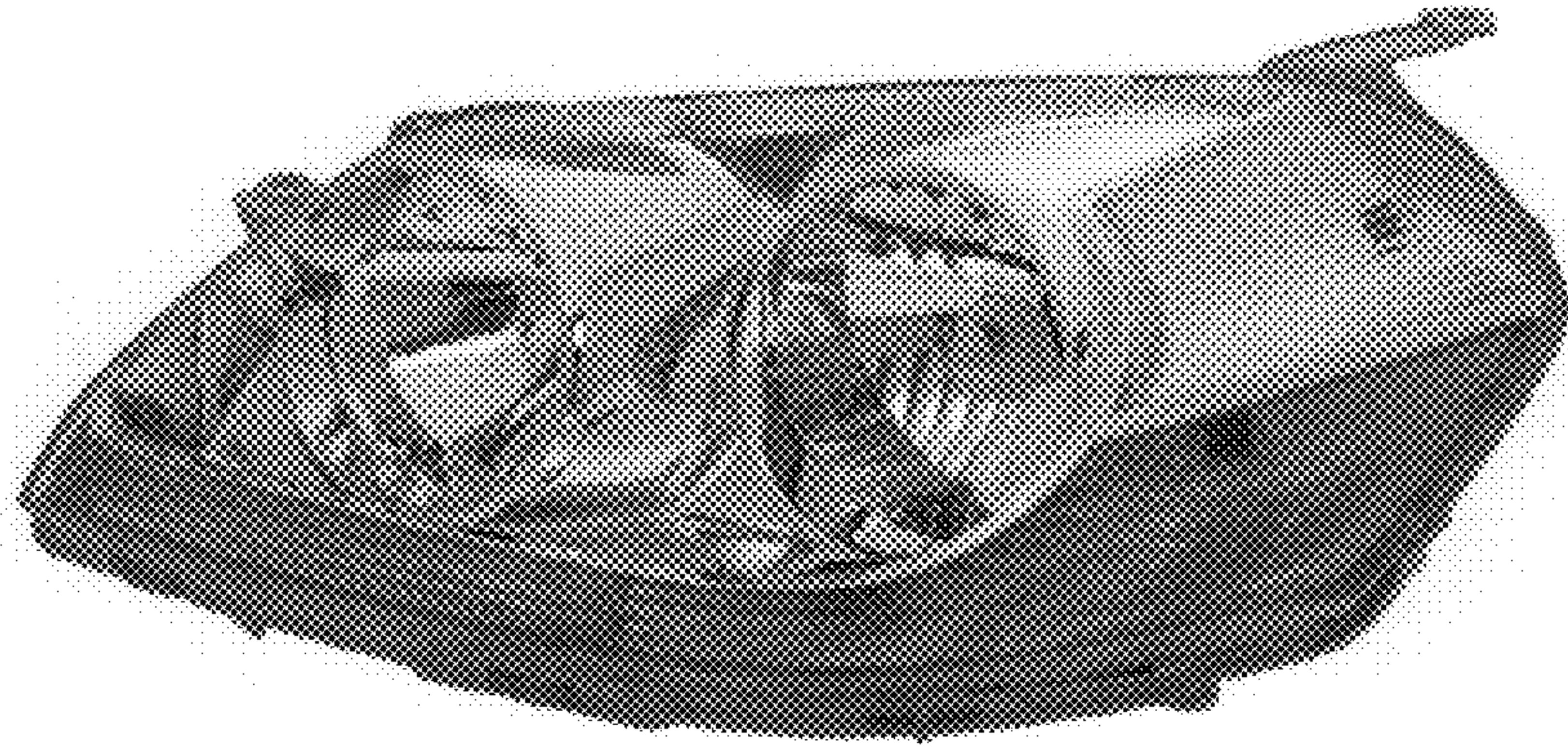


FIG. 1

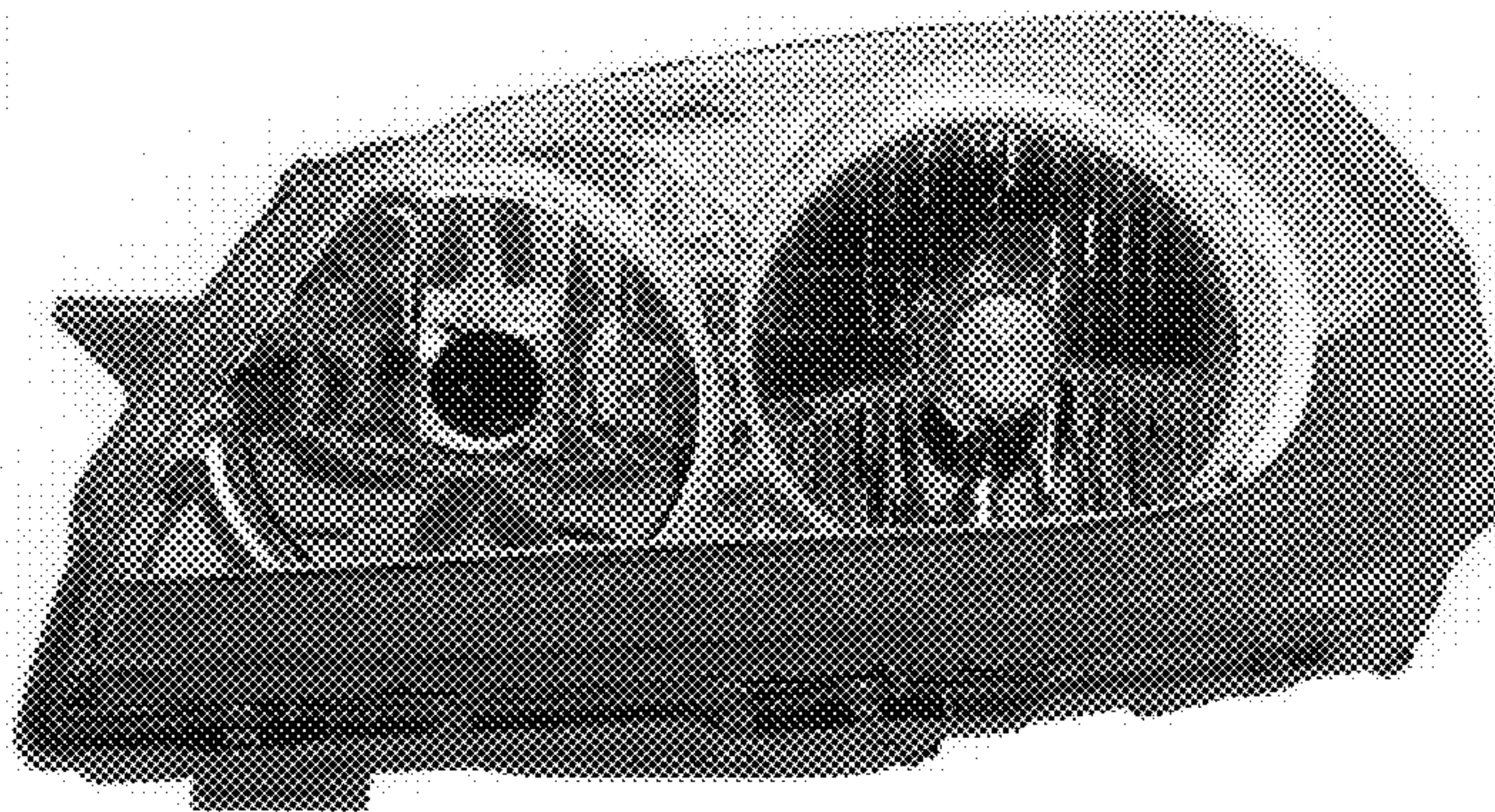


FIG. 2

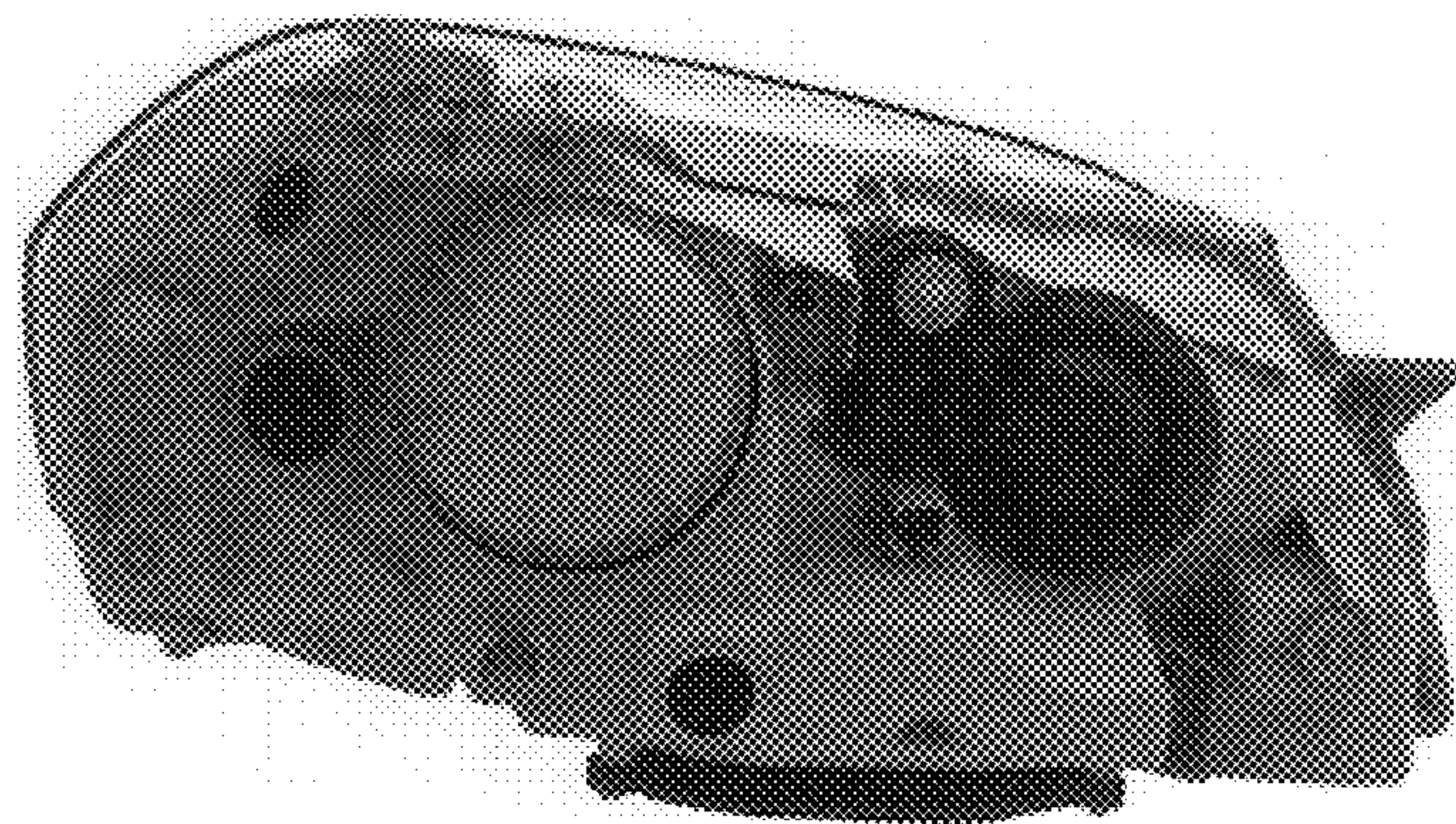
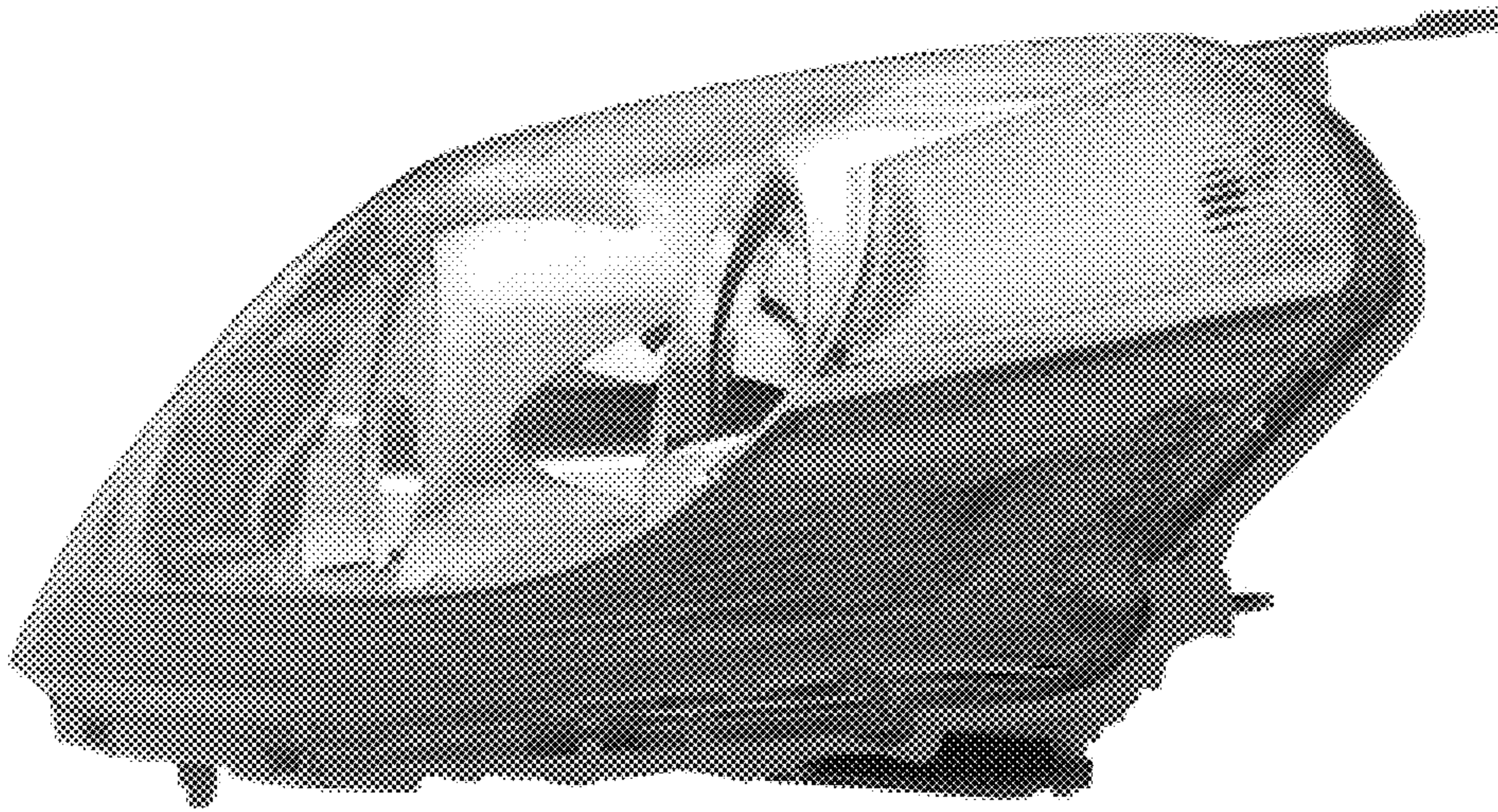
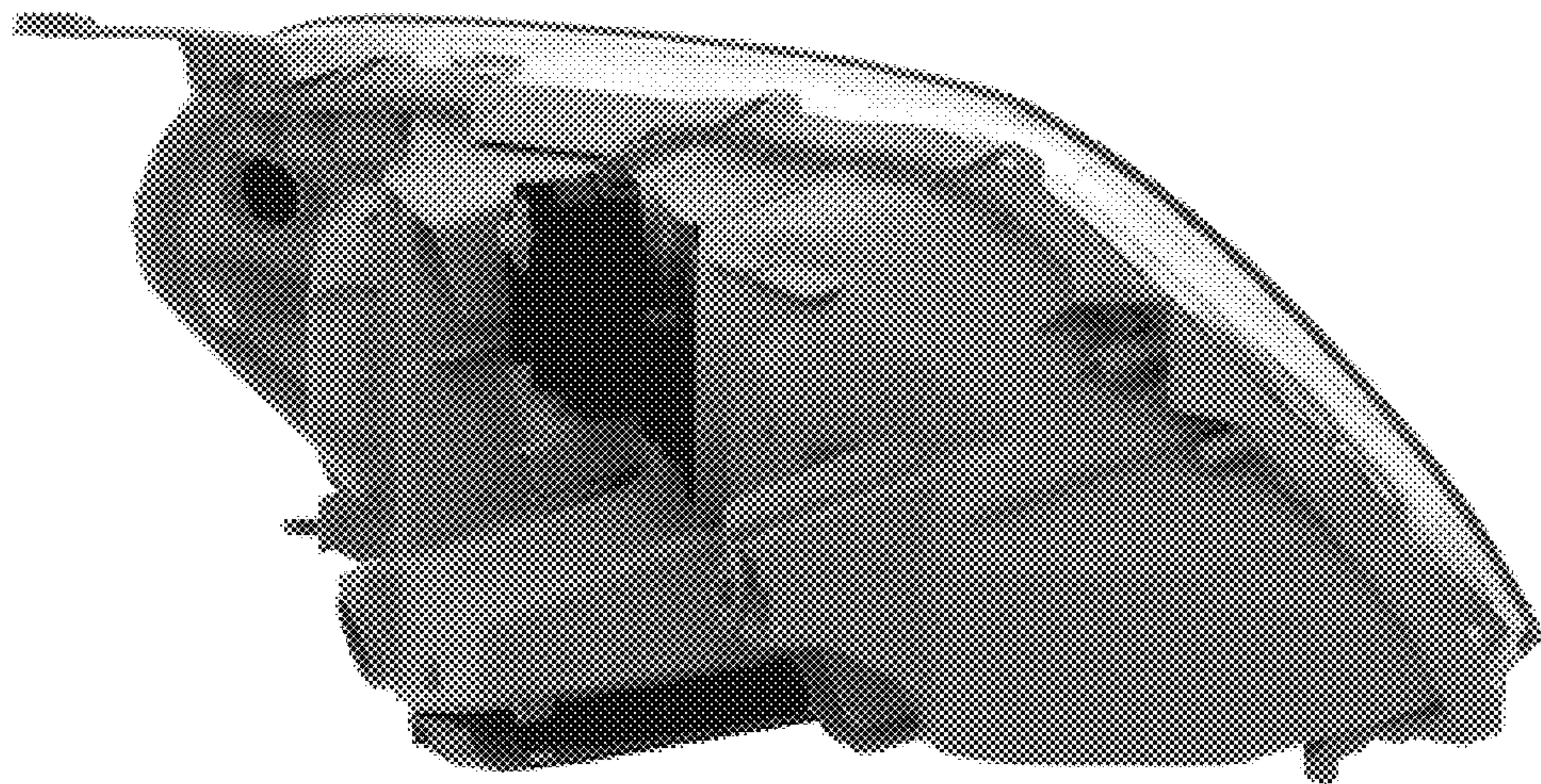


FIG. 3





**FIG. 4**



**FIG. 5**



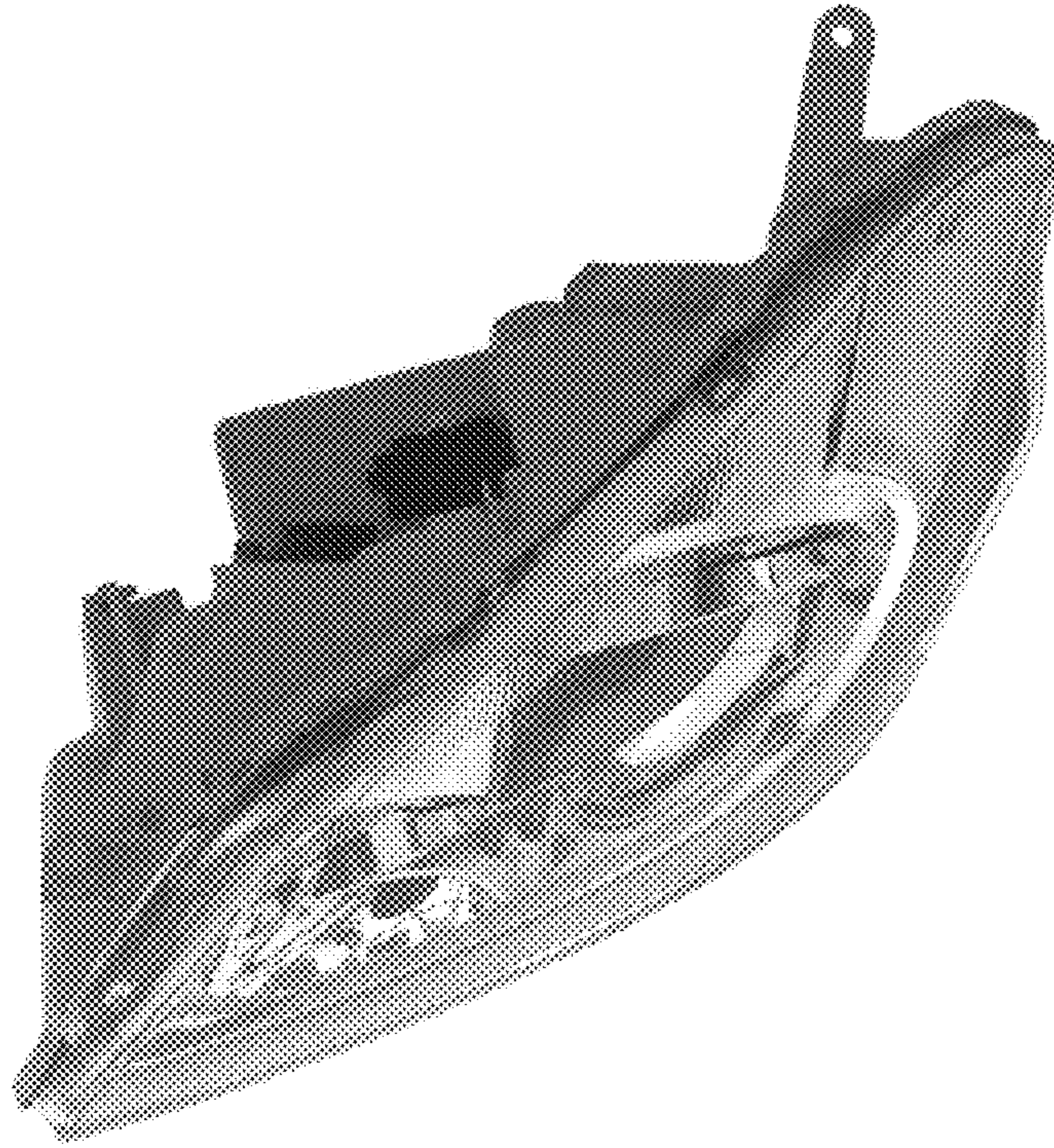


FIG. 6

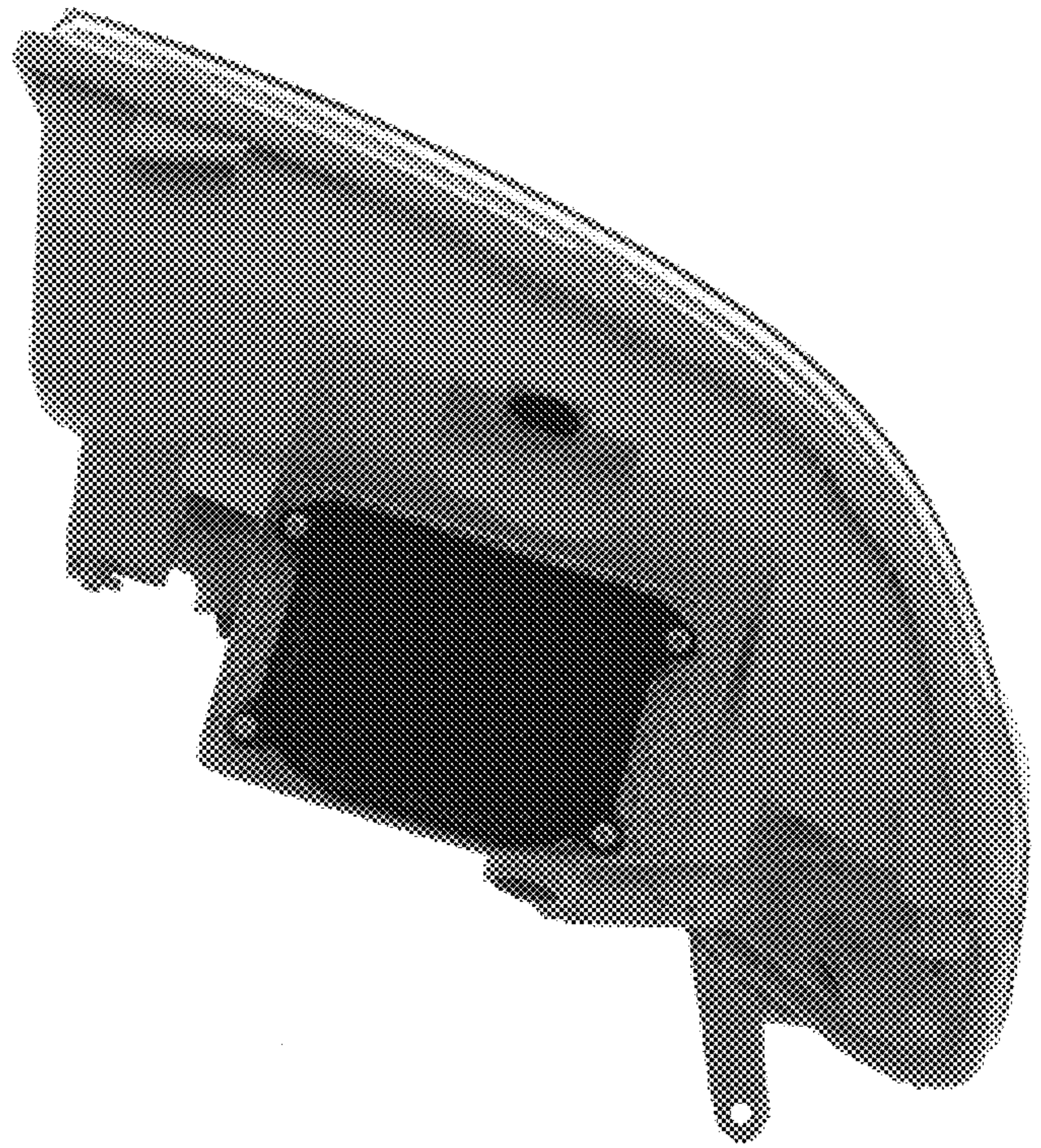


FIG. 7