



US00D479752S

(12) **United States Design Patent**
Kakuno et al.

(10) **Patent No.:** **US D479,752 S**

(45) **Date of Patent:** **** Sep. 16, 2003**

(54) **FLUORESCENT LAMP**

(75) Inventors: **Yoshinori Kakuno**, Osaka (JP); **Shirou Iida**, Kyoto (JP); **Akiko Nakanishi**, Osaka (JP)

(73) Assignee: **Matsushita Electric Industrial Co., Ltd.**, Osaka (JP)

(**) Term: **14 Years**

(21) Appl. No.: **29/170,685**

(22) Filed: **Nov. 8, 2002**

(30) **Foreign Application Priority Data**

May 10, 2002 (JP) 2002-012426

(51) **LOC (7) Cl.** **26-06**

(52) **U.S. Cl.** **D26/3**

(58) **Field of Search** D26/1, 2, 3, 4, D26/26; 313/313, 315, 317, 318, 493; 315/52, 53, 56, 57, 58; 362/216, 222, 310

(56) **References Cited**

U.S. PATENT DOCUMENTS

D292,130 S * 9/1987 Kubo et al. D26/3

D327,132 S * 6/1992 Schuster D26/3

D353,901 S * 12/1994 Sangen et al. D26/3

D372,992 S * 8/1996 Martich et al. D26/3

D415,293 S 10/1999 Kato et al.

D420,155 S 2/2000 Kato et al.

D437,946 S 2/2001 Choi

D448,502 S 9/2001 Choi

* cited by examiner

Primary Examiner—Marcus A. Jackson

(74) *Attorney, Agent, or Firm*—Christensen O'Connor Johnson Kindness PLLC

(57) **CLAIM**

The ornamental design for a fluorescent lamp, as shown and described.

DESCRIPTION

FIG. 1 is a perspective view of the top, front and right side of a fluorescent lamp showing my new design;

FIG. 2 is a front view thereof;

FIG. 3 is a rear view thereof;

FIG. 4 is a left side view thereof;

FIG. 5 is a right side view thereof;

FIG. 6 is a top plan view thereof; and,

FIG. 7 is a bottom view thereof.

1 Claim, 4 Drawing Sheets

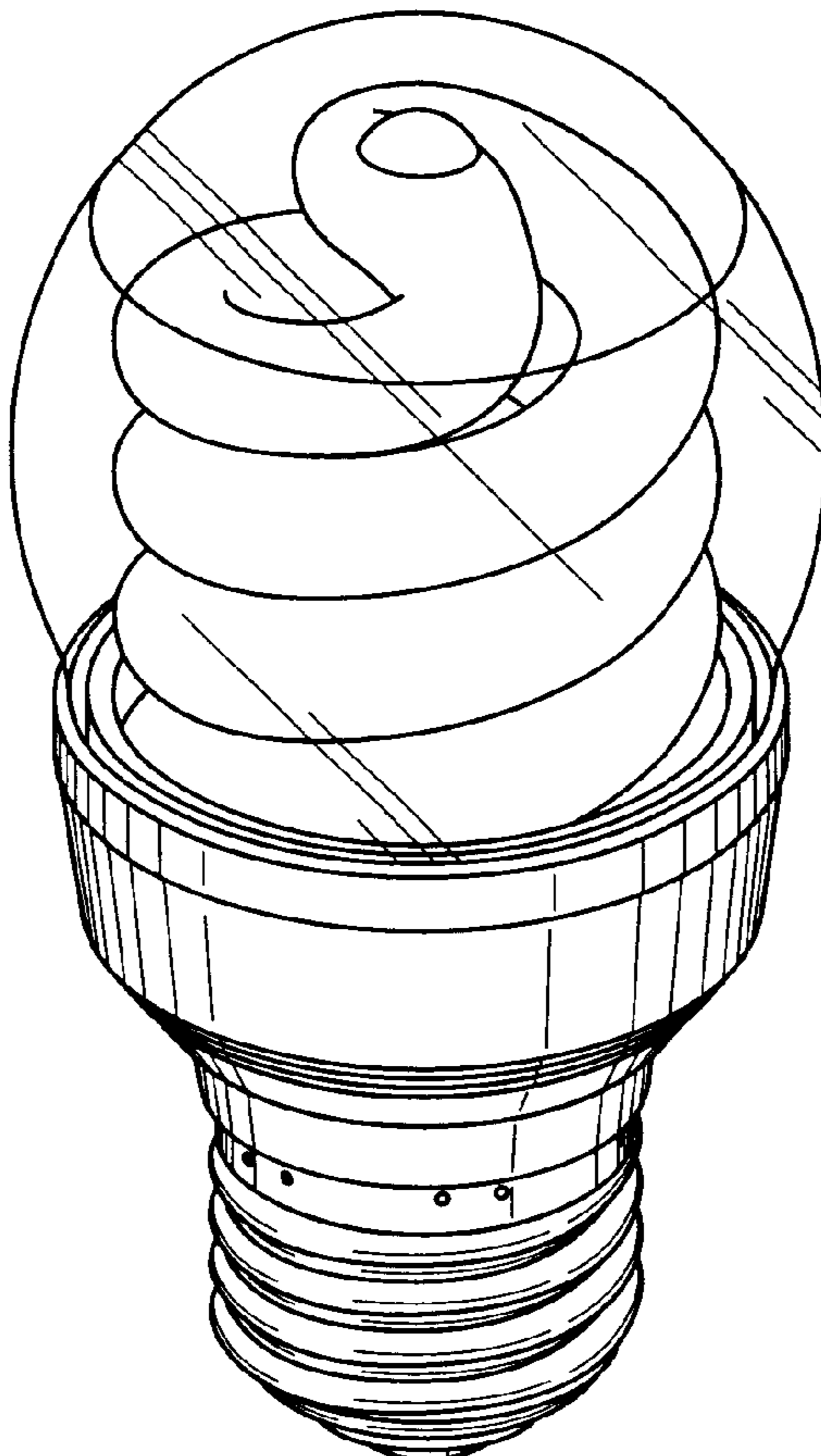


FIG. 1

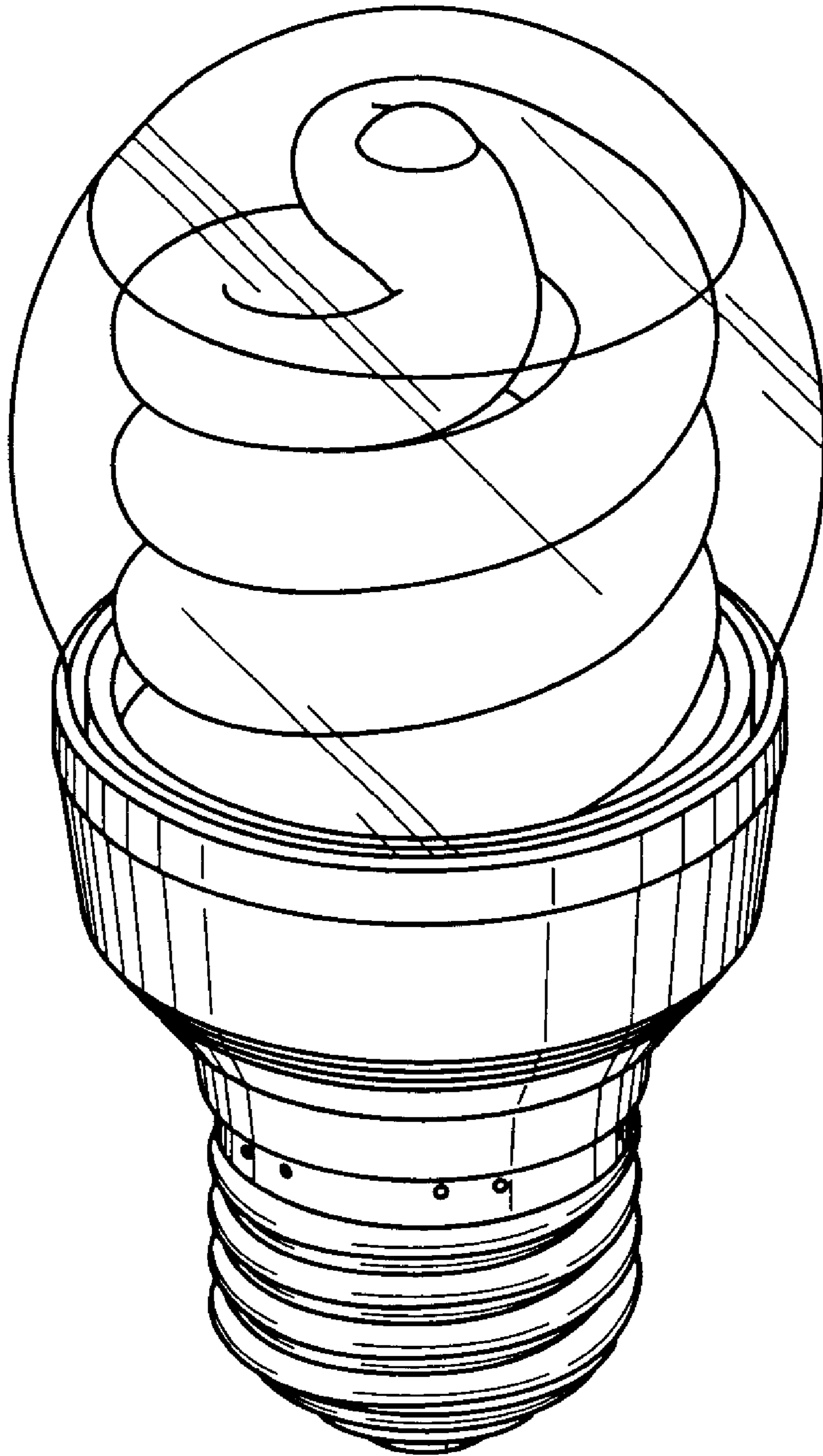


FIG. 2

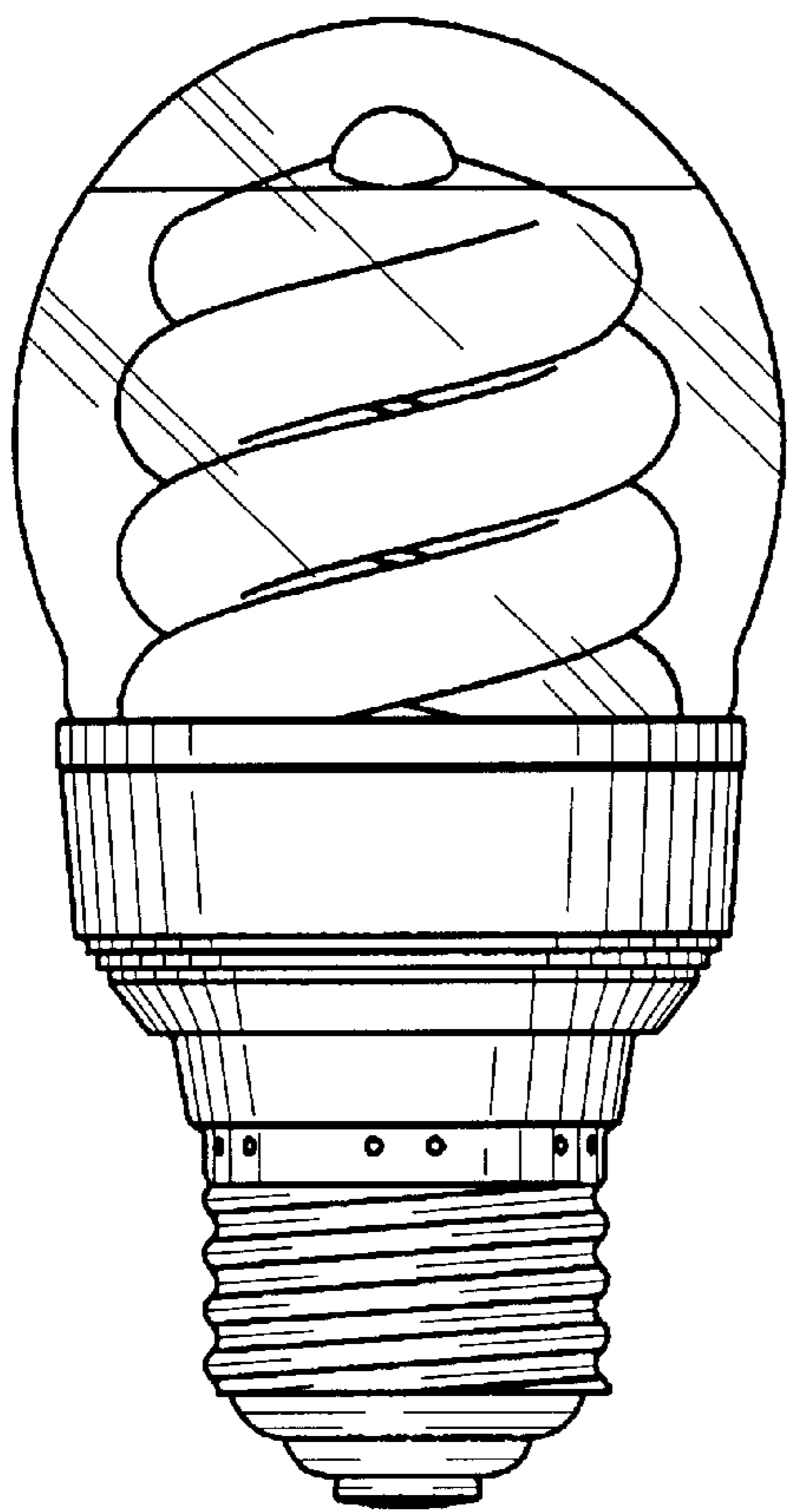


FIG. 3

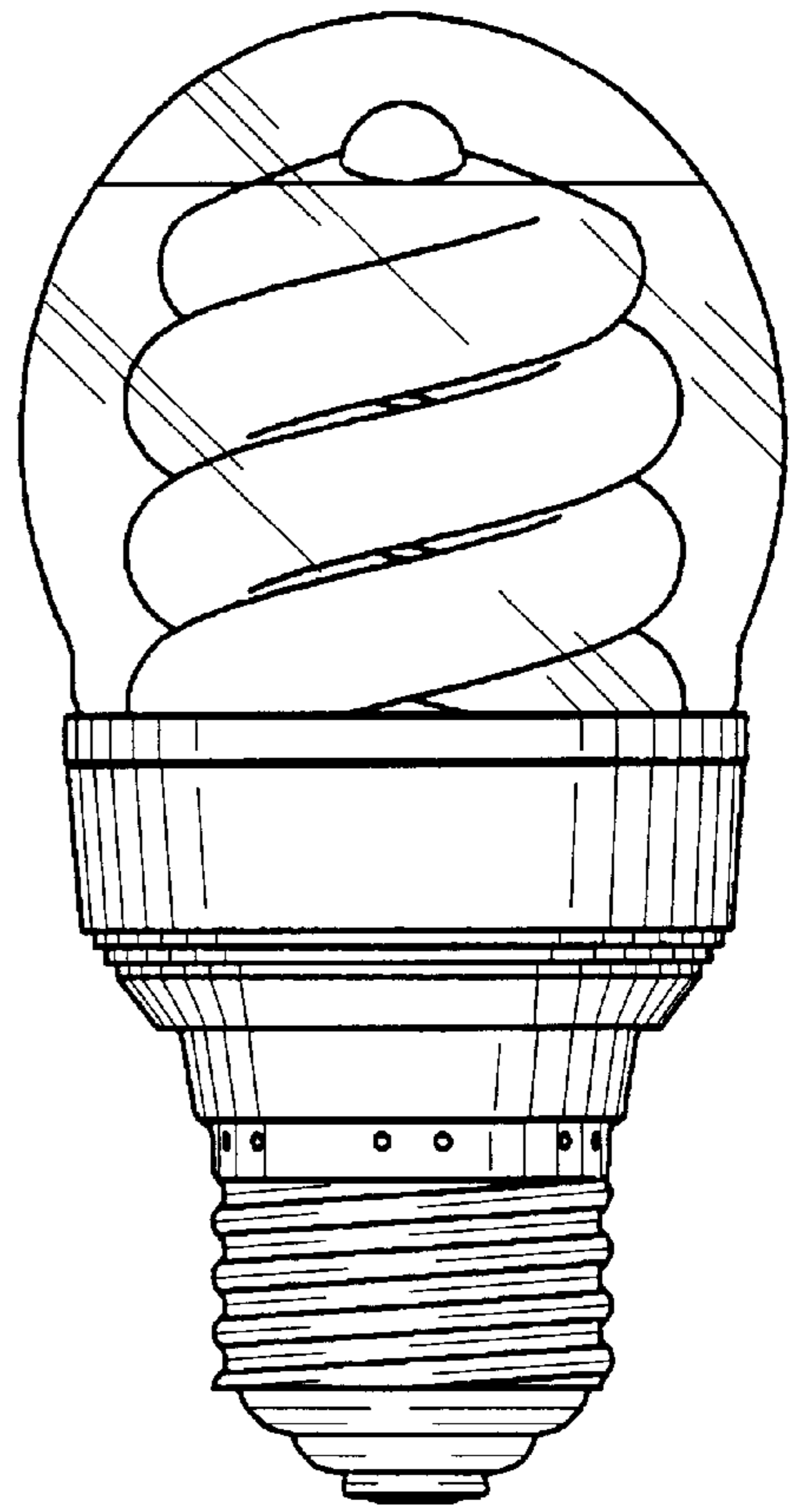


FIG. 4

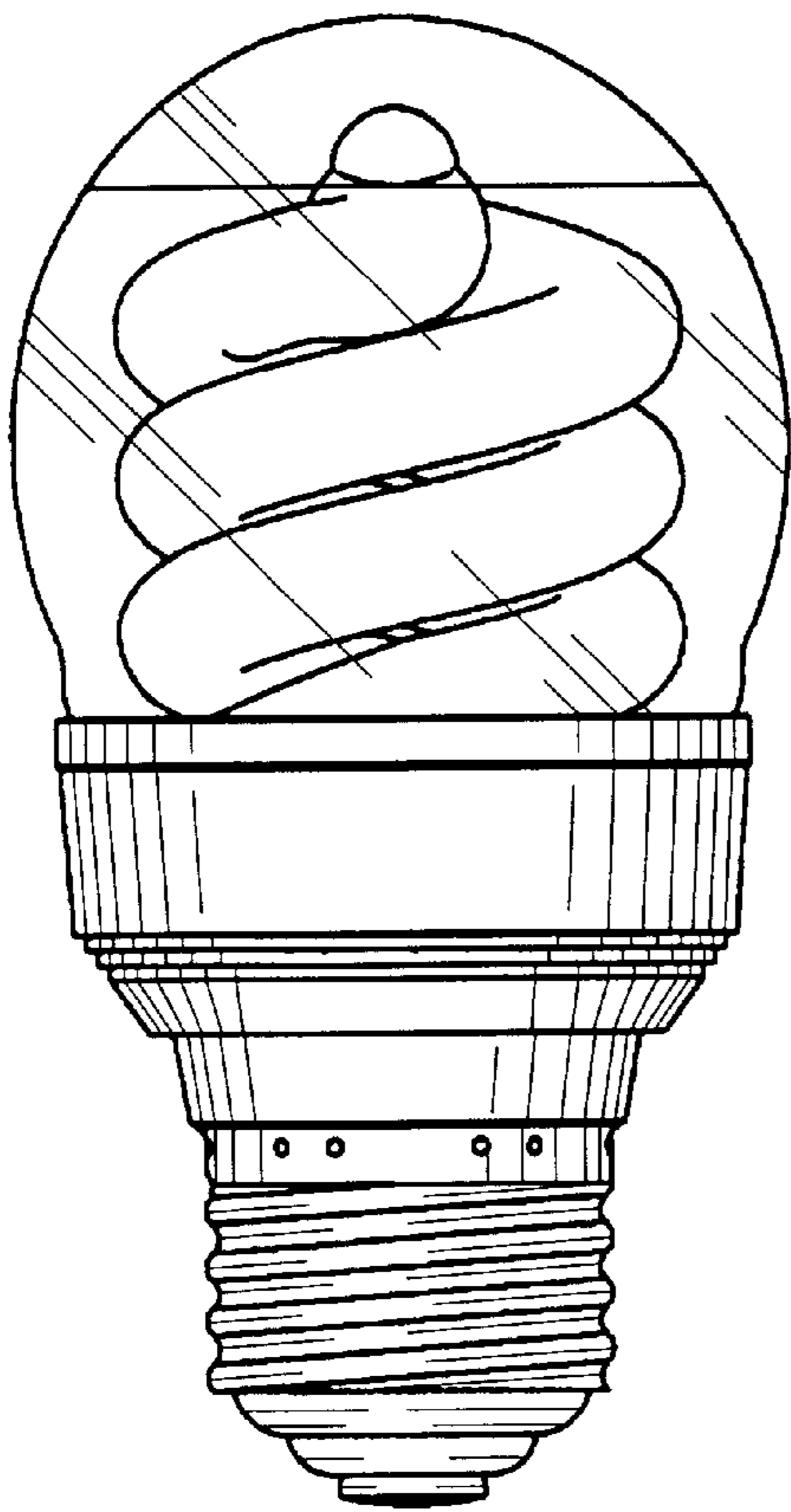


FIG. 5

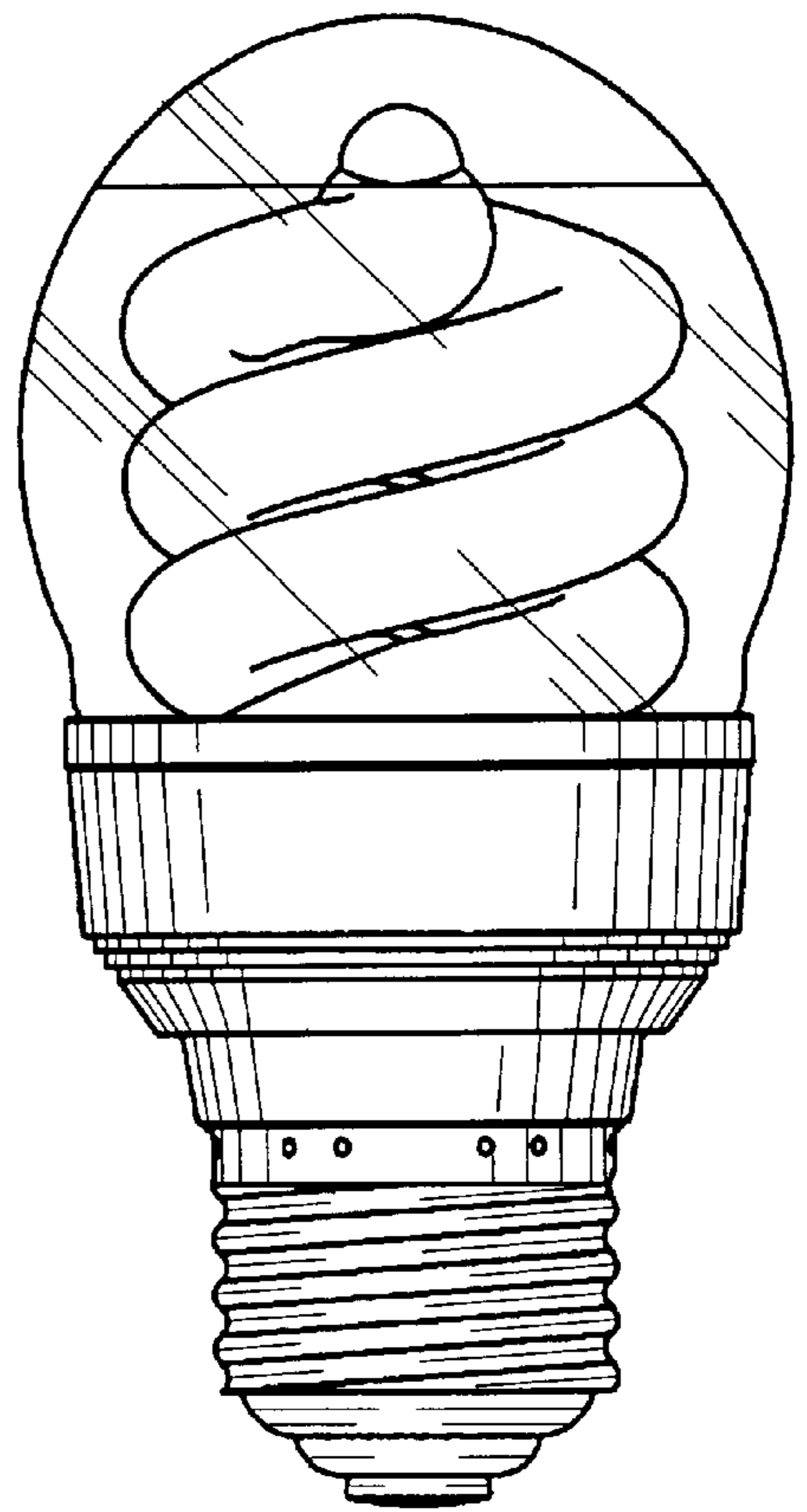


FIG. 6

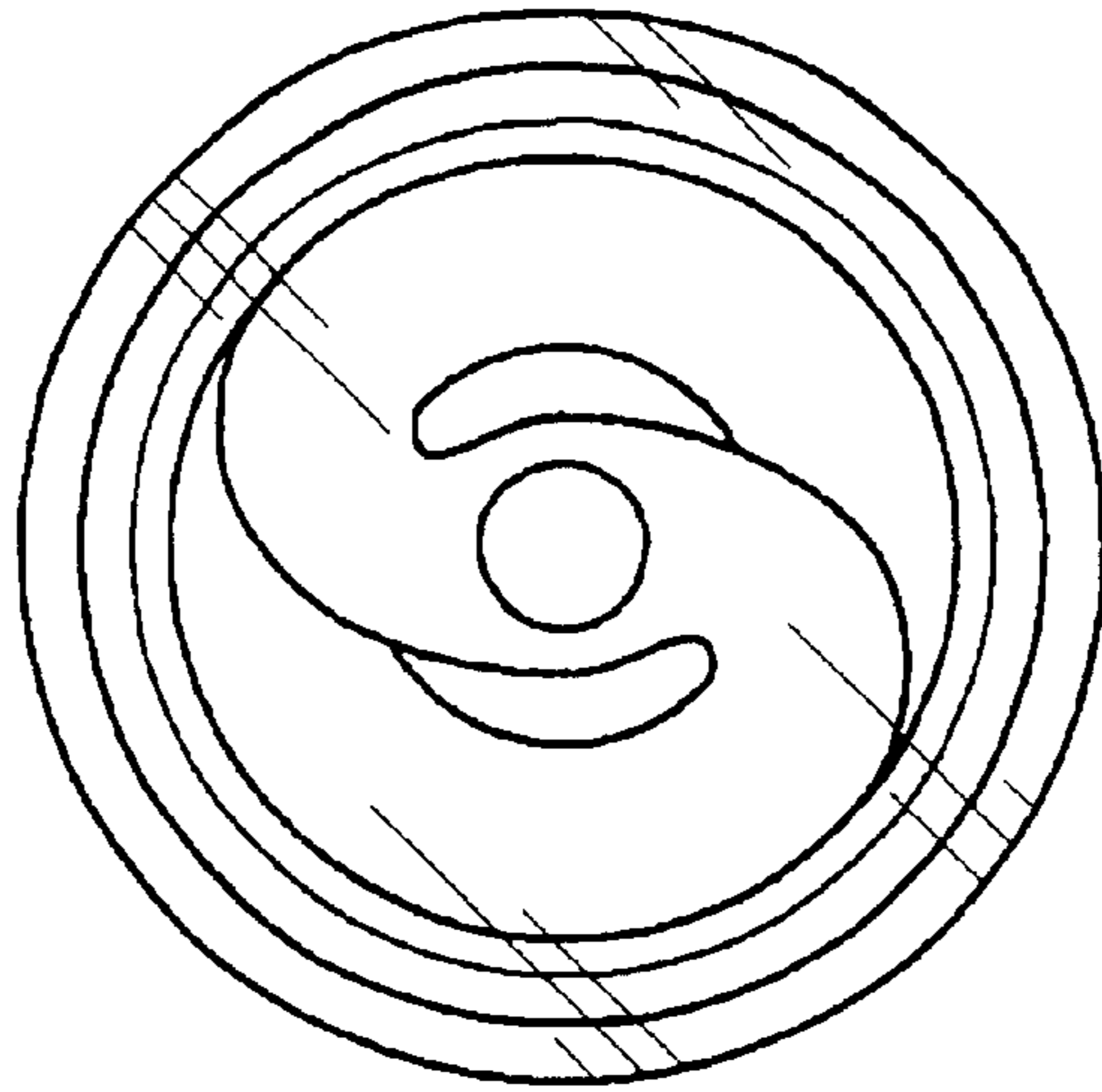


FIG. 7

