



US00D479751S

(12) **United States Design Patent**  
**Schofield**

(10) **Patent No.:** **US D479,751 S**

(45) **Date of Patent:** **\*\* Sep. 16, 2003**

(54) **COMBINED FASCIA AND SOFFIT BOARD**

(76) **Inventor:** **Frederick Andrew Schofield, 3**  
Crawfordsburn Way, Newtownards,  
County Down, BT23 4RY (IE)

(\*\*) **Term:** **14 Years**

(21) **Appl. No.:** **29/169,098**

(22) **Filed:** **Oct. 16, 2002**

(30) **Foreign Application Priority Data**

Apr. 17, 2002 (GB) ..... 3002938

(51) **LOC (7) Cl.** ..... **25-01**

(52) **U.S. Cl.** ..... **D25/119; D23/267**

(58) **Field of Search** ..... **D23/267; D25/119;**  
**52/11, 302.3; 248/48.1**

(56) **References Cited**

**U.S. PATENT DOCUMENTS**

D217,247 S \* 4/1970 Brown ..... D23/267

5,035,092 A \* 7/1991 Brant ..... 52/11  
D328,500 S \* 8/1992 Hardy ..... D25/119  
D425,605 S \* 5/2000 Palmisano ..... D23/267  
D454,180 S \* 3/2002 Wessels ..... D25/119

\* cited by examiner

*Primary Examiner*—Robin V. Taylor

(74) *Attorney, Agent, or Firm*—Ronald E. Greigg

(57) **CLAIM**

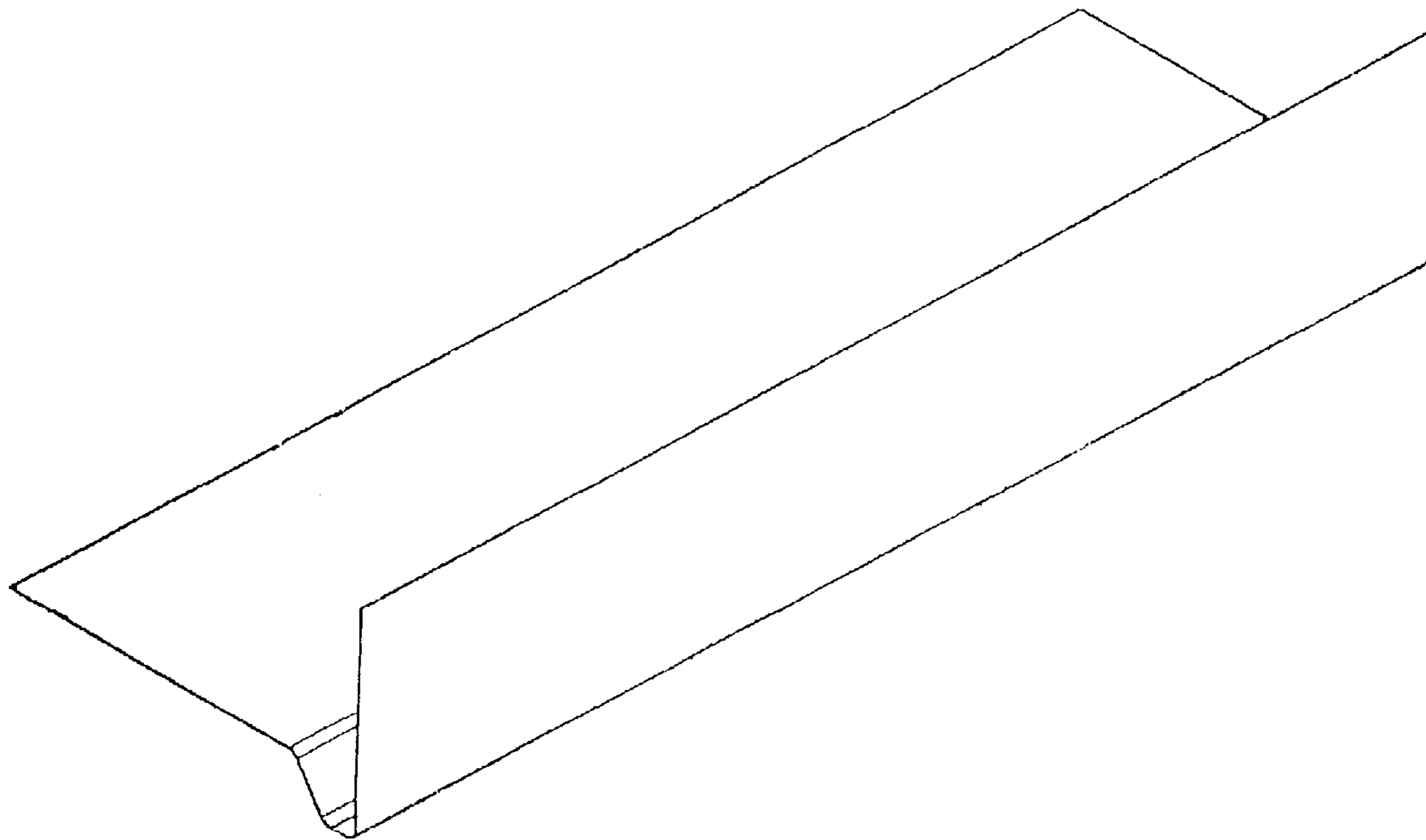
The ornamental design for a combined fascia and soffit board, as shown and described.

**DESCRIPTION**

FIG. 1 is a right side view of a combined fascia and soffit board showing my new design, for which a left side view thereof is a mirror image; and,

FIG. 2 is a perspective view thereof.

**1 Claim, 2 Drawing Sheets**



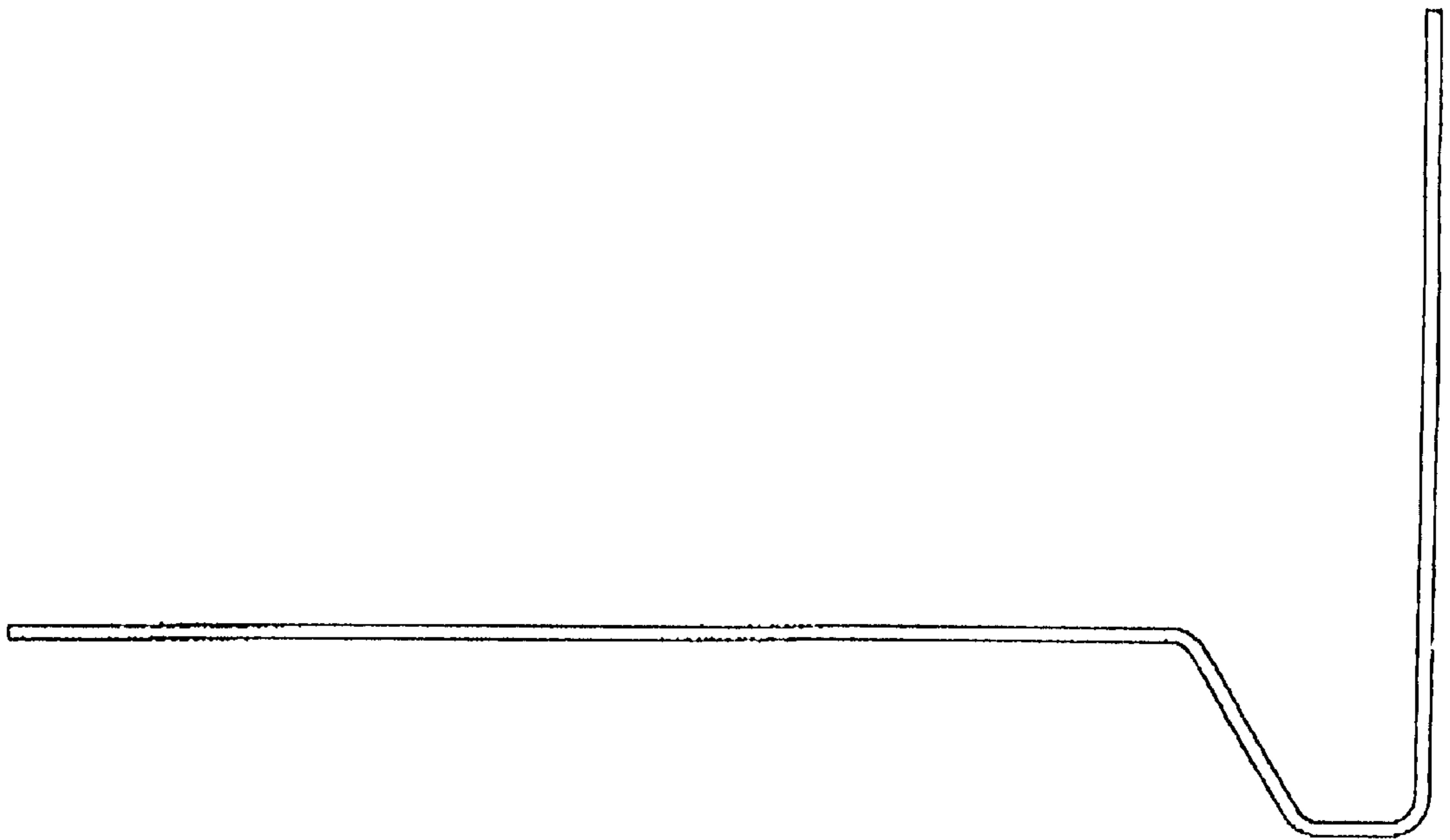


Figure 1

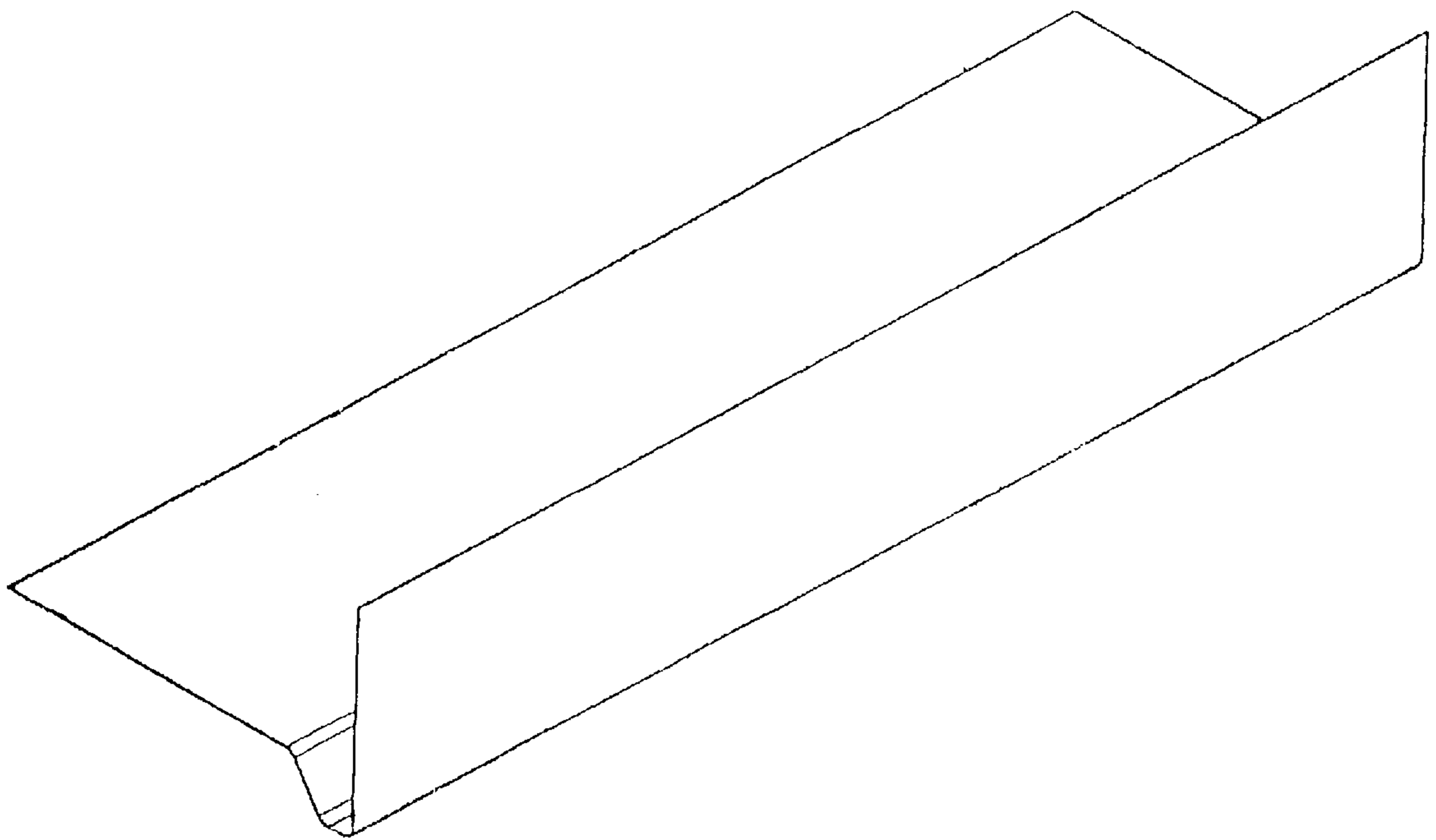


Figure 2