



US00D479744S

(12) **United States Design Patent**
Mallett et al.

(10) **Patent No.:** **US D479,744 S**

(45) **Date of Patent:** **** Sep. 16, 2003**

(54) **DOCKING UNIT FOR A MOBILE WASTE DISPOSAL MACHINE**

Primary Examiner—Ian Simmons
(74) *Attorney, Agent, or Firm*—Howard & Howard

(75) Inventors: **Scott Mallett**, Coto DeCaza, CA (US);
Russell Wade, Laguna Niguel, CA (US)

(57) **CLAIM**

The ornamental design for a docking unit for a mobile waste disposal machine, as shown and described.

(73) Assignee: **Stryker Instruments**, Kalamazoo, MI (US)

DESCRIPTION

(**) Term: **14 Years**

FIG. 1 is a perspective view of a docking unit for a mobile waste disposal machine showing our new design.

(21) Appl. No.: **29/141,708**

FIG. 2 is a front elevation view of the docking unit of the instant invention.

(22) Filed: **May 10, 2001**

FIG. 3 is a rear elevation view of the docking unit of the instant invention.

(51) **LOC (7) Cl.** **24-01**

(52) **U.S. Cl.** **D24/108**

(58) **Field of Search** D24/108, 111,
D24/131; 604/317, 322, 326, 319, 320;
134/50, 102.2, 22.18

FIG. 4 is a right side elevation view of the docking unit of the instant invention.

FIG. 5 is a left side elevation view of the docking unit of the instant invention.

(56) **References Cited**

U.S. PATENT DOCUMENTS

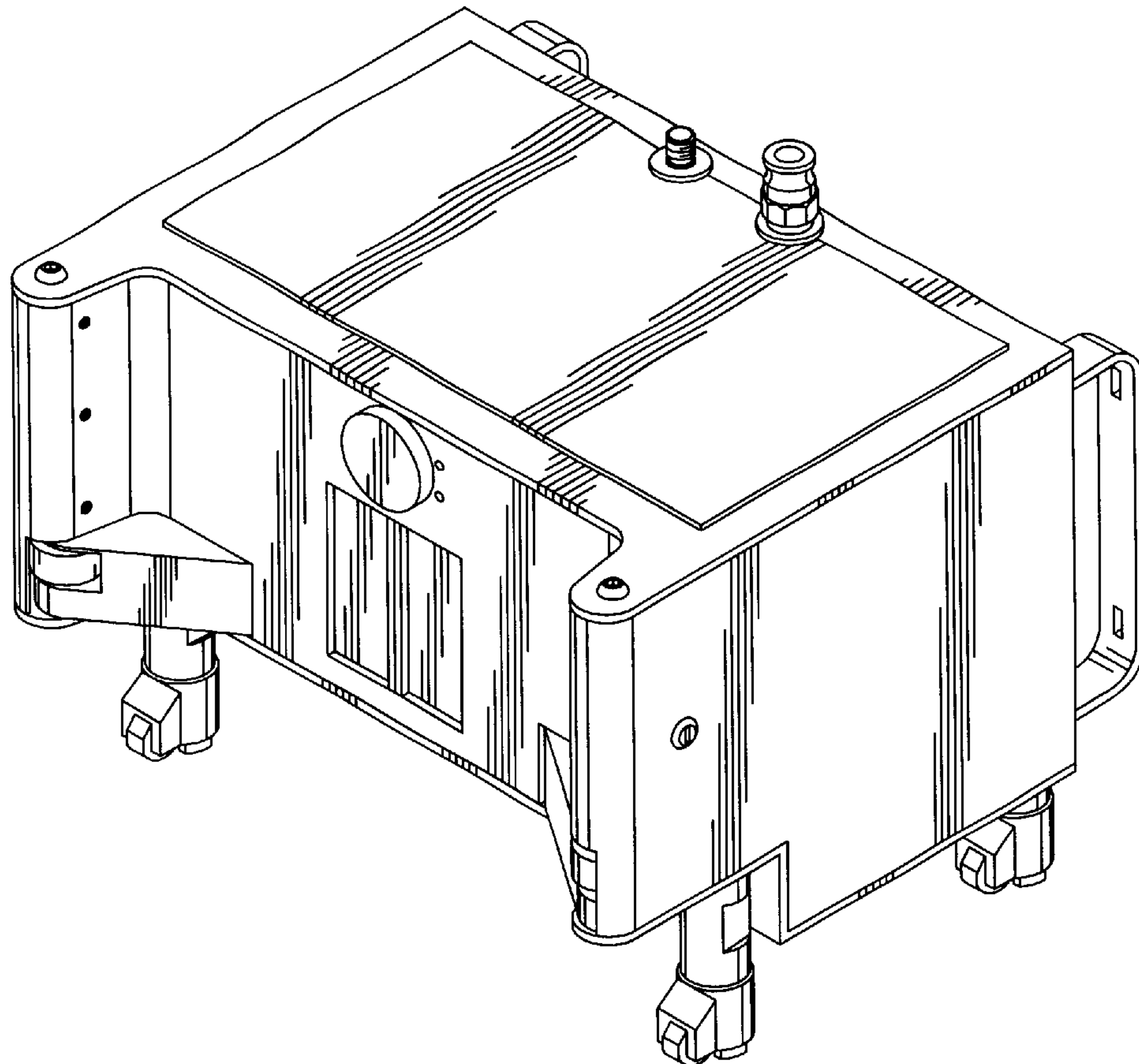
4,863,446	A	*	9/1989	Parker	604/317
5,741,237	A	*	4/1998	Walker	604/317
5,776,118	A	*	7/1998	Seifert et al.	604/317
6,368,310	B1	*	4/2002	Bemis et al.	604/317

FIG. 6 is a top plan view of the docking unit of the instant invention; and,

FIG. 7 is a bottom plan view of the docking unit of the instant invention.

* cited by examiner

1 Claim, 4 Drawing Sheets



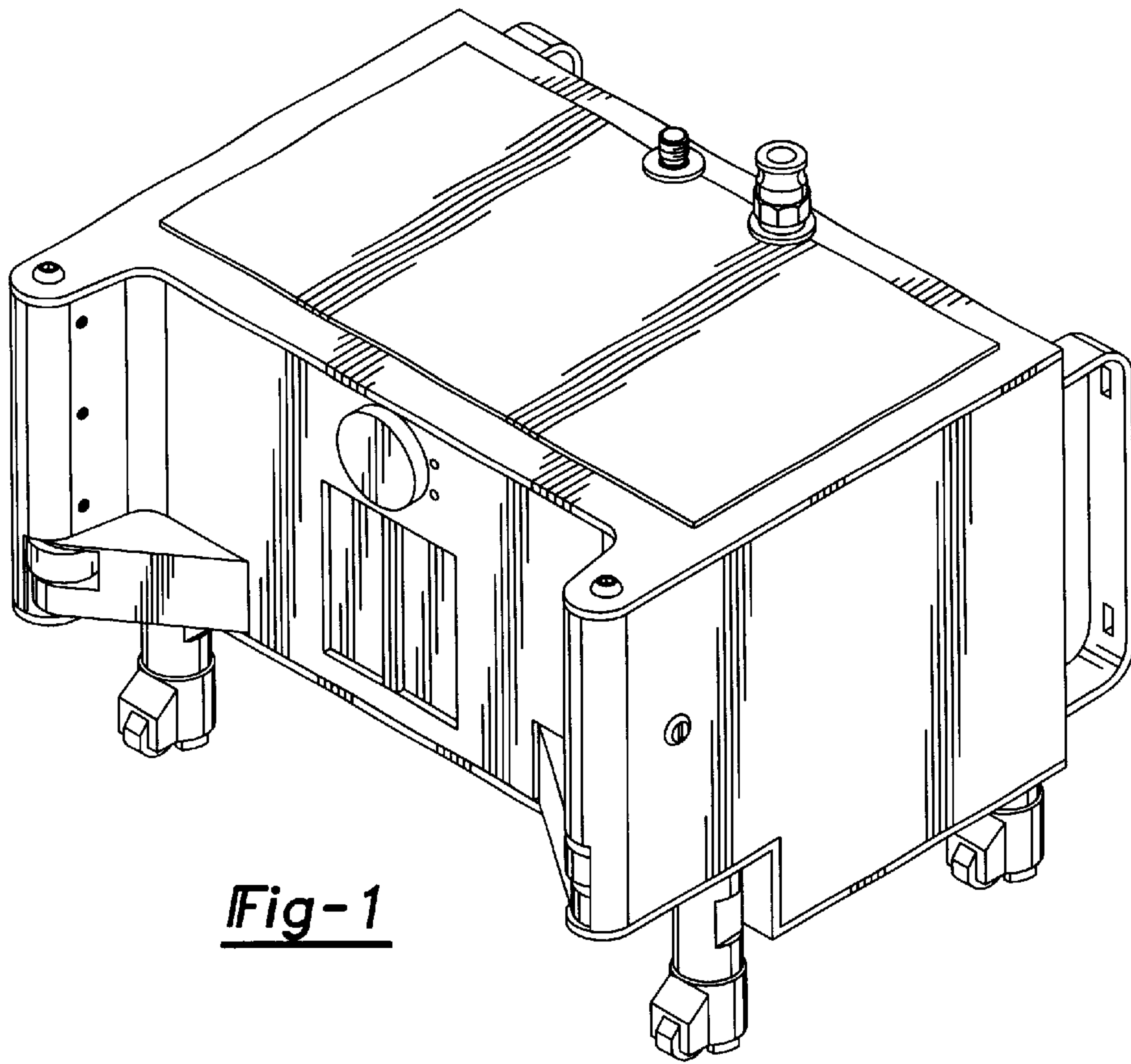


Fig-1

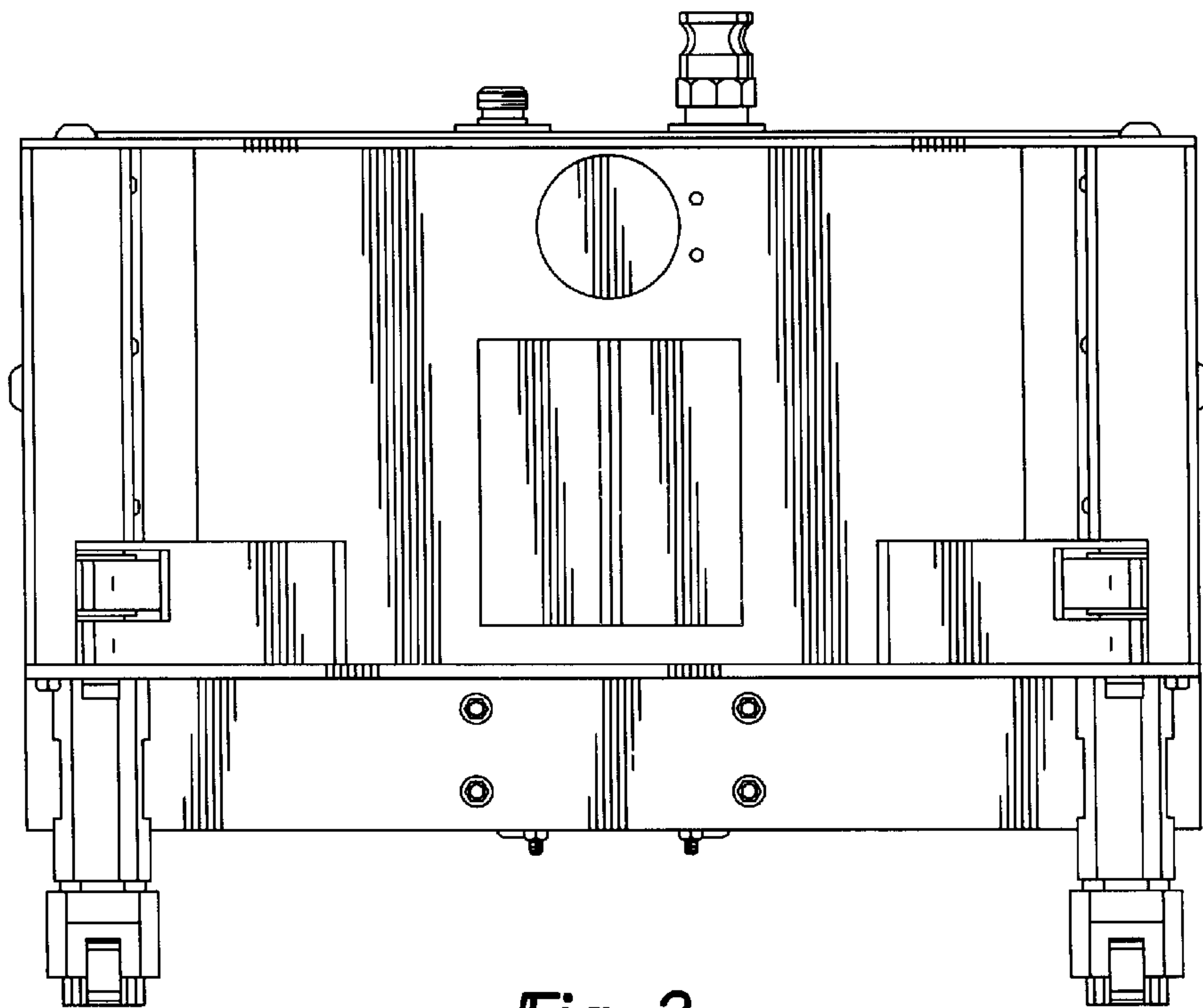


Fig-2

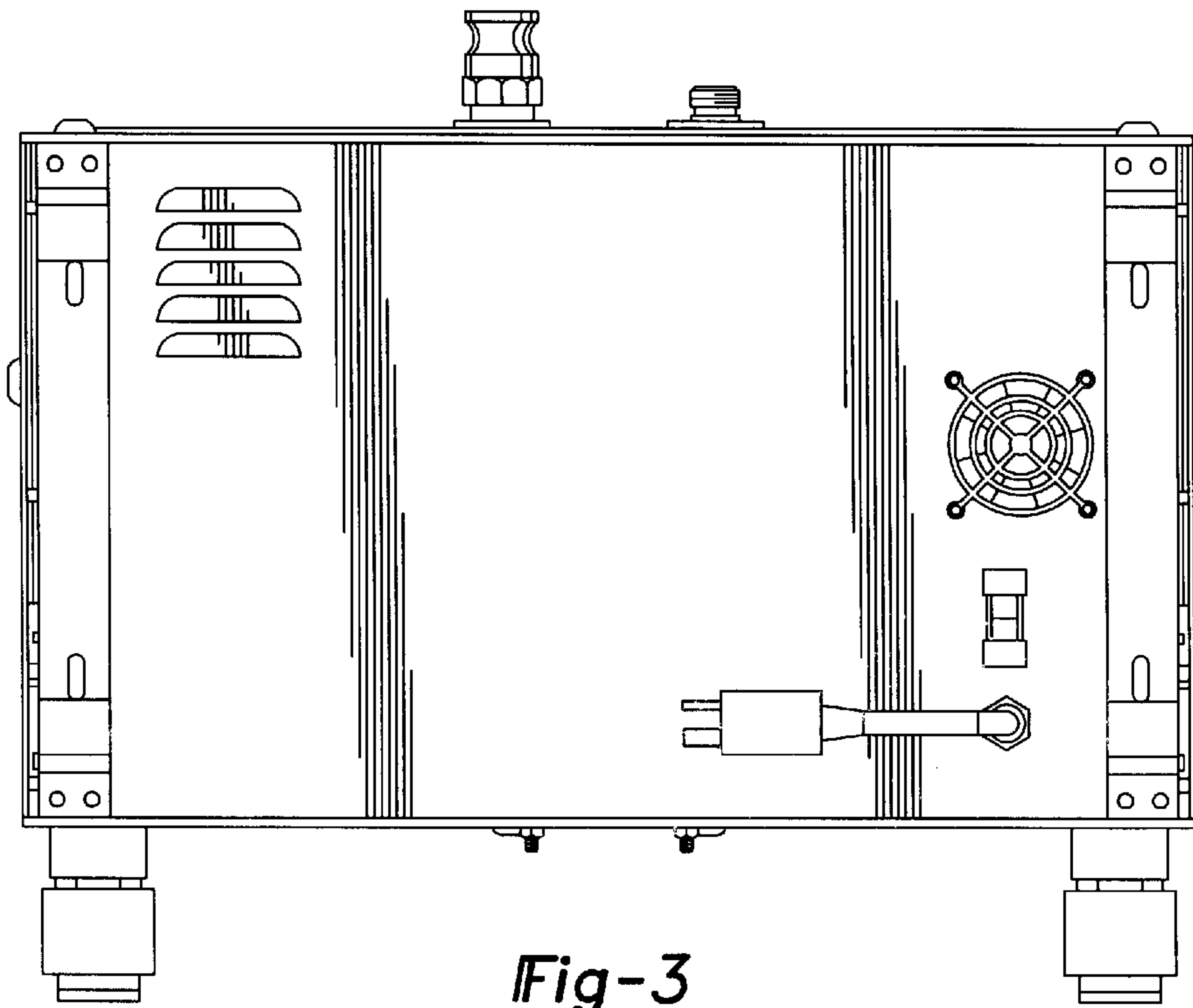


Fig-3

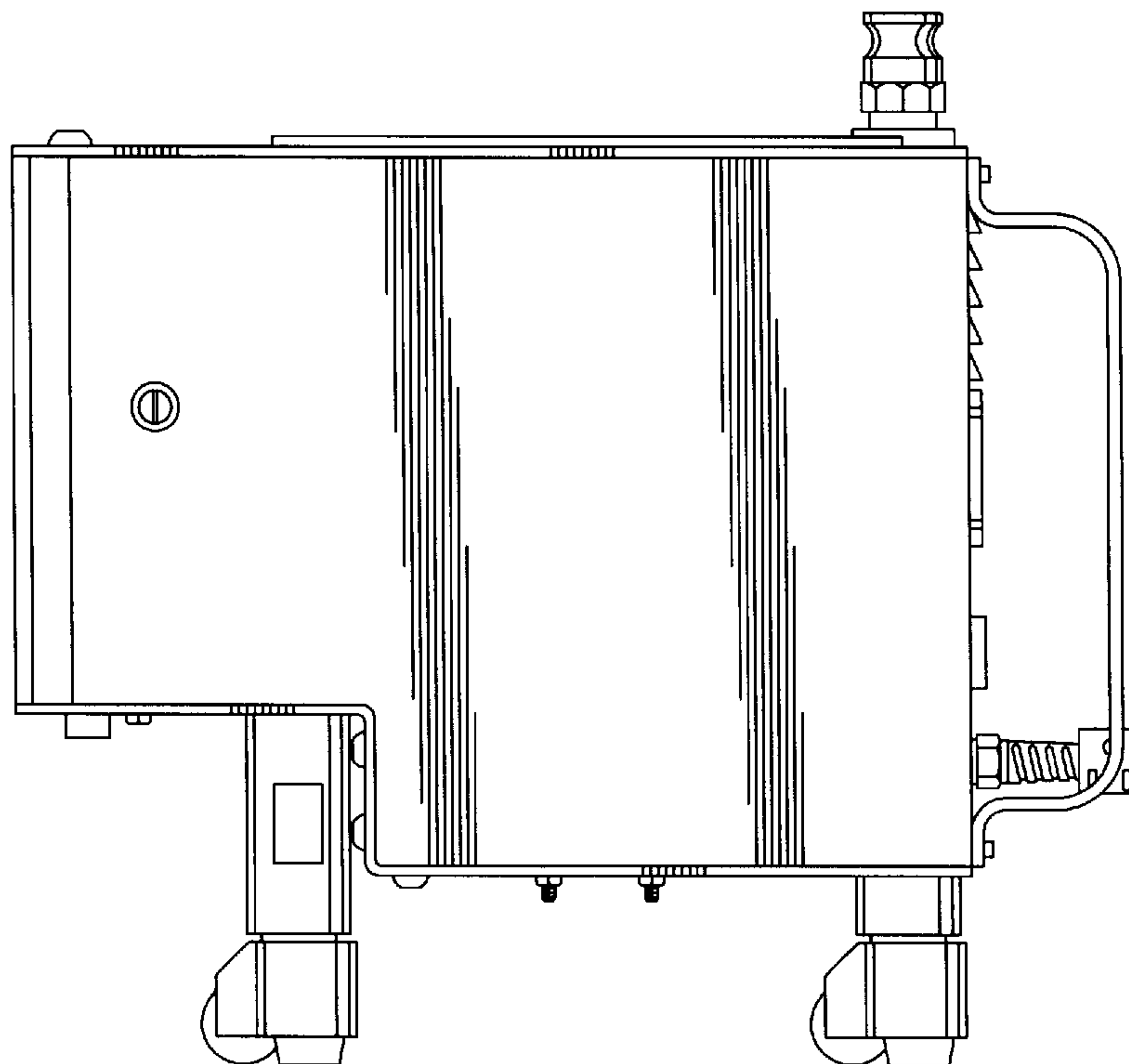


Fig-4

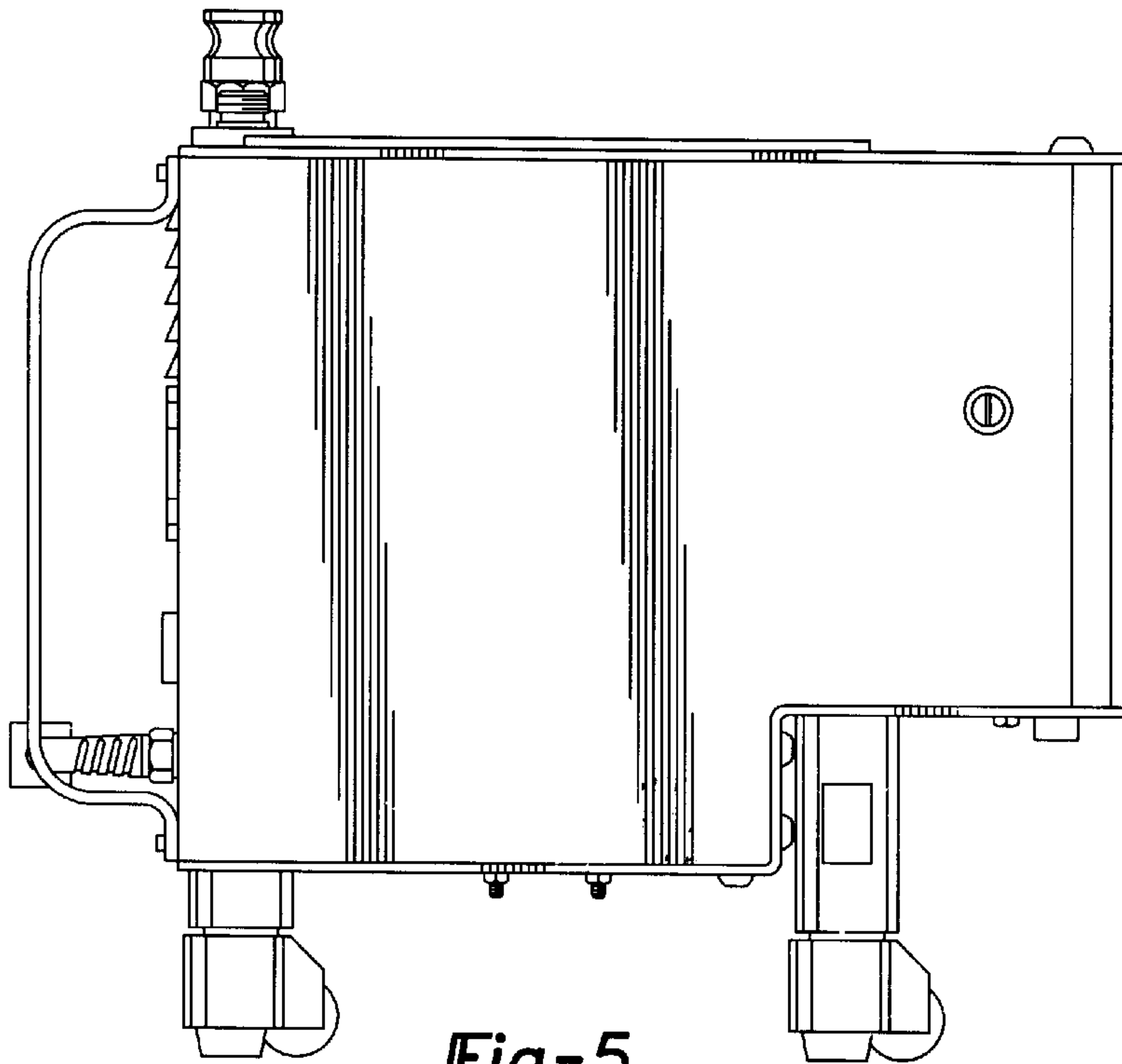


Fig-5

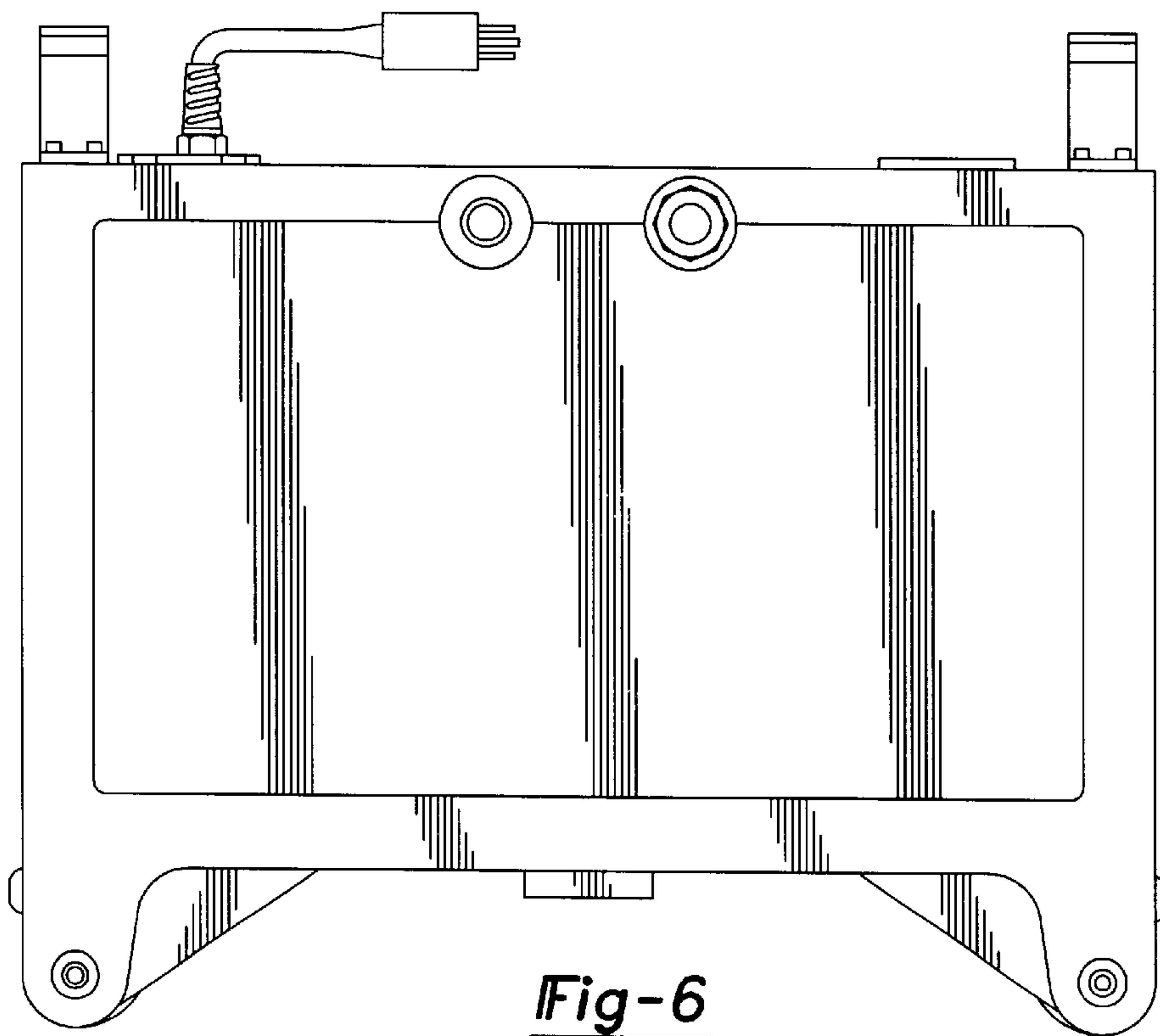


Fig-6

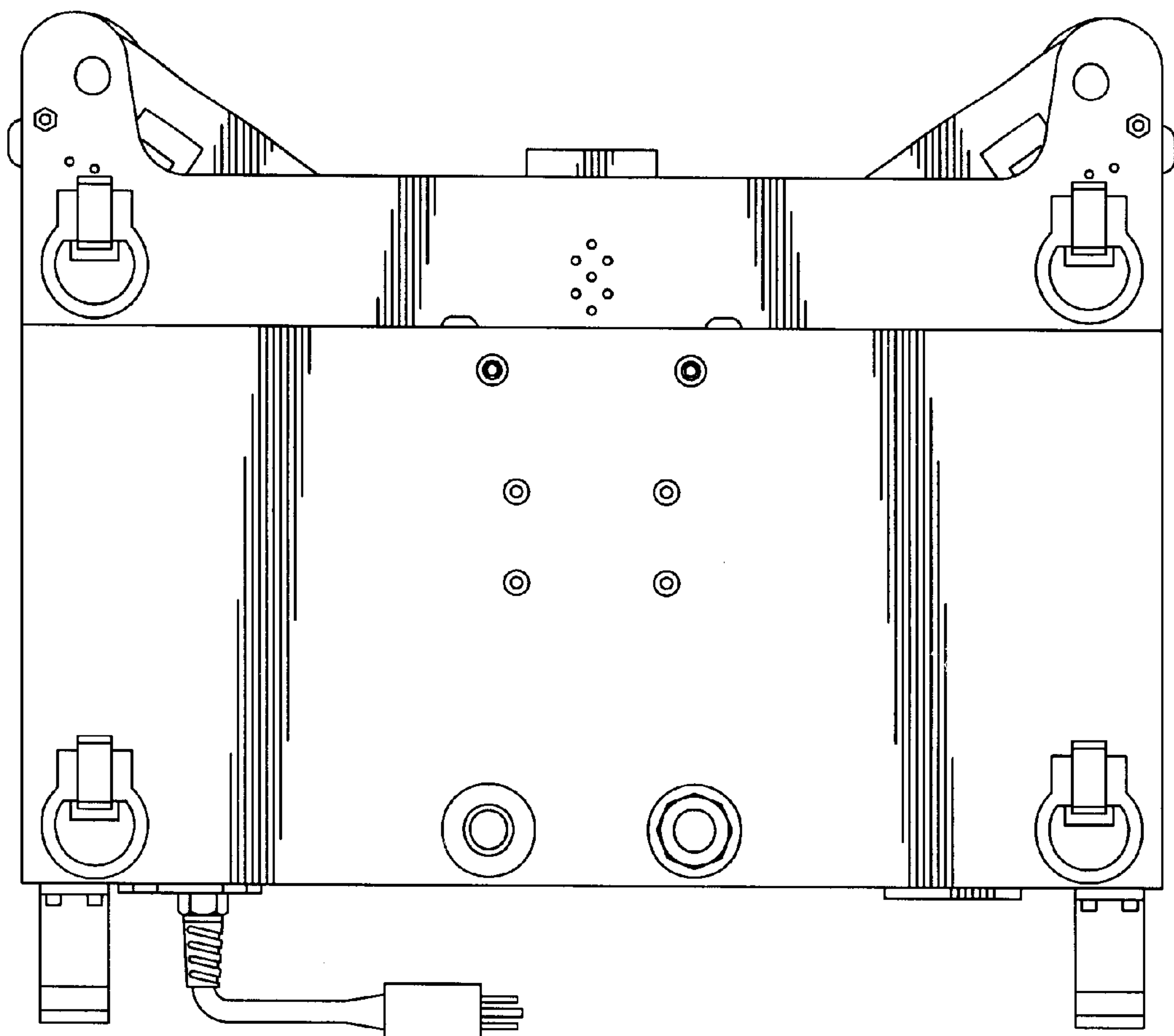


Fig-7