



US00D479740S

(12) **United States Design Patent**
Citterio

(10) **Patent No.:** **US D479,740 S**

(45) **Date of Patent:** **** Sep. 16, 2003**

(54) **SANITARY FAUCET**

D297,758 S * 9/1988 Paul D23/252

(75) Inventor: **Antonio Citterio**, Milan (IT)

* cited by examiner

(73) Assignee: **Hansgrohe AG**, Schiltach (DE)

Primary Examiner—Louis S. Zarfes

Assistant Examiner—Gregory Andoll

(**) Term: **14 Years**

(74) *Attorney, Agent, or Firm*—Duane Morris LLP

(21) Appl. No.: **29/166,694**

(57) **CLAIM**

(22) Filed: **Sep. 3, 2002**

The ornamental design for a sanitary faucet, as shown and described.

(30) **Foreign Application Priority Data**

DESCRIPTION

Mar. 5, 2002 (DE) 4 02 01 868

(51) **LOC (7) Cl.** **23-01**

FIG. 1: is a side perspective view of the sanitary faucet showing my new design;

(52) **U.S. Cl.** **D23/242**

FIG. 2: is a front elevation view thereof;

(58) **Field of Search** D23/238–243,

FIG. 3: is a rear elevation view thereof;

D23/250–257; 4/675–678; 137/801

FIG. 4: is a side elevation view thereof; the opposite side being a mirror image;

(56) **References Cited**

FIG. 5: is a top plan view thereof; and,

U.S. PATENT DOCUMENTS

FIG. 6: is a bottom plan view thereof.

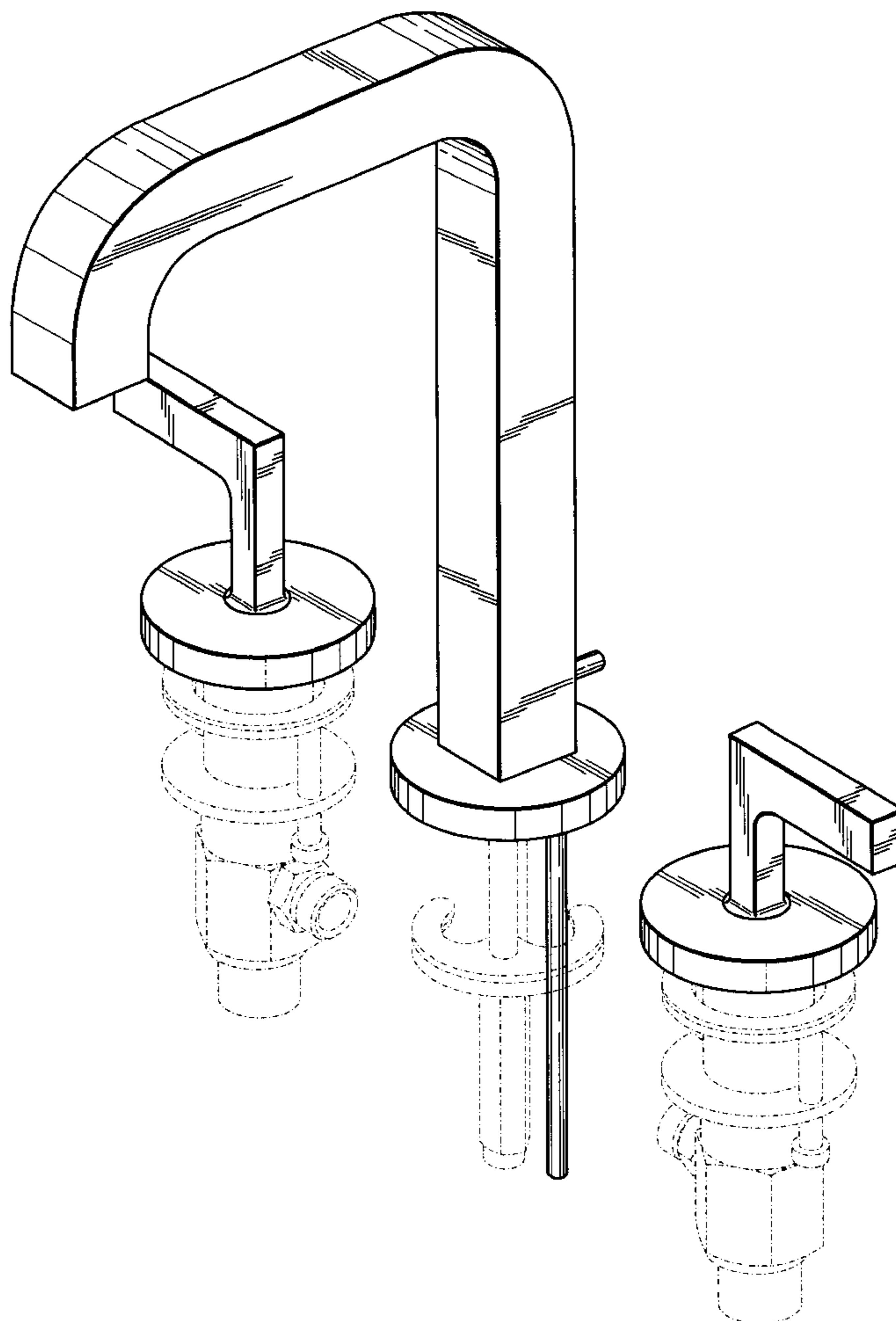
D265,229 S * 6/1982 Paul D23/242

The broken lines in the Figures are for illustrative purposes and form no part of the claimed design.

D267,110 S * 11/1982 Arnolds D23/242

D297,756 S * 9/1988 Paul D23/242

1 Claim, 6 Drawing Sheets



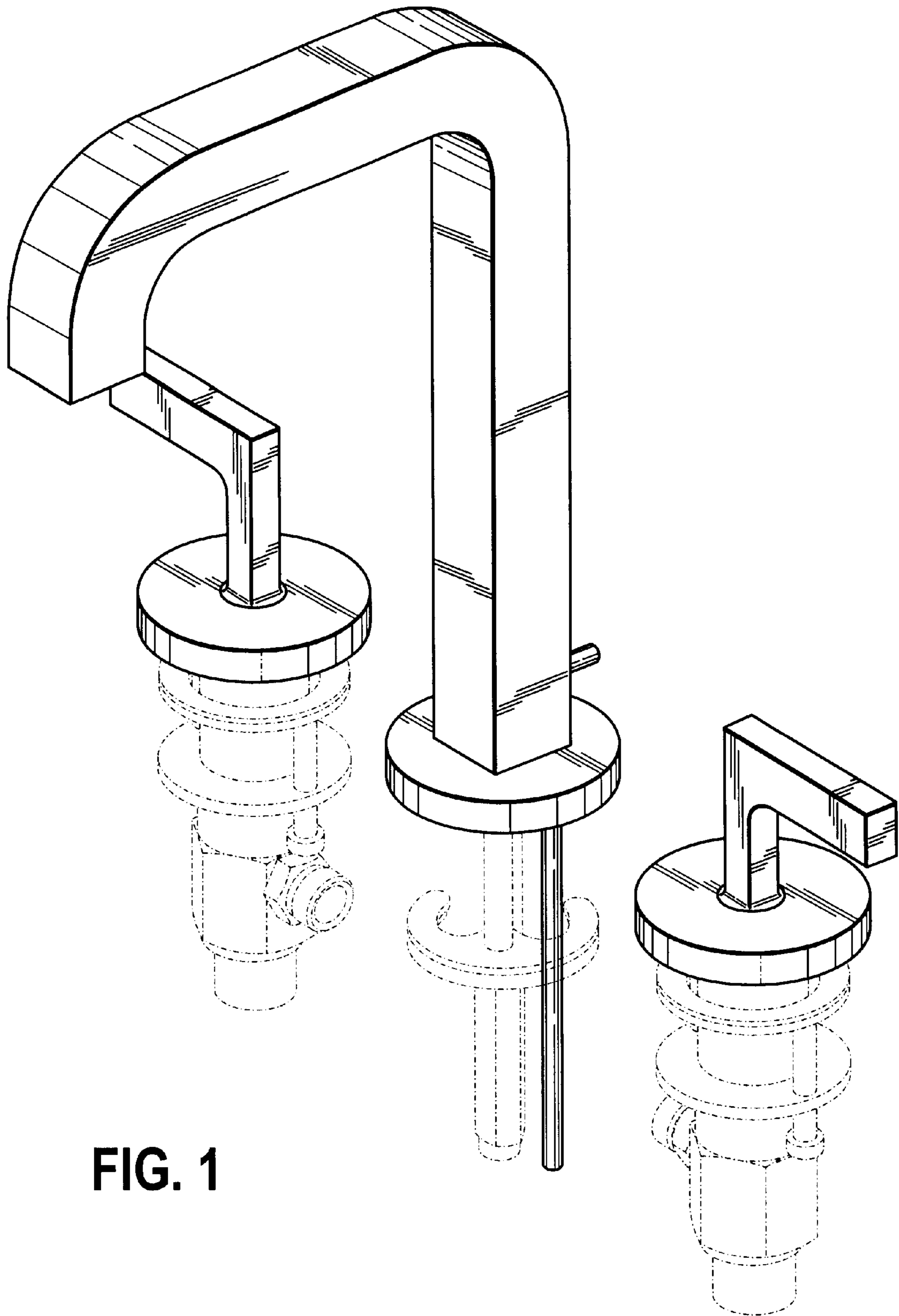


FIG. 1

FIG. 2

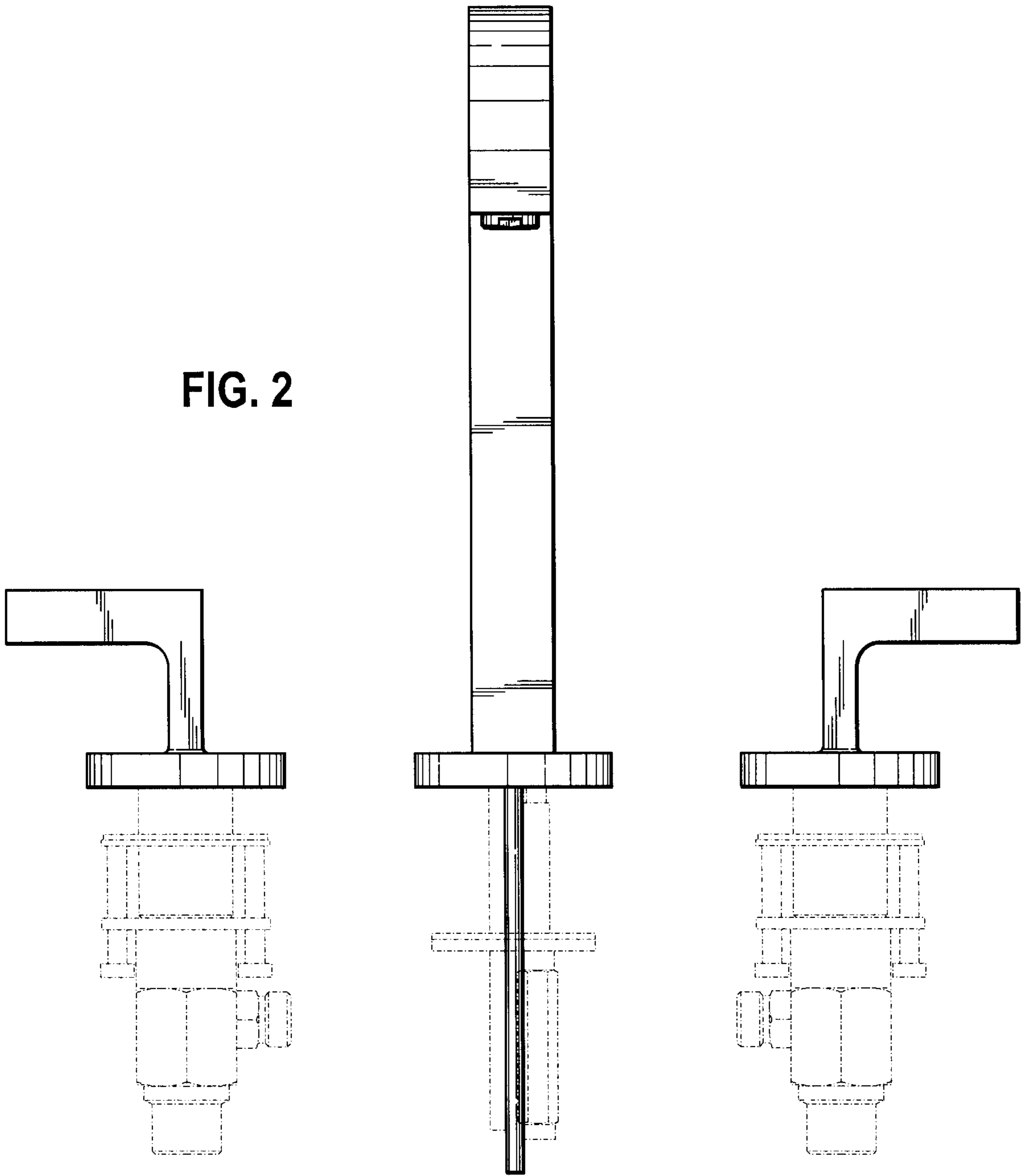
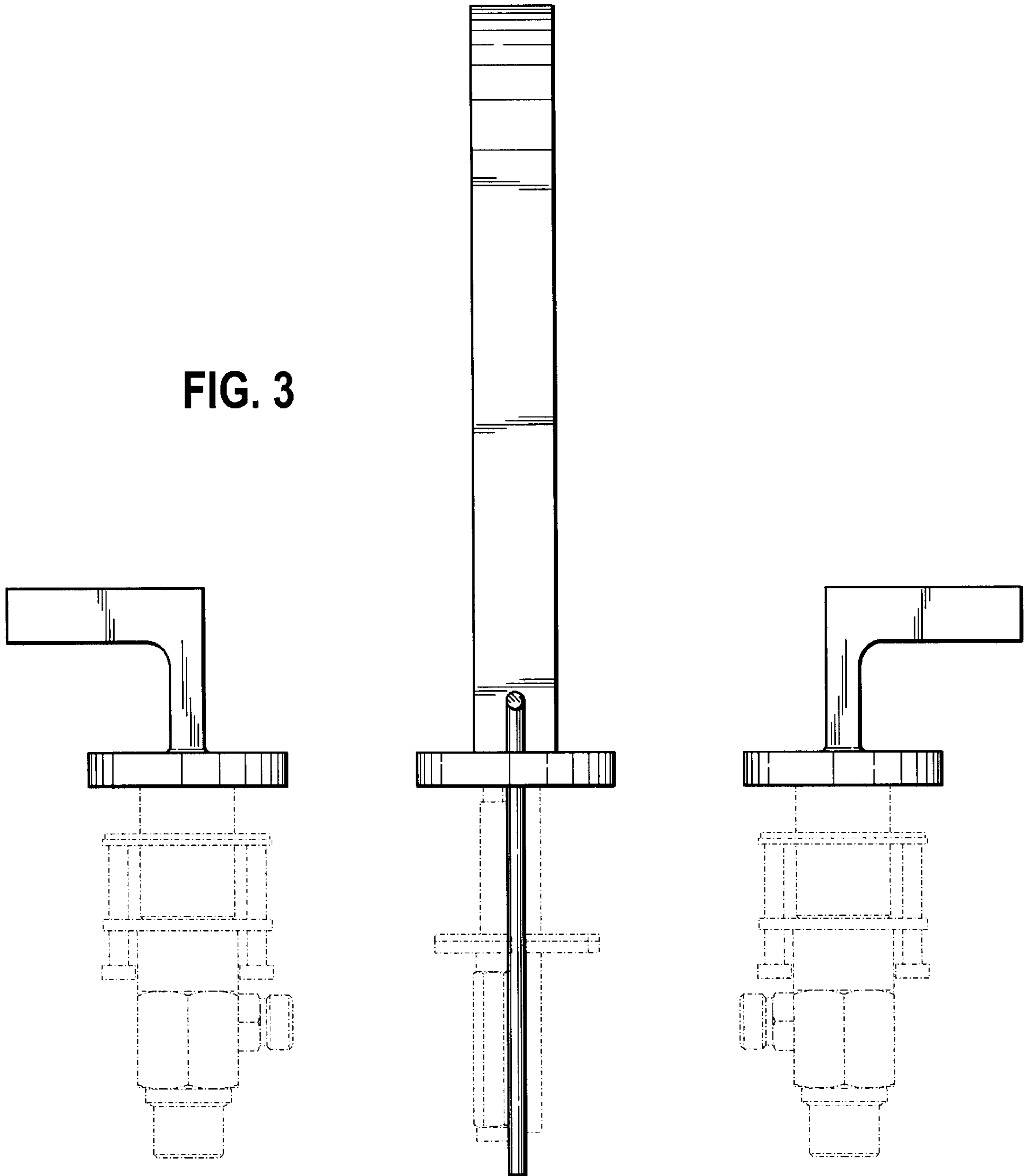


FIG. 3



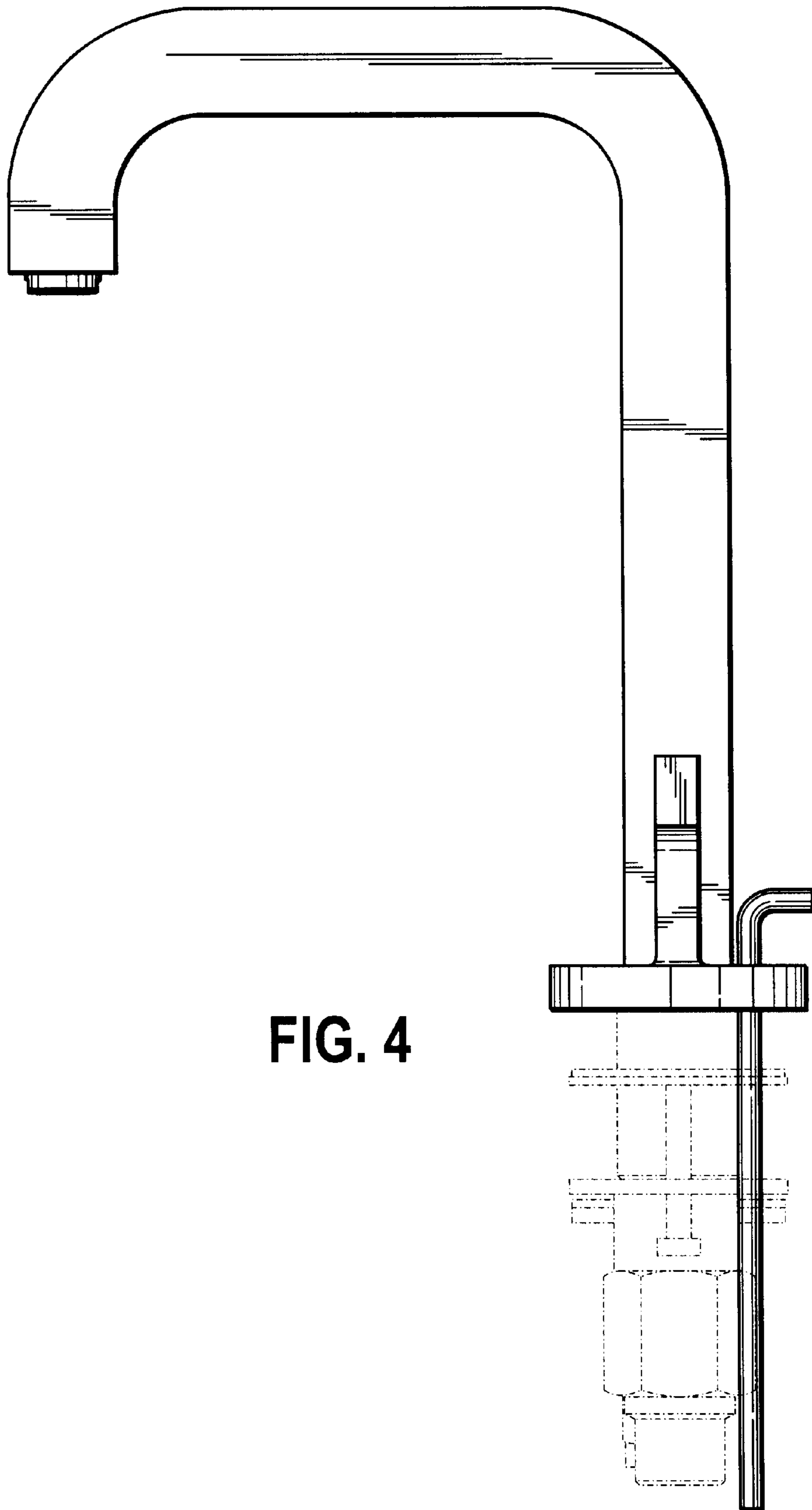


FIG. 4

