



US00D479738S

(12) **United States Design Patent**
Hayashi et al.

(10) **Patent No.:** **US D479,738 S**

(45) **Date of Patent:** **** Sep. 16, 2003**

(54) **ELECTROMAGNETIC VALVE**

(75) Inventors: **Bunya Hayashi, Ibaraki (JP); Makoto Ishikawa, Ibaraki (JP); Masaru Narita, Ibaraki (JP)**

(73) Assignee: **SMC Corporation, Tokyo (JP)**

(**) Term: **14 Years**

(21) Appl. No.: **29/172,032**

(22) Filed: **Dec. 5, 2002**

(30) **Foreign Application Priority Data**

Jun. 5, 2002 (JP) 2002-015135

(51) **LOC (7) Cl.** **23-01**

(52) **U.S. Cl.** **D23/233**

(58) **Field of Search** D23/233-237,
D23/244-249; D15/199; 137/554, 557,
624.64, 560, 882, 884; 4/304; 251/219,
129.04, 130, 331, 15

(56) **References Cited**

U.S. PATENT DOCUMENTS

- D388,504 S * 12/1997 Hayashi et al. D23/233
- 5,699,830 A * 12/1997 Hayashi et al. 137/554
- D389,560 S 1/1998 Hayashi et al.
- D390,636 S 2/1998 Hayashi et al.
- D409,278 S 5/1999 Hayashi et al.
- D409,279 S * 5/1999 Hayashi et al. D23/233
- D409,723 S 5/1999 Hayashi et al.
- D410,521 S 6/1999 Hayashi et al.
- D410,522 S 6/1999 Hayashi et al.
- D414,246 S 9/1999 Hayashi et al.
- D414,545 S 9/1999 Hayashi et al.

- D415,255 S 10/1999 Hayashi et al.
- D415,256 S 10/1999 Hayashi et al.
- D416,309 S 11/1999 Hayashi et al.
- D417,717 S * 12/1999 Hayashi et al. D23/233
- D422,340 S * 4/2000 Hayashi et al. D23/233
- D424,166 S 5/2000 Hayashi et al.
- D426,615 S * 6/2000 Sato et al. D23/233
- D427,663 S 7/2000 Hayashi et al.
- D428,111 S 7/2000 Hayashi et al.
- D437,030 S * 1/2001 Sato et al. D23/233
- D439,634 S 3/2001 Hayashi et al.
- 6,216,740 B1 * 4/2001 Hayashi et al. 137/884
- D458,985 S * 6/2002 Kleffmann D23/233
- 6,513,547 B2 * 2/2003 Endo et al. 137/560

* cited by examiner

Primary Examiner—Nelson C. Holtje

(74) *Attorney, Agent, or Firm*—Oblon, Spivak, McClelland, Maier & Neustadt, P.C.

(57) **CLAIM**

The ornamental design for an electromagnetic valve, as shown and described.

DESCRIPTION

FIG. 1 is a front elevational view of an electromagnetic valve, showing our new design;
 FIG. 2 is a top plan view thereof;
 FIG. 3 is a bottom plan view thereof;
 FIG. 4 is a left side elevational view thereof;
 FIG. 5 is a right side elevational view thereof;
 FIG. 6 is a top, front and right side perspective view thereof;
 and,
 FIG. 7 is a bottom, rear and left side perspective view thereof.

1 Claim, 3 Drawing Sheets

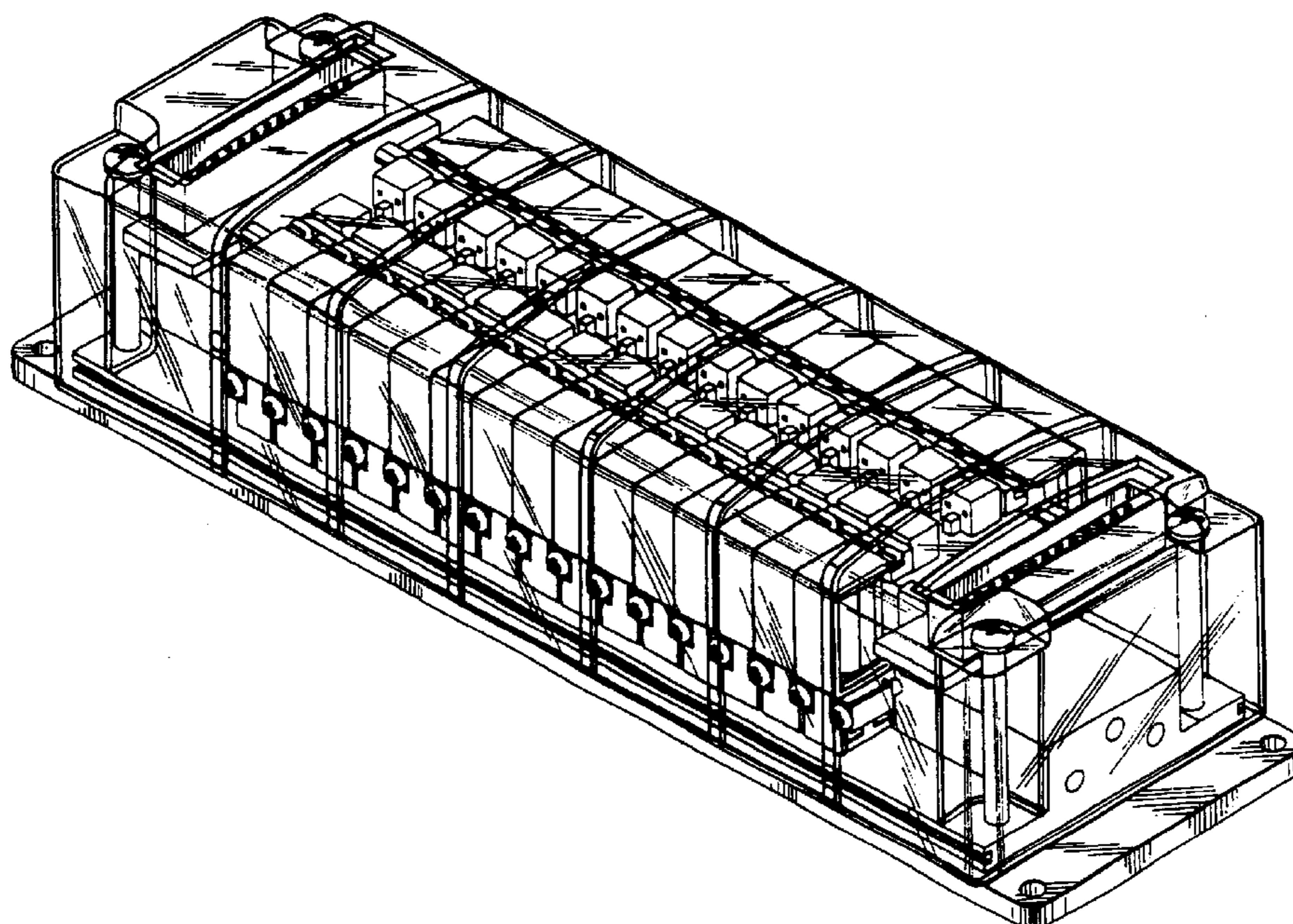


FIG. 1

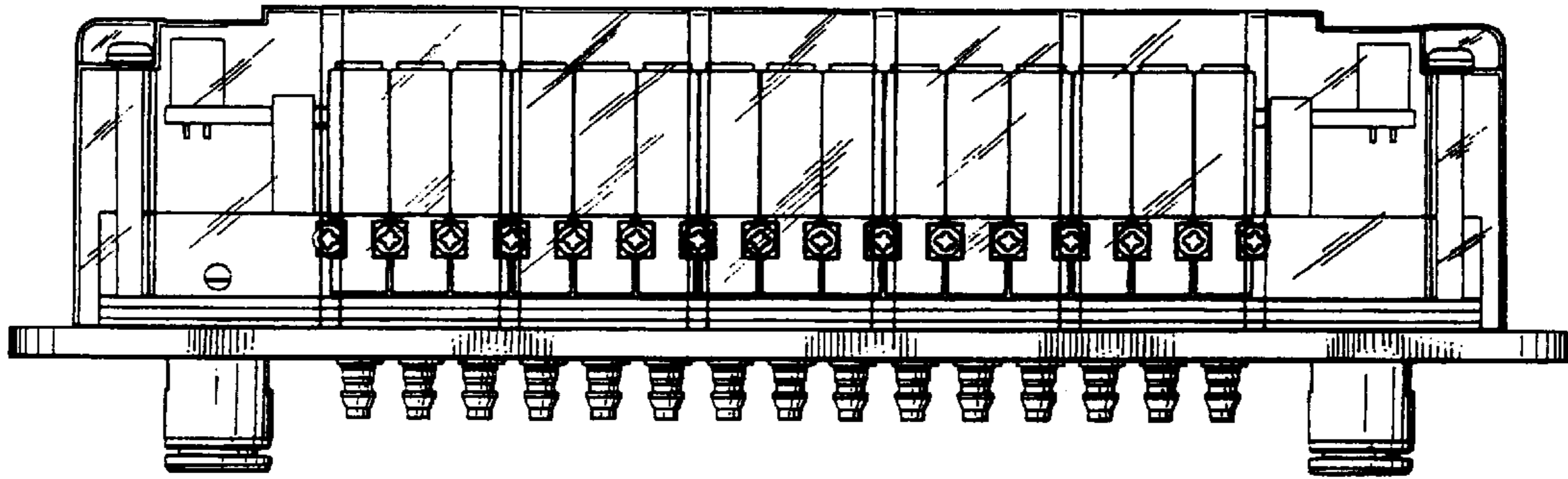


FIG. 2

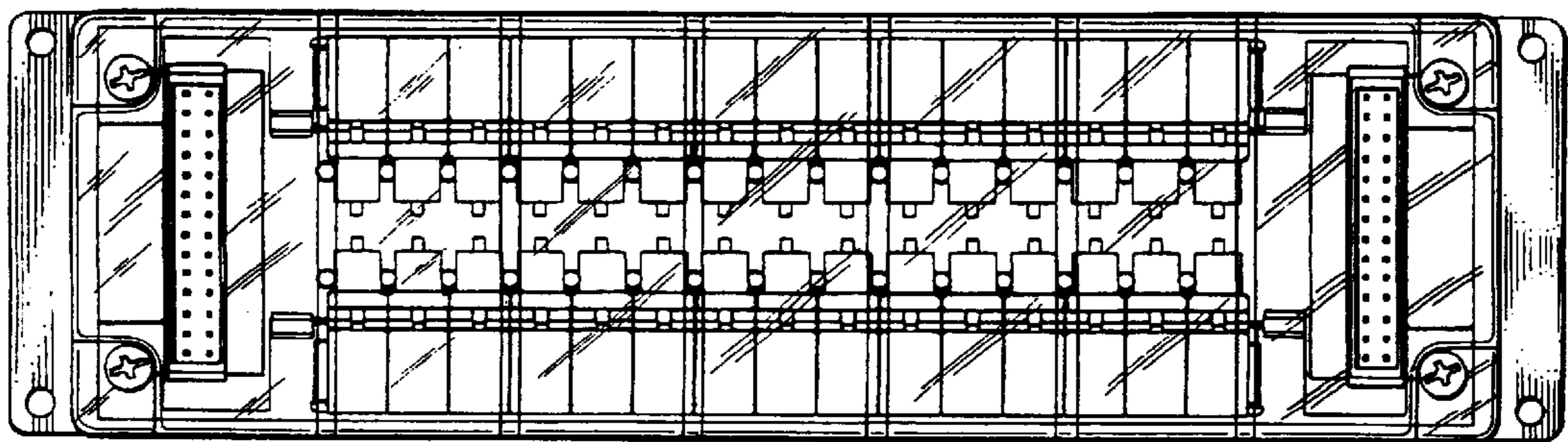


FIG. 3

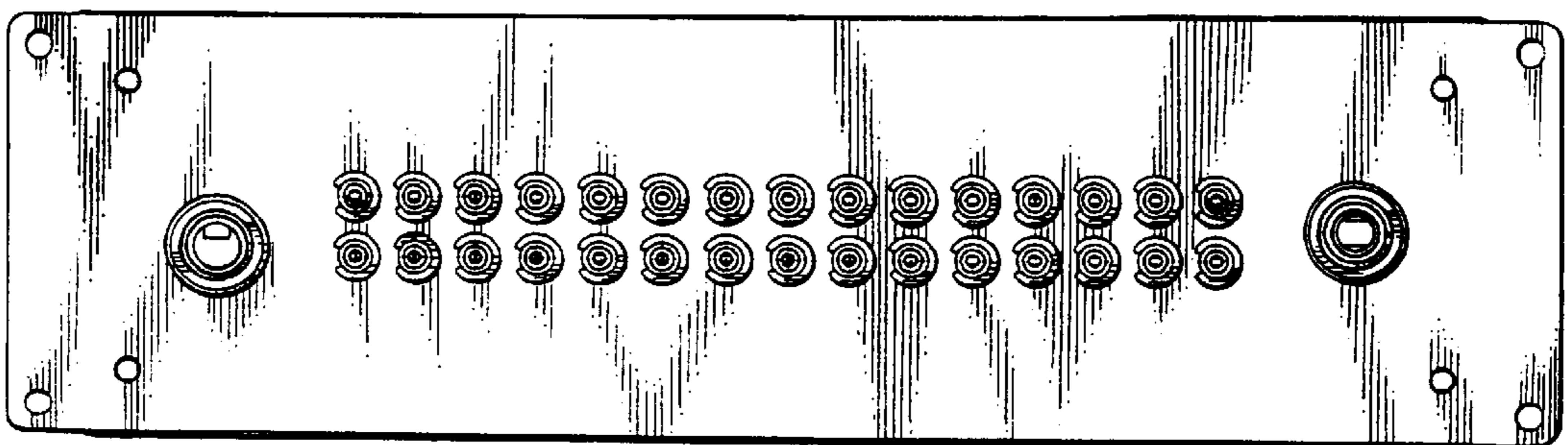


FIG. 4

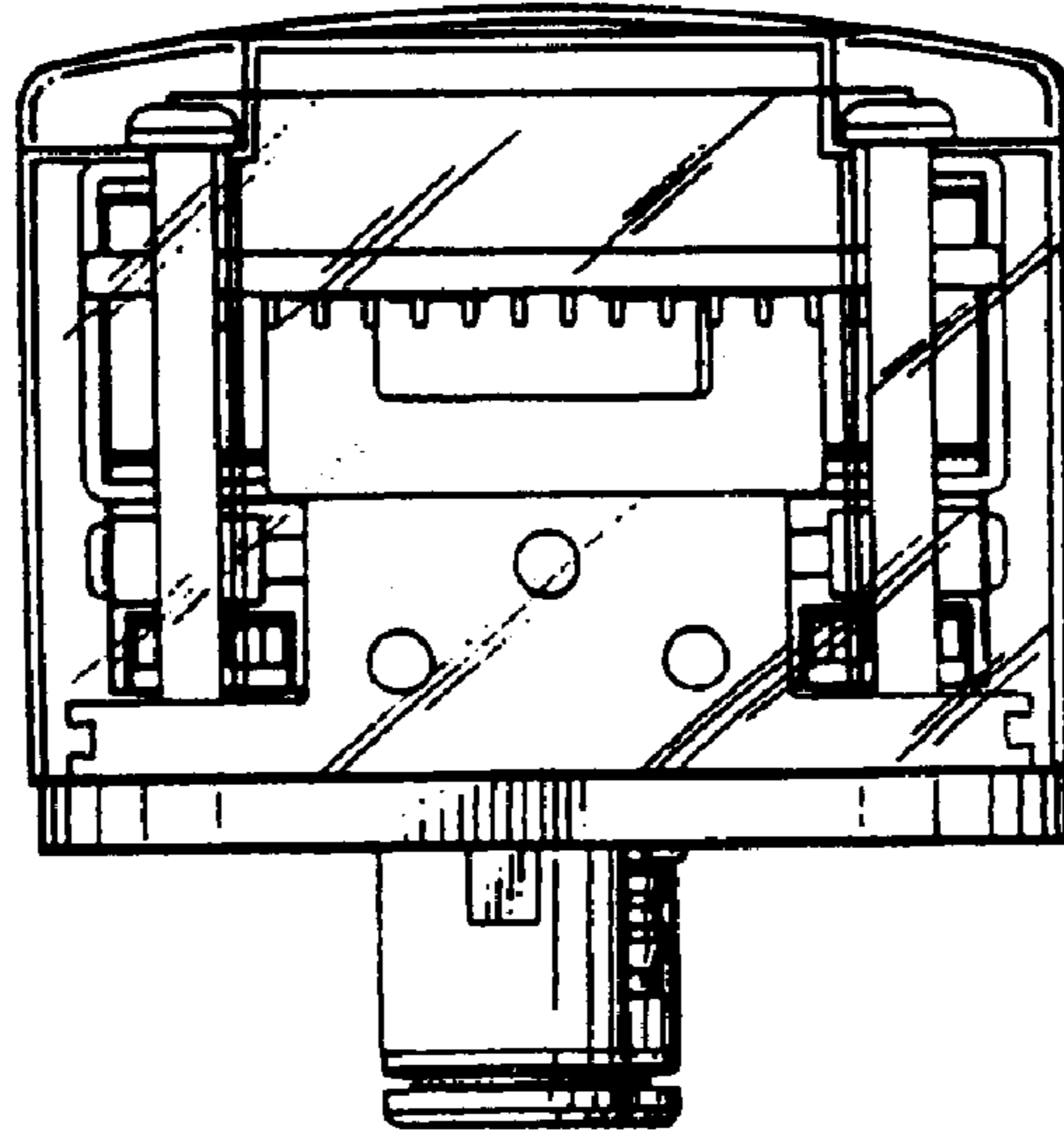


FIG. 5

