



US00D479733S

(12) **United States Design Patent**
Arginsky

(10) **Patent No.:** **US D479,733 S**

(45) **Date of Patent:** **** Sep. 16, 2003**

(54) **FOAM POGO STICK**

(75) Inventor: **Irwin Arginsky**, Ellenville, NY (US)

(73) Assignee: **J. M. Originals, Inc.**, Ellenville, NY (US)

(**) Term: **14 Years**

(21) Appl. No.: **29/159,055**

(22) Filed: **Apr. 15, 2002**

(51) **LOC (7) Cl.** **21-01**

(52) **U.S. Cl.** **D21/413**

(58) **Field of Search** D21/412-416,
D21/662, 673, 682, 692, 693; 446/29; 482/79,
121-131; 472/135

(56) **References Cited**

U.S. PATENT DOCUMENTS

D215,552 S	*	10/1969	Rieth	D21/413
3,731,920 A	*	5/1973	Matsuda	482/77
D316,280 S	*	4/1991	White	D21/413
6,346,065 B1	*	2/2002	Lapointe	482/77

FOREIGN PATENT DOCUMENTS

GB 1061179 * 7/1989 21/1

OTHER PUBLICATIONS

Fao Schwarz Spring/Summer 1978 catalog, p. 12: item C.*
HONG KONG TOYS Feb. 2001, pogo sticks on p. 235.*

* cited by examiner

Primary Examiner—Ted Shooman

Assistant Examiner—C. Tuttle

(74) *Attorney, Agent, or Firm*—Lerner, David, Littenberg, Krumholz & Mentlik, LLP

(57) **CLAIM**

The ornamental design for a foam pogo stick, as shown and described.

DESCRIPTION

FIG. 1 is a front perspective view of a pogo stick in accordance with the present invention;

FIG. 2 is a front elevational view of the present invention (the rear side is mirror image of the front side);

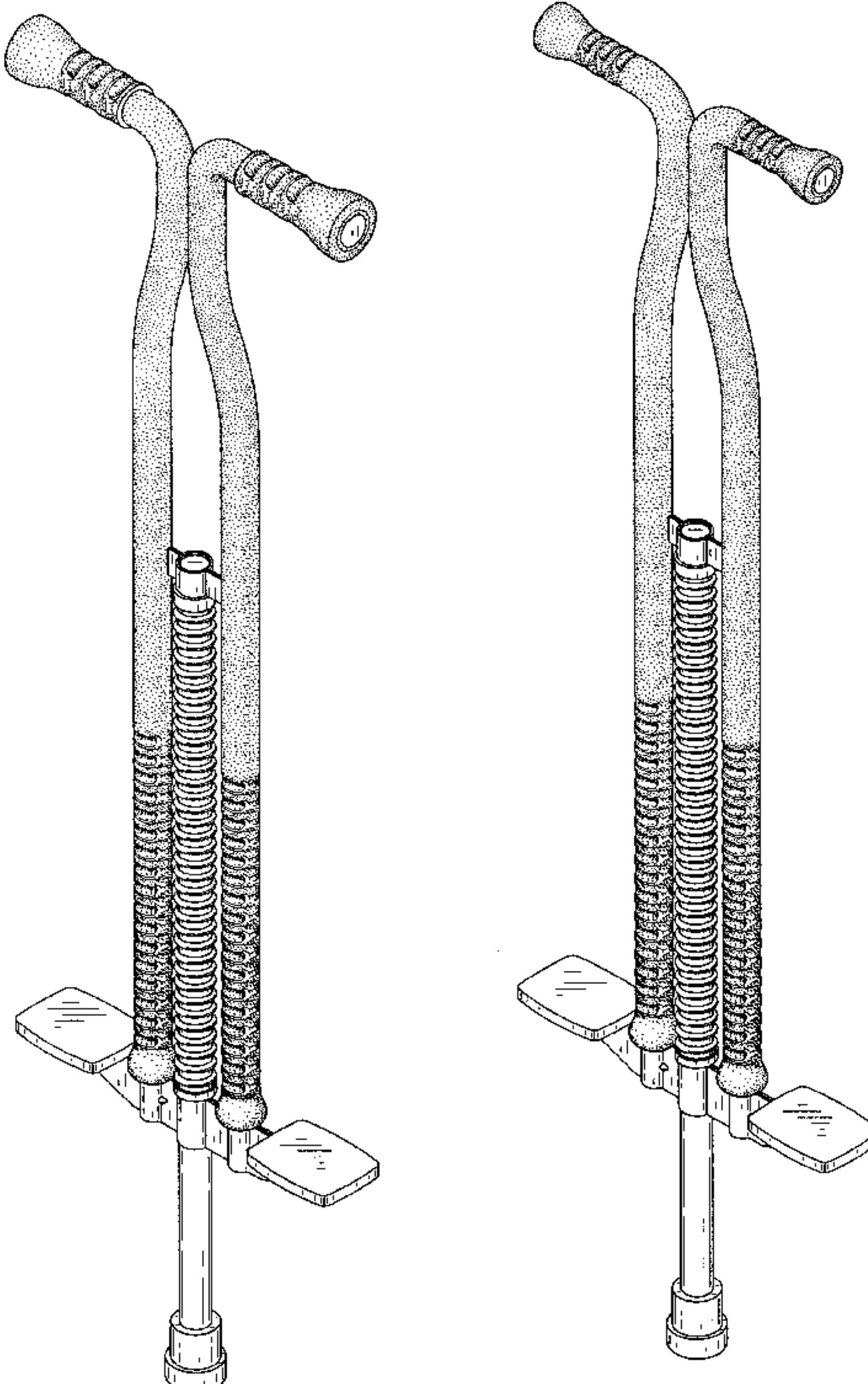
FIG. 3 is a right side elevational view of the present invention (the left side is mirror image of the right side);

FIG. 4 is a top plan view of the present invention;

FIG. 5 is a bottom plan view of the present invention; and,

FIG. 6 is a front perspective view in accordance with a second embodiment of the present invention (the only difference between this embodiment and the first embodiment in FIGS. 1-5 is the handles being proportionally smaller and smooth rather than stepped, all other features being the same as the first embodiment of FIGS. 1-5).

1 Claim, 3 Drawing Sheets



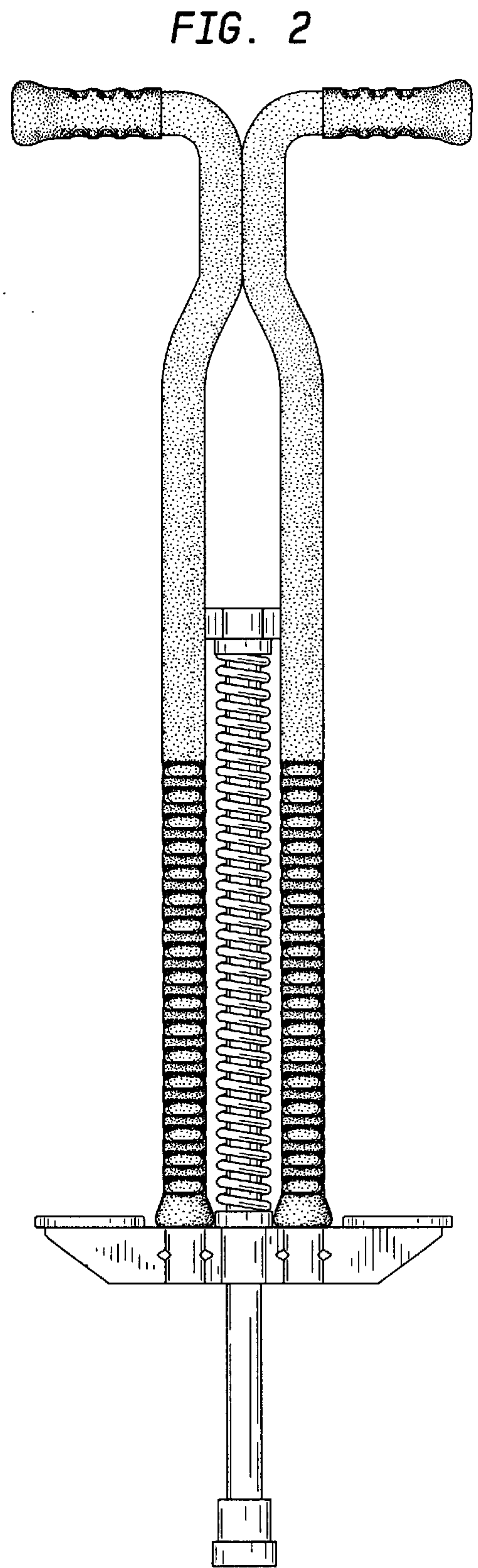
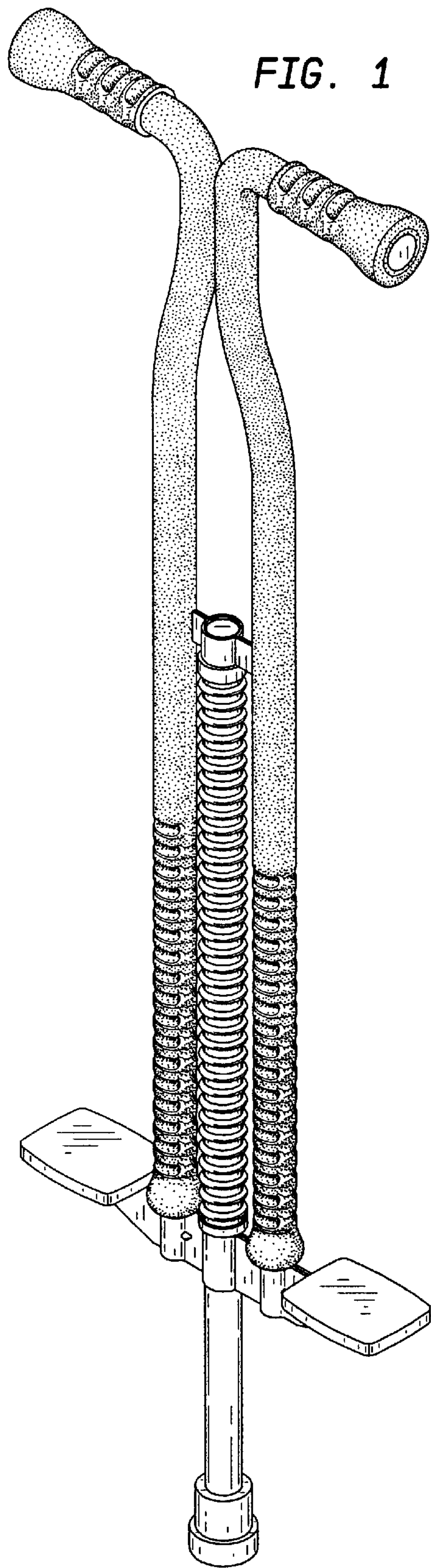


FIG. 3

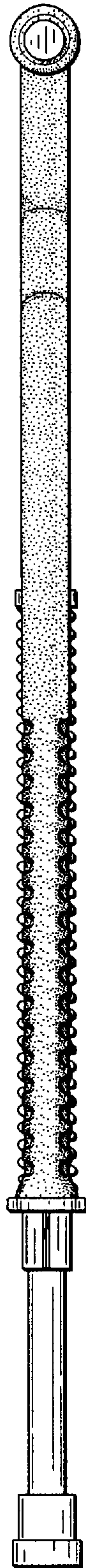


FIG. 4

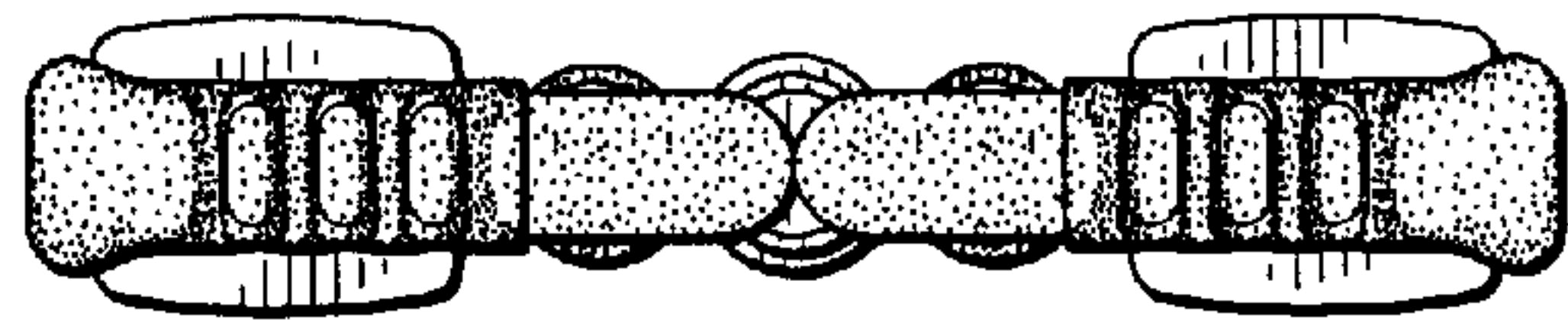


FIG. 5

