



US00D479730S

(12) **United States Design Patent**
Hattori et al.

(10) **Patent No.:** **US D479,730 S**

(45) **Date of Patent:** **** Sep. 16, 2003**

(54) **PRINTER WITH COPYING, SCANNING, AND FACSIMILE FUNCTIONS**

(75) Inventors: **Mitsuharu Hattori**, Nagoya (JP);
Yasutake Yamaguchi, Chiryu (JP)

(73) Assignee: **Brother Industries, Ltd.**, Nagoya (JP)

(**) Term: **14 Years**

(21) Appl. No.: **29/172,026**

(22) Filed: **Dec. 5, 2002**

(30) **Foreign Application Priority Data**

Jun. 10, 2002 (JP) 2002-015551

(51) **LOC (7) Cl.** **14-02**

(52) **U.S. Cl.** **D18/50**

(58) **Field of Search** D18/36-39, 50,
D18/54-55, 54.1, 4.1; D14/462-470, 420-431;
400/613, 613.1-613.4, 691-694, 690.1-690.4

(56) **References Cited**

U.S. PATENT DOCUMENTS

D331,069 S	*	11/1992	Hanasaki et al.	D18/55
D350,741 S	*	9/1994	Chen	D14/462
D356,818 S	*	3/1995	Sekine et al.	D18/55
D363,306 S	*	10/1995	Eto et al.	D18/54
D363,506 S	*	10/1995	Inukai	D18/55
D364,613 S	*	11/1995	Lim	D14/467
D384,097 S	*	9/1997	Ito	D18/55

D390,591 S	*	2/1998	Okamoto et al.	D18/39
D397,096 S	*	8/1998	Chen et al.	D14/422
D409,234 S	*	5/1999	Inoue et al.	D18/54
D423,472 S	*	4/2000	Adachi	D14/423
D444,150 S	*	6/2001	Khovaylo et al.	D14/425
D447,142 S	*	8/2001	Khovaylo et al.	D14/425
D450,706 S	*	11/2001	Khovaylo et al.	D14/425
D452,704 S	*	1/2002	Kobayashi	D18/55
D454,128 S	*	3/2002	Yamano et al.	D14/420
D458,262 S	*	6/2002	Huang et al.	D14/424
D469,769 S	*	2/2003	Sugitani et al.	D14/425

* cited by examiner

Primary Examiner—Cathy Anne MacCormac

(74) *Attorney, Agent, or Firm*—Olliff & Berridge, PLC.

(57) **CLAIM**

The ornamental design for a printer with copying, scanning and facsimile functions, as shown and described.

DESCRIPTION

FIG. 1 is a perspective view of a printer with copying, scanning and facsimile functions;

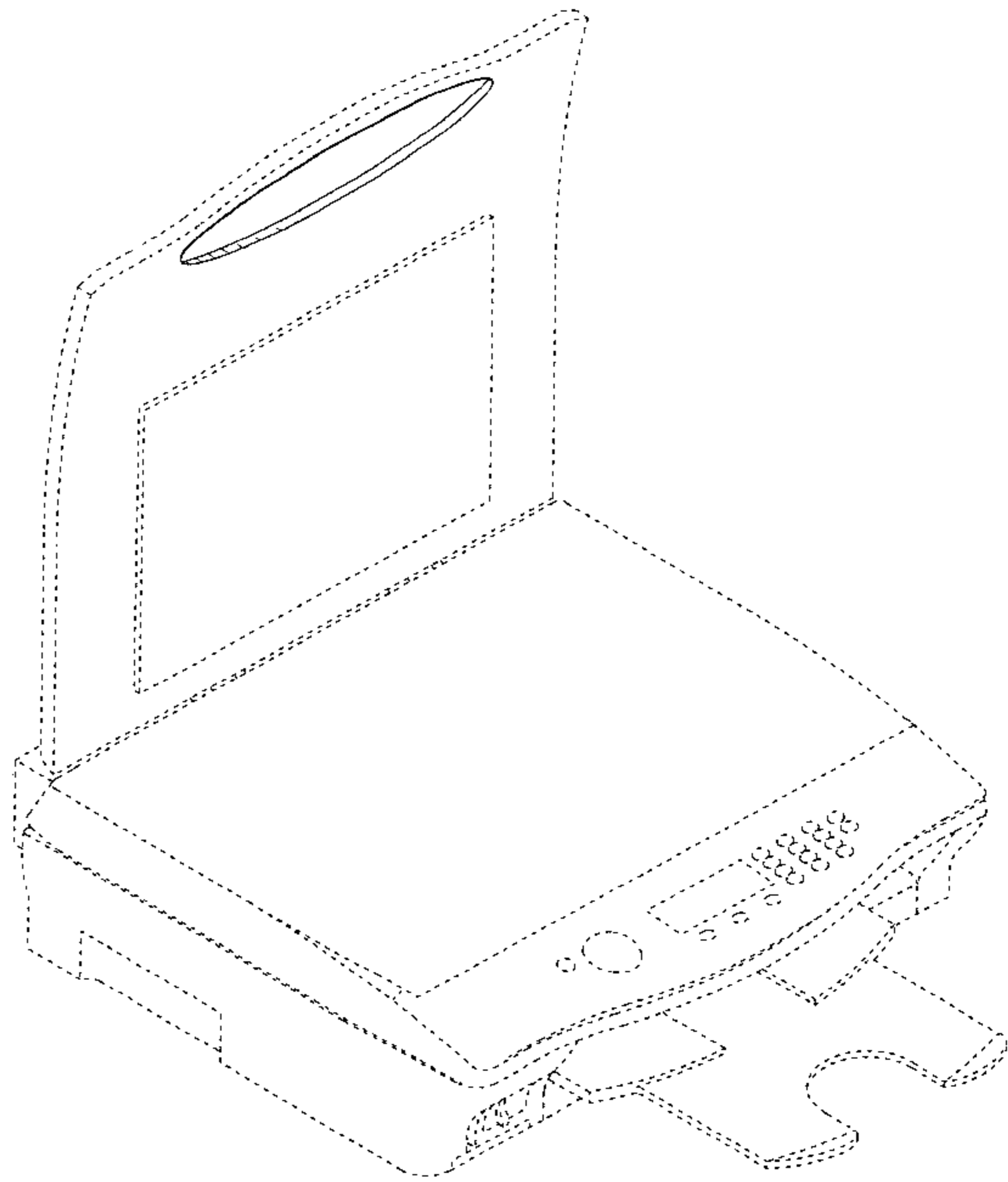
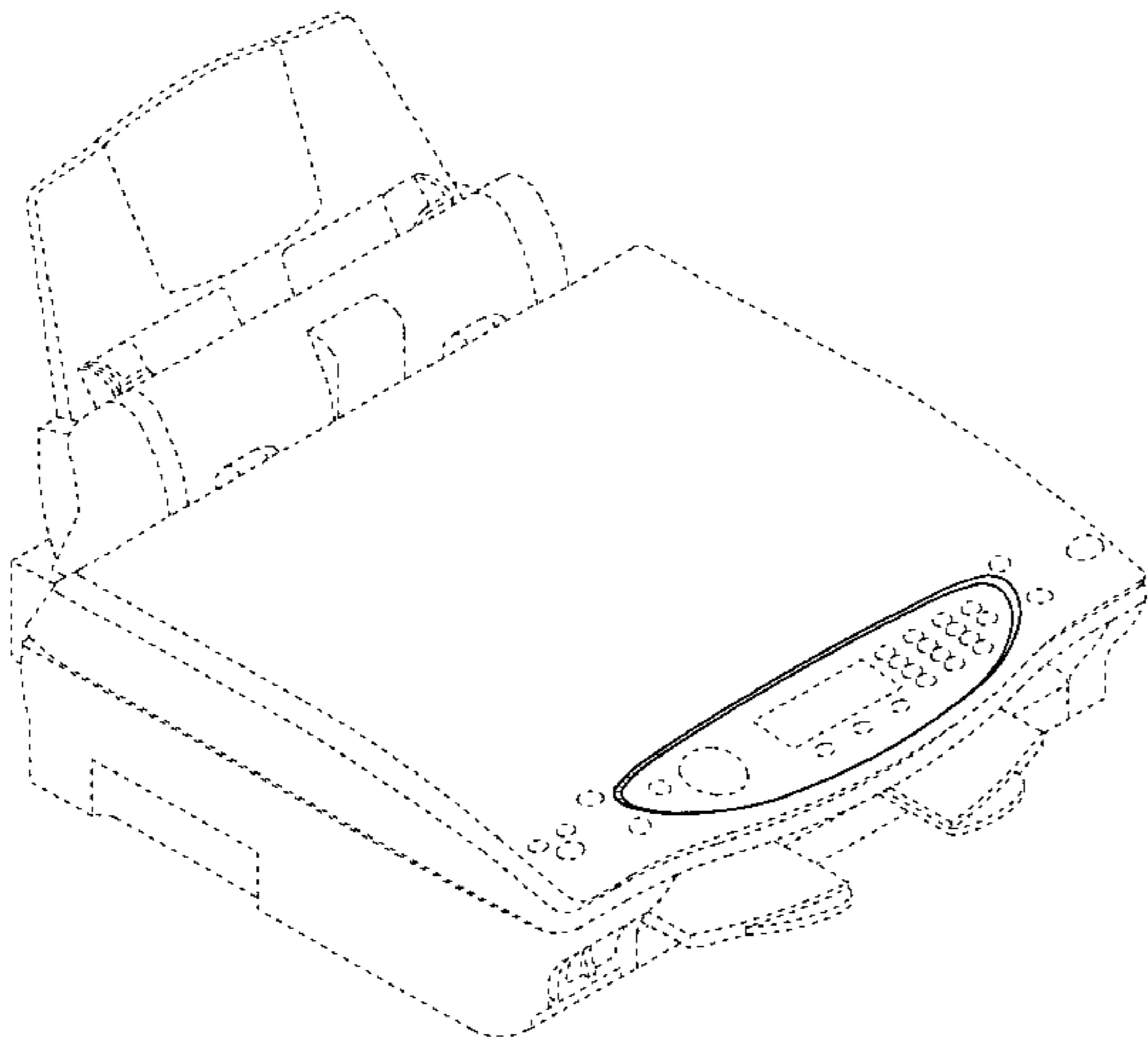
FIG. 2 is a top view thereof;

FIG. 3 is a front view thereof; and,

FIG. 4 is a perspective view thereof with a lid of the printer in an open position.

The broken line showing defines the bounds of the claimed design but does not form part of the claimed design.

1 Claim, 3 Drawing Sheets



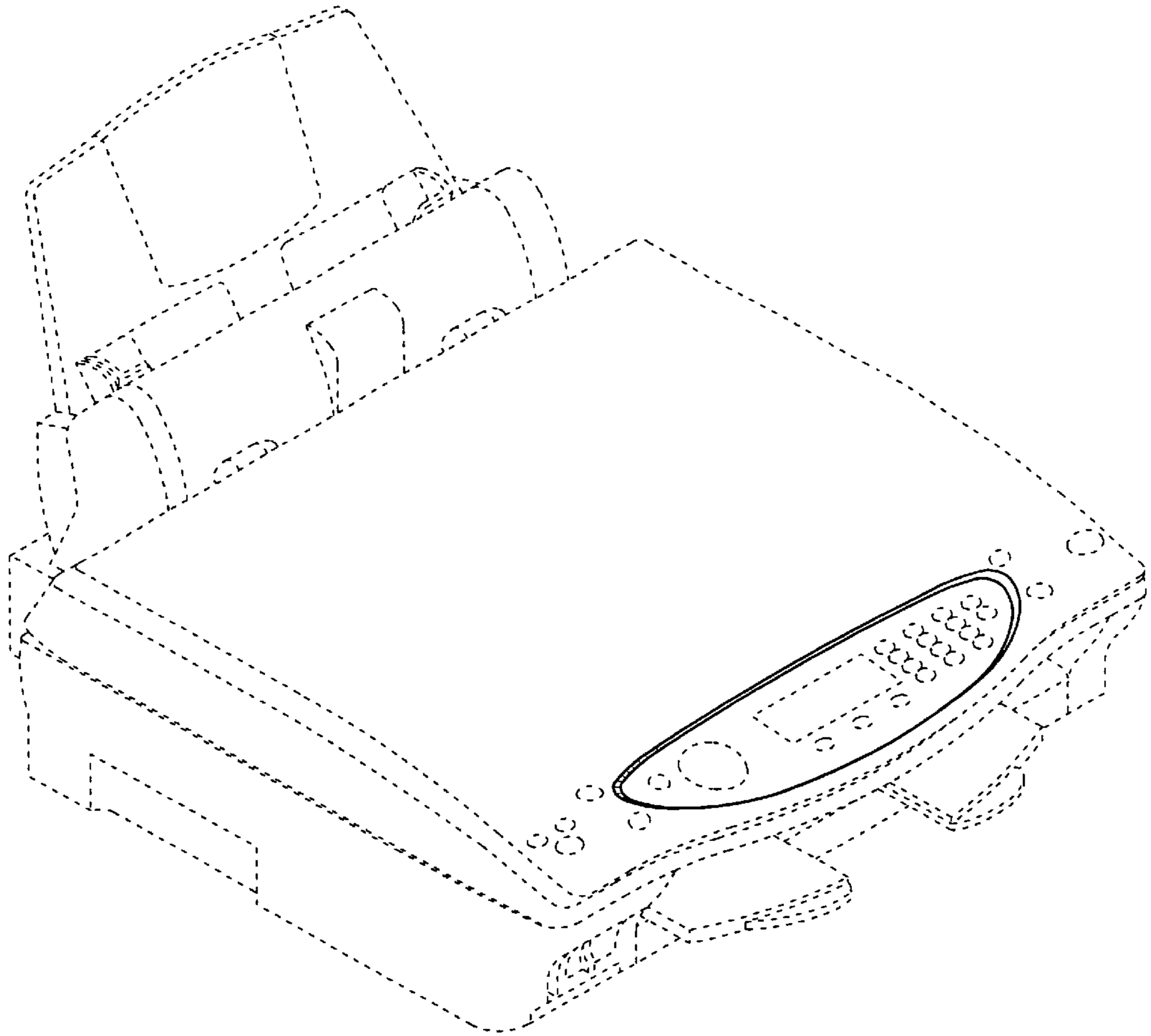


Fig. 1

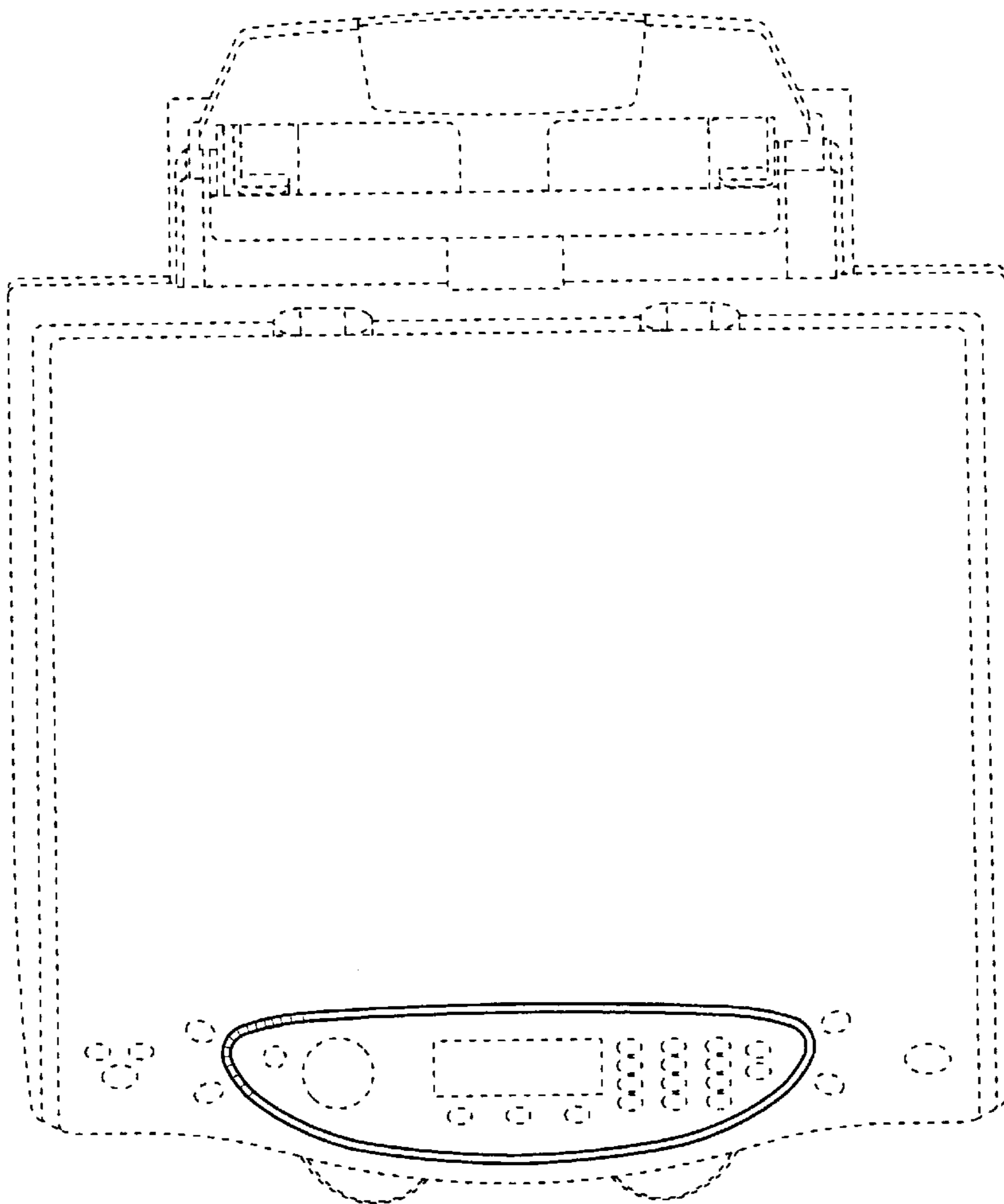


Fig. 2

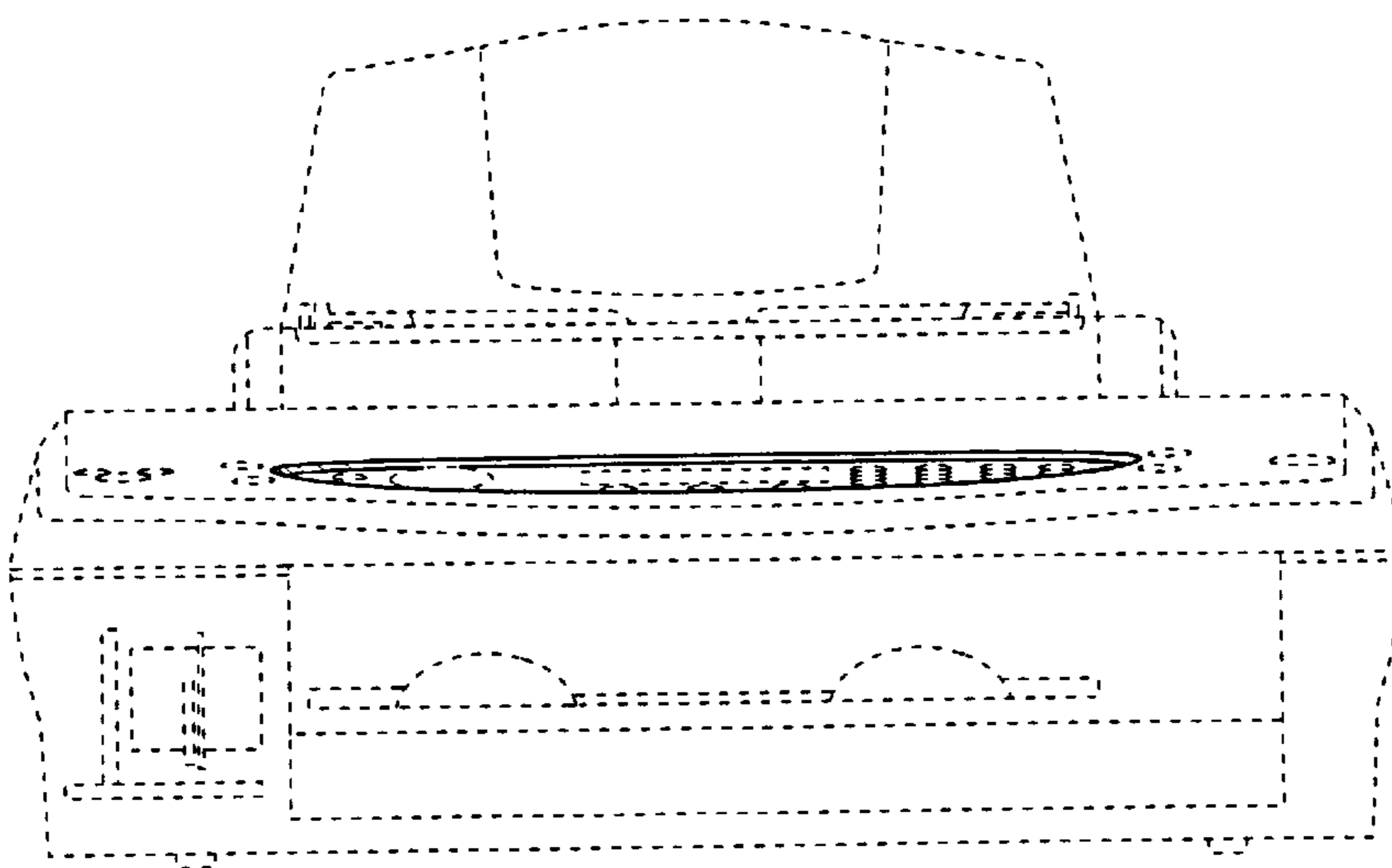


Fig. 3

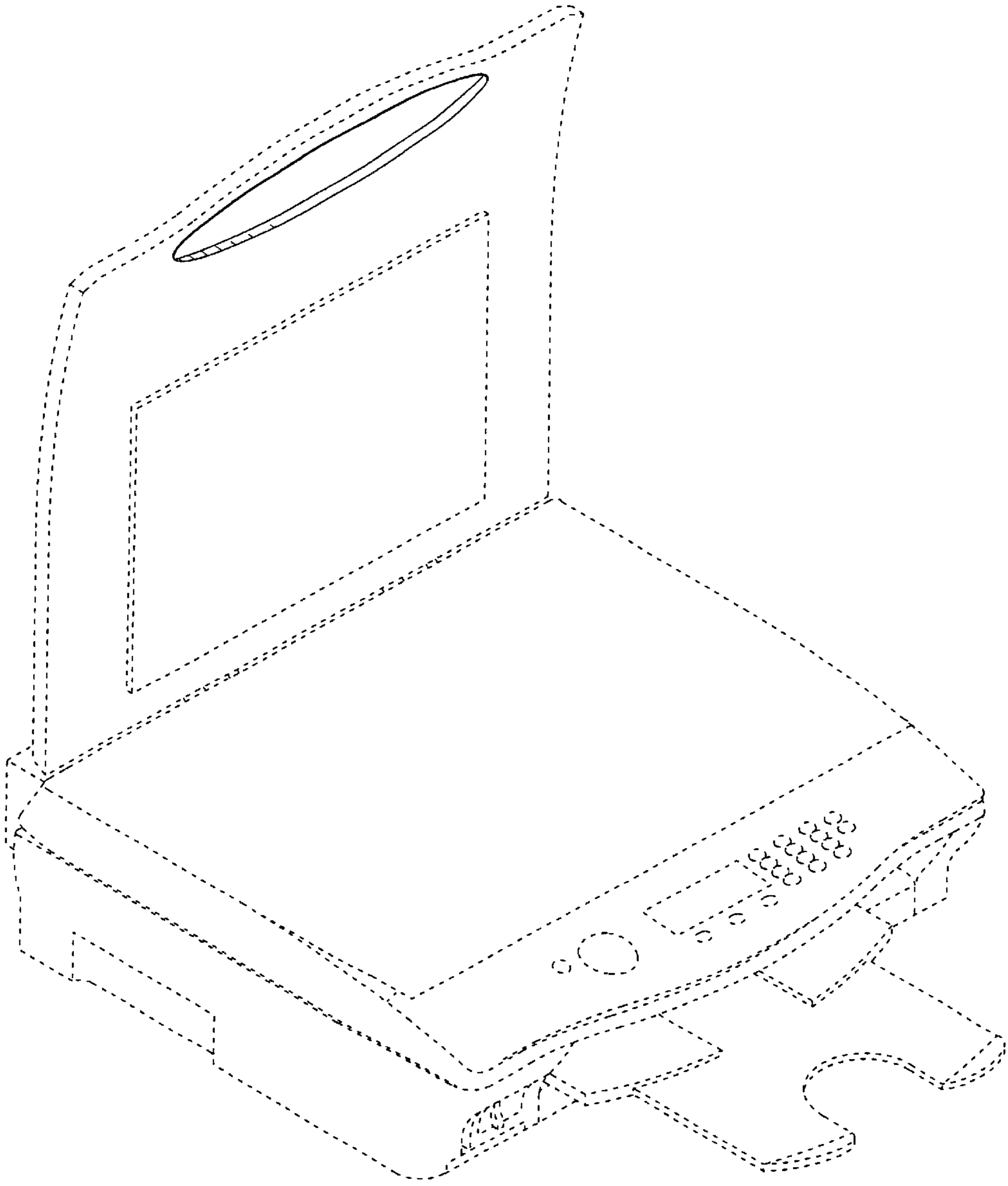


Fig. 4