



US00D479729S

(12) **United States Design Patent**
Kusanagi et al.

(10) **Patent No.:** **US D479,729 S**

(45) **Date of Patent:** **** Sep. 16, 2003**

(54) **IMAGE FORMING APPARATUS**

(75) Inventors: **Takashi Kusanagi**, Tokyo (JP);
Haruhisa Oshida, Chiba-ken (JP);
Kazuki Yokokawa, Chiba-ken (JP)

(73) Assignee: **Canon Kabushiki Kaisha**, Tokyo (JP)

(**) Term: **14 Years**

(21) Appl. No.: **29/143,946**

(22) Filed: **Jun. 25, 2001**

(30) **Foreign Application Priority Data**

Jan. 12, 2001 (JP) 2001-000300

(51) **LOC (7) Cl.** **16-03**

(52) **U.S. Cl.** **D18/40**

(58) **Field of Search** D18/36, 40, 43,
D18/56; 399/24-27, 31, 119-123, 130,
134, 262; 222/DIG. 1

(56) **References Cited**

U.S. PATENT DOCUMENTS

D418,862 S * 1/2000 Ogawa et al. D18/43
D443,295 S 6/2001 Kusanagi et al. D18/40
D446,808 S * 8/2001 Ono et al. D18/43

* cited by examiner

Primary Examiner—Caron D. Veynar

(74) *Attorney, Agent, or Firm*—Fitzpatrick, Cella, Harper &
Scinto

(57) **CLAIM**

The ornamental design for an image forming apparatus, as shown and described.

DESCRIPTION

FIG. 1 is a front view of an image forming apparatus showing our new design;

FIG. 2 is a rear view thereof;

FIG. 3 is a top plan view thereof;

FIG. 4 is a bottom plan view thereof;

FIG. 5 is a left side view thereof;

FIG. 6 is a right side view thereof;

FIG. 7 is a perspective view as viewed from front direction thereof;

FIG. 8 is a perspective view as viewed from rear direction thereof;

FIG. 9 is a perspective view as viewed from bottom direction thereof;

FIG. 10 is a perspective view from front direction thereof showing the state in which a protective cover is attached;

FIG. 11 is a perspective view from rear direction thereof showing the state in which a protective cover is attached; and,

FIG. 12 is a perspective view from bottom direction thereof showing the state in which a protective cover is attached.

The broken line showing of a protective cover in FIGS. 10 to 12 is for illustrative purposes only and forms no part of the claimed design.

1 Claim, 10 Drawing Sheets

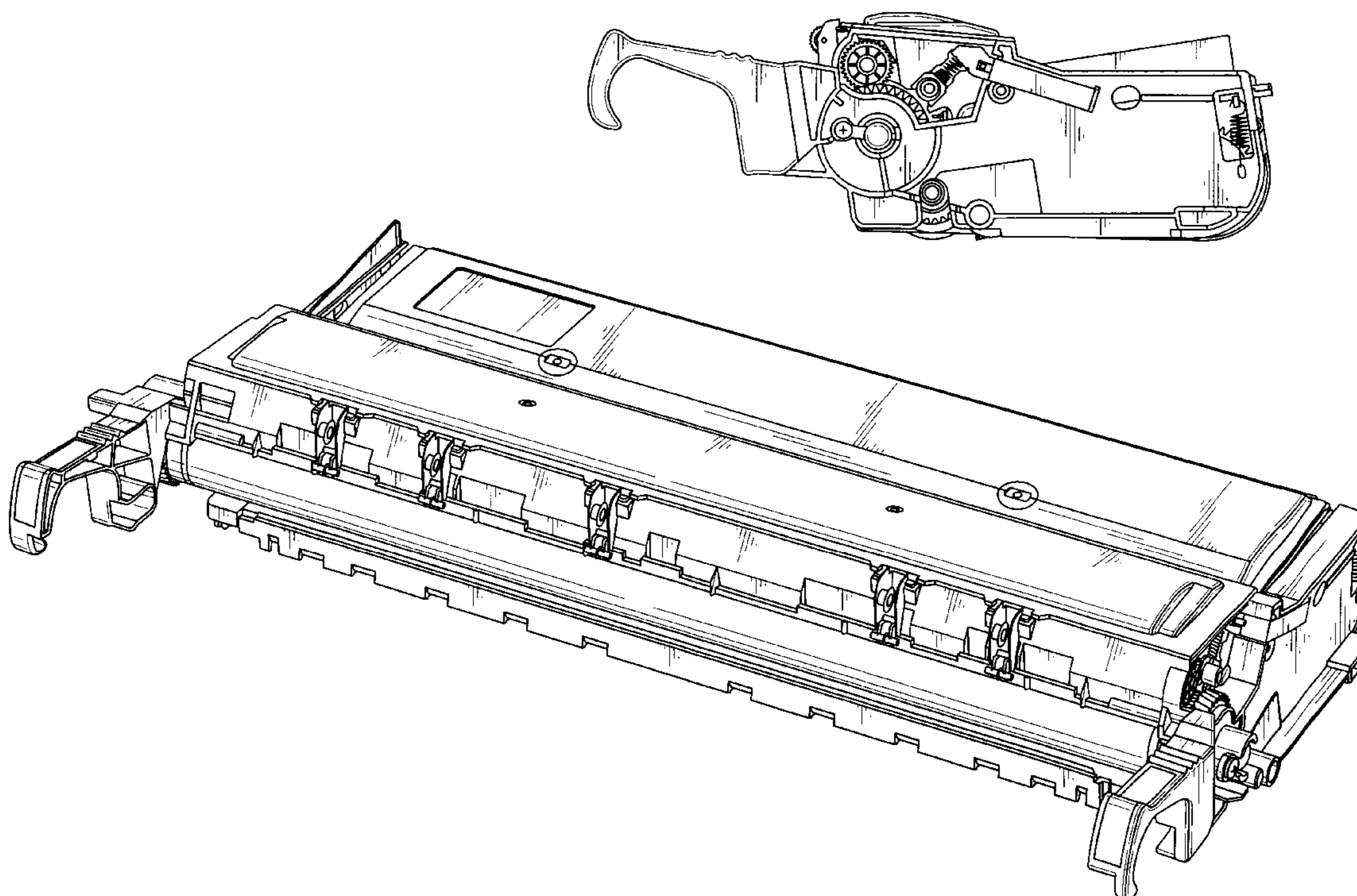


FIG. 1

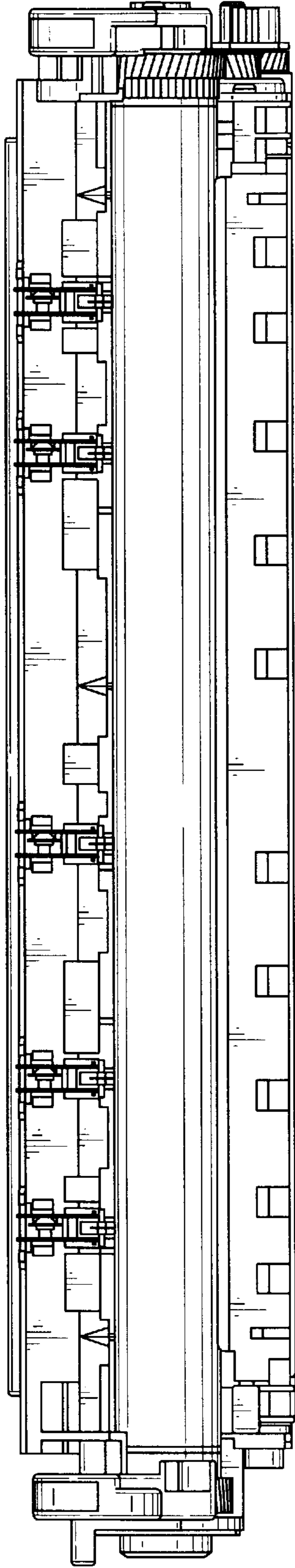


FIG. 2

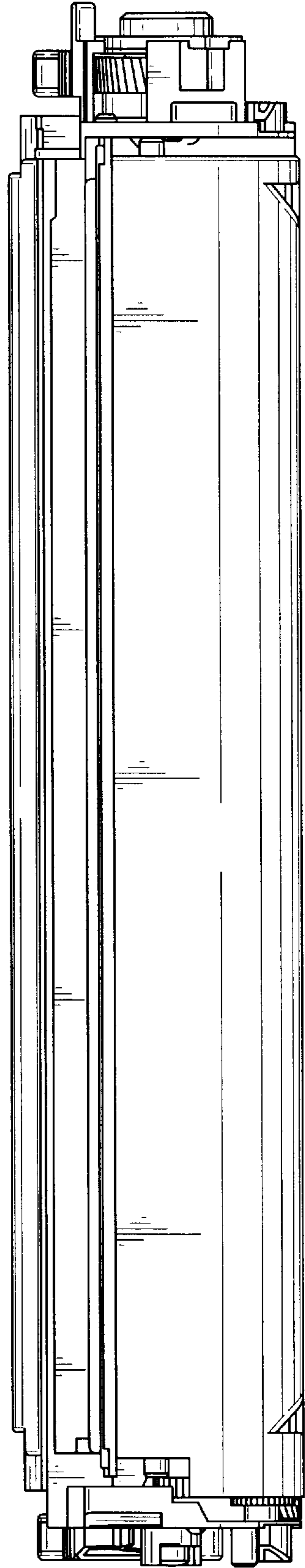


FIG. 3

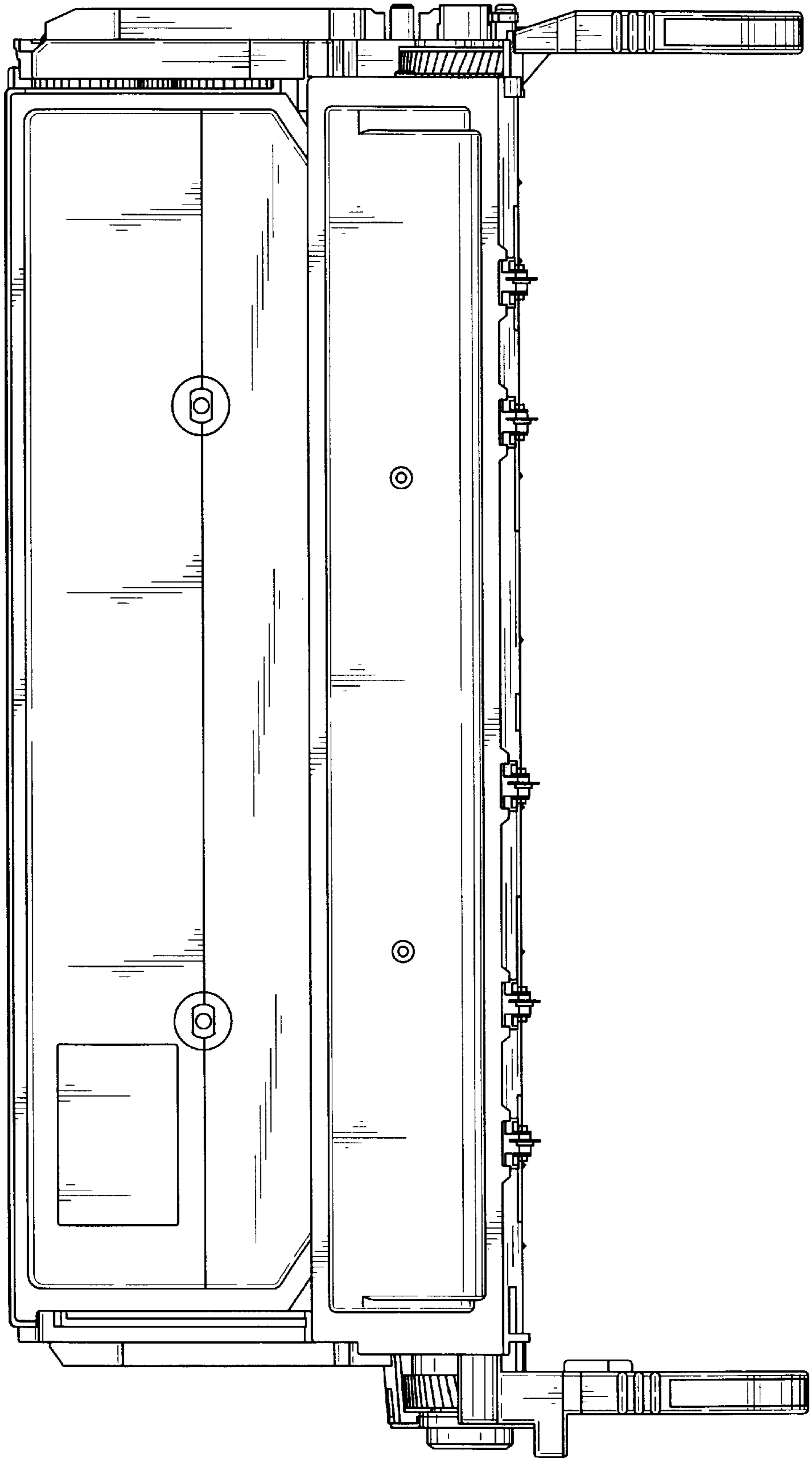


FIG. 4

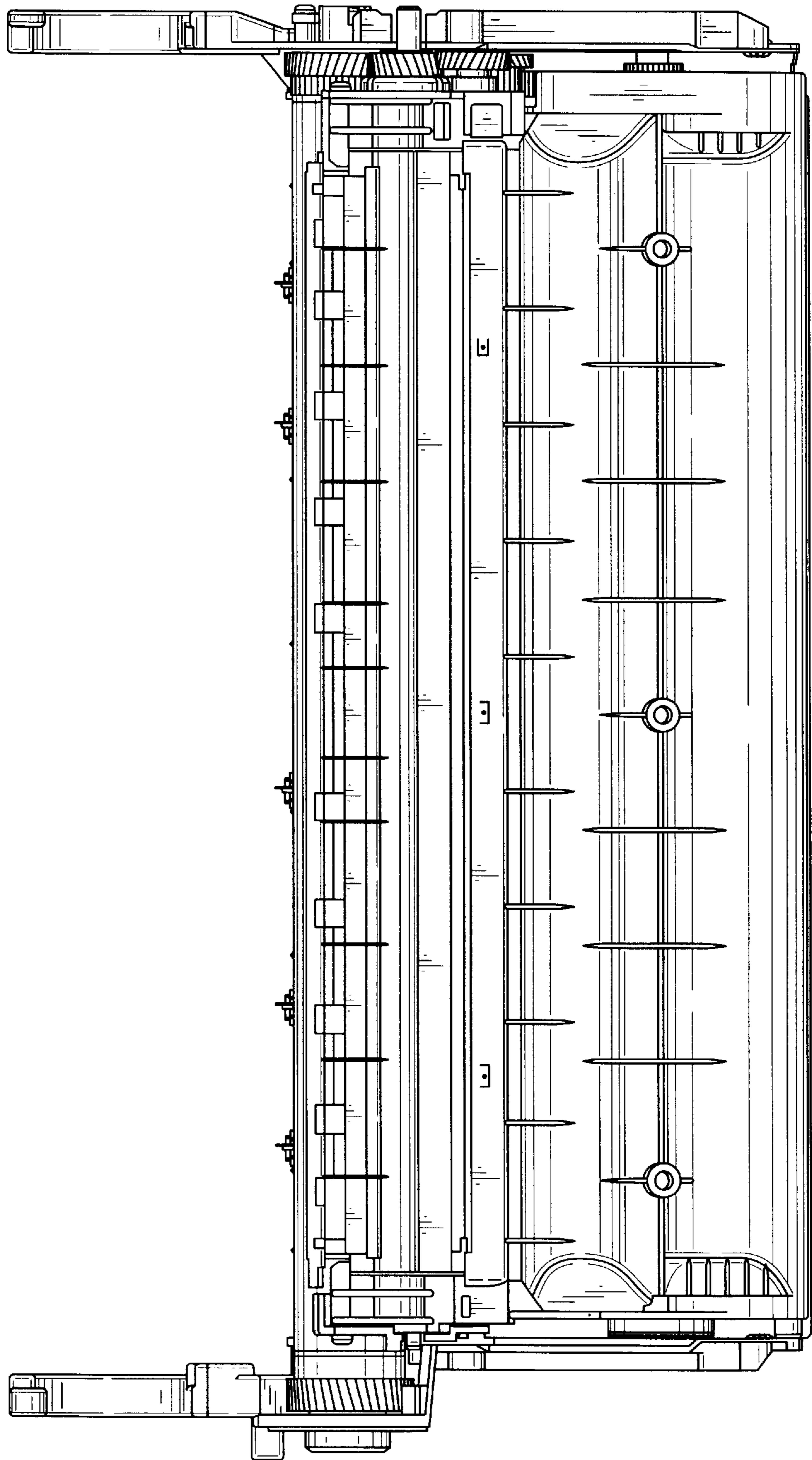


FIG. 5

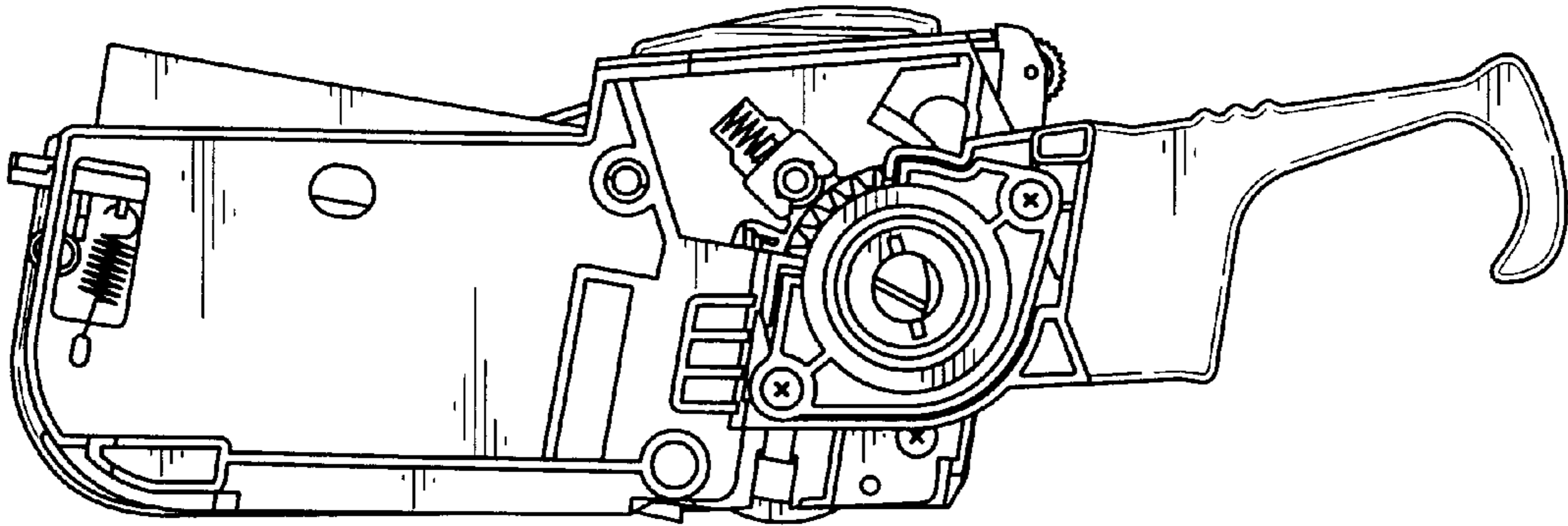


FIG. 6

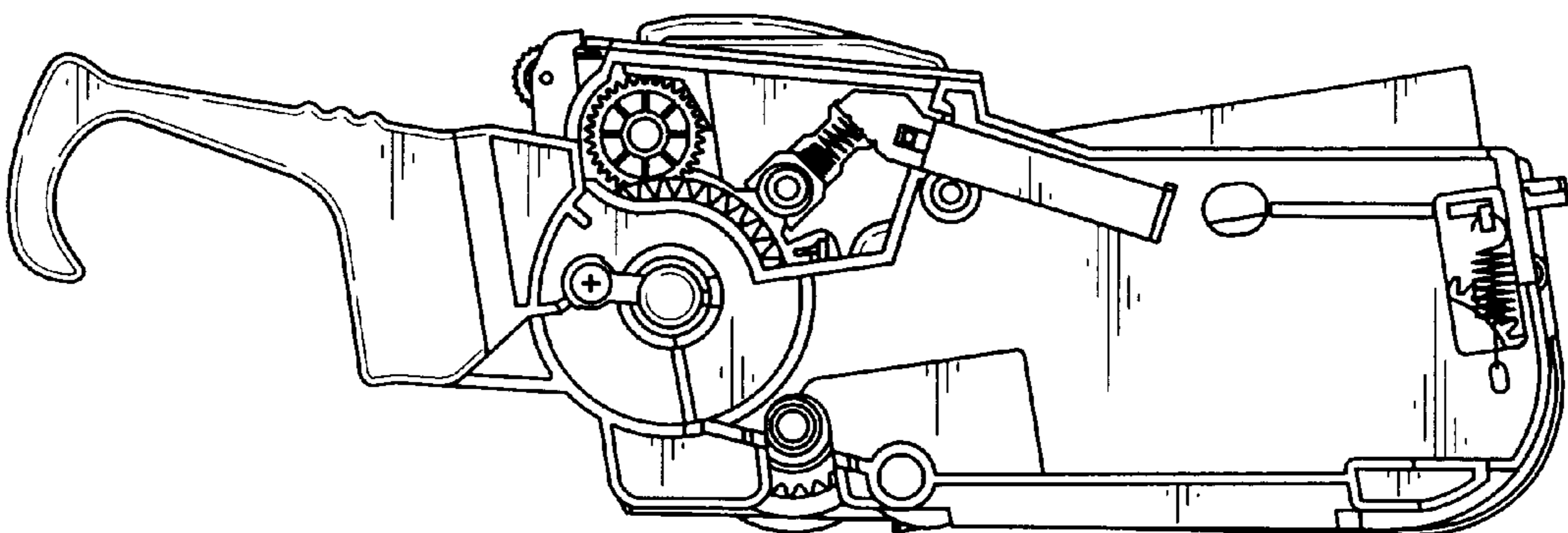


FIG. 7

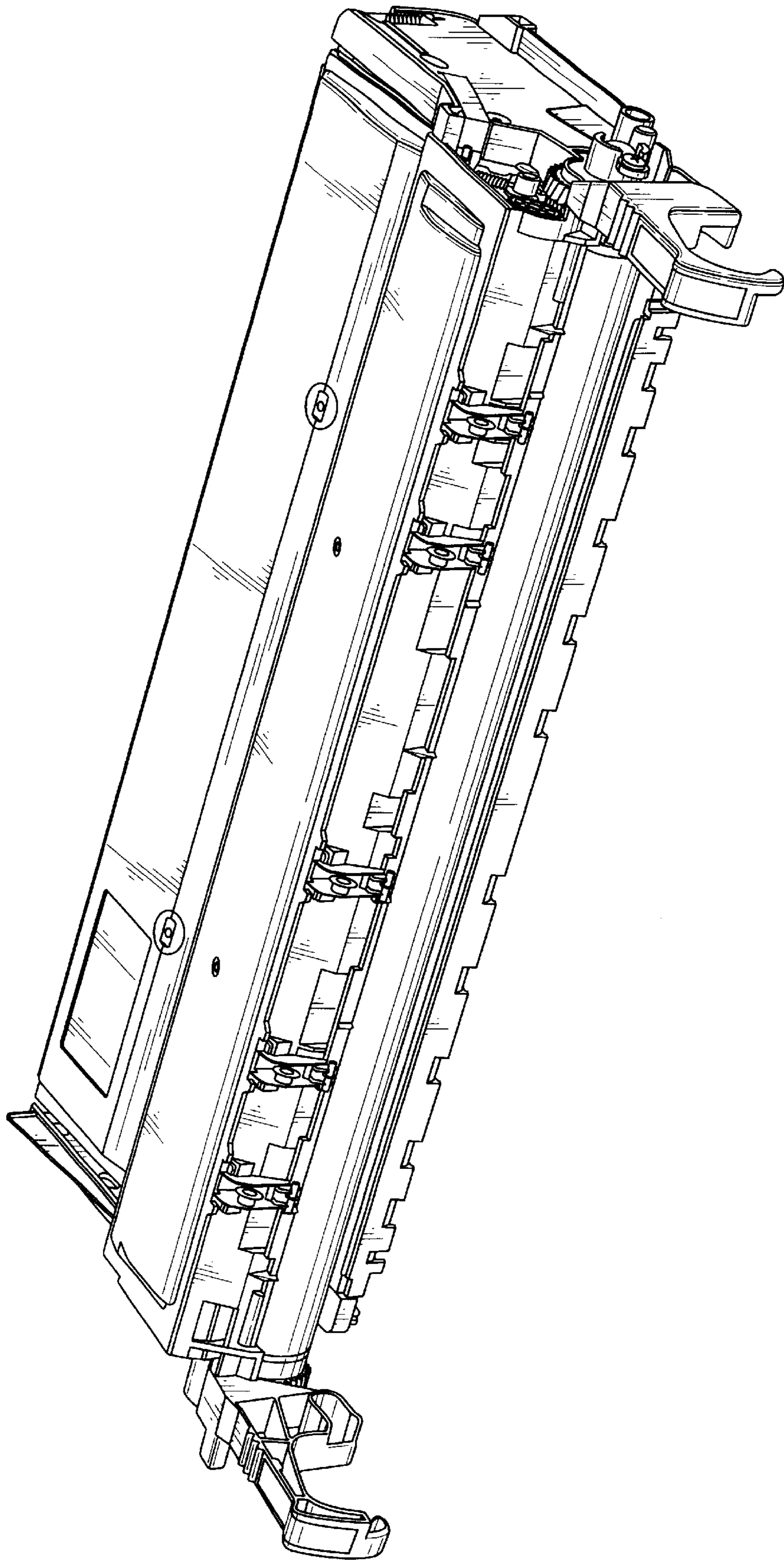


FIG. 8

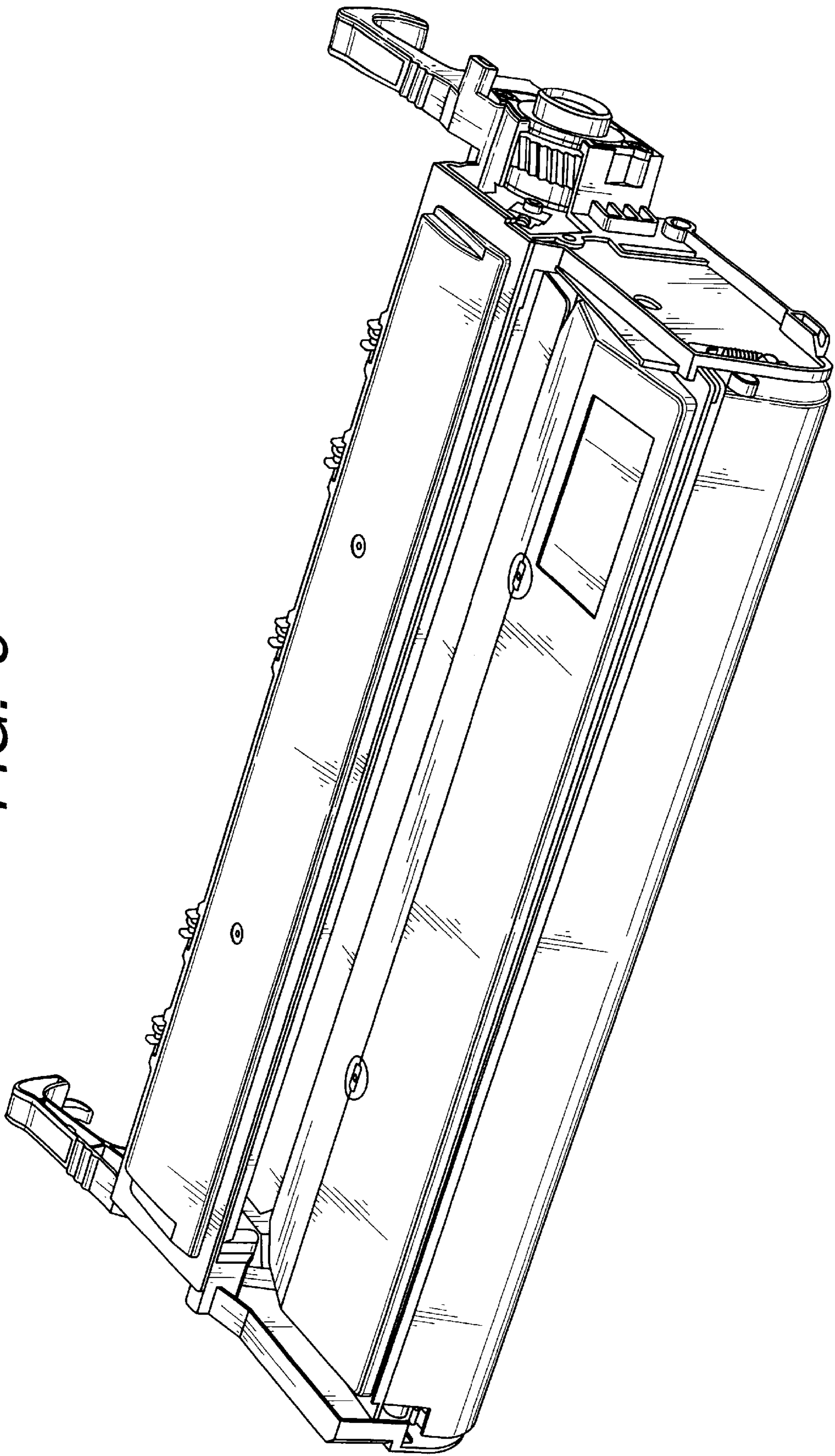


FIG. 9

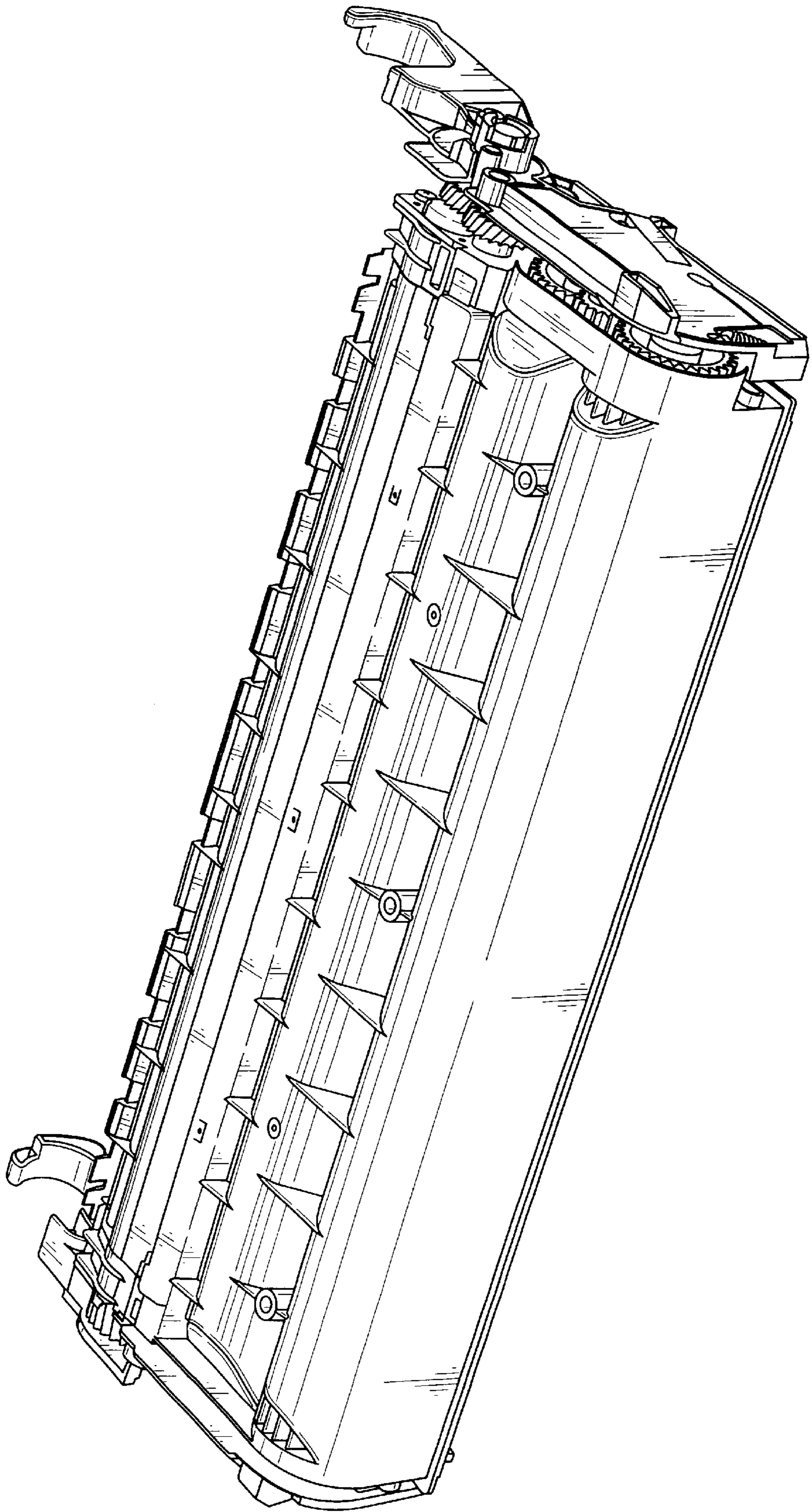


FIG. 10

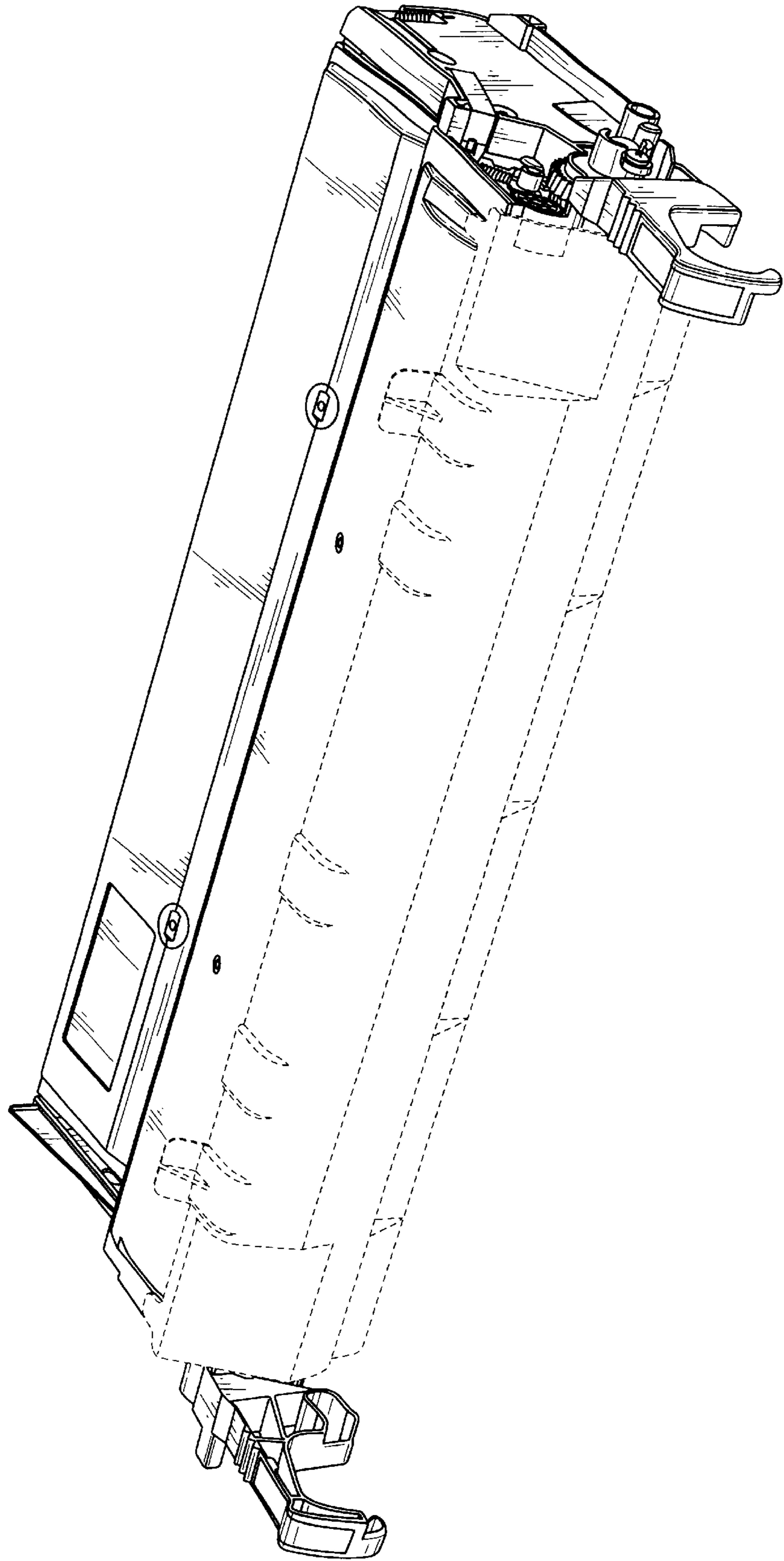


FIG. 11

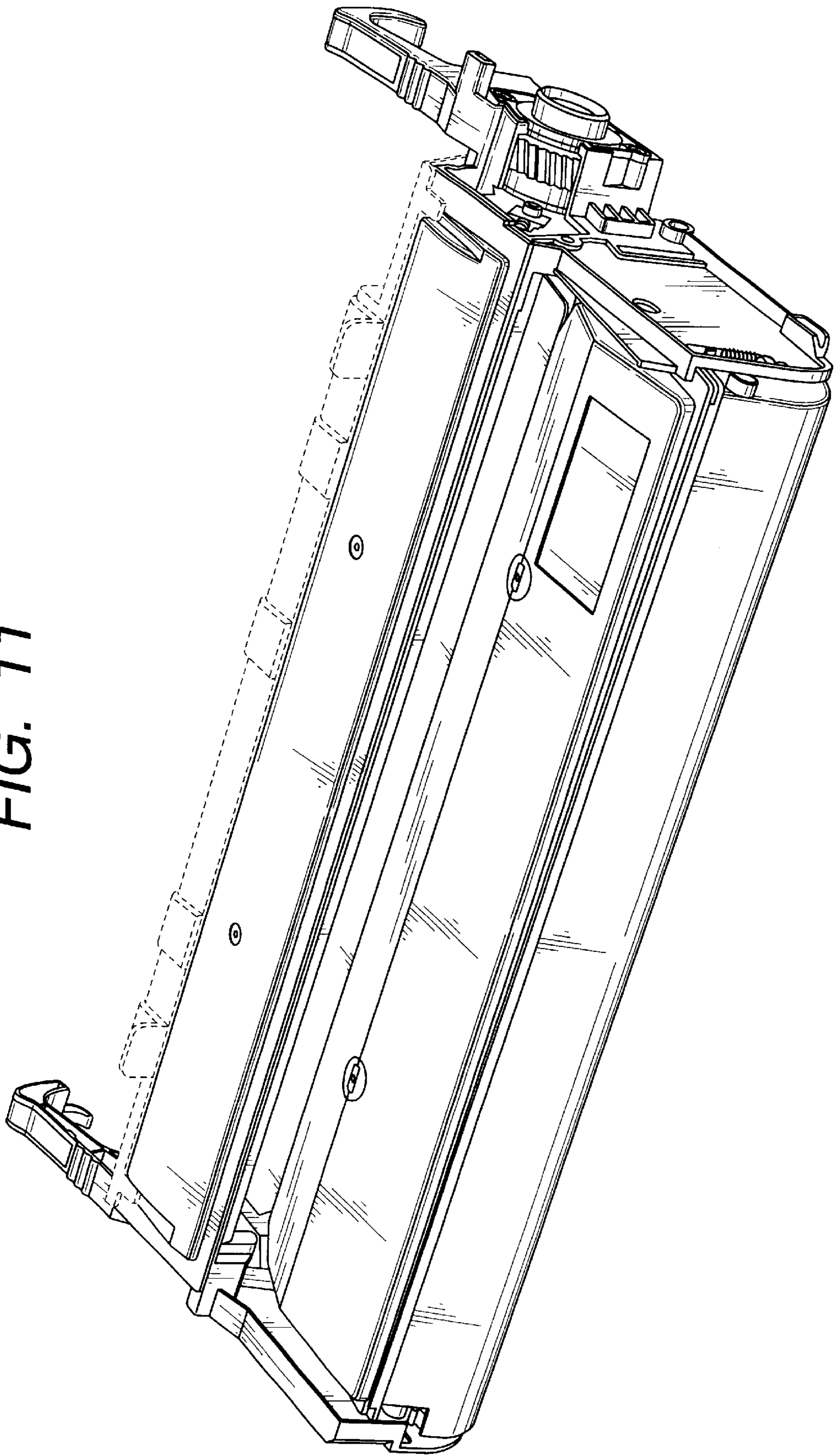


FIG. 12

