



US00D479726S

(12) **United States Design Patent**
Tanaka

(10) **Patent No.:** **US D479,726 S**

(45) **Date of Patent:** **** Sep. 16, 2003**

(54) **VIDEO CAMERA WITH VIDEO TAPE RECORDER**

(75) Inventor: **Chifuyu Tanaka, Tokyo (JP)**

(73) Assignee: **Canon Kabushiki Kaisha, Tokyo (JP)**

(**) Term: **14 Years**

(21) Appl. No.: **29/168,906**

(22) Filed: **Oct. 11, 2002**

(30) **Foreign Application Priority Data**

Apr. 24, 2002 (JP) 2002-011003

(51) **LOC (7) Cl.** **16-01**

(52) **U.S. Cl.** **D16/202**

(58) **Field of Search** D16/200-205,
D16/208, 218; 348/373-376; 358/906, 909.1;
396/535-541

(56) **References Cited**

U.S. PATENT DOCUMENTS

D337,340 S 7/1993 Tanaka D16/202
D391,588 S * 3/1998 Sumita D16/202
D396,051 S * 7/1998 Mori D16/202
D426,843 S 6/2000 Tanaka D16/202

D429,747 S 8/2000 Tanaka D16/219
D446,800 S * 8/2001 Fukushima et al. D16/202
D463,809 S * 10/2002 Lo D16/202
D469,793 S * 2/2003 Onoda et al. D16/202

FOREIGN PATENT DOCUMENTS

JP 1113480 7/2001

* cited by examiner

Primary Examiner—Adir Aronovich

(74) *Attorney, Agent, or Firm*—Fitzpatrick, Cella, Harper & Scinto

(57) **CLAIM**

The ornamental design for a video camera with video tape recorder, as shown and described.

DESCRIPTION

FIG. 1 is a front view of a video camera with video tape recorder showing my new design;
FIG. 2 is a rear view thereof;
FIG. 3 is a top plan view thereof;
FIG. 4 is a bottom plan view thereof;
FIG. 5 is a left side view thereof;
FIG. 6 is a right side view thereof; and,
FIG. 7 is a perspective view thereof.

1 Claim, 4 Drawing Sheets

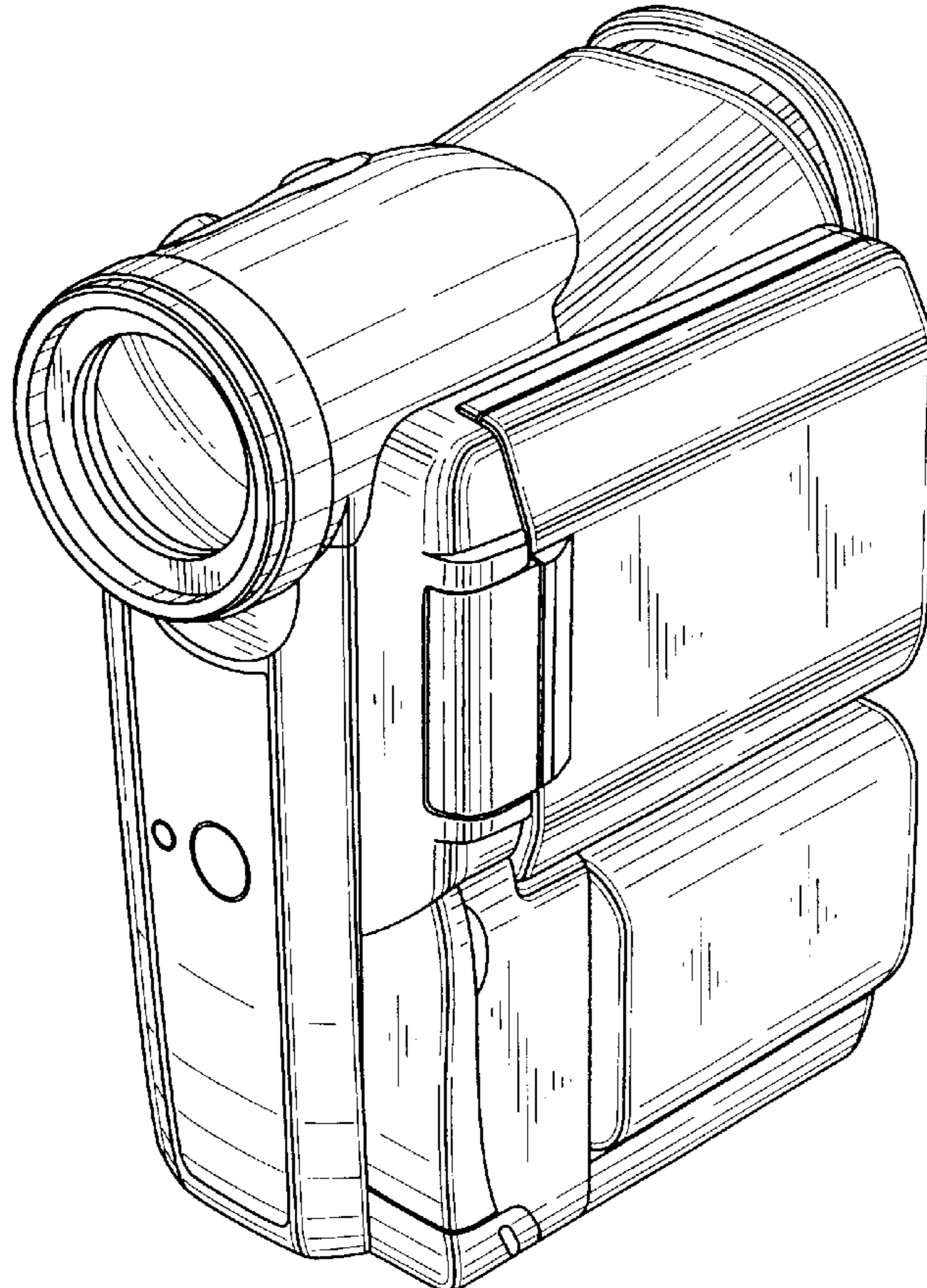


FIG. 1

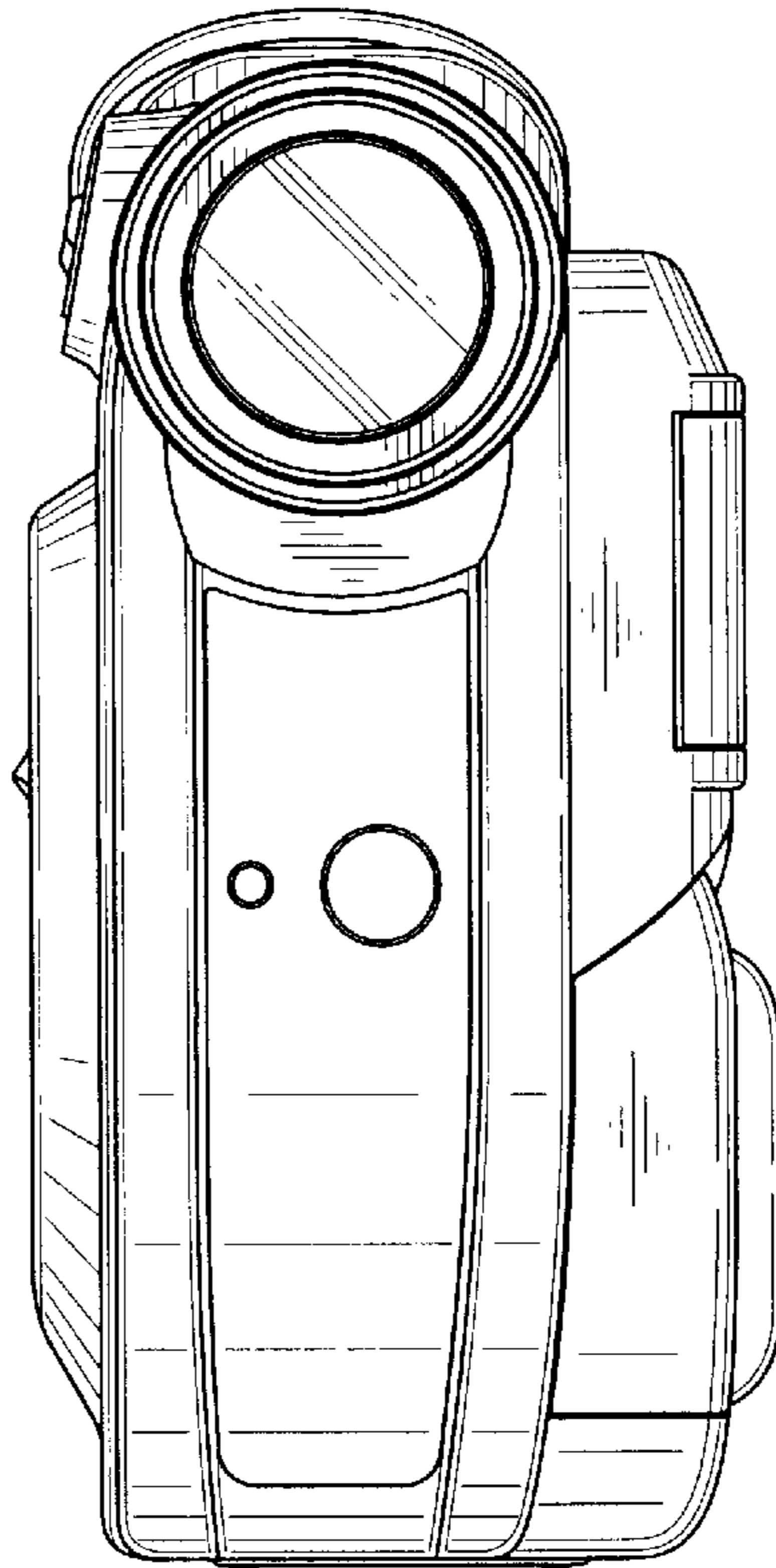


FIG. 2

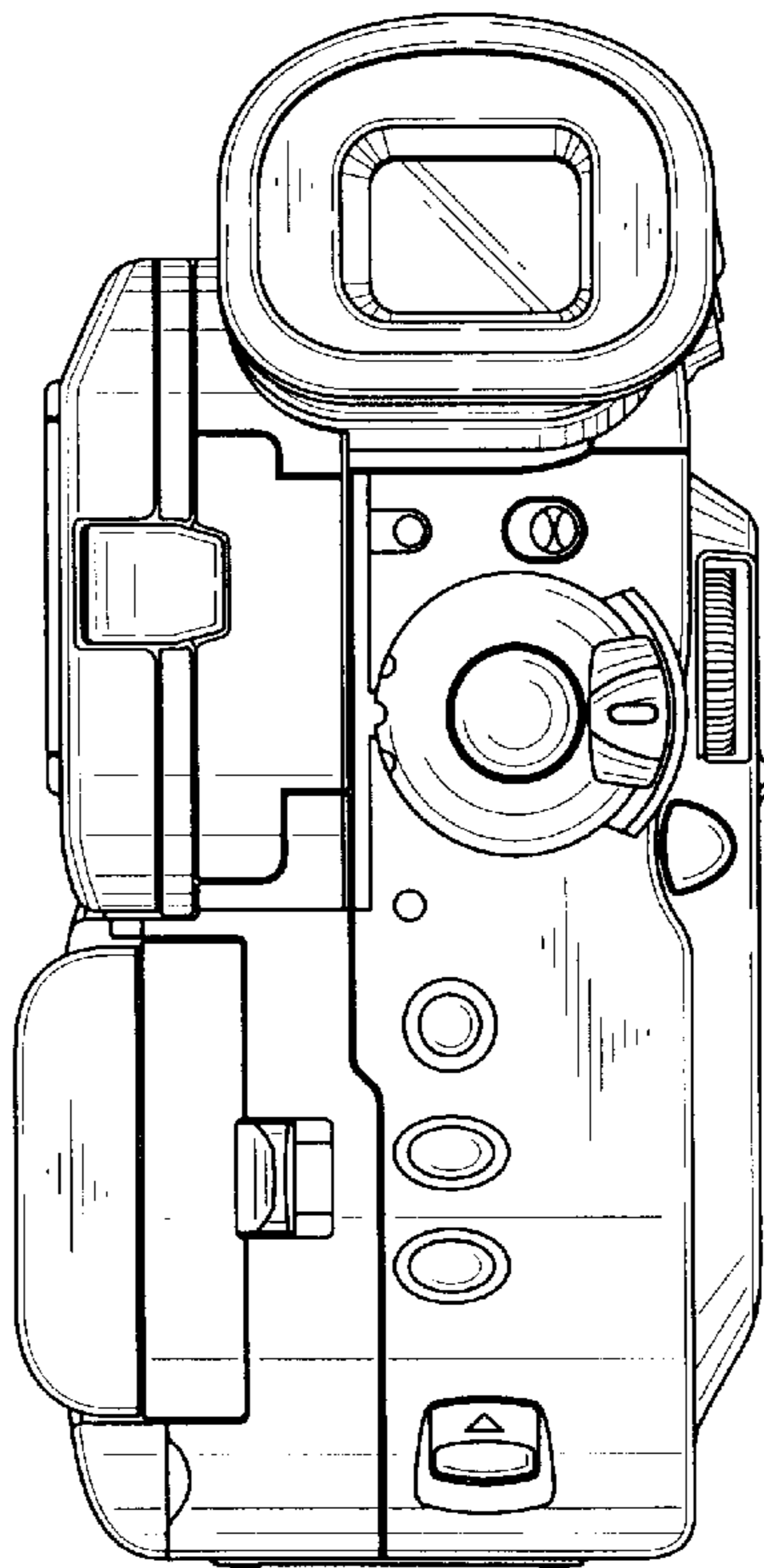


FIG. 3

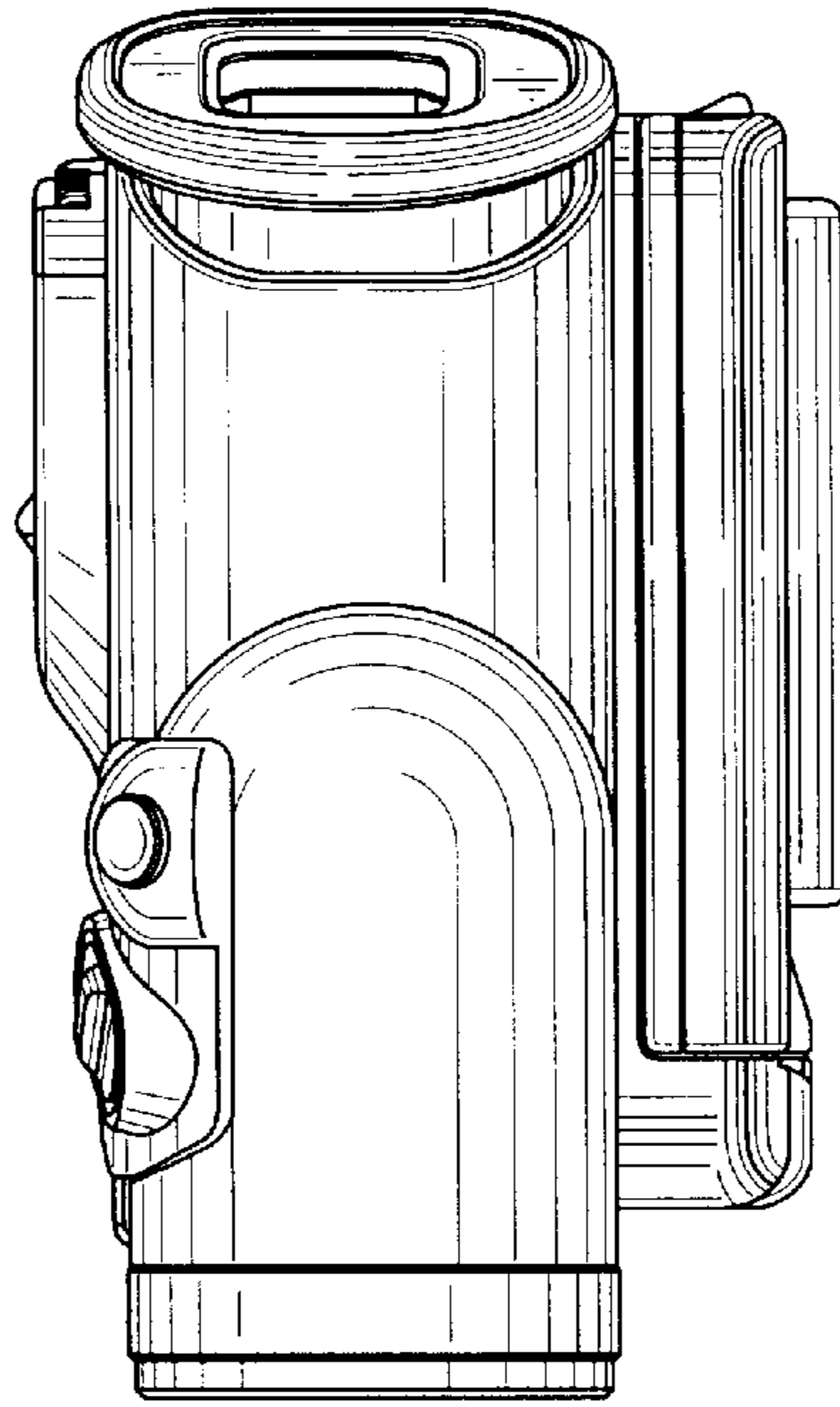


FIG. 4

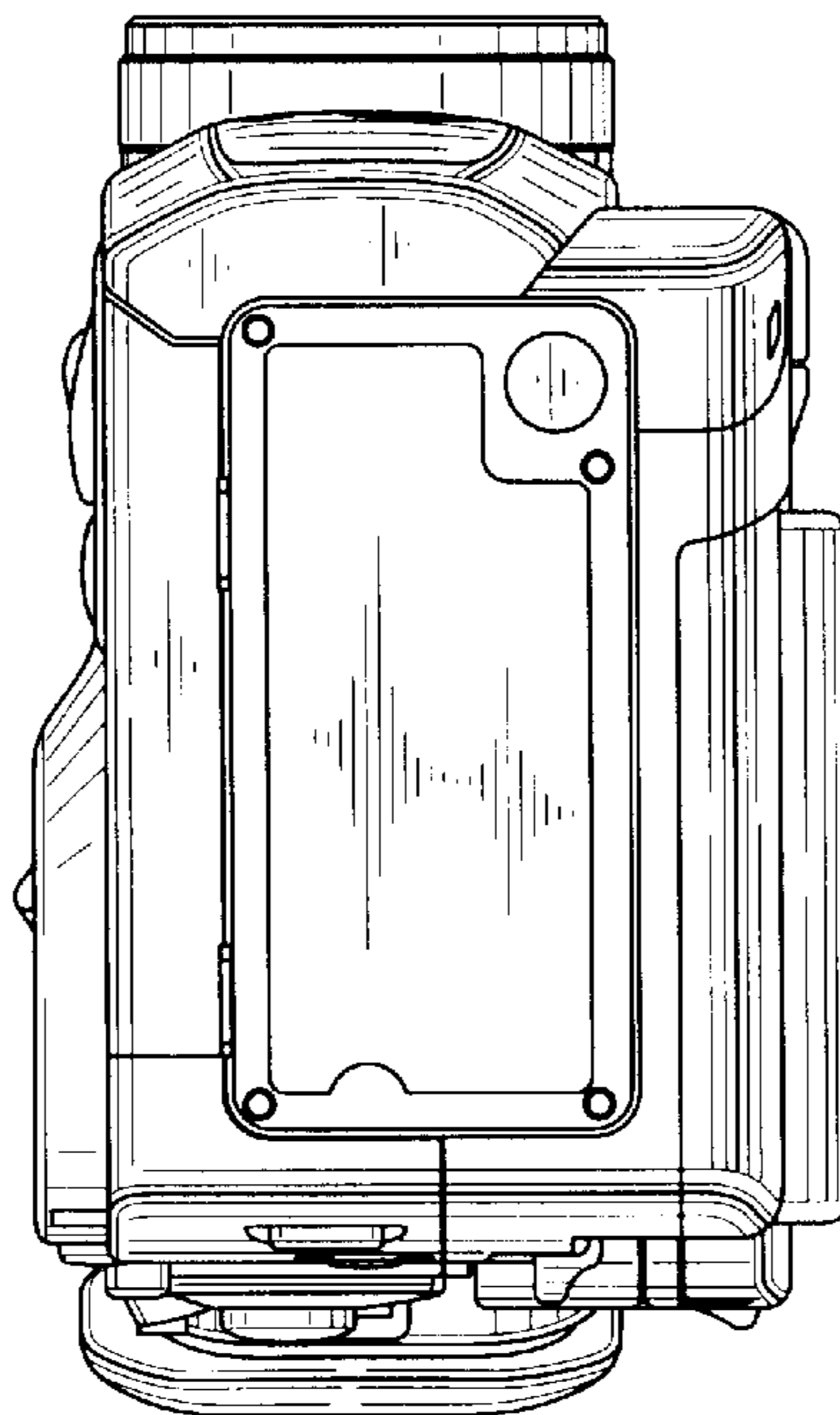


FIG. 5

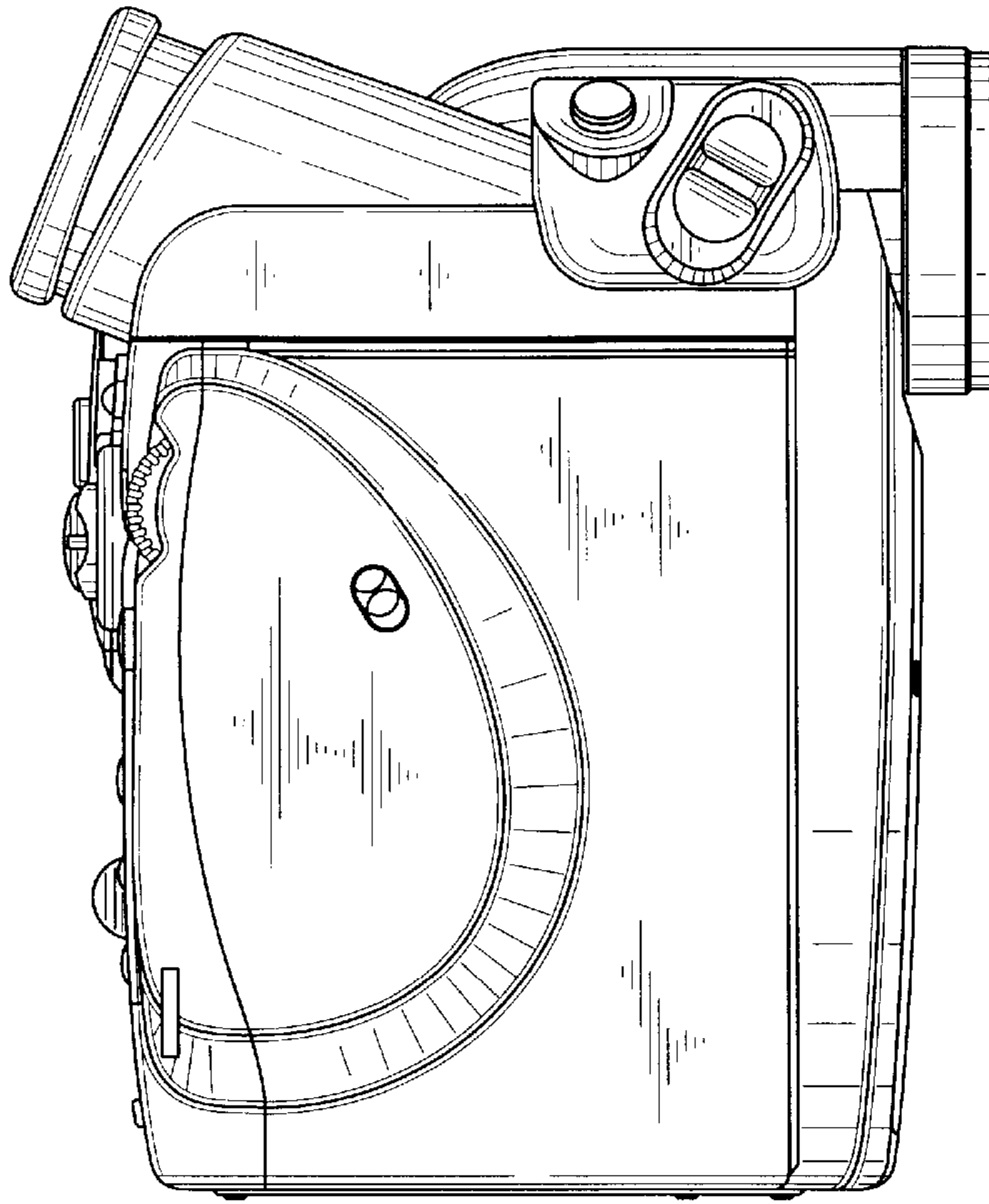


FIG. 6

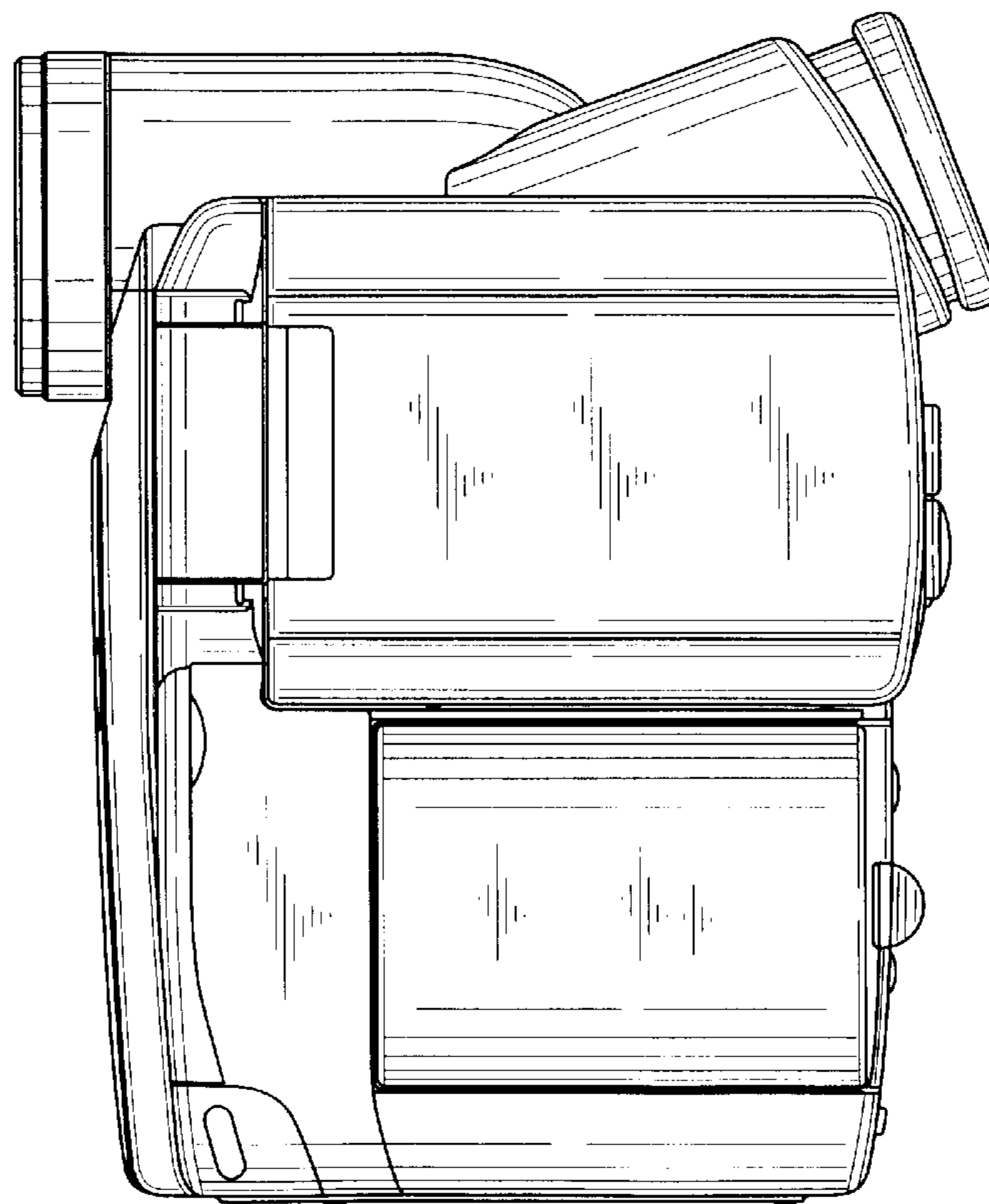


FIG. 7

