



US00D479724S

(12) **United States Design Patent**  
**Wang**

(10) **Patent No.:** **US D479,724 S**

(45) **Date of Patent:** **\*\* Sep. 16, 2003**

(54) **COPY CRAFTER**

(76) Inventor: **Chin-Feng Wang**, 11F-2, No.43 Chai-I Street, Taichung City (TW)

(\*\*) Term: **14 Years**

(21) Appl. No.: **29/163,847**

(22) Filed: **Jul. 15, 2002**

(51) **LOC (7) Cl.** ..... **15-09**

(52) **U.S. Cl.** ..... **D15/127**

(58) **Field of Search** ..... D15/127; 144/144.1, 144/135.3, 154.5, 144.51, 372; 409/125, 130

(56) **References Cited**

**U.S. PATENT DOCUMENTS**

5,667,001 A \* 9/1997 Sanger et al. .... 144/144.1

6,363,982 B1 \* 4/2002 Nixon, Jr. .... 144/144.51

\* cited by examiner

*Primary Examiner*—Antoine Duval Davis

(74) *Attorney, Agent, or Firm*—Charles E. Baxley

(57) **CLAIM**

The ornamental design for a copy crafter, as shown and described.

**DESCRIPTION**

FIG. 1 is a front-right-top perspective view of a copy crafter, showing my new design;

FIG. 2 is a front elevational view thereof;

FIG. 3 is a rear elevational view thereof;

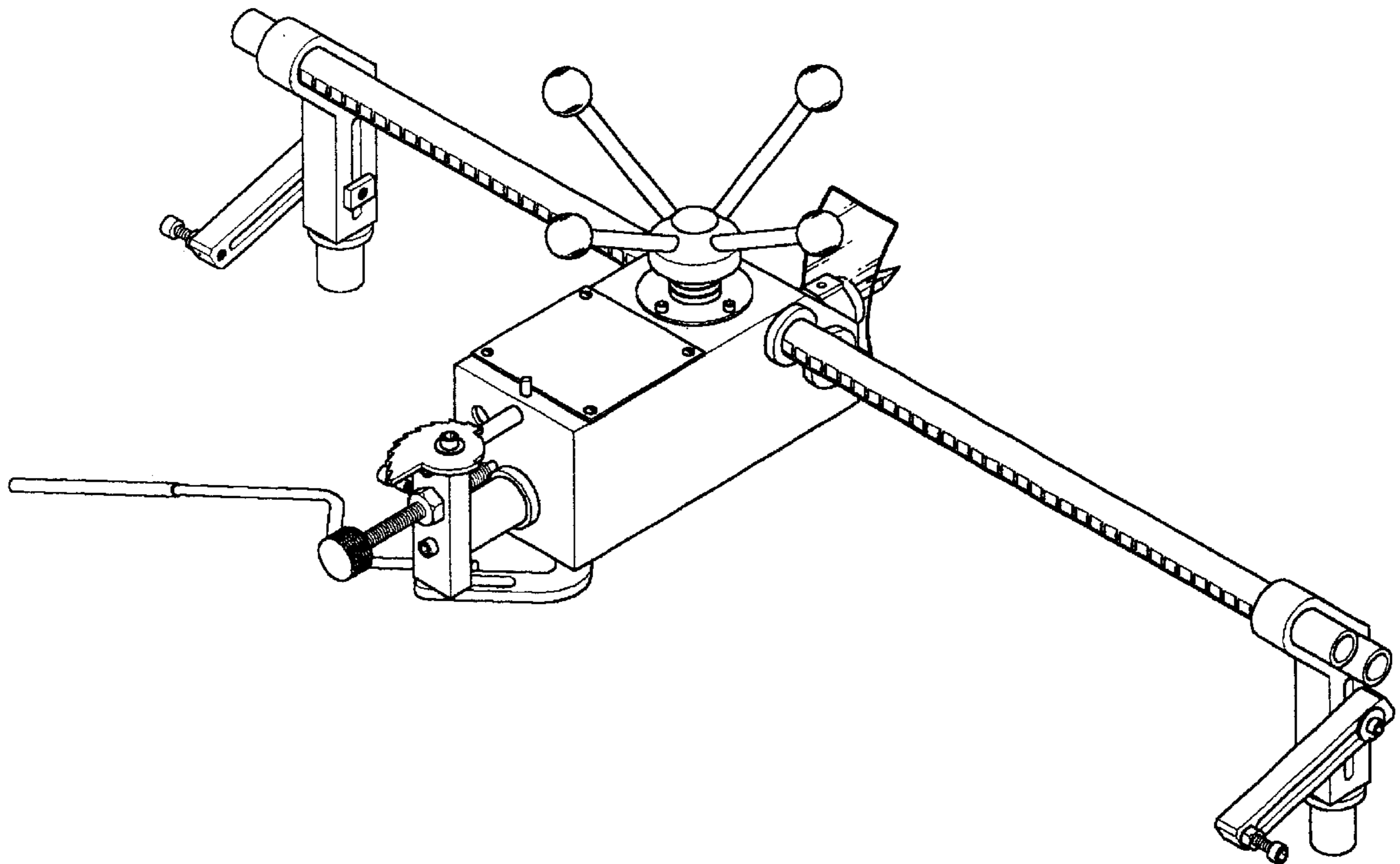
FIG. 4 is a left elevational view thereof;

FIG. 5 is a right elevational view thereof;

FIG. 6 is a top plan view thereof; and,

FIG. 7 is a bottom plan view thereof.

**1 Claim, 4 Drawing Sheets**



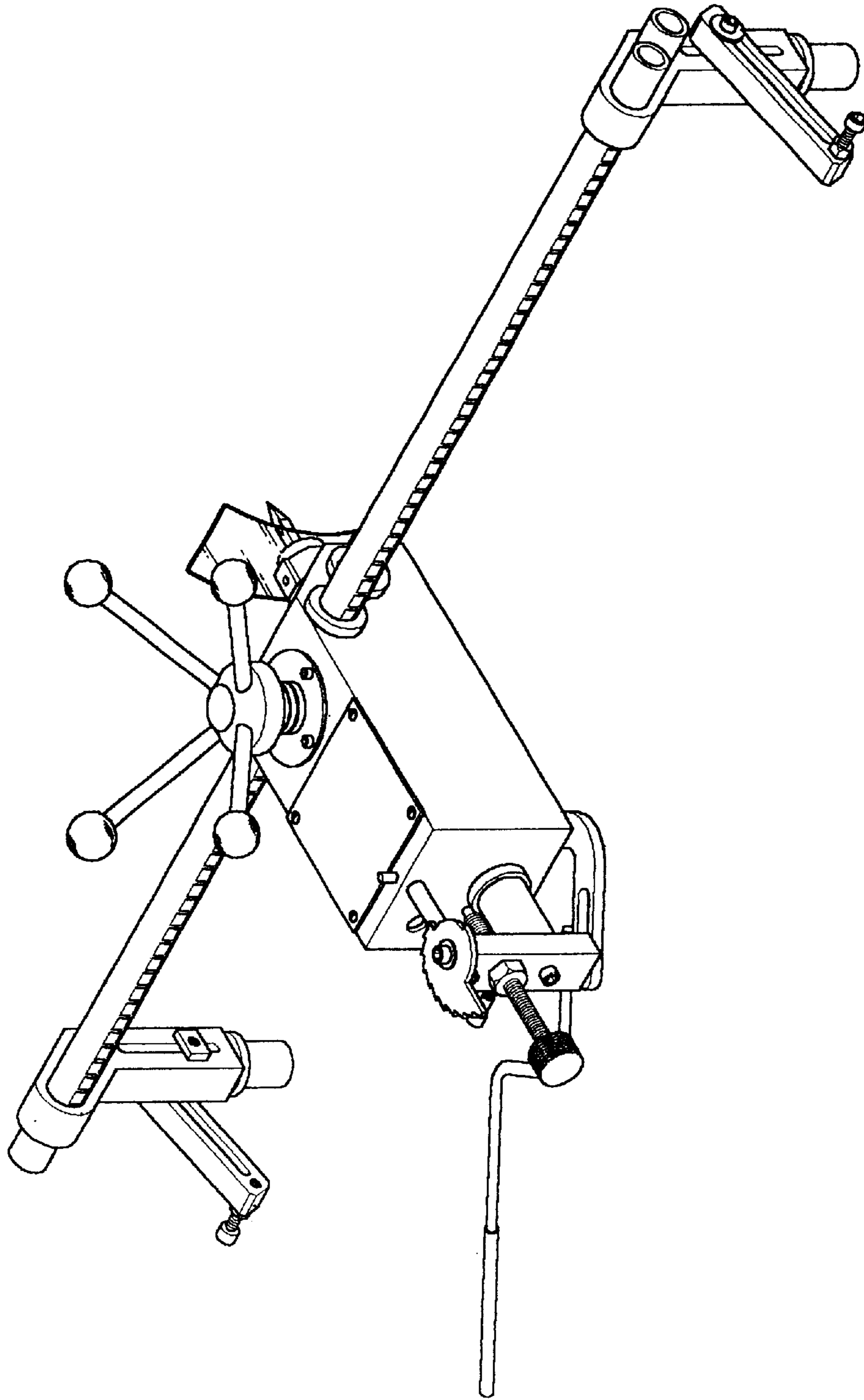
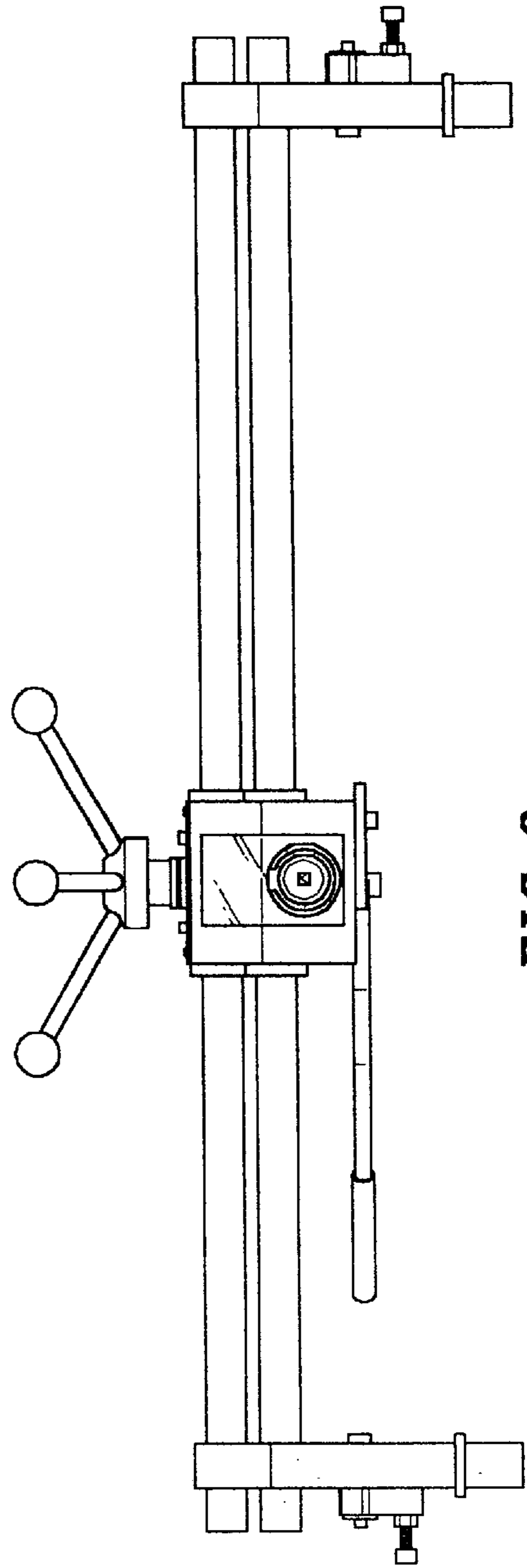
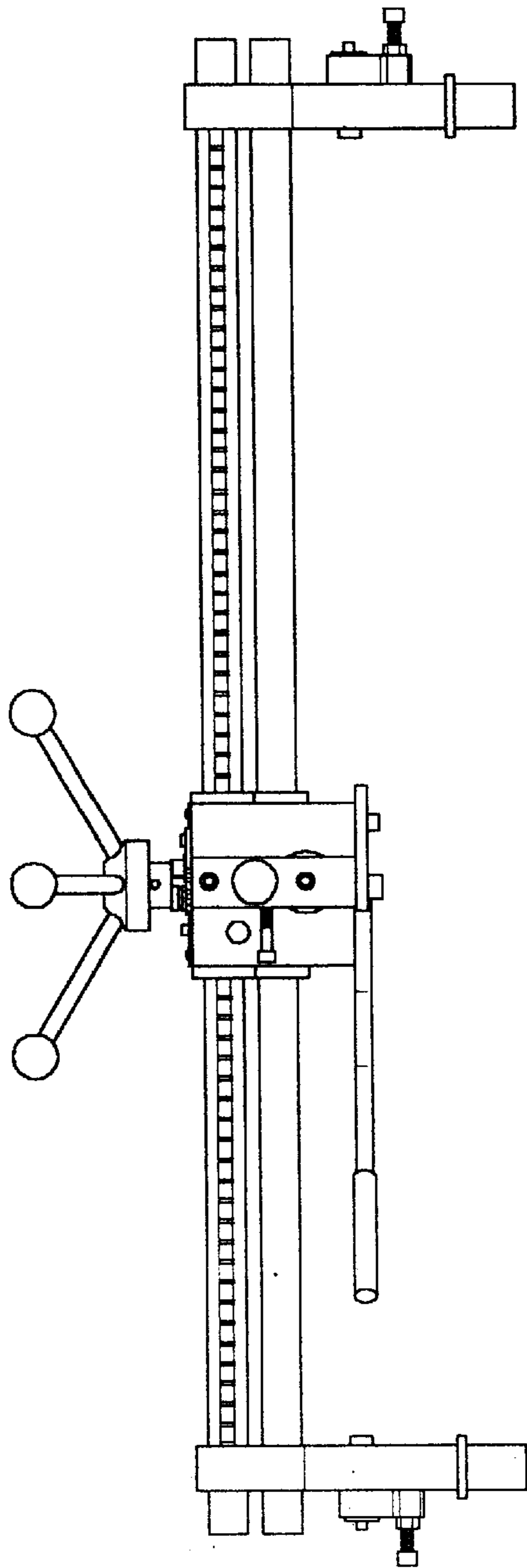


FIG. 1



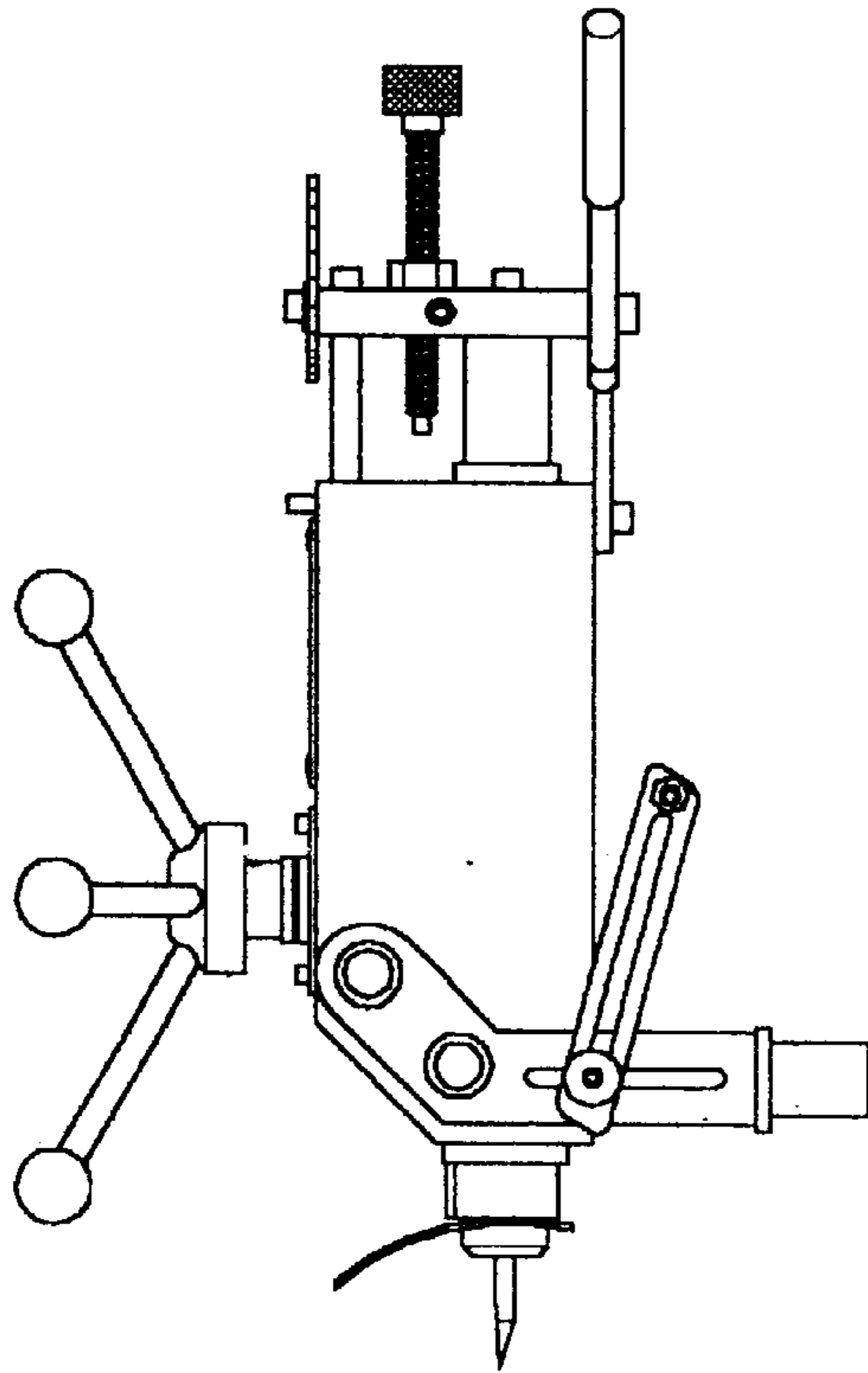


FIG. 4

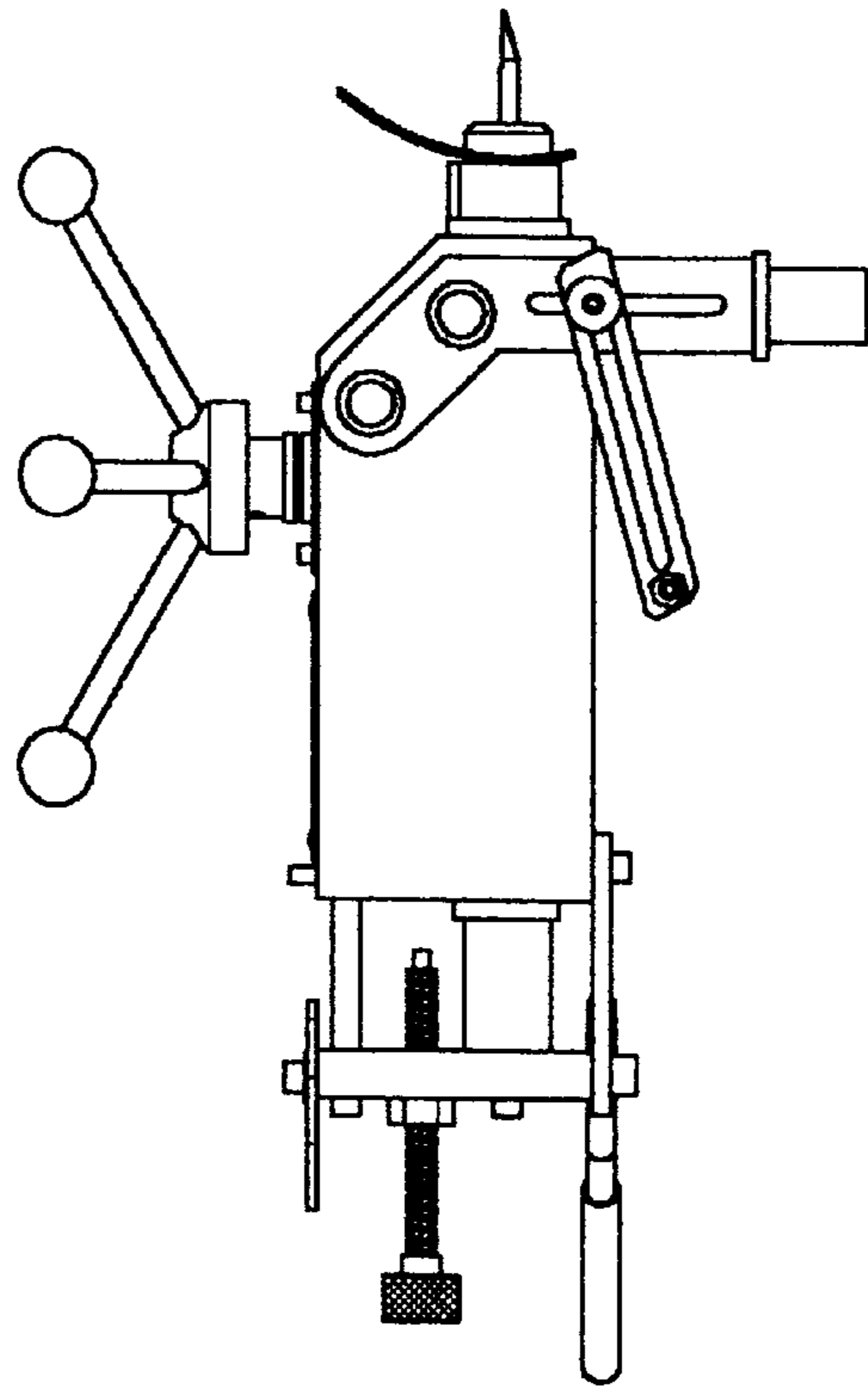


FIG. 5

