



US00D479723S

(12) **United States Design Patent**  
**Braun et al.**

(10) **Patent No.: US D479,723 S**  
(45) **Date of Patent: \*\* Sep. 16, 2003**

(54) **DRAWER FRONT**

(75) Inventors: **Joseph E. Braun**, Milwaukee, WI (US); **Michael J. Nickel**, Milwaukee, WI (US); **David H. Roland**, Cedarburg, WI (US); **Brett J. Vladika**, Milwaukee, WI (US)

(73) Assignee: **U-Line Corporation**, Milwaukee, WI (US)

(\*\*) Term: **14 Years**

(21) Appl. No.: **29/155,717**

(22) Filed: **Feb. 14, 2002**

(51) **LOC (7) Cl. .... 15-07**

(52) **U.S. Cl. .... D15/89**

(58) **Field of Search** ..... D15/79, 81, 85,  
D15/86, 88, 89; D8/313; 62/344.7, 382,  
401, 408; 312/35, 128, 132, 401, 404, 408,  
417

(56) **References Cited**

**U.S. PATENT DOCUMENTS**

2,306,802	A	*	12/1942	Harbison	.....	62/382
D182,558	S	*	4/1958	Willman	.....	D8/313
4,960,308	A	*	10/1990	Donaghy	.....	312/404
D358,403	S	*	5/1995	Edman et al.	.....	D15/89
D384,681	S	*	10/1997	Martin	.....	D15/89
D451,936	S	*	12/2001	Ma et al.	.....	D15/85

**OTHER PUBLICATIONS**

U-LINE CORPORATION, Ice Makers product brochure, Aug. 1998, Milwaukee, Wisconsin, USA.

U-LINE CORPORATION, Product Brochure, Jun. 2000, Milwaukee, Wisconsin, USA.

\* cited by examiner

*Primary Examiner*—Mitchell Siegel

(74) *Attorney, Agent, or Firm*—Quarles & Brady, LLP

(57) **CLAIM**

The ornamental design for a drawer front, as shown and described.

**DESCRIPTION**

FIG. 1 is a perspective view of a drawer showing my new design;

FIG. 2 is a front elevational view thereof;

FIG. 3 is a right side elevational view thereof, the left side elevational view being a mirror image of the right side;

FIG. 4 is a top elevational view thereof;

FIG. 5 is a back elevational view thereof; and

FIG. 6 is a bottom elevational view thereof.

FIG. 7 is a perspective view of a drawer front showing a second embodiment of my new design;

FIG. 8 is a front elevational view thereof;

FIG. 9 is a right side elevational view thereof, the left side elevational view being a mirror image of the right side;

FIG. 10 is a top elevational view thereof;

FIG. 11 is a back elevational view thereof; and

FIG. 12 is a bottom elevational view thereof.

FIG. 13 is a perspective view of a drawer front showing a third embodiment of my new design;

FIG. 14 is a front elevational view thereof;

FIG. 15 is a right side elevational view thereof, the left side elevational view being a mirror image of the right side;

FIG. 16 is a top elevational view thereof;

FIG. 17 is a back elevational view thereof; and

FIG. 18 is a bottom elevational view thereof.

FIG. 19 is a perspective view of a drawer front showing a fourth embodiment of my new design;

FIG. 20 is a front elevational view thereof;

FIG. 21 is a right side elevational view thereof, the left side elevational view being a mirror image of the right side;

FIG. 22 is a top elevational view thereof;

FIG. 23 is a back elevational view thereof; and,

FIG. 24 is a bottom elevational view thereof.

The broken line representations in the figures do not limit the claimed design.

**1 Claim, 8 Drawing Sheets**

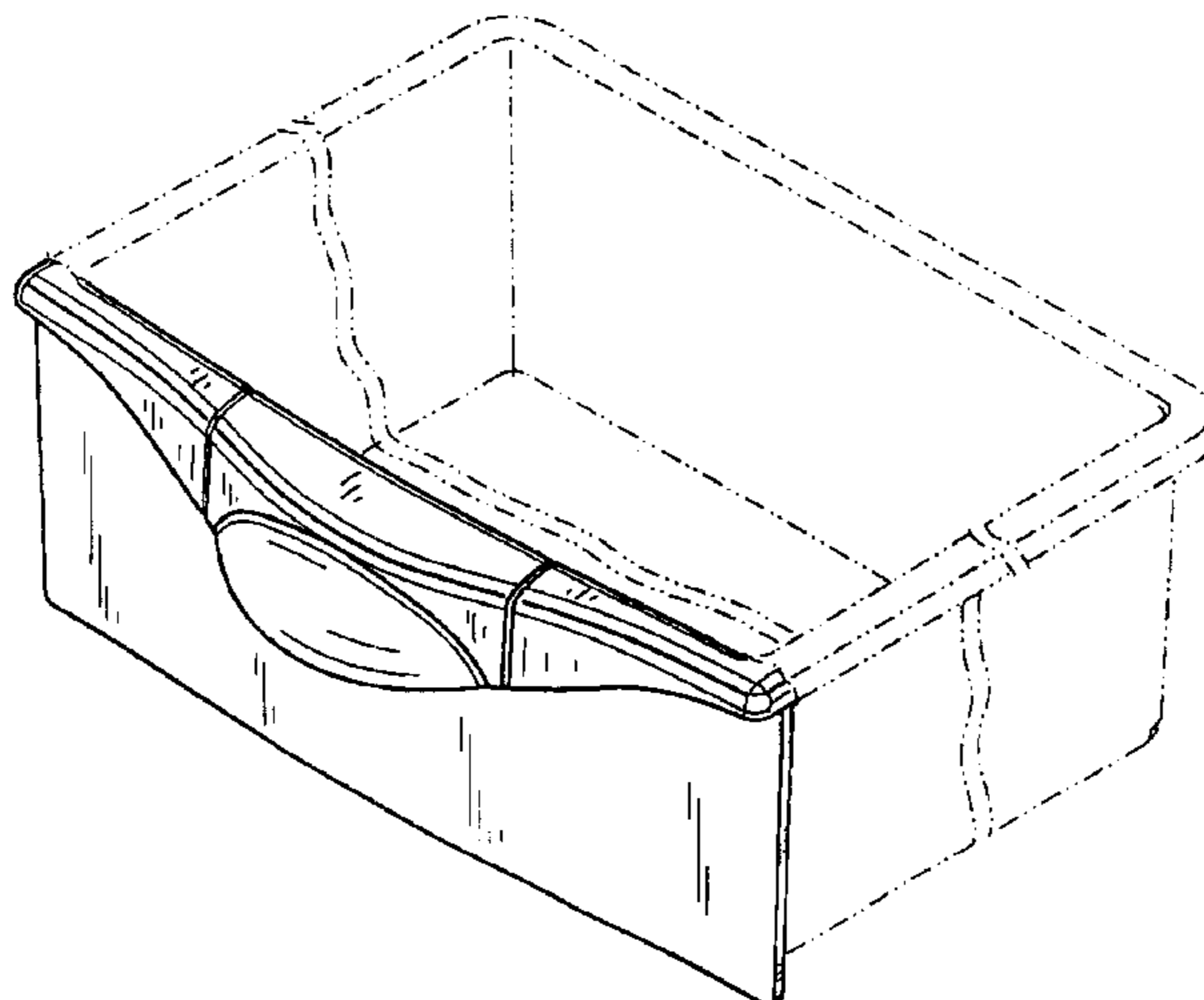


FIG. 1

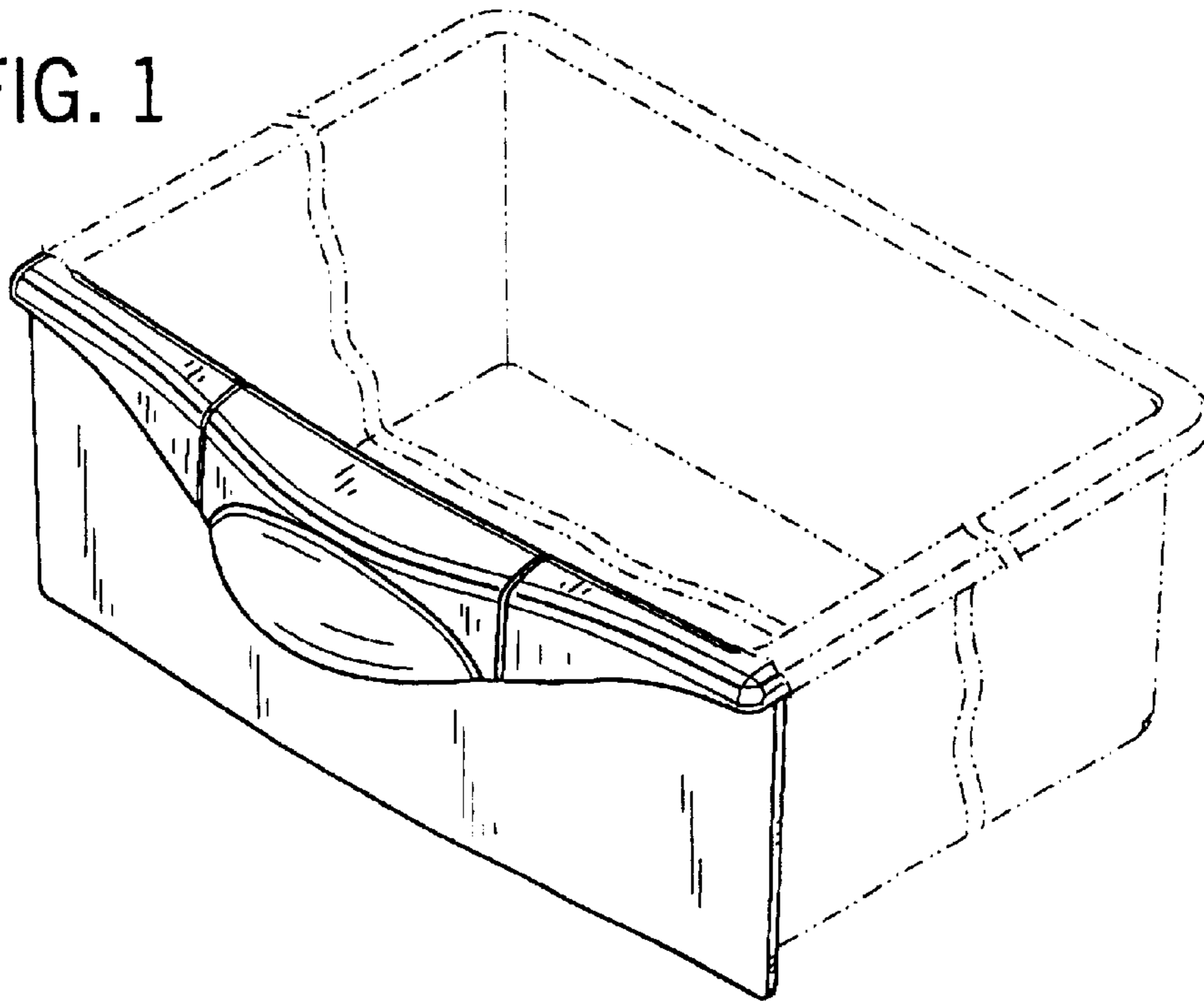


FIG. 2

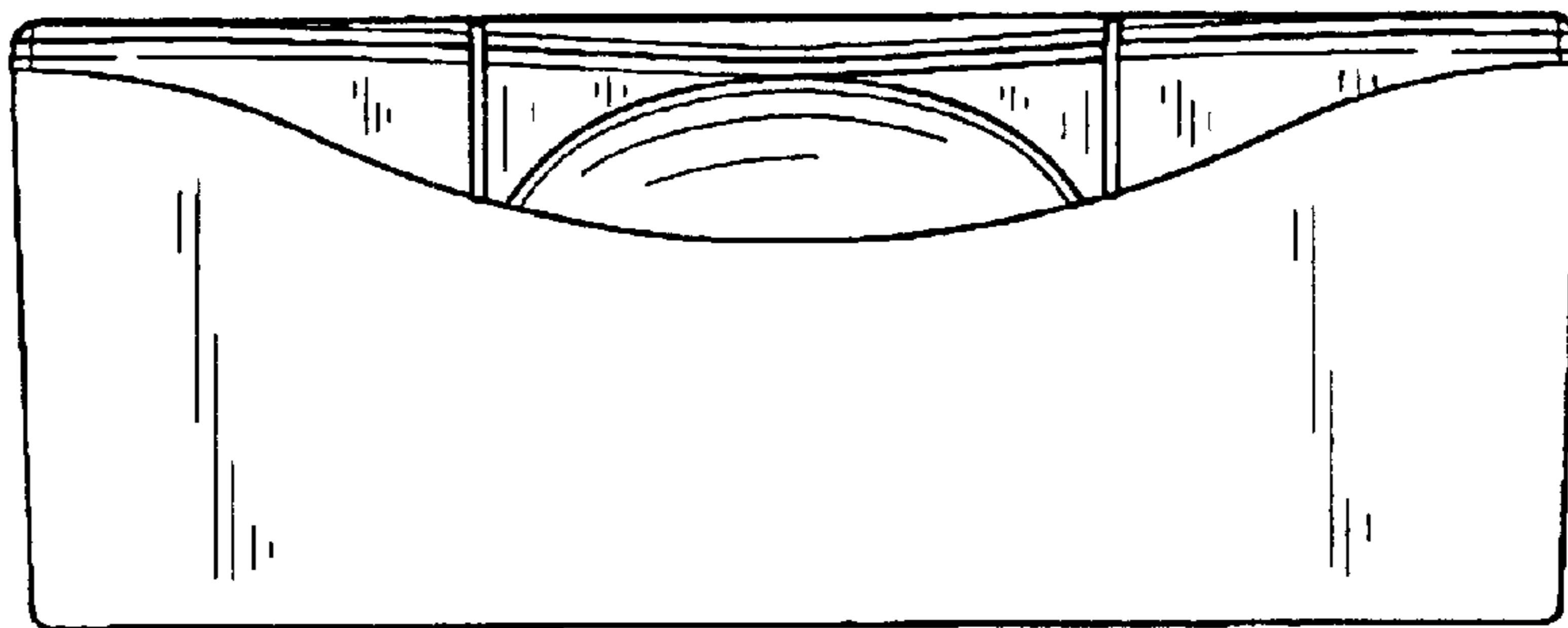


FIG. 3

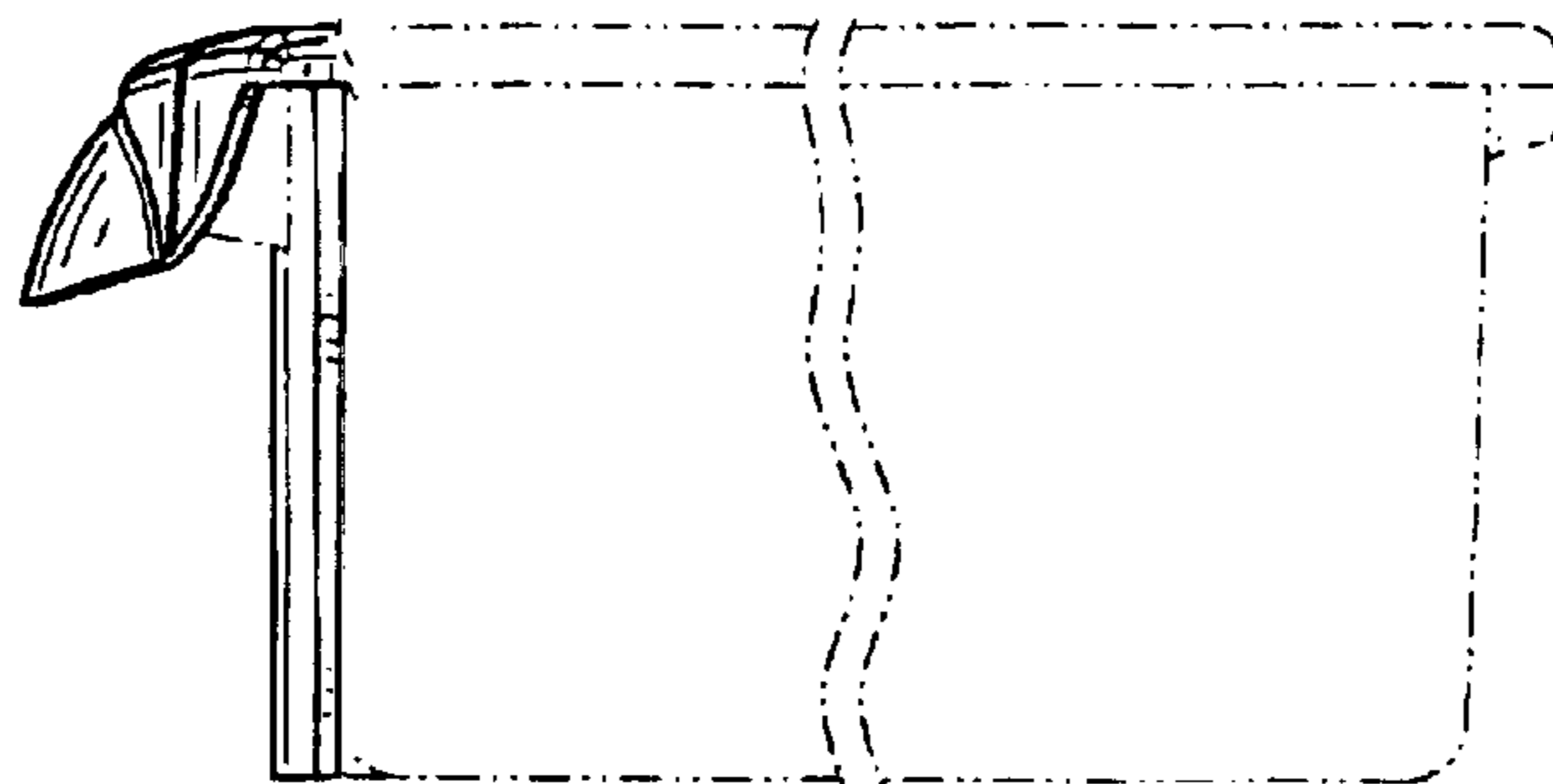


FIG. 4

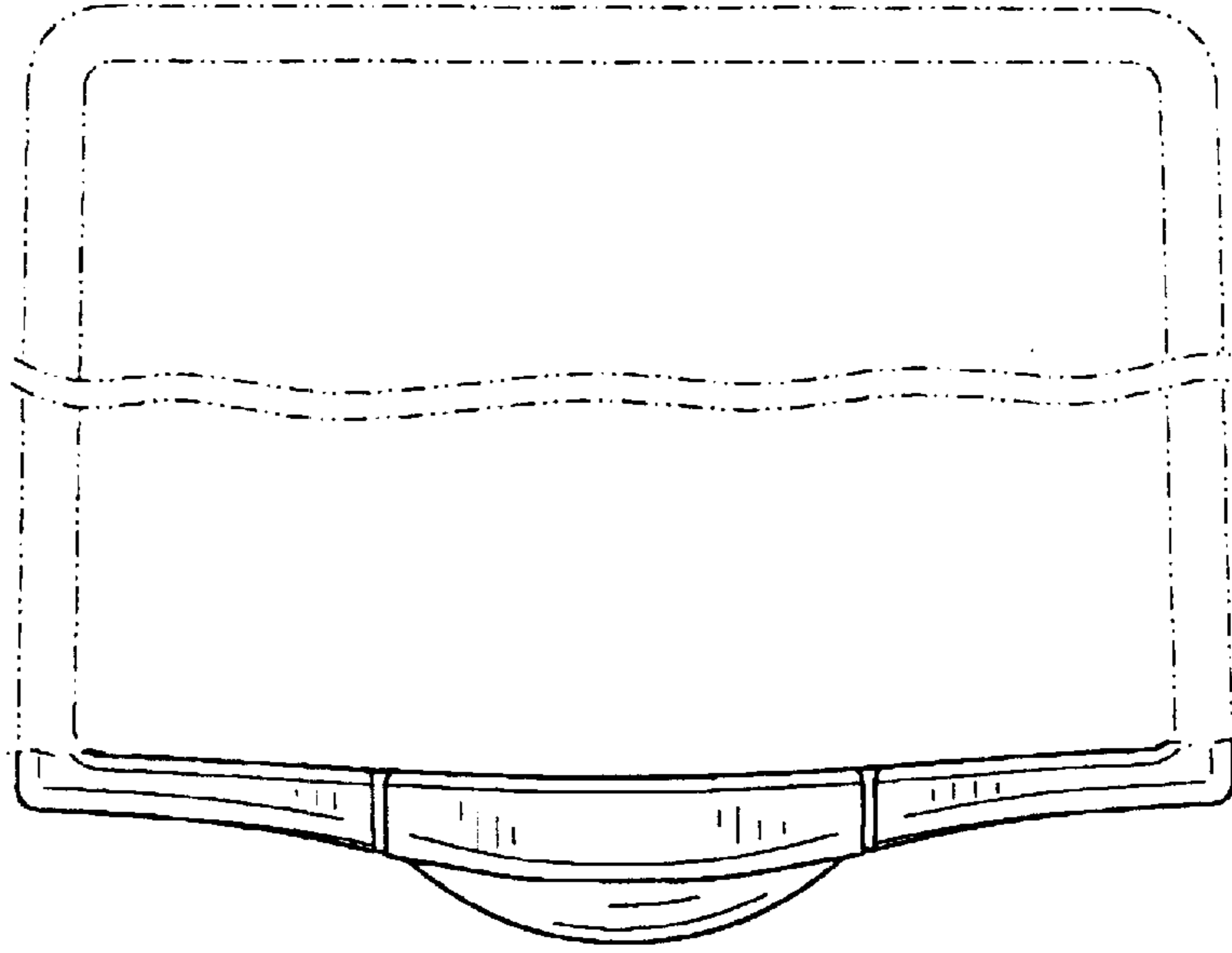


FIG. 5

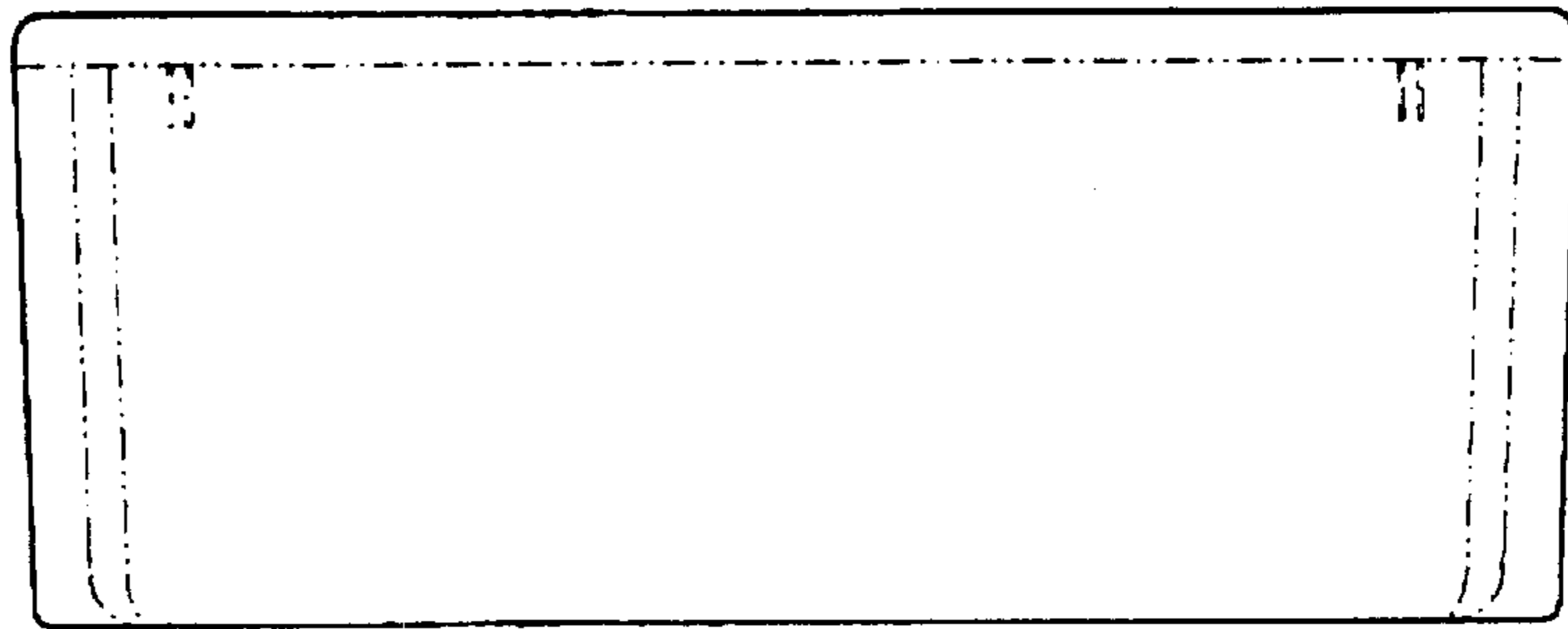


FIG. 6

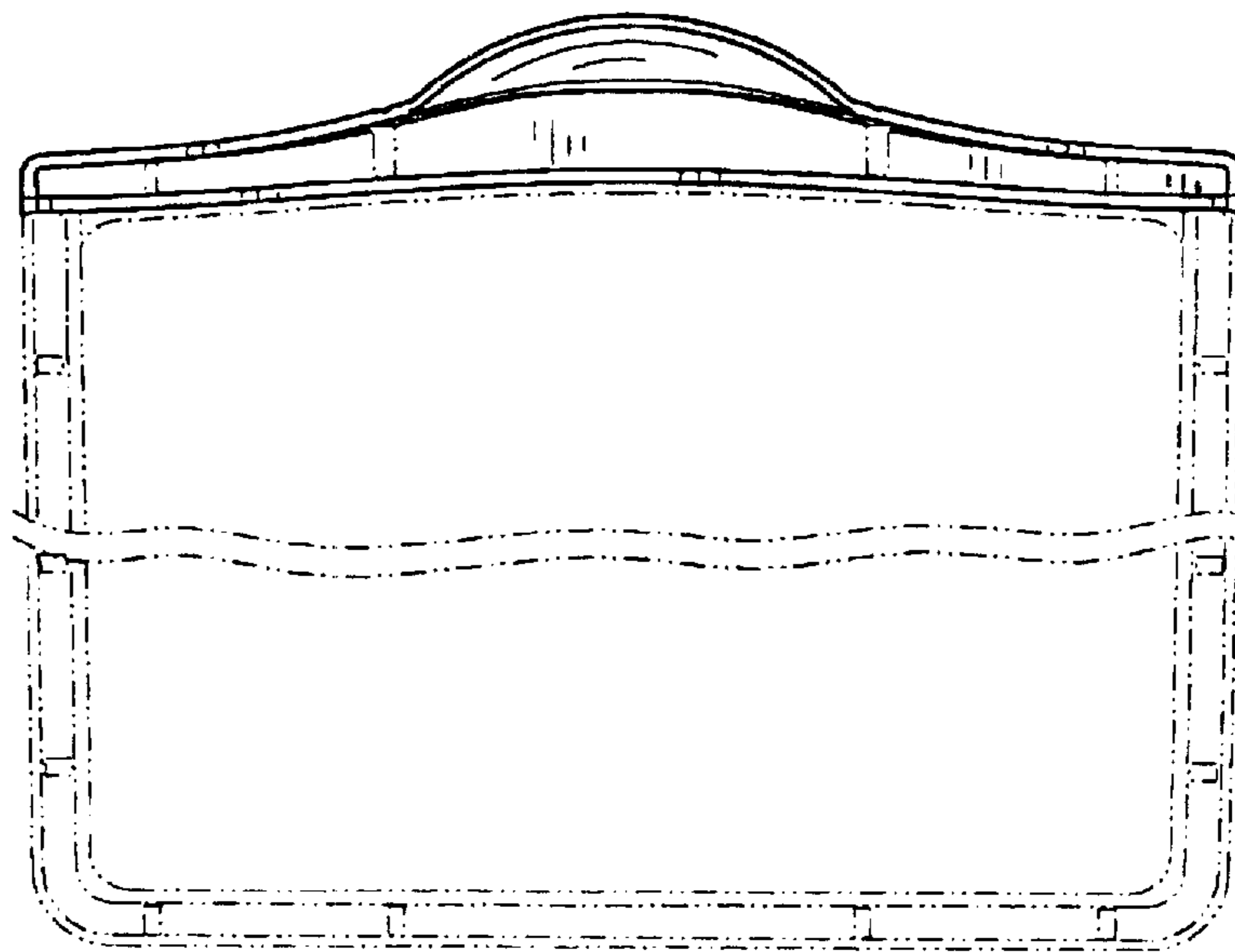


FIG. 7

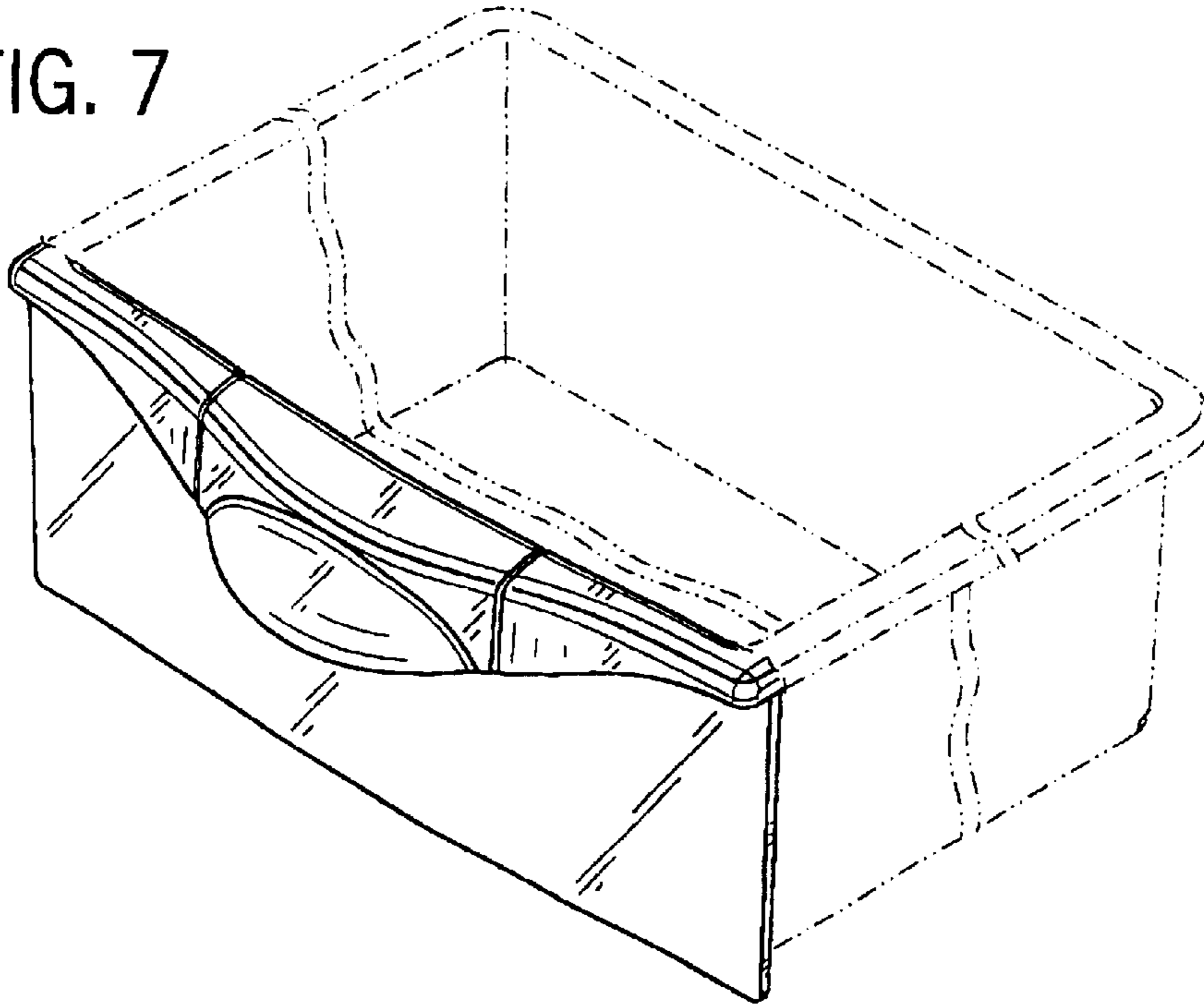


FIG. 8

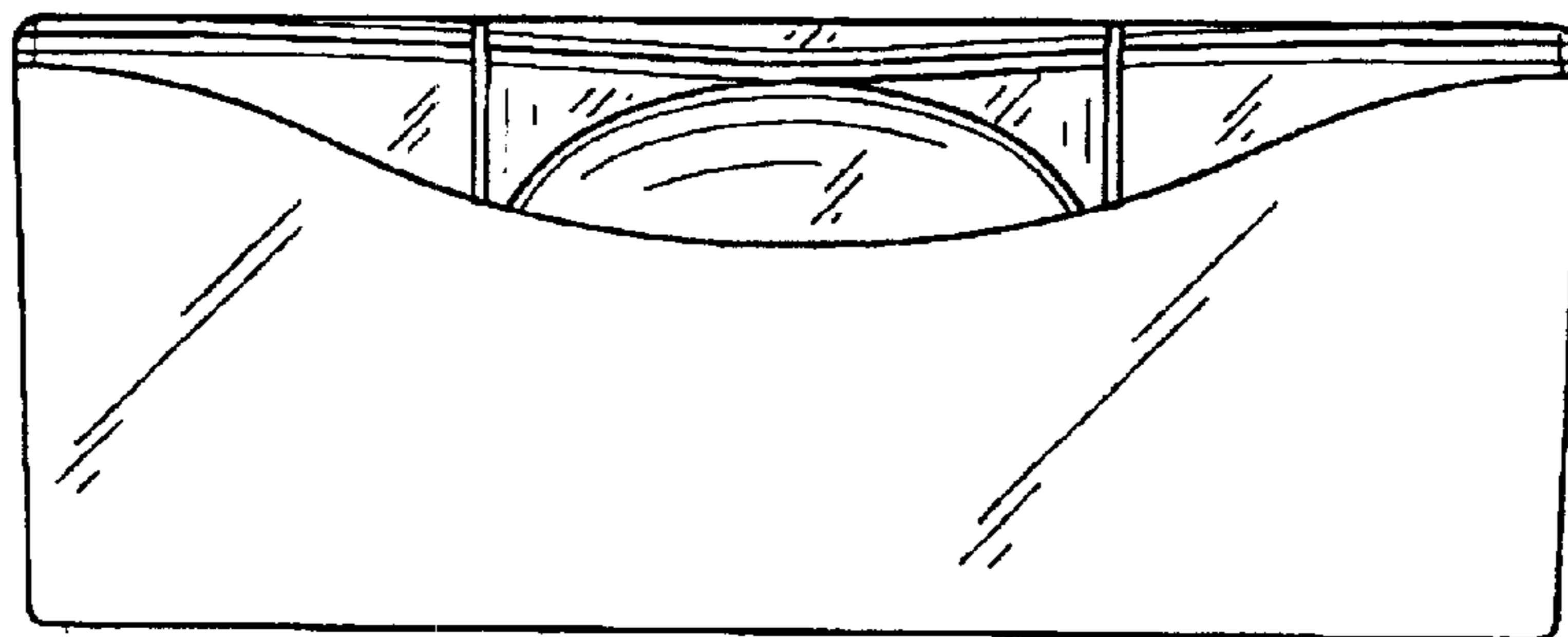


FIG. 9

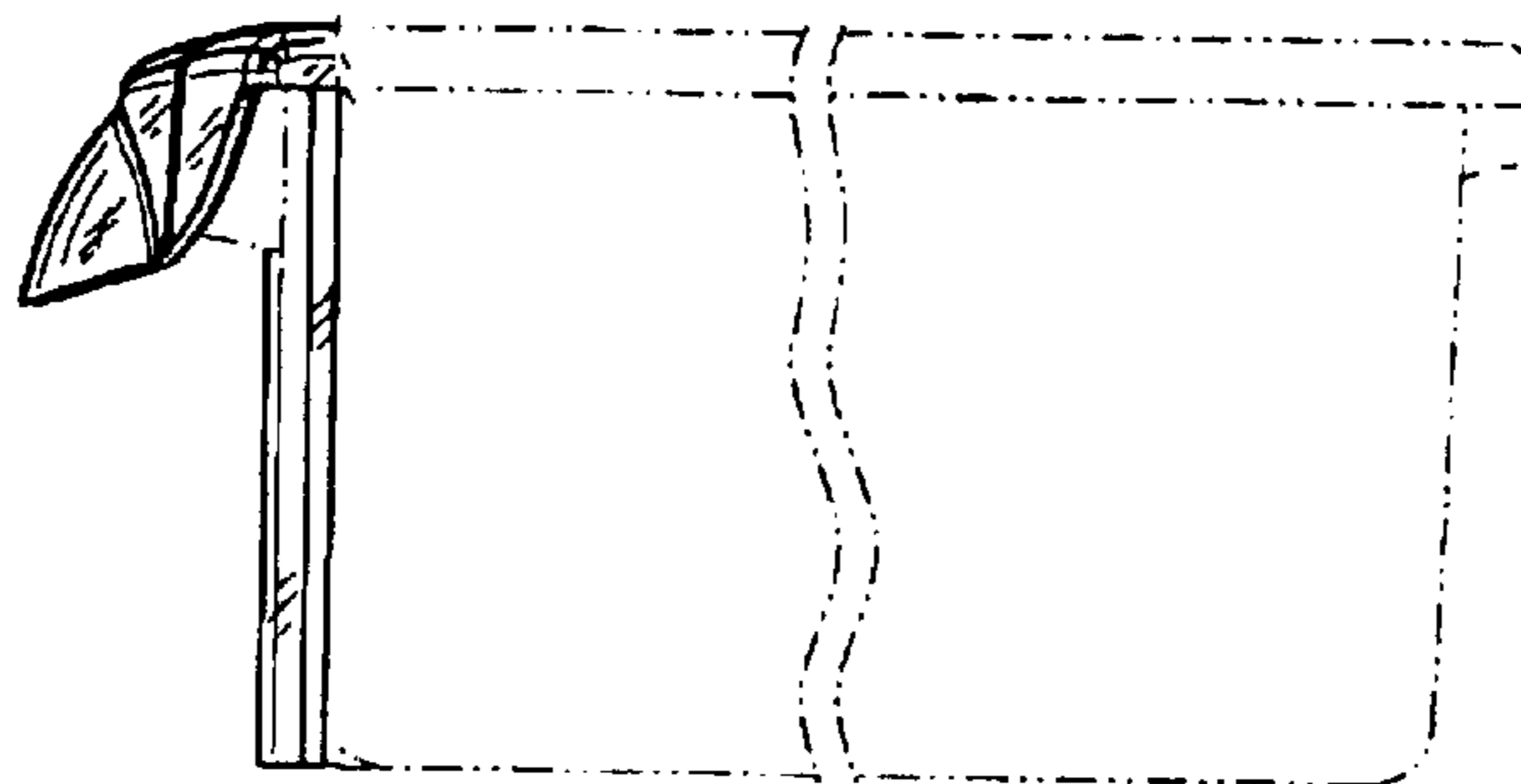


FIG. 10

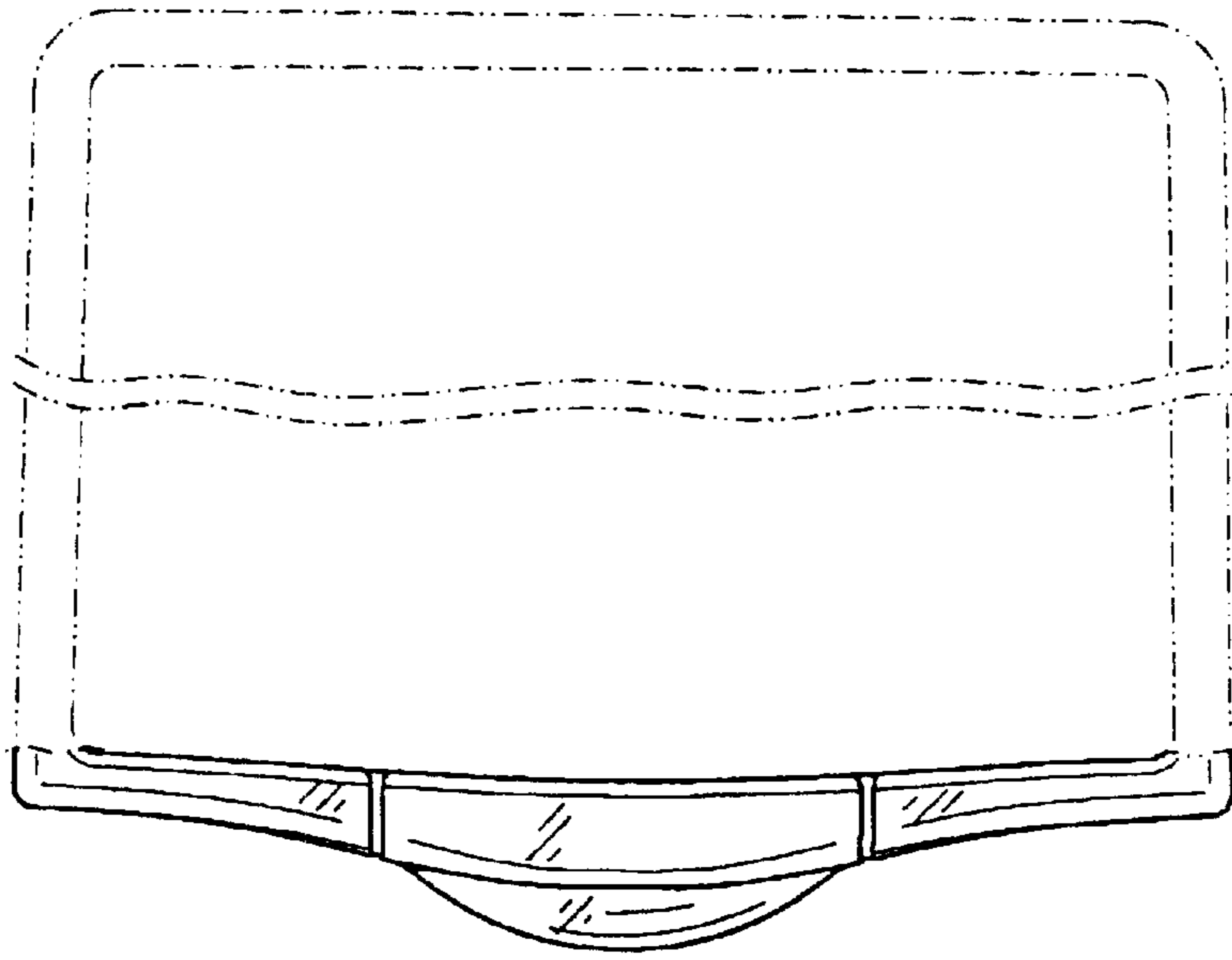


FIG. 11

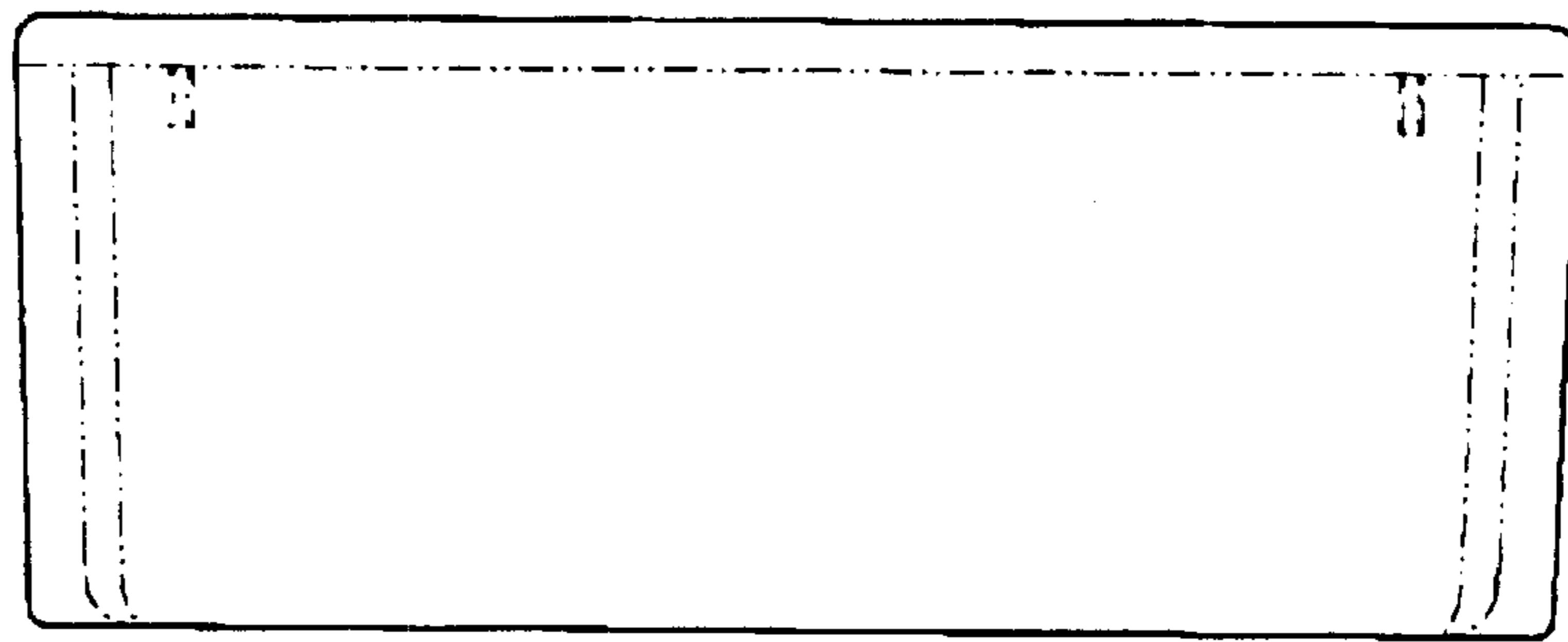
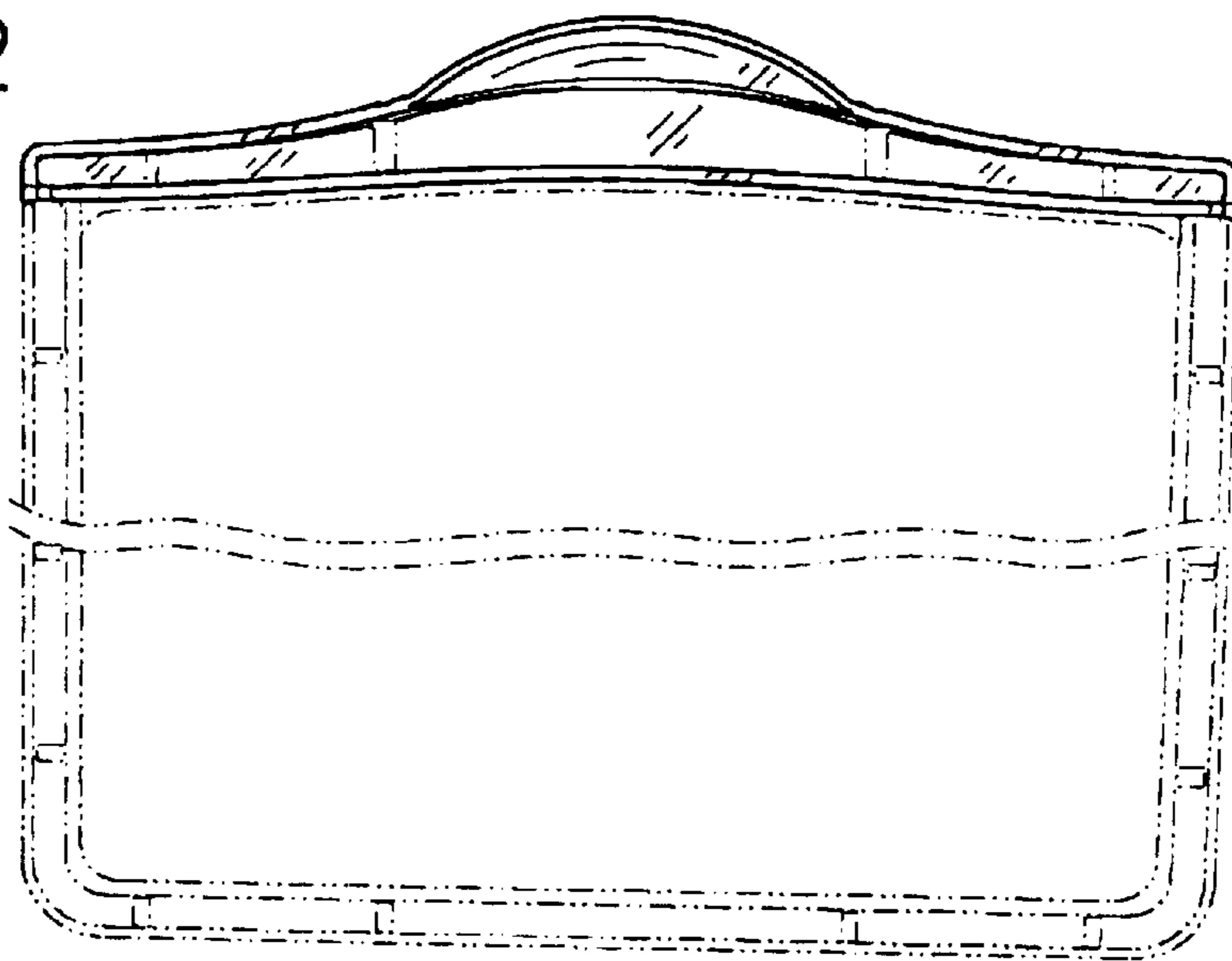


FIG. 12



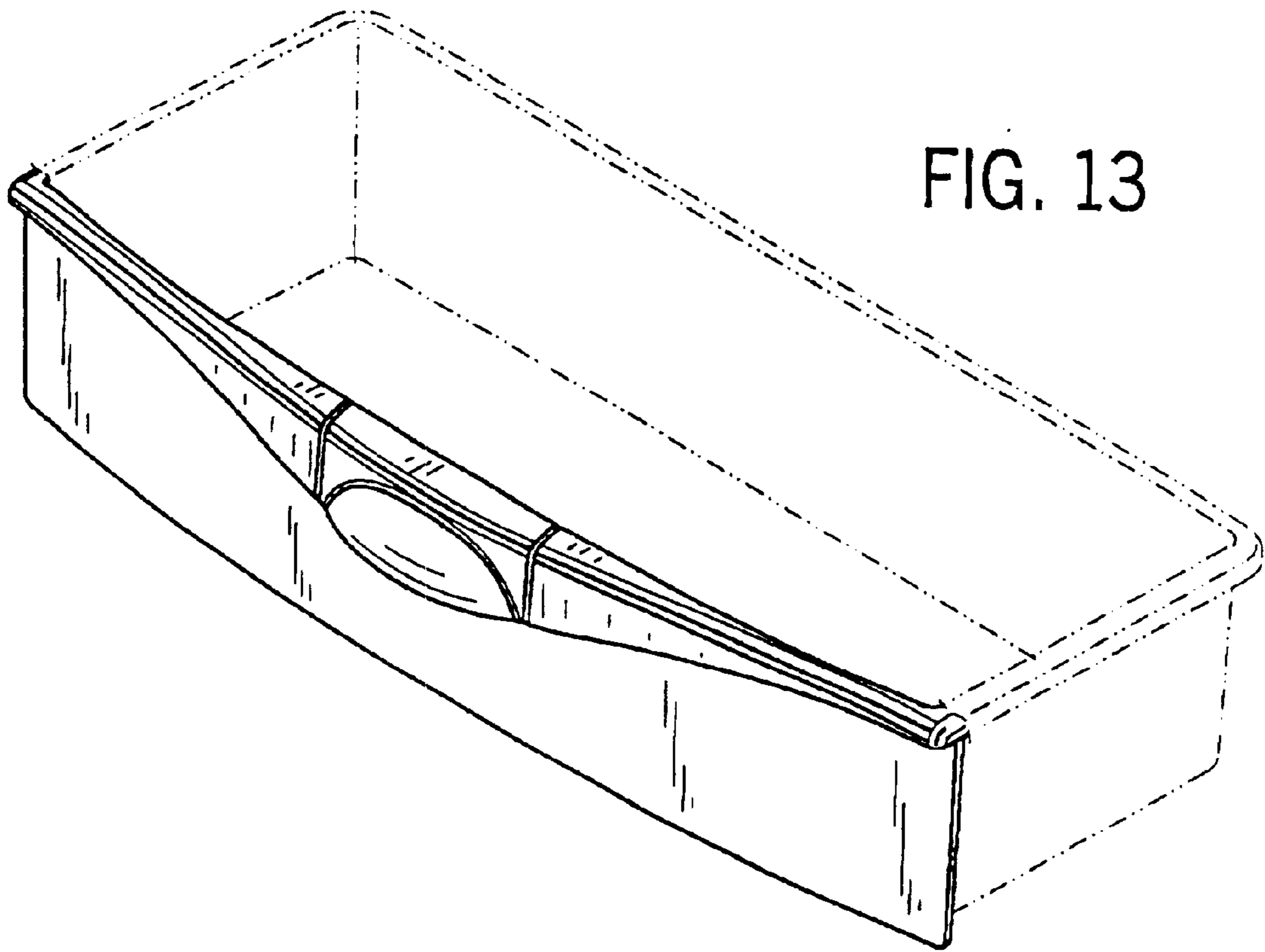


FIG. 13

FIG. 14

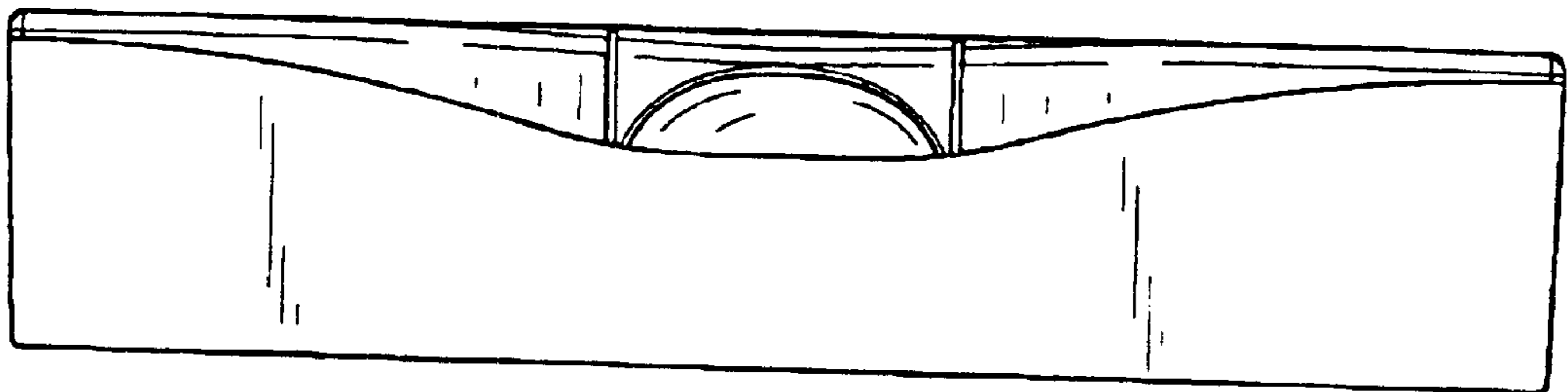


FIG. 15

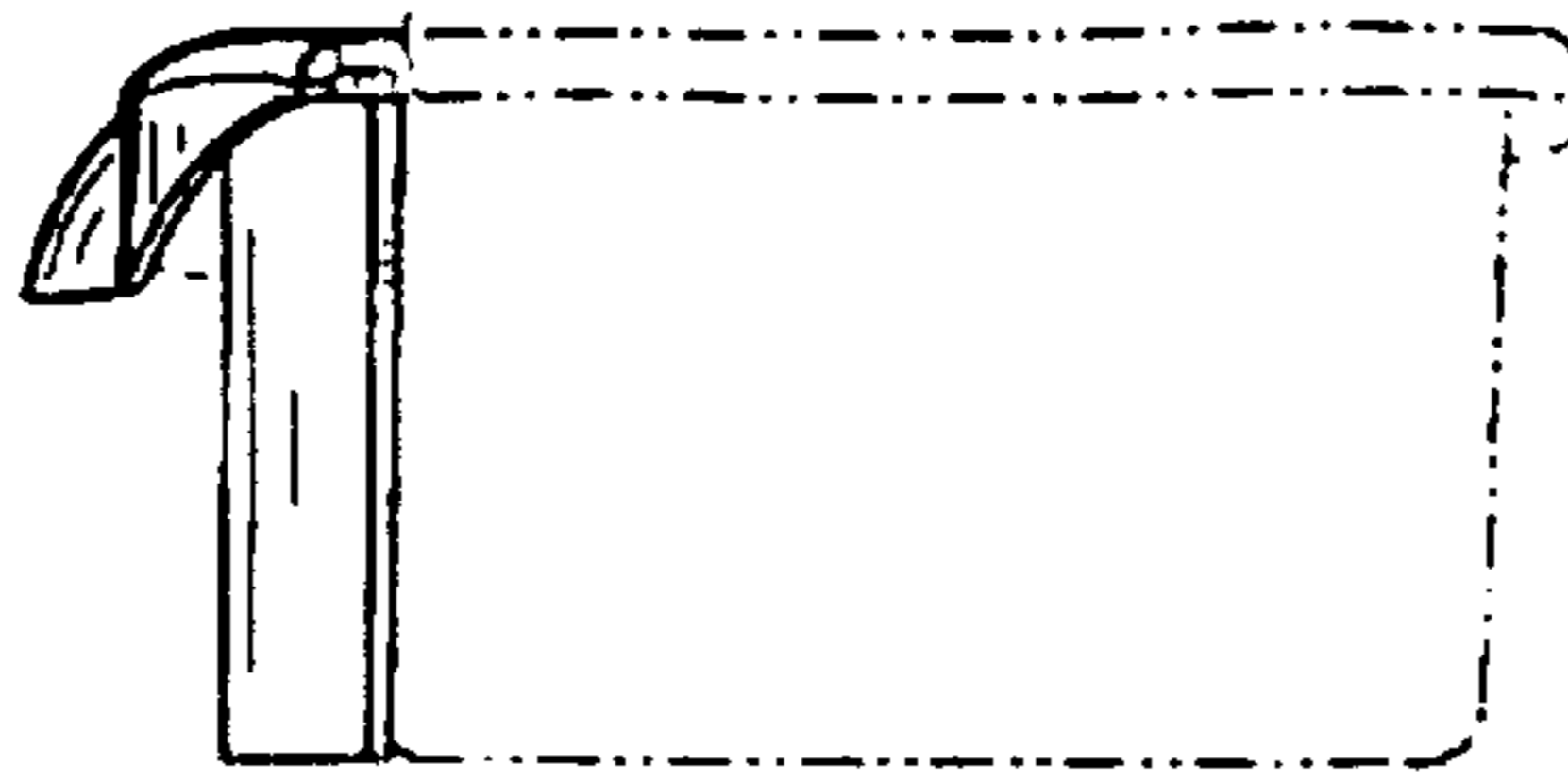


FIG. 16

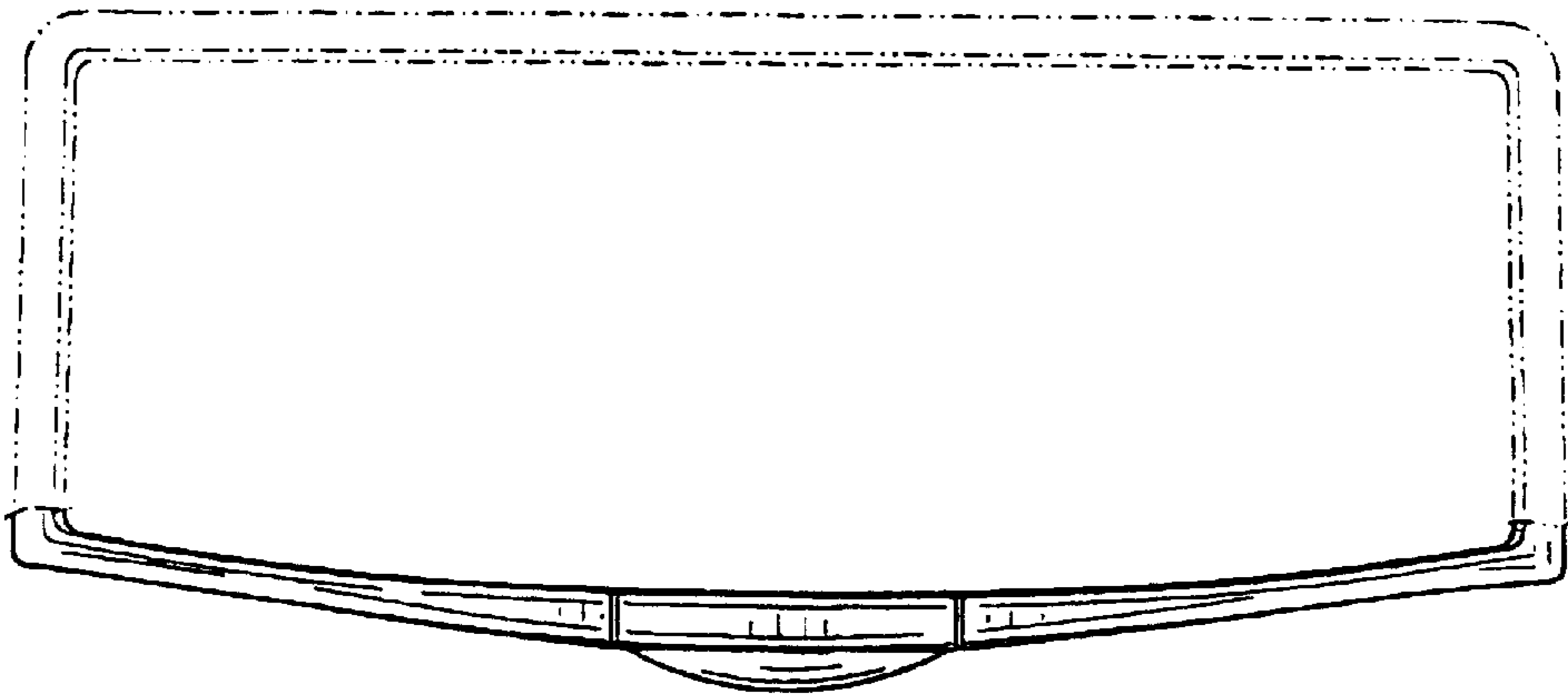


FIG. 17

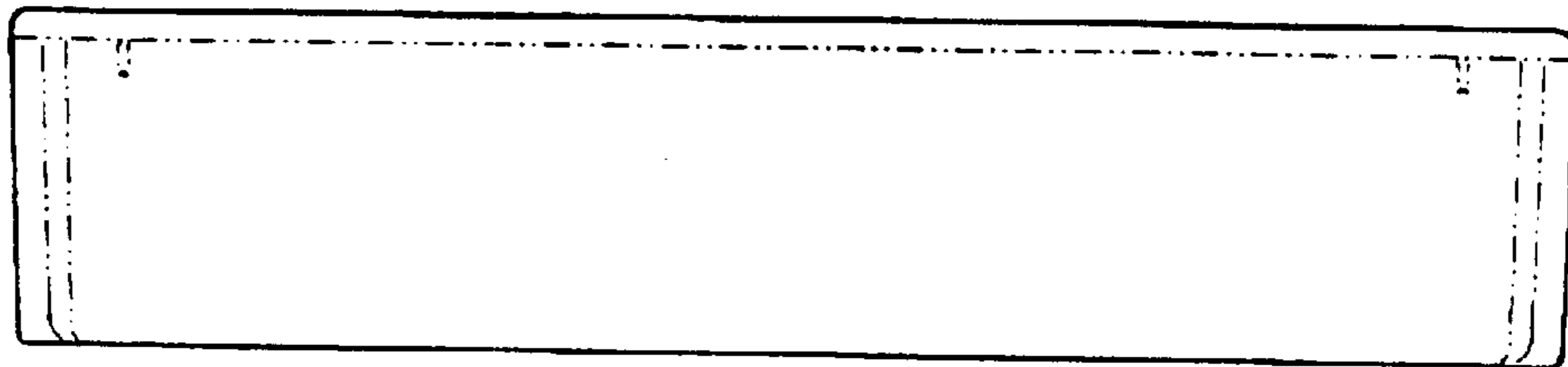
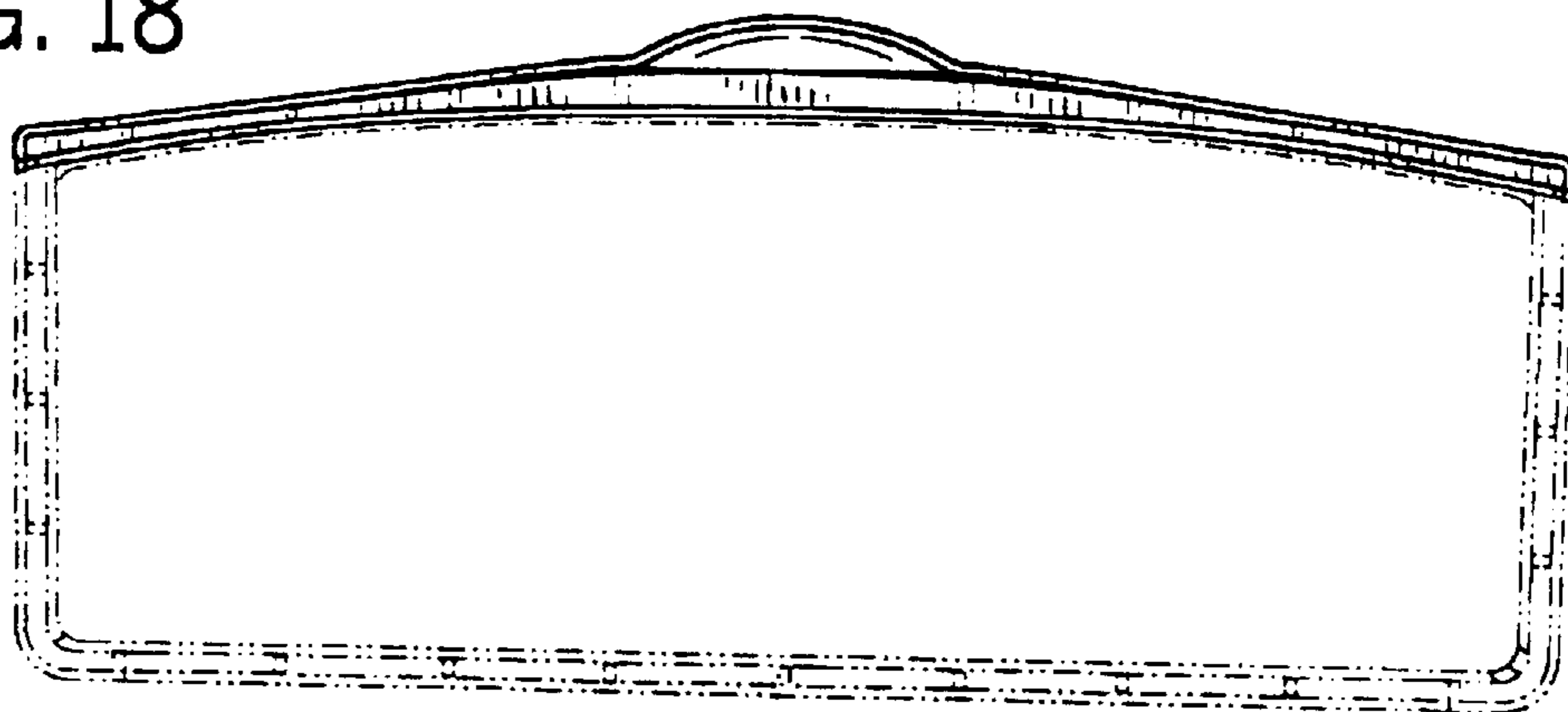


FIG. 18



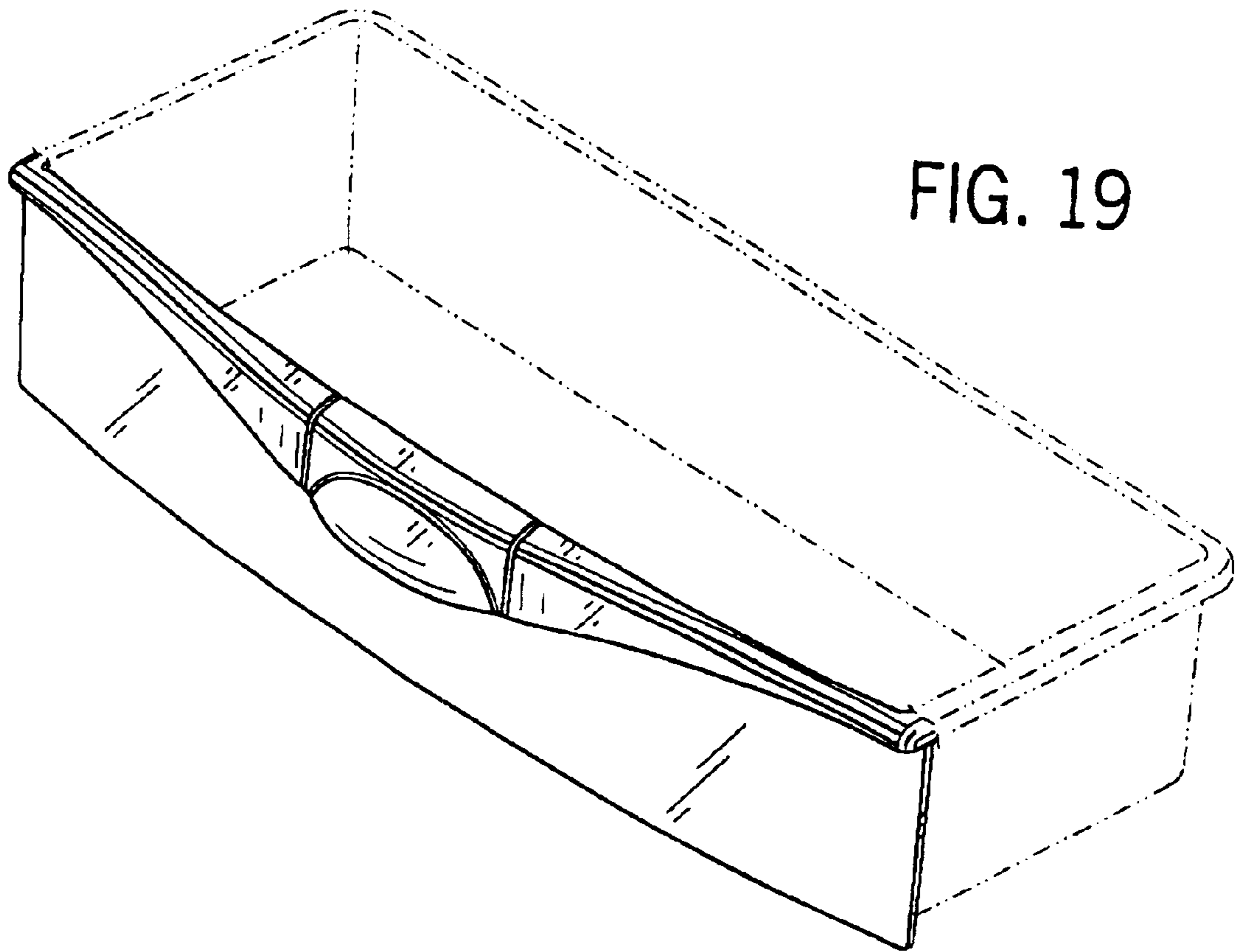


FIG. 19

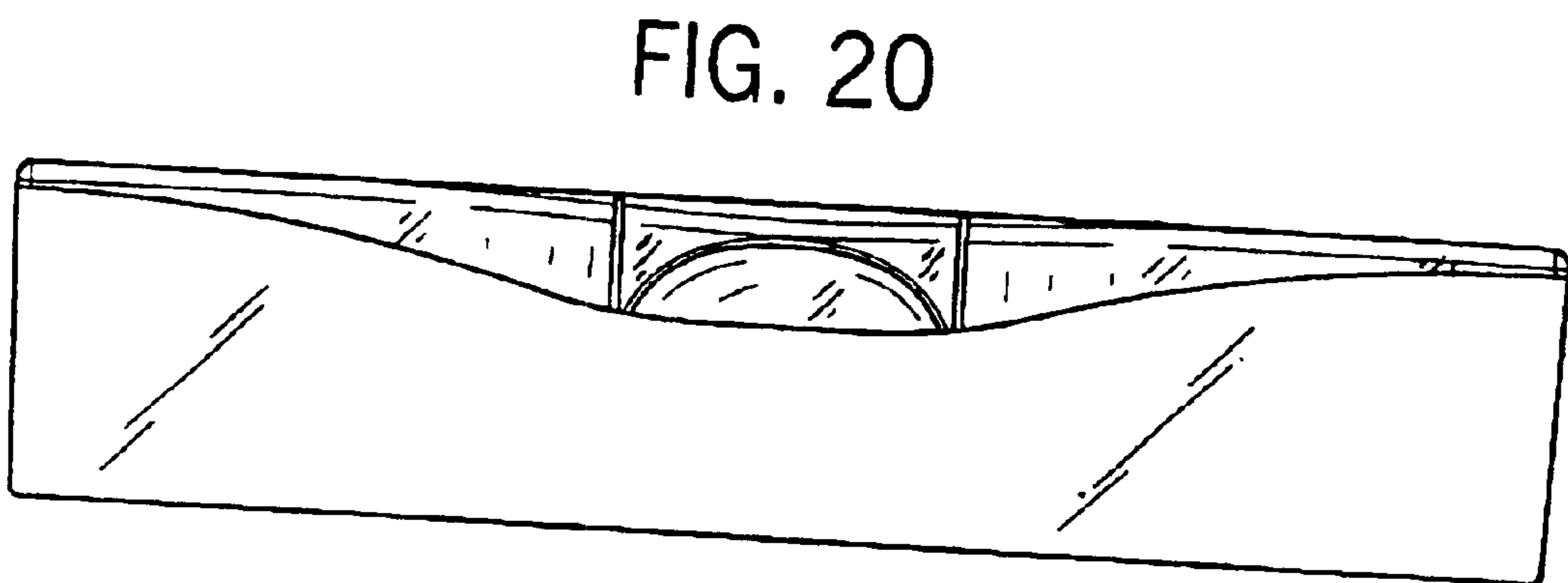


FIG. 20



FIG. 21

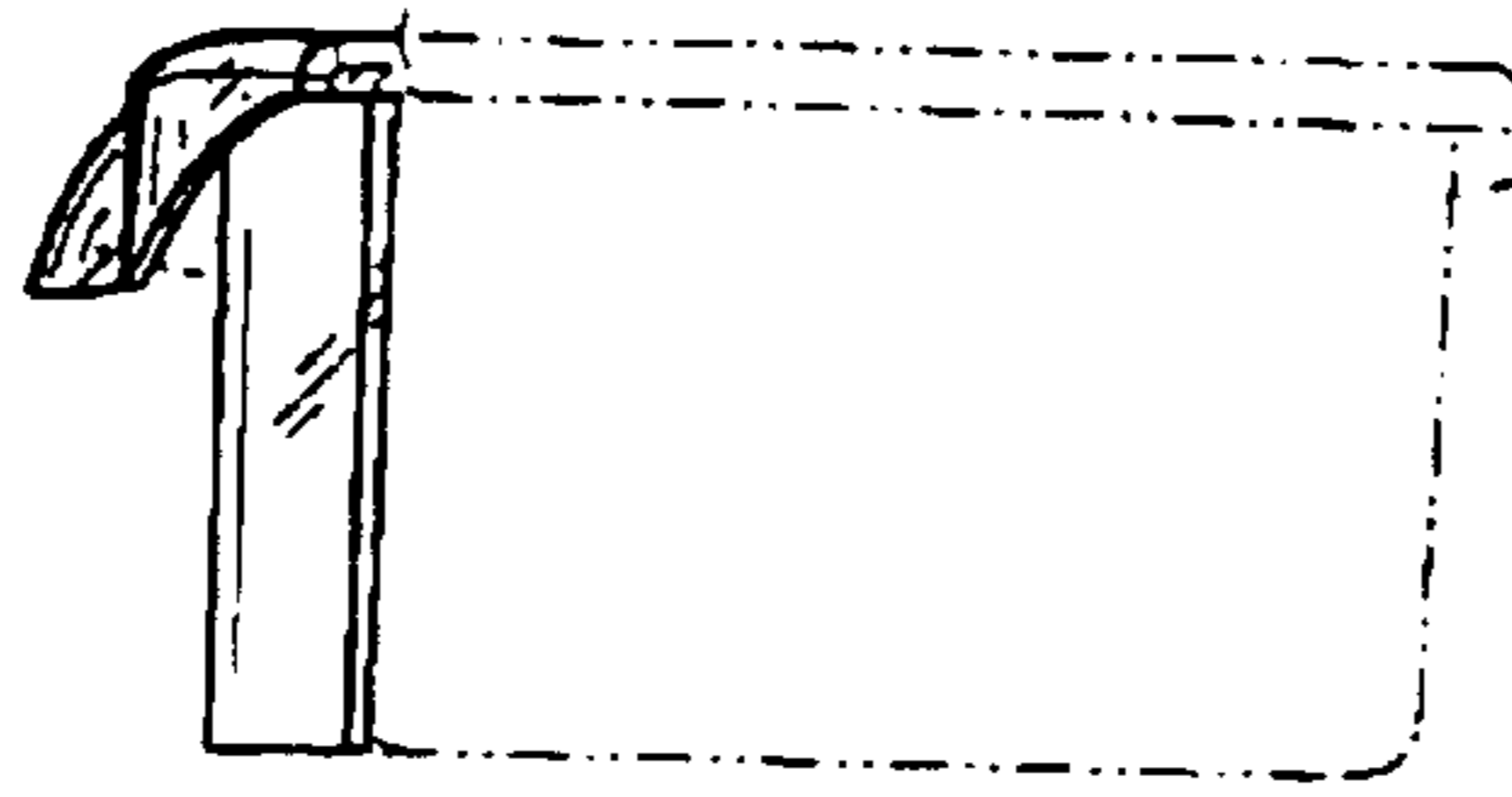


FIG. 22

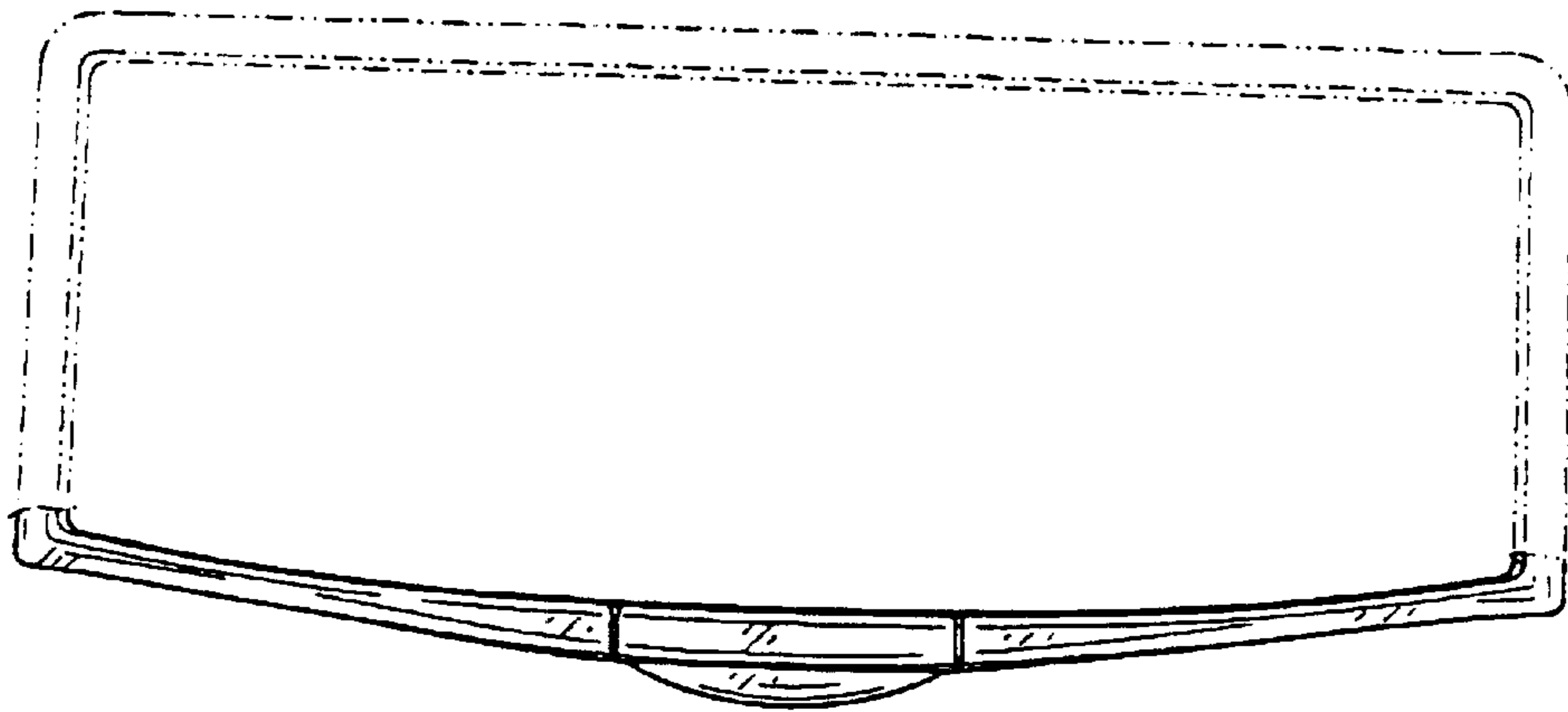


FIG. 23

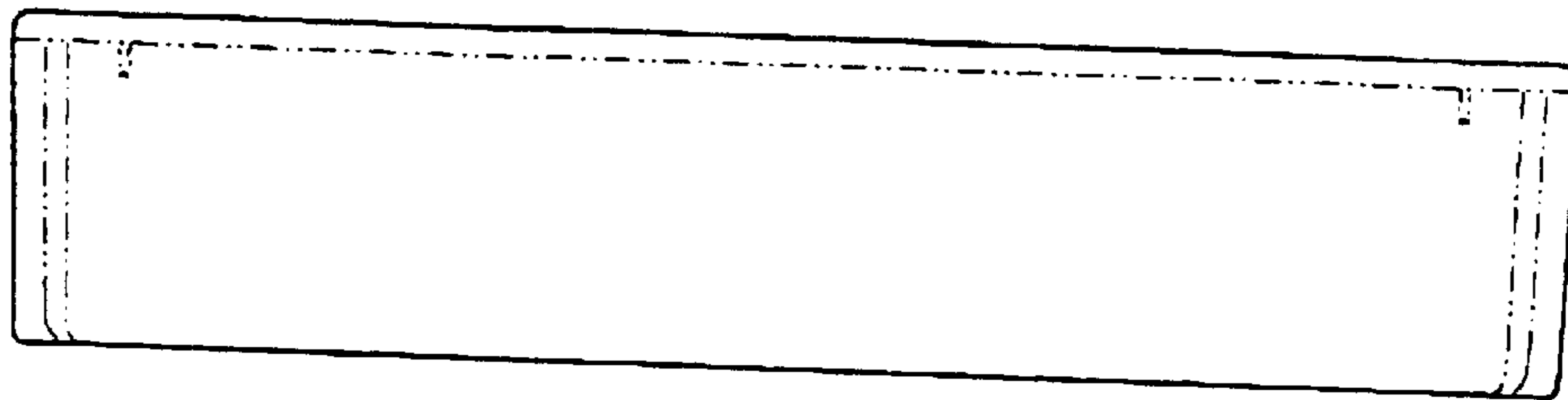


FIG. 24

