



US00D479722S

(12) **United States Design Patent**
Poon

(10) **Patent No.:** **US D479,722 S**

(45) **Date of Patent:** **** Sep. 16, 2003**

(54) **AIR PUMP**

(75) **Inventor:** **Tit Wing Poon, Shatin (CN)**

(73) **Assignee:** **Flying Dragon Development Ltd.,
Shatin (CN)**

(**) **Term:** **14 Years**

(21) **Appl. No.:** **29/156,078**

(22) **Filed:** **Feb. 22, 2002**

(30) **Foreign Application Priority Data**

Aug. 24, 2001 (CN) 111280

(51) **LOC (7) Cl.** **15-02**

(52) **U.S. Cl.** **D15/7**

(58) **Field of Search** D15/7-9; 417/423.14,
417/411, 415, 234, 410.3, 410.5, 360, 423.3,
69, 267, 410.4

(56) **References Cited**

U.S. PATENT DOCUMENTS

D339,143 S * 9/1993 Whitley, II D15/7

D352,947 S * 11/1994 Colin et al. D15/7

D435,049 S * 12/2000 Tsai D15/7

D445,804 S * 7/2001 Tsai D15/7

D450,011 S * 11/2001 Fan D11/156

D453,342 S * 2/2002 Wu D15/7

* cited by examiner

Primary Examiner—Ralf Seifert

(74) *Attorney, Agent, or Firm*—Alix, Yale & Ristas, LLP

(57) **CLAIM**

The ornamental design for an air pump, as shown and described.

DESCRIPTION

FIG. 1 is a front perspective view of the air pump showing my new design;

FIG. 2 is a front view of the air pump of FIG. 1;

FIG. 3 is a top plan view of the air pump of FIG. 1;

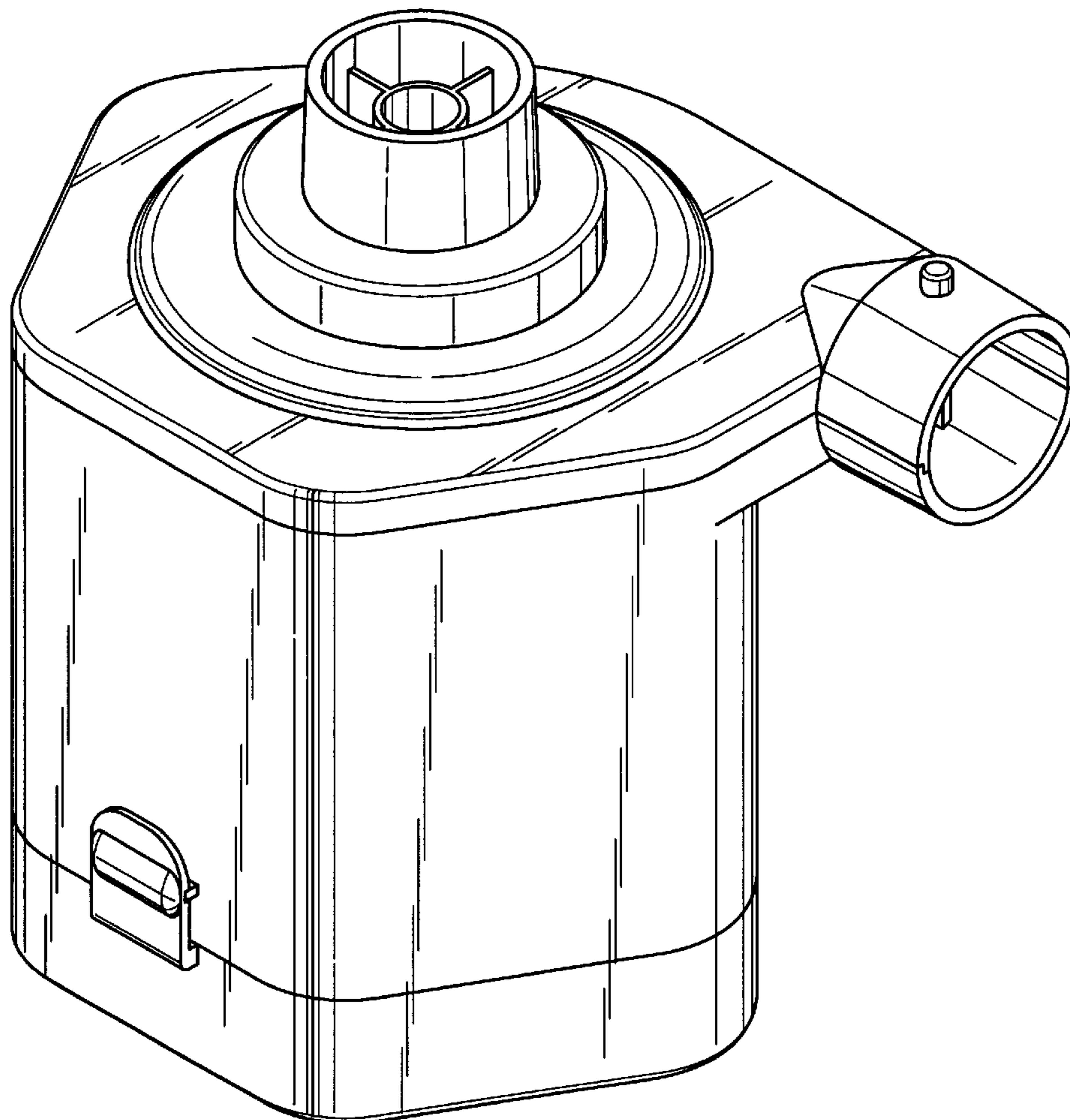
FIG. 4 is a right side view of the air pump of FIG. 1;

FIG. 5 is a left side view of the air pump of FIG. 1;

FIG. 6 is a rear view of the air pump of FIG. 1; and,

FIG. 7 is a bottom plan view of the air pump of FIG. 1.

1 Claim, 5 Drawing Sheets



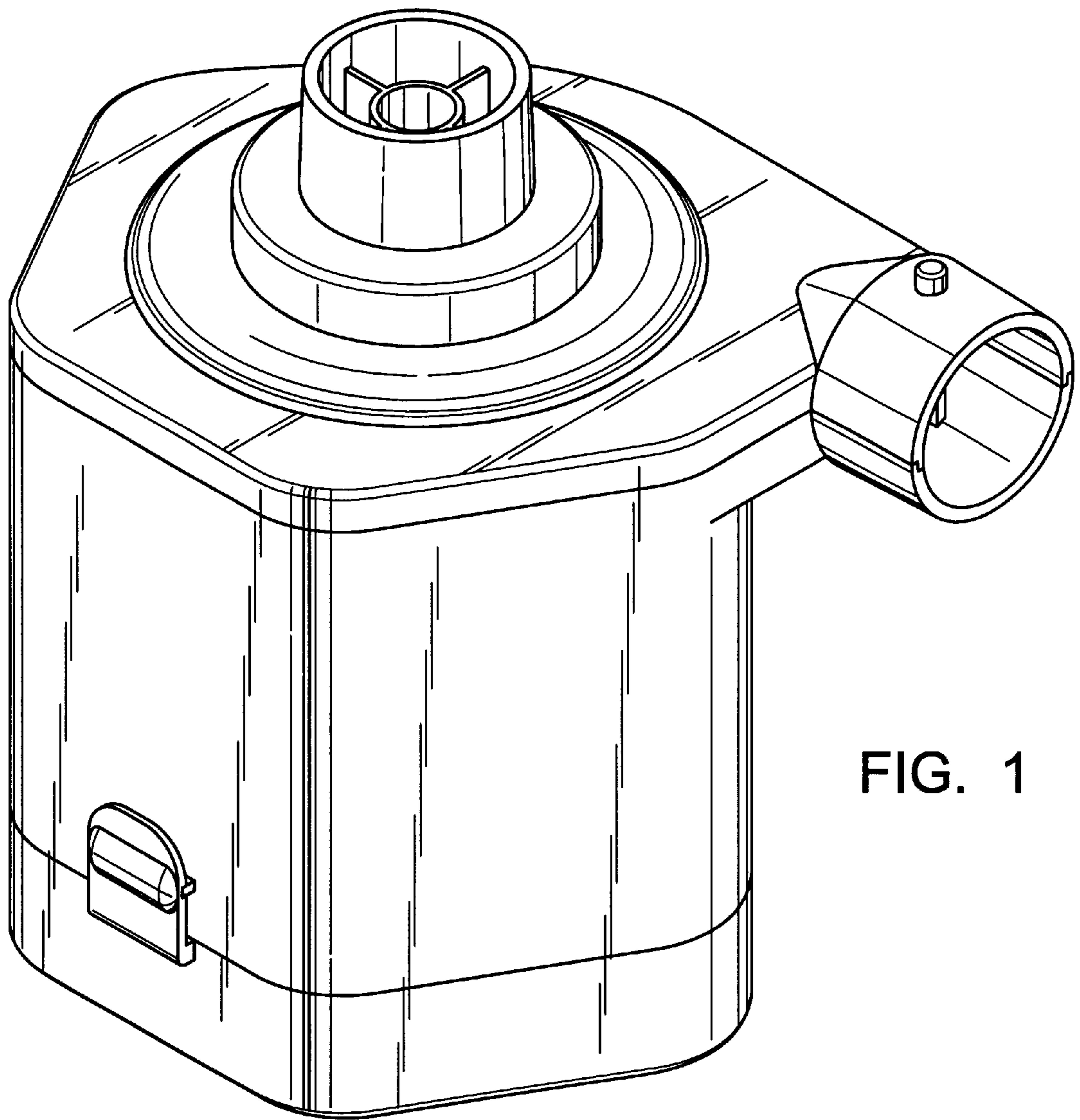


FIG. 1

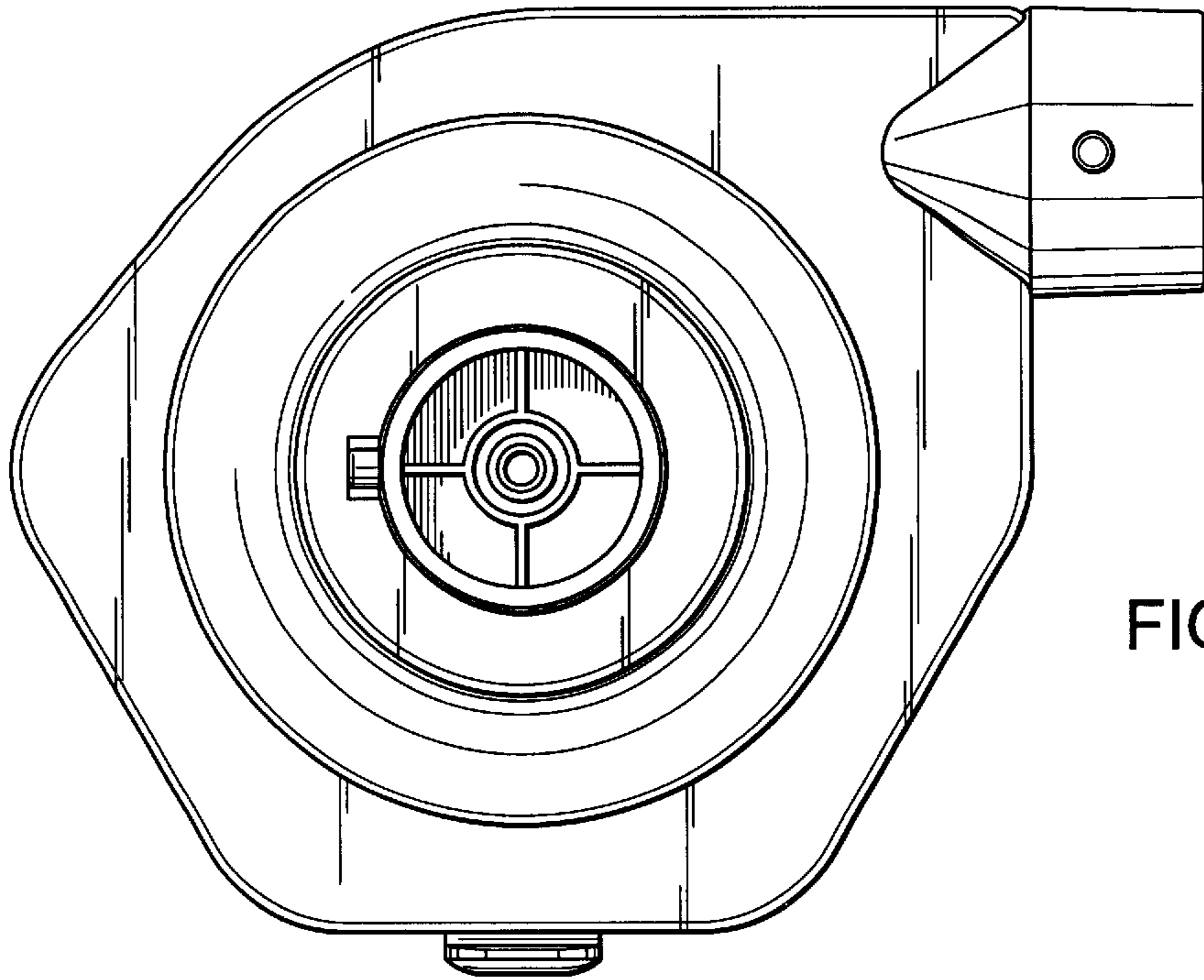


FIG. 3

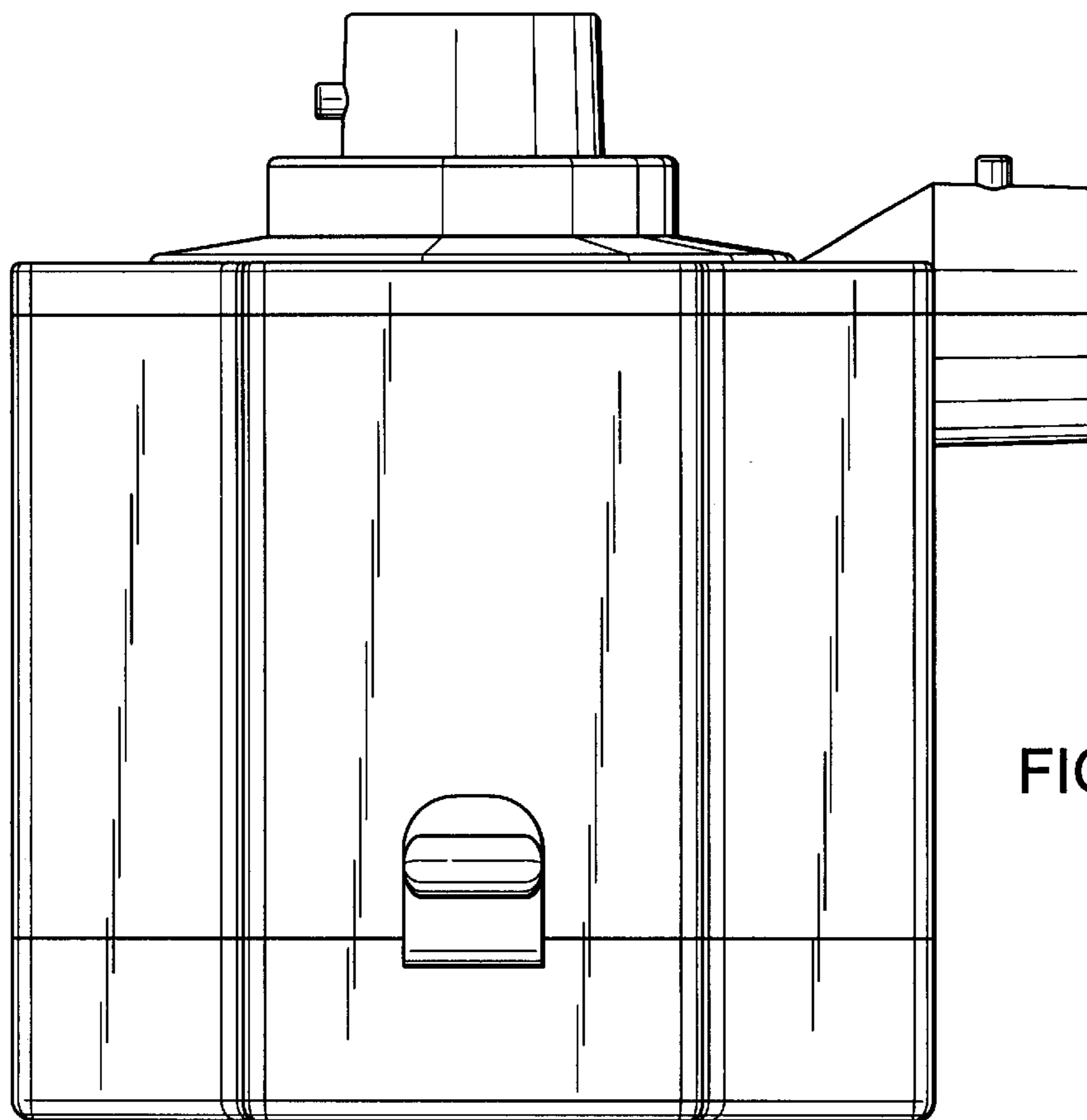


FIG. 2

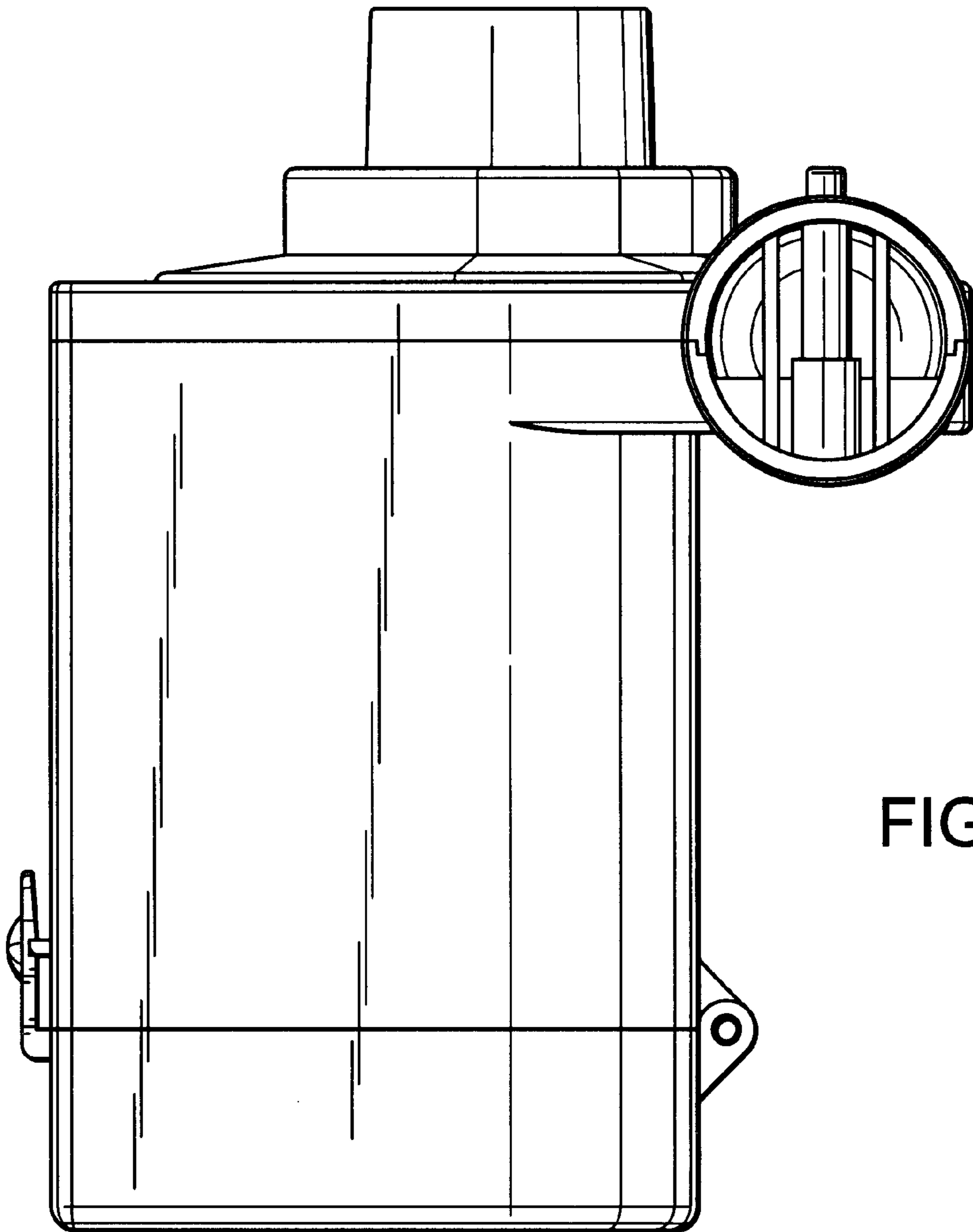


FIG. 4

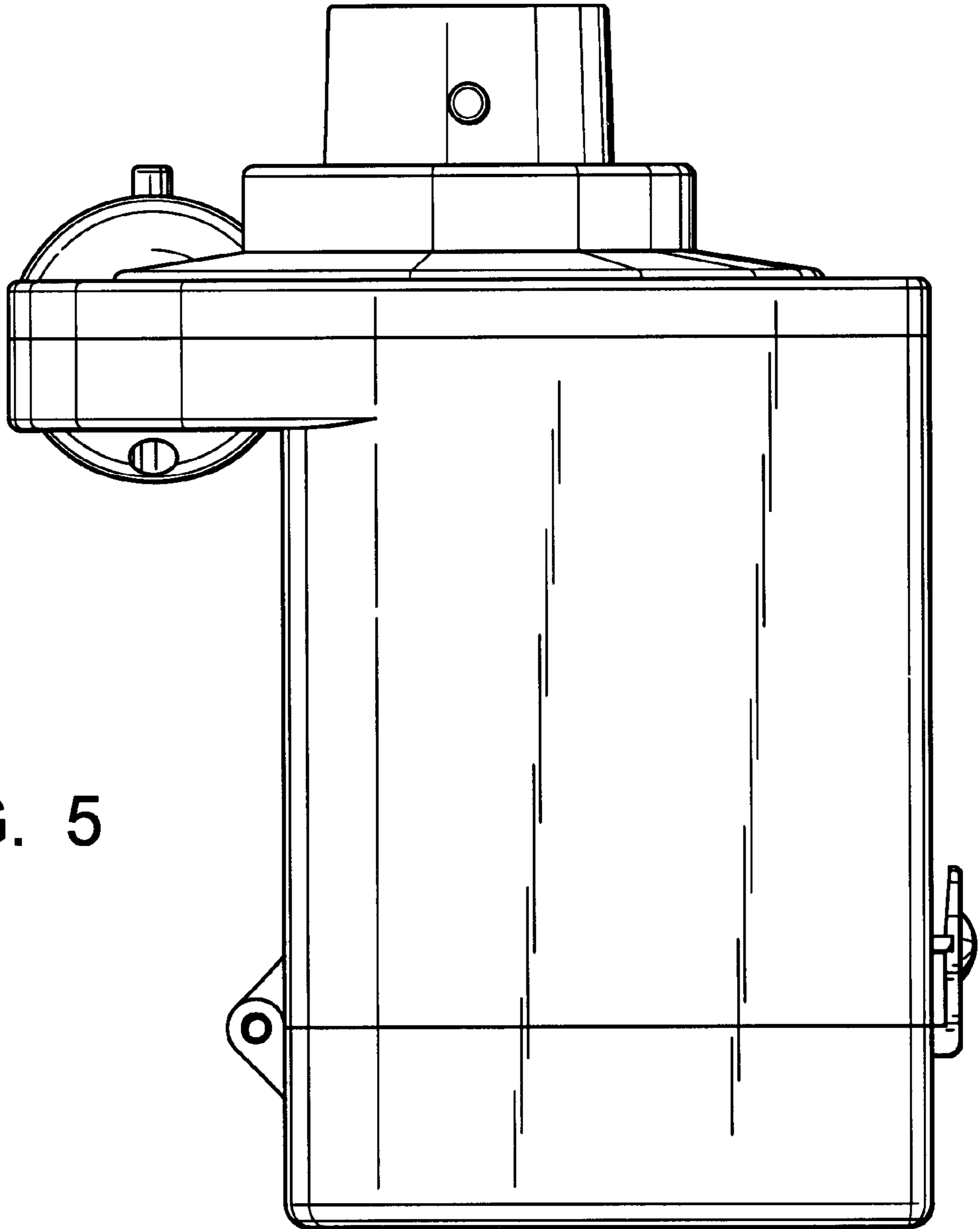


FIG. 5

FIG. 6

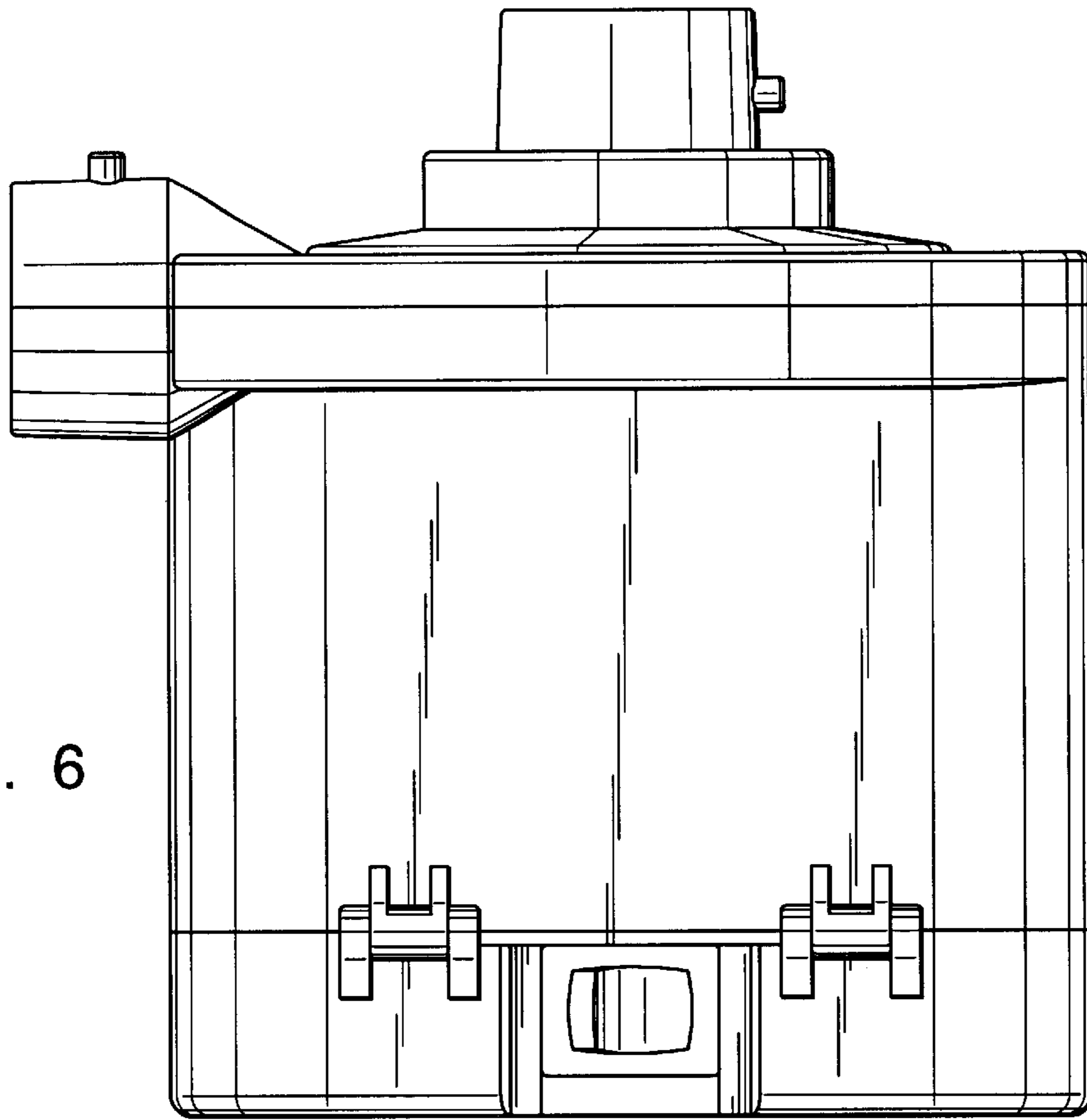
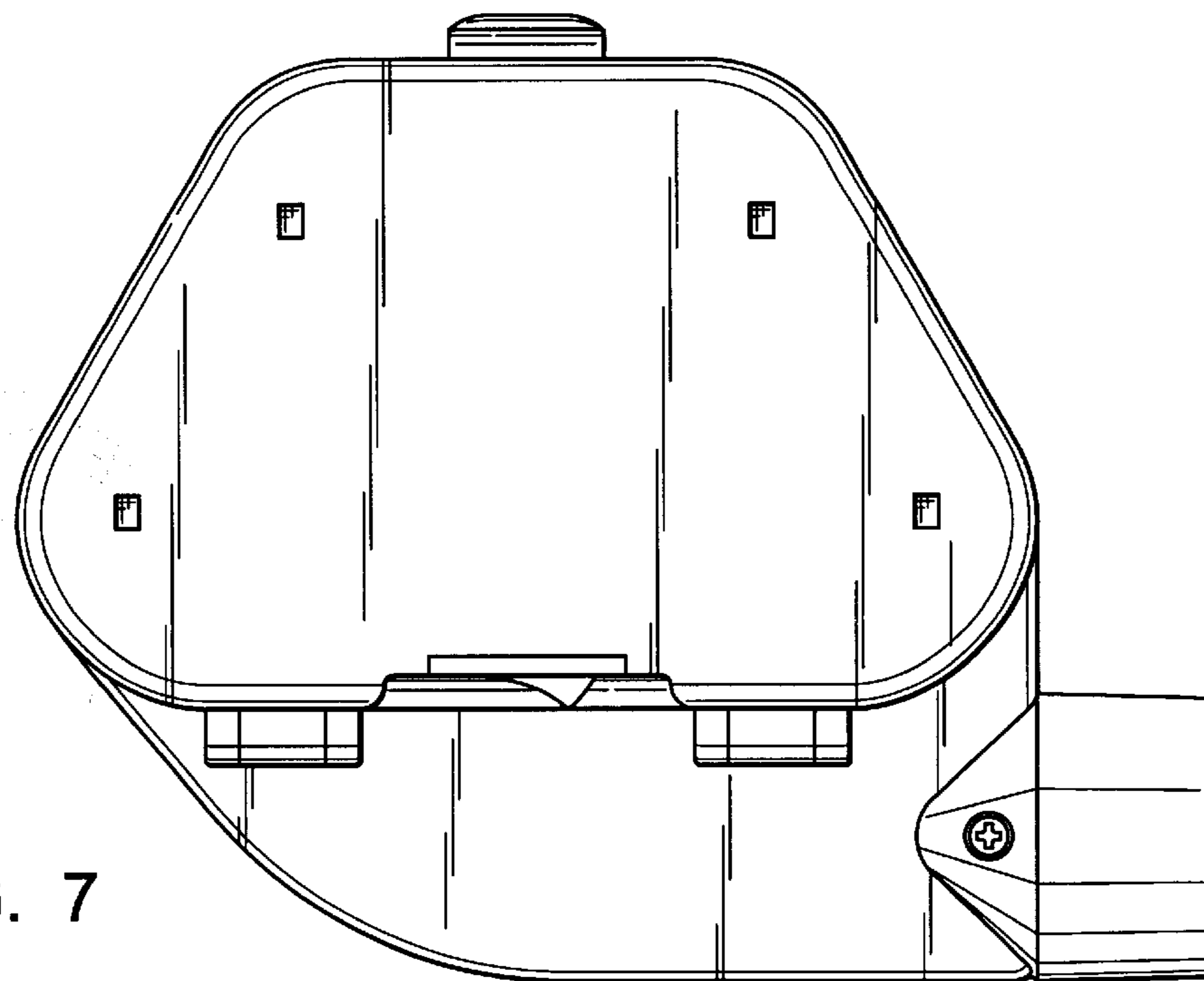


FIG. 7



UNITED STATES PATENT AND TRADEMARK OFFICE
CERTIFICATE OF CORRECTION

PATENT NO. : Des. 479,722 S
DATED : September 16, 2003
INVENTOR(S) : Poon

Page 1 of 1

It is certified that error appears in the above-identified patent and that said Letters Patent is hereby corrected as shown below:

Title page,

Item [30], **Foreign Application Priority Data**, delete “(CN)” and replace with -- (HK) --; and delete “111280” and replace with -- 0111280 --.

Signed and Sealed this

Seventeenth Day of February, 2004

A handwritten signature in black ink, reading "Jon W. Dudas". The signature is written in a cursive style with a large, looped initial "J".

JON W. DUDAS

Acting Director of the United States Patent and Trademark Office