



US00D479721S

(12) **United States Design Patent**
Kern et al.

(10) **Patent No.:** **US D479,721 S**

(45) **Date of Patent:** **** Sep. 16, 2003**

(54) **ENGINE COVER**

(75) Inventors: **Robert D. Kern**, Waukesha, WI (US);
Gerald C. Ruehlow, Oconomowoc, WI
(US); **Guoming Wu**, Waukesha, WI
(US)

(73) Assignee: **Generac Power Systems, Inc.**,
Waukesha, WI (US)

(**) Term: **14 Years**

(21) Appl. No.: **29/172,377**

(22) Filed: **Dec. 10, 2002**

Related U.S. Application Data

(62) Division of application No. 29/147,632, filed on Sep. 4,
2001, now Pat. No. Des. 471,207.

(51) **LOC (7) Cl.** **15-01**

(52) **U.S. Cl.** **D15/5**

(58) **Field of Search** D15/1-5, 149;
74/606 R; 123/198 E, 50 A, 306, 308, 432,
661, 667

(56) **References Cited**

U.S. PATENT DOCUMENTS

D283,234 S * 4/1986 Parkhurst et al. D15/1

D371,138 S * 6/1996 Waskiewicz D15/5
D376,154 S * 12/1996 Thirumalaisamy et al. D15/5
D408,829 S * 4/1999 Jones D15/5
D417,675 S * 12/1999 Yaguchi et al. D15/1
D447,489 S * 9/2001 Antony et al. D15/5
D450,326 S * 11/2001 Mundell D15/5
D471,201 S * 3/2003 Kern et al. D15/5

* cited by examiner

Primary Examiner—Melody N. Brown
(74) *Attorney, Agent, or Firm*—Boyle Fredrickson
Newholm Stein & Gratz S.C.

(57) **CLAIM**

The ornamental design of an engine cover, as shown and
described.

DESCRIPTION

FIG. 1 is a front elevational view of an engine cover showing
our new design;

FIG. 2 is a side elevational view thereof;

FIG. 3 is an opposite side elevational view thereof;

FIG. 4 is a top plan view thereof; and,

FIG. 5 is a rear elevational view thereof.

1 Claim, 5 Drawing Sheets

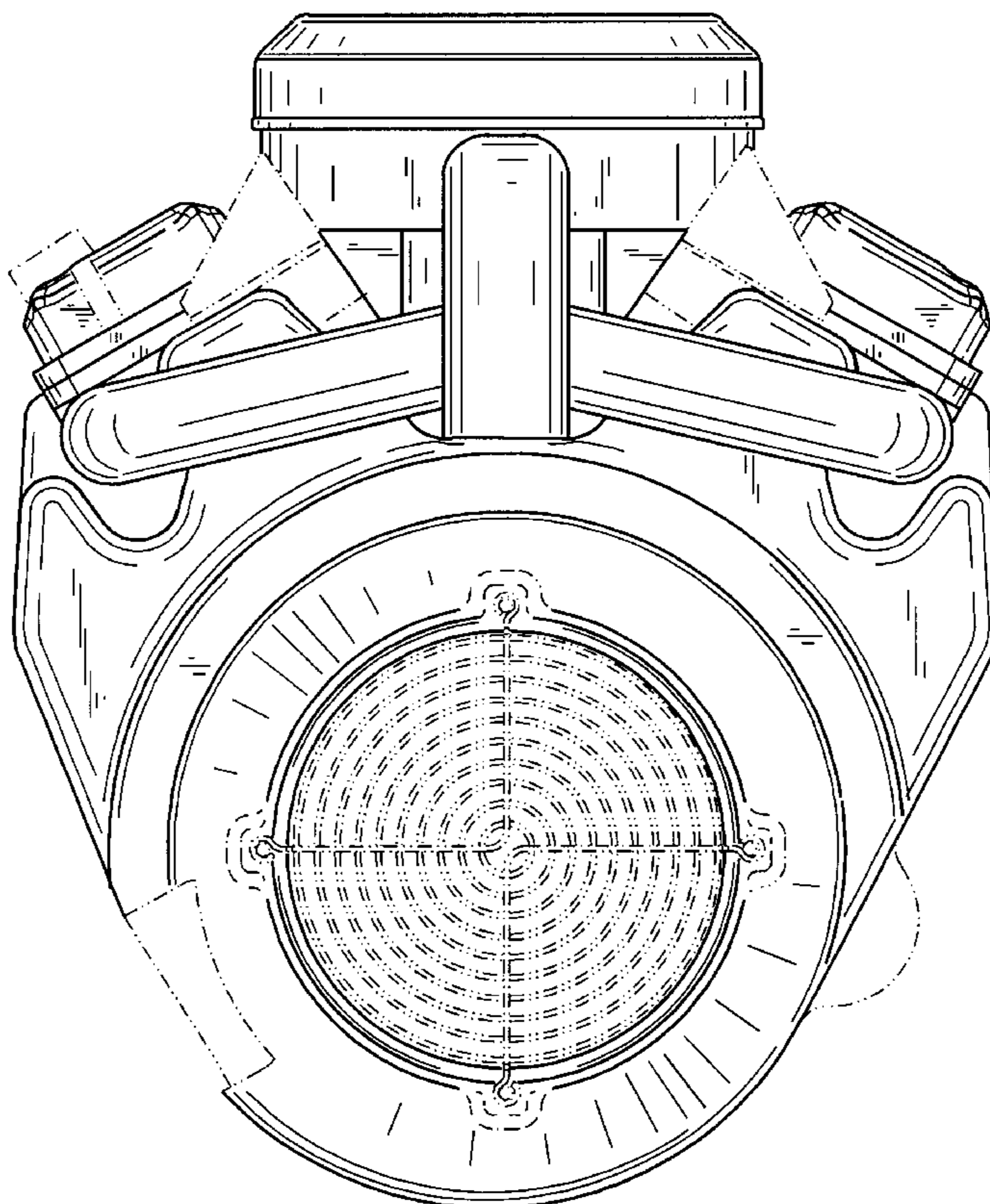


FIG. 1

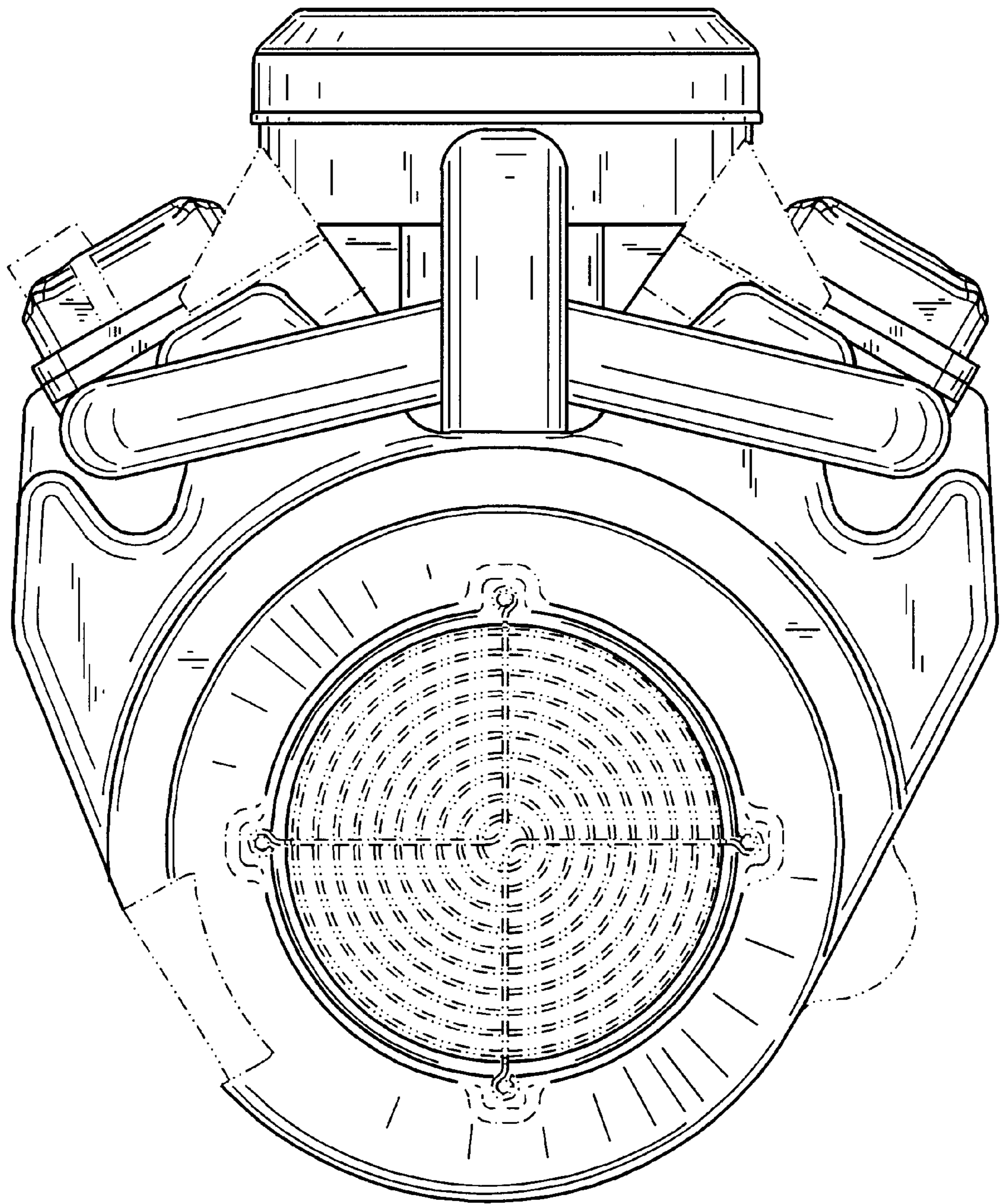


FIG. 2

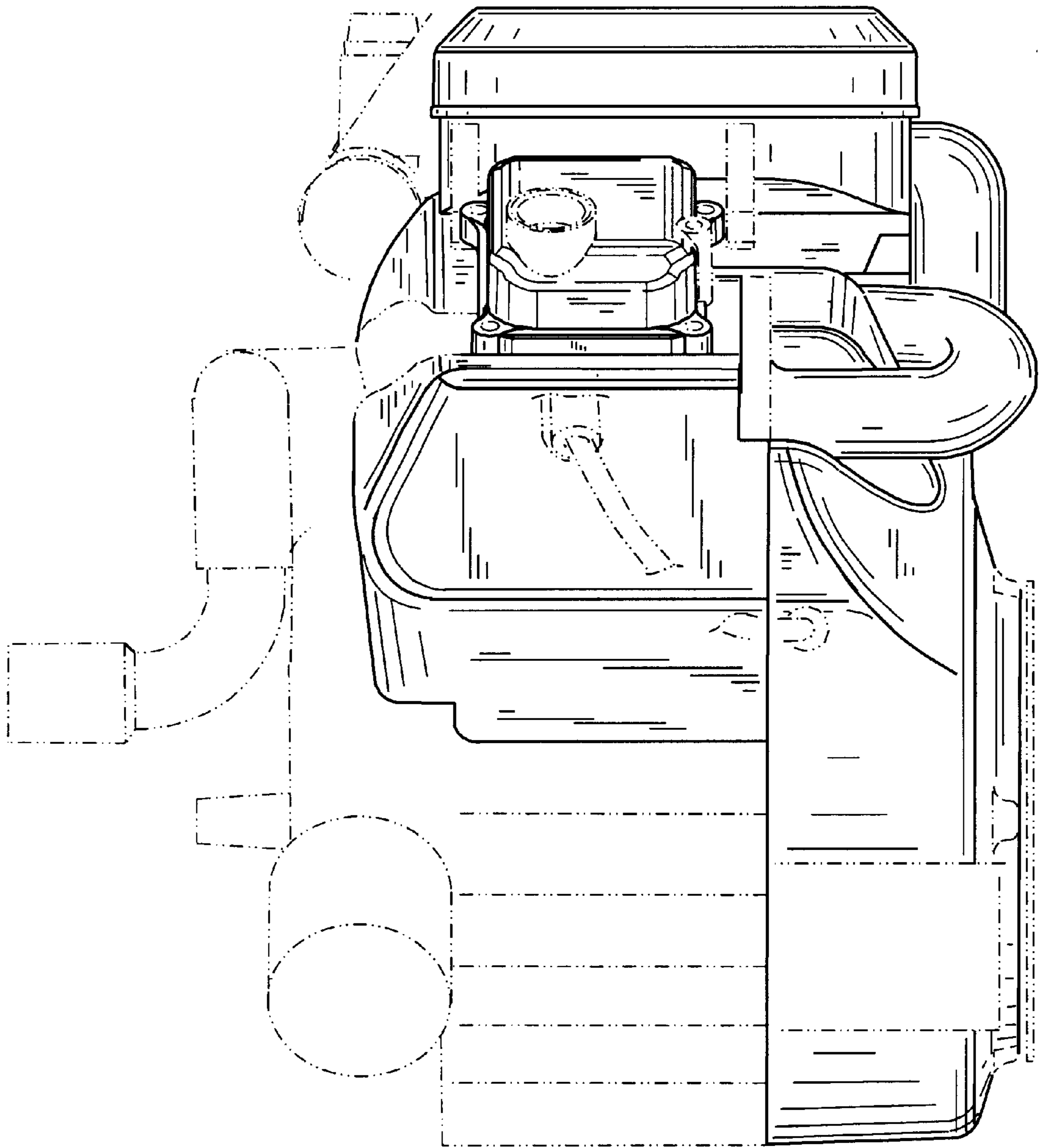


FIG. 3

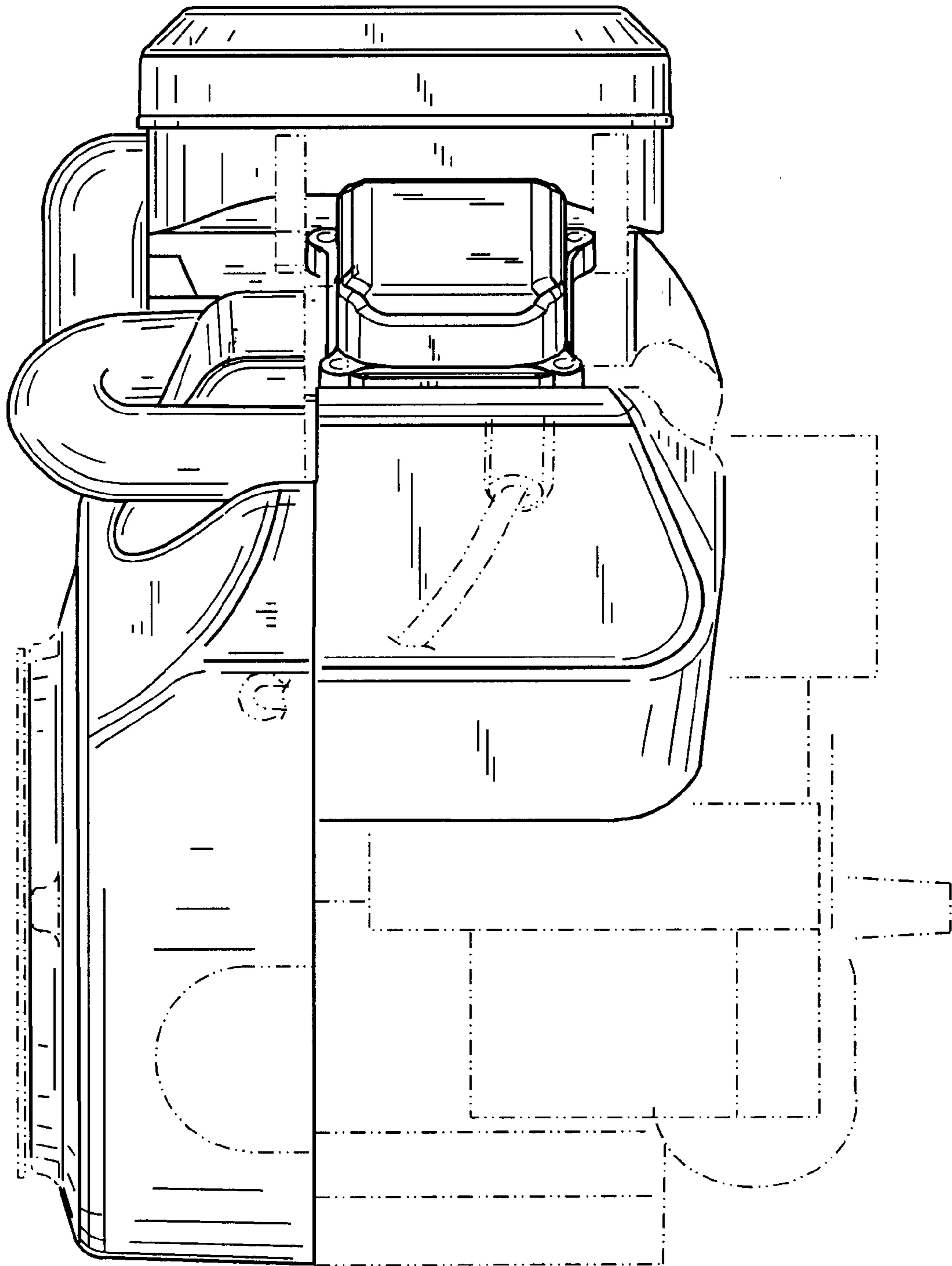


FIG. 4

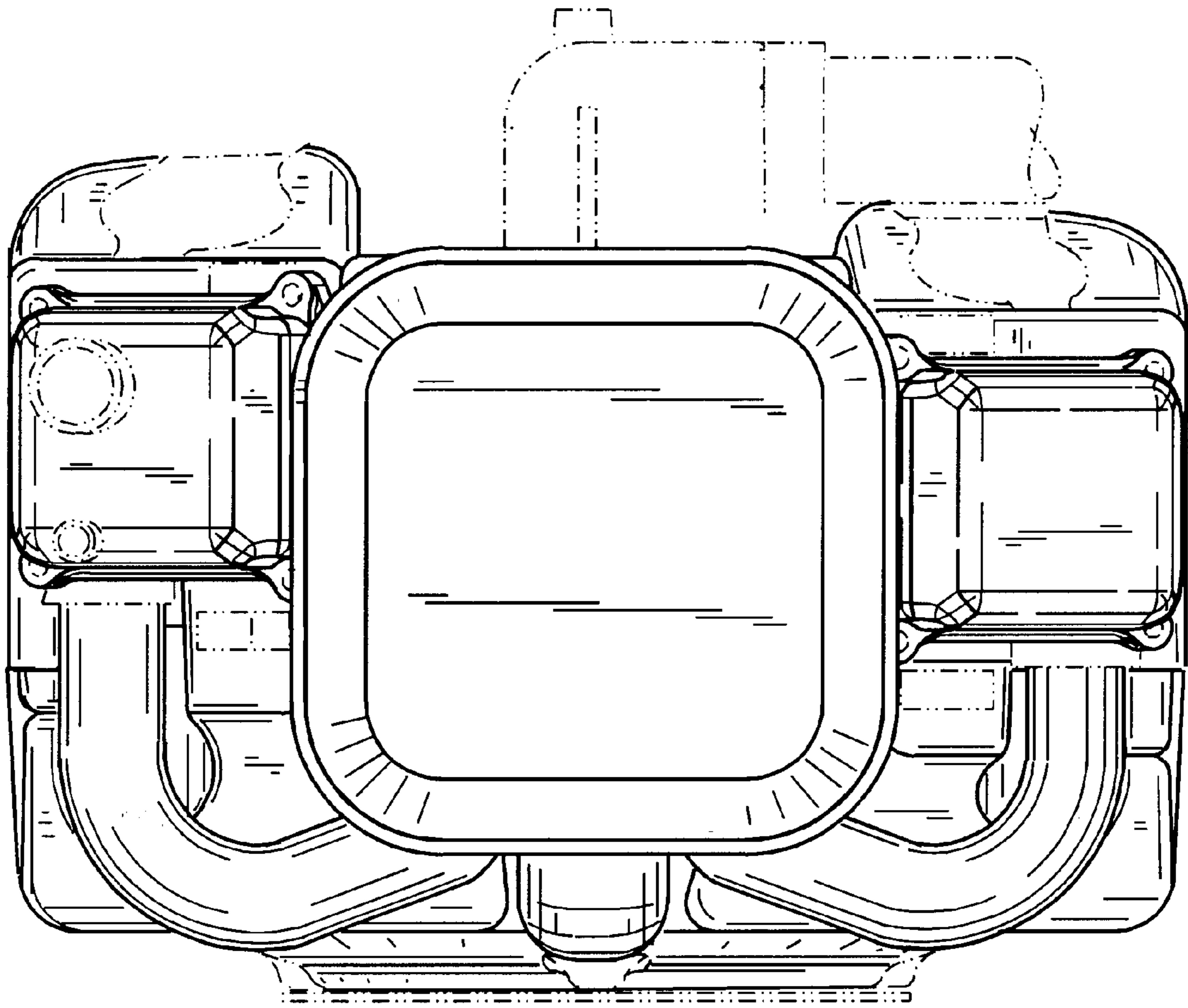


FIG. 5

