



US00D479718S

(12) **United States Design Patent**  
**Herrmann et al.**

(10) **Patent No.:** **US D479,718 S**

(45) **Date of Patent:** **\*\* Sep. 16, 2003**

(54) **FRONT PANEL FOR MODULAR  
PROCESSING SYSTEM**

D402,286 S \* 12/1998 Poole et al. .... D14/441  
D415,140 S \* 10/1999 Waaler ..... D14/441  
D415,749 S \* 10/1999 Burke ..... D14/445

(75) Inventors: **Charles Herrmann**, Rydal, PA (US);  
**Doris Schneider**, Philadelphia, PA  
(US); **Keith Sibley**, Willow Grove, PA  
(US); **Paul Ocepek**, Norfolk, MA (US);  
**Jeffrey Paul Viola**, Glen Mills, PA  
(US); **Ron DiUbaldi**, Media, PA (US)

\* cited by examiner

*Primary Examiner*—Freda Nunn  
(74) *Attorney, Agent, or Firm*—Volpe and Koenig, P.C.

(73) Assignee: **General Instrument Corporation**,  
Wilmington, DE (US)

(57) **CLAIM**

The ornamental design for front panel for modular process-  
ing system, as shown and described.

(\*\*) Term: **14 Years**

**DESCRIPTION**

(21) Appl. No.: **29/162,773**

FIG. 1 is a perspective view, from the front and above, of a  
front panel for a modular processing system showing our  
new design.

(22) Filed: **Jun. 21, 2002**

FIG. 2 is a front view thereof.

(51) **LOC (7) Cl.** ..... **14-02**

FIG. 3 is a top view thereof.

(52) **U.S. Cl.** ..... **D14/441**

FIG. 4 is a bottom view thereof; and,

(58) **Field of Search** ..... D14/441-446;  
D13/162, 184, 199; 312/223.2; 361/680-686

FIG. 5 is a right side view thereof, the left side view being  
a mirror image.

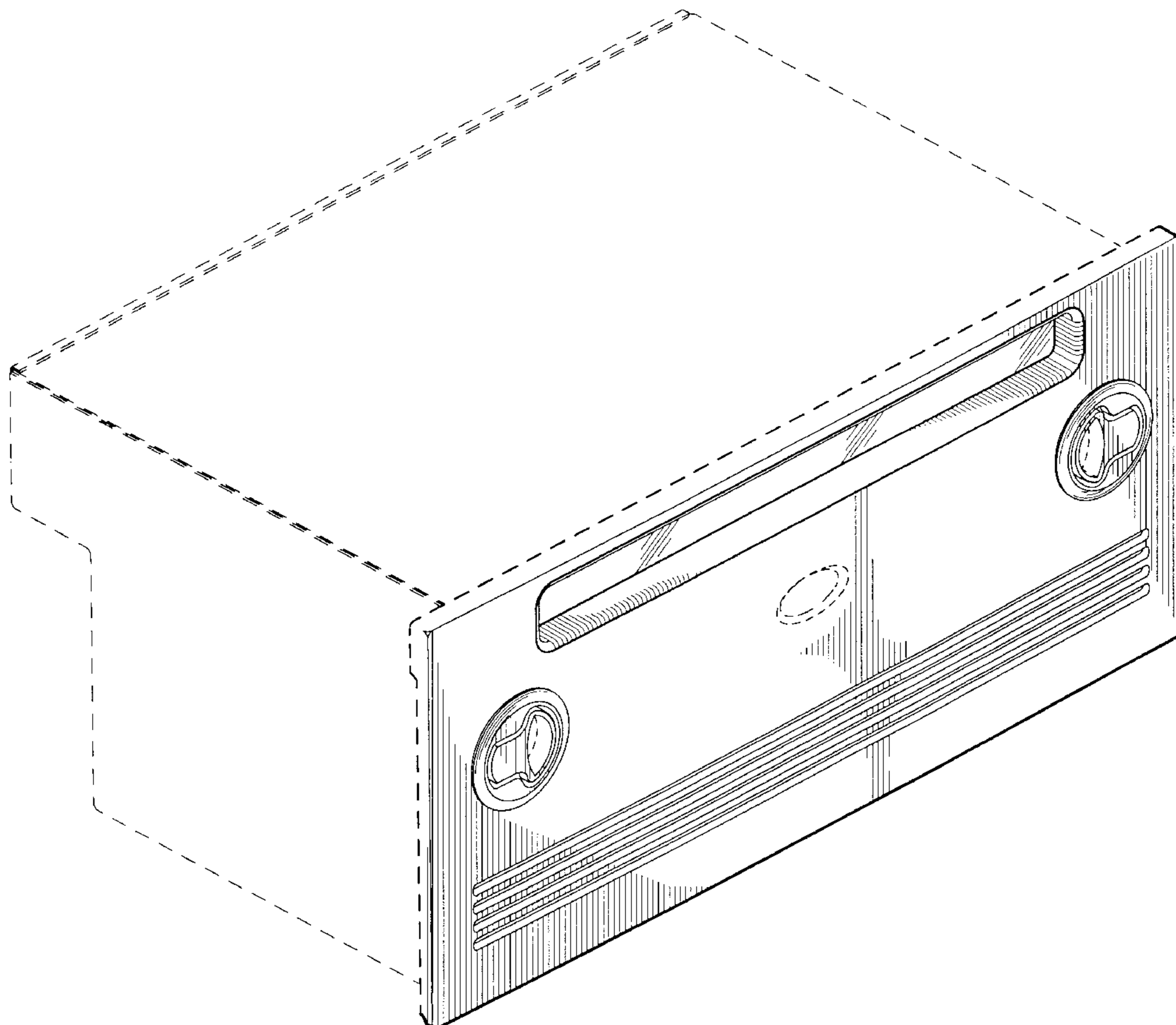
(56) **References Cited**

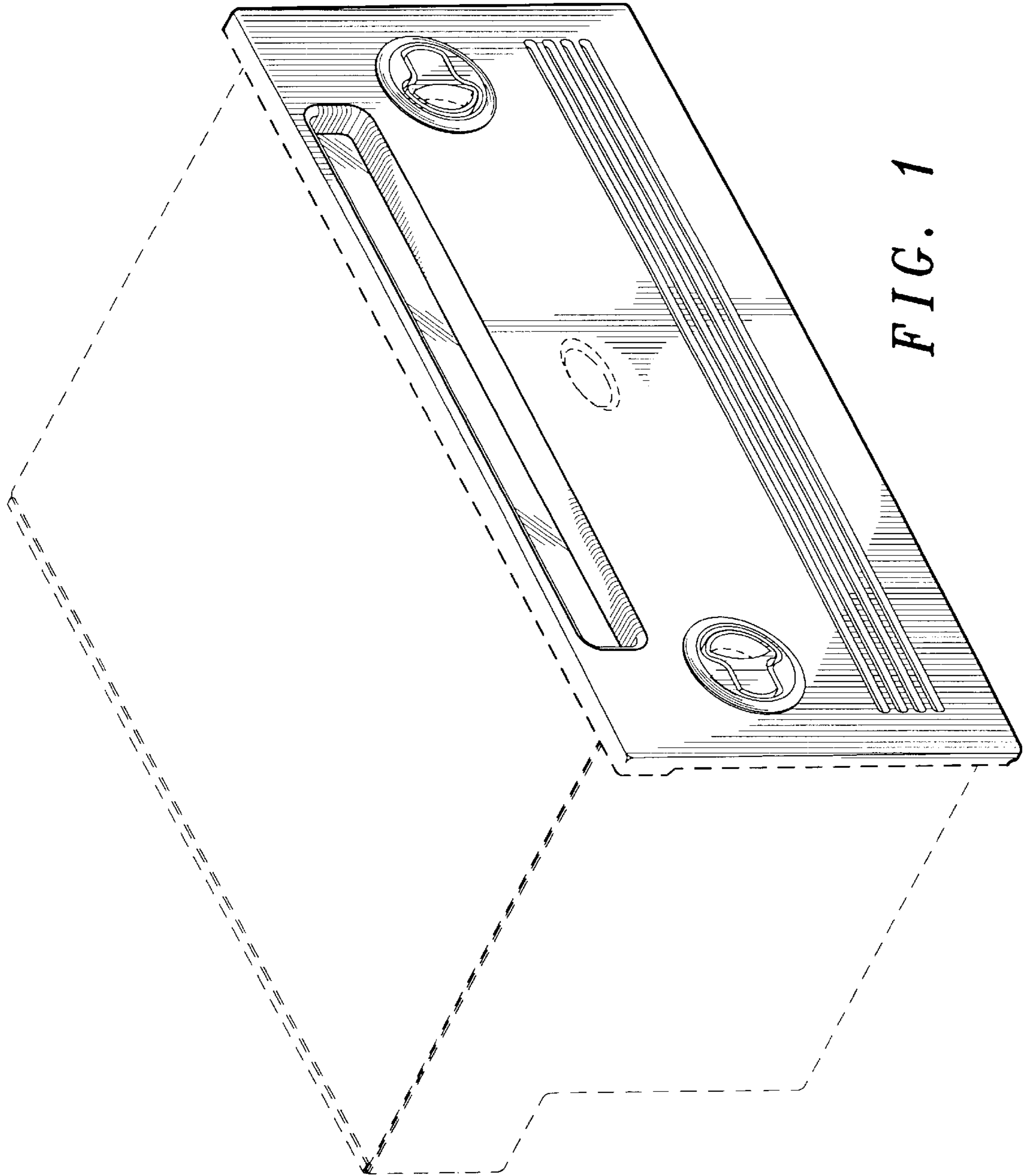
The broken lines shown in FIGS. 1-5 represent environ-  
mental subject matter and form no part of the claimed  
design. The rear view is omitted and forms no part of the  
claimed design.

**U.S. PATENT DOCUMENTS**

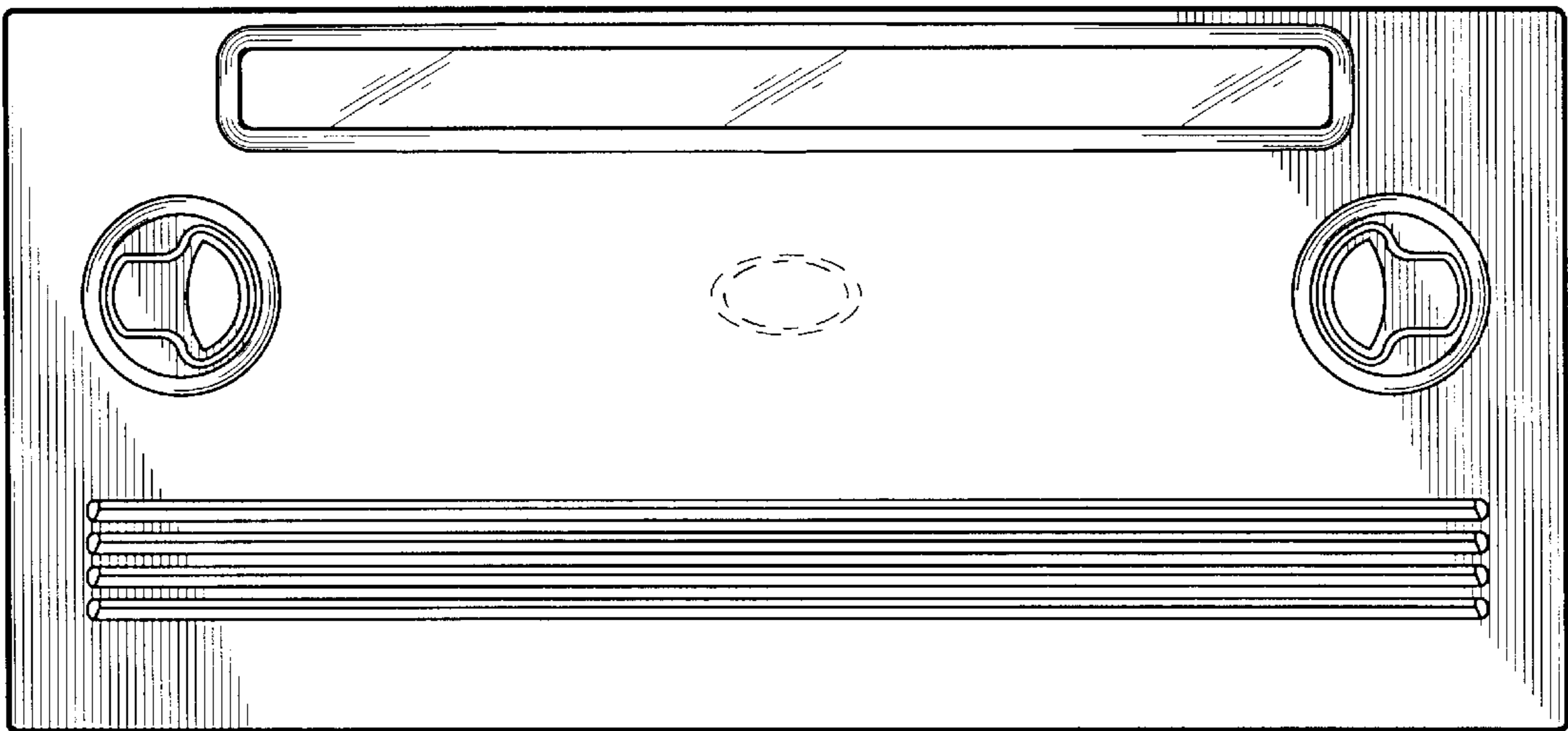
D307,423 S \* 4/1990 Hill ..... D14/441

**1 Claim, 5 Drawing Sheets**

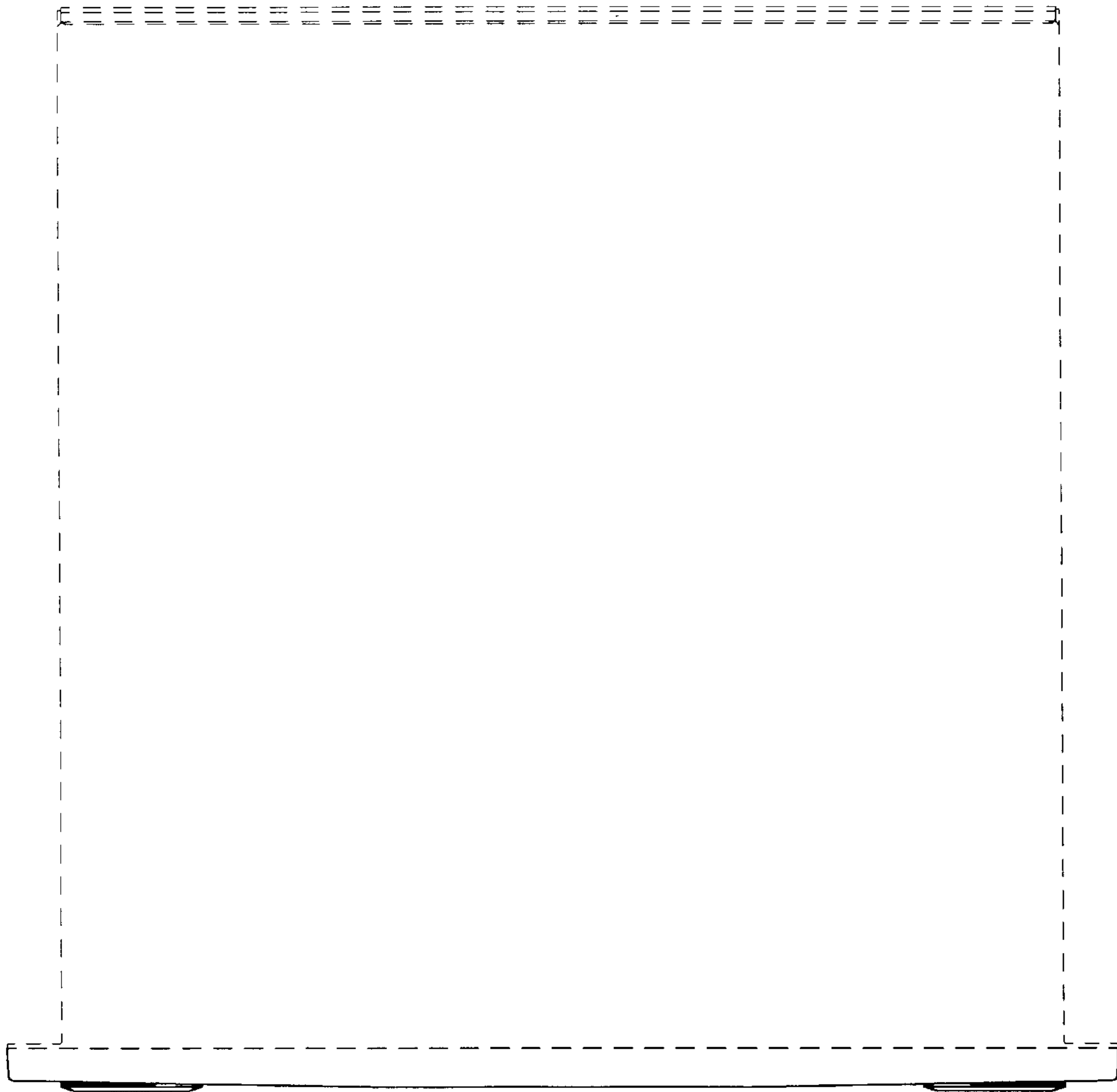




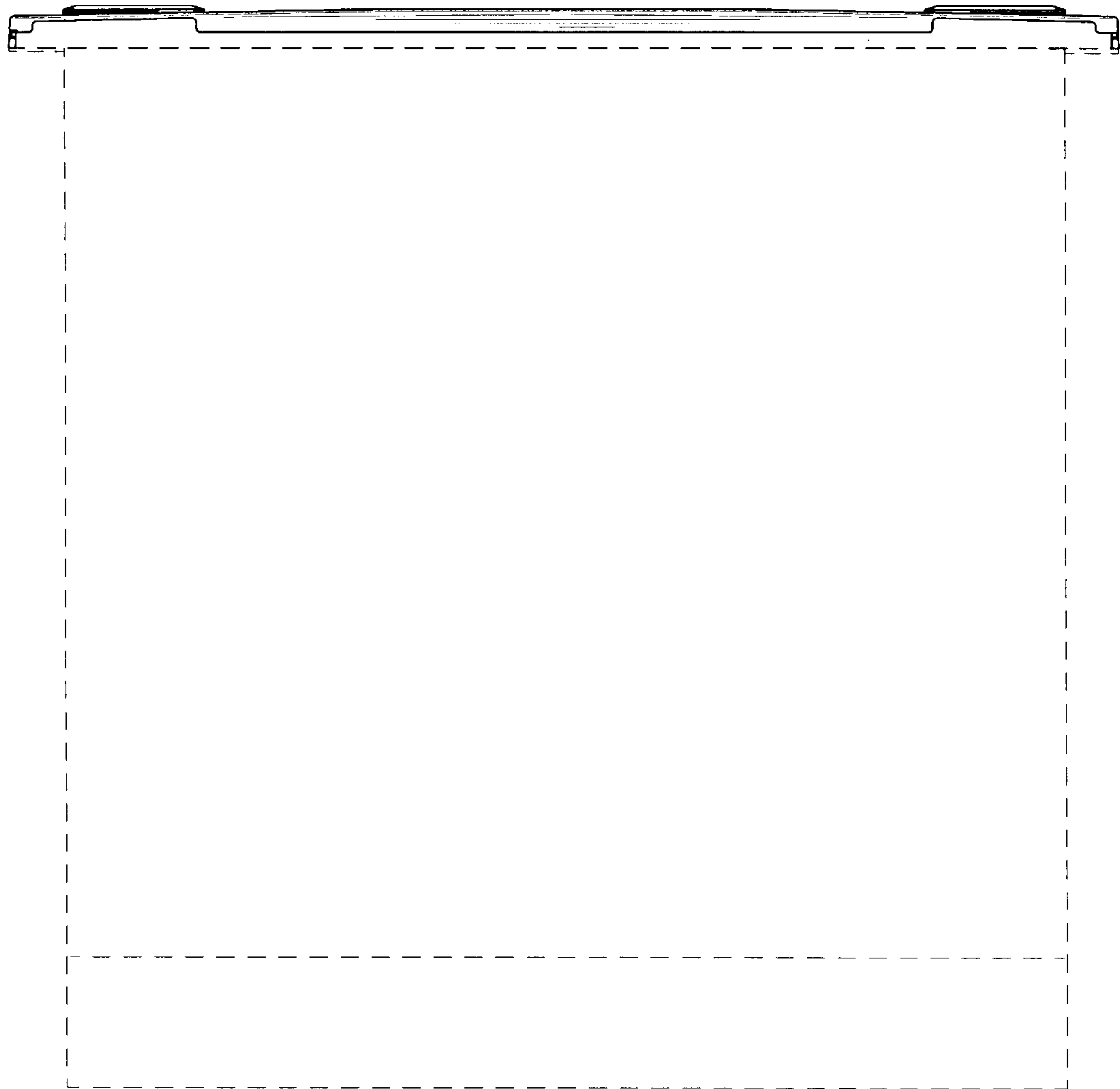
*FIG. 1*



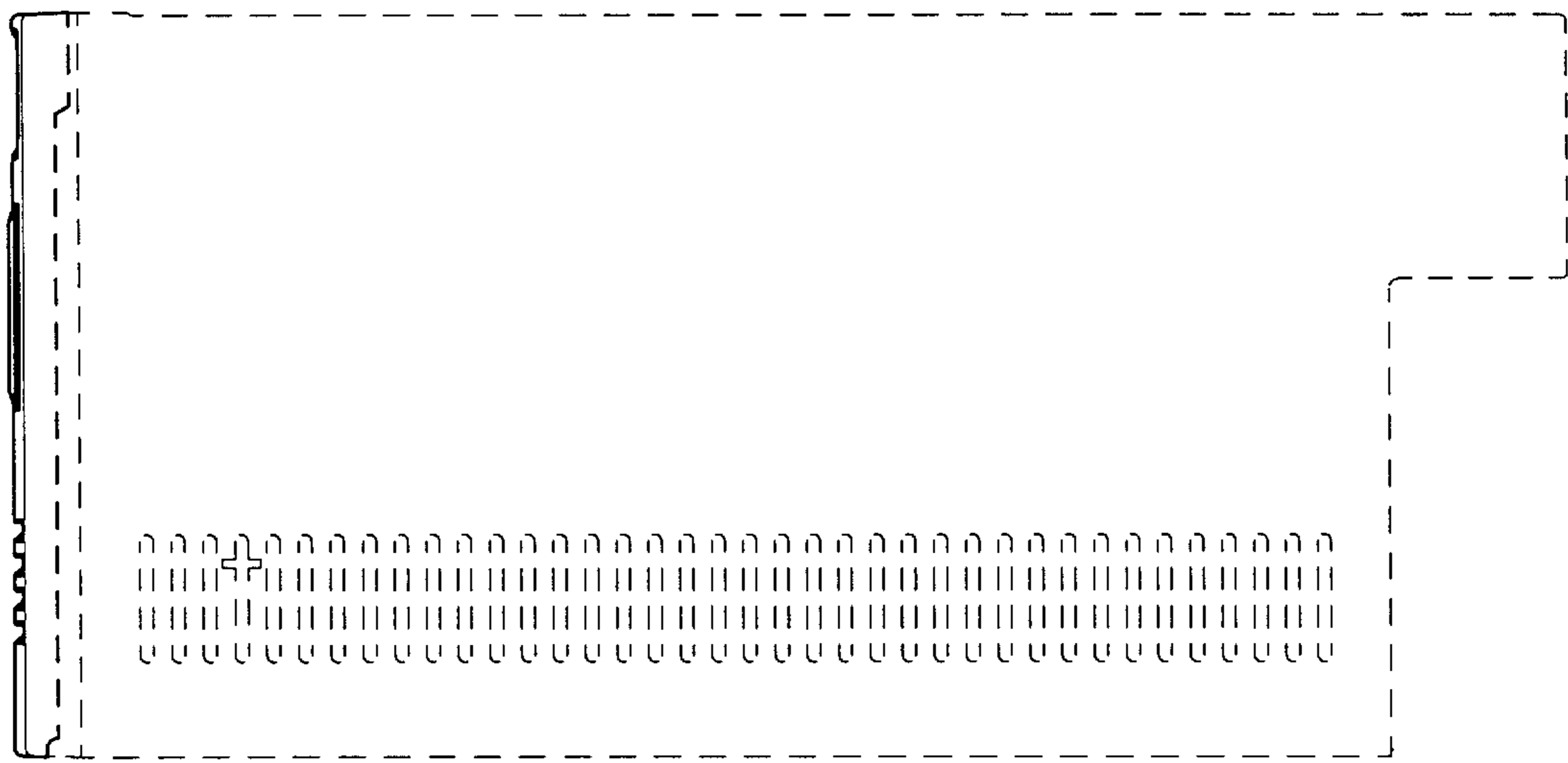
*FIG. 2*



*FIG. 3*



*FIG. 4*



*FIG. 5*