



US00D479713S

(12) **United States Design Patent**  
**Sadatsuki**

(10) **Patent No.:** **US D479,713 S**

(45) **Date of Patent:** **\*\* Sep. 16, 2003**

(54) **COMBINED DISC PLAYER AND RADIO RECEIVER**

D444,136 S 6/2001 Sogabe

**OTHER PUBLICATIONS**

(75) Inventor: **Koichi Sadatsuki**, Tokyo (JP)

(73) Assignee: **Sony Corporation**, Tokyo (JP)

(\*\*) Term: **14 Years**

(21) Appl. No.: **29/164,421**

(22) Filed: **Jul. 25, 2002**

Catalog "99, WX-7700MDX," 2 sheet, SONY (Nov. 2001).  
Web Page "Crutchfield," <http://sm.crutchfield.com/cgi-bin/S-np27Jm3mCjm/ProdView.asp?s=45&g=300&id=morephotos&pi=2&I=158CDXM730&display=L>, 1 sheet, SONY (May 2002).

Web Page "Sony CAR AUDIO," CDX-C470X, wysiwyg://12/http://www.sony.jp/products...contents/caraudio/lineup/cdx\_c470x.html, 1 sheet, SONY (May 2002).

\* cited by examiner

*Primary Examiner*—Nanda Bondade

(74) *Attorney, Agent, or Firm*—Rader, Fishman & Grauer PLLC

**Related U.S. Application Data**

(63) Continuation-in-part of application No. 29/134,867, filed on Jan. 3, 2001, now Pat. No. Des. 463,394.

(51) **LOC (7) Cl.** ..... **14-01**

(52) **U.S. Cl.** ..... **D14/168; D14/156**

(58) **Field of Search** ..... D14/135-136,  
D14/156-157, 167-168, 188, 193-198,  
257-258; 369/75.1, 75.2, 77.1, 77.2; 455/344,  
347, 350-351

(57) **CLAIM**

The ornamental design for a combined disc player and radio receiver, as shown.

**DESCRIPTION**

FIG. 1 is a perspective view of a combined disc player and radio receiver showing my new design;  
FIG. 2 is a front elevational view thereof;  
FIG. 3 is a left side elevational view thereof;  
FIG. 4 is a right side elevational view thereof; and,  
FIG. 5 is a bottom plan view thereof.

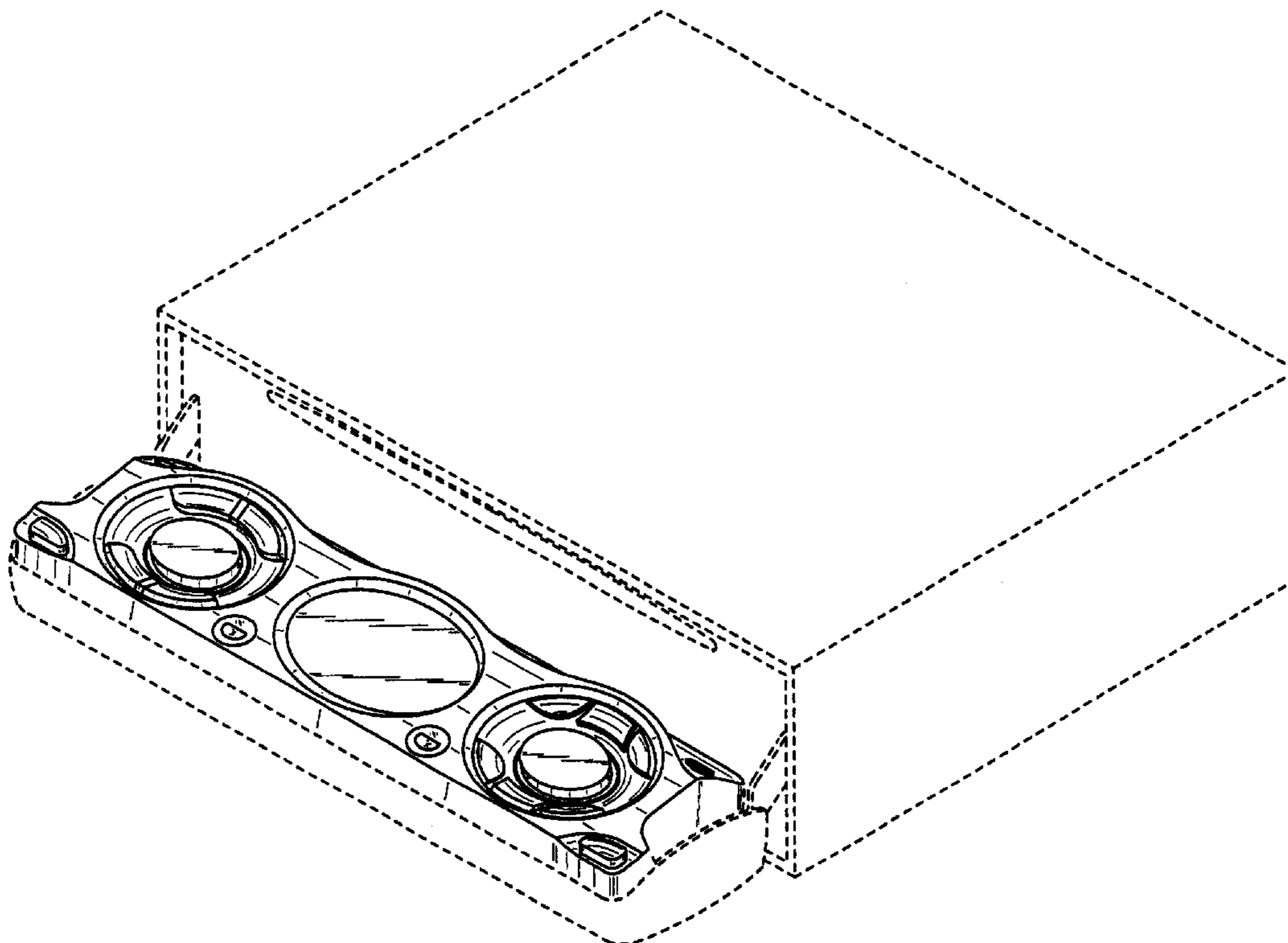
The broken line showing on FIGS. 1-5 is for illustrative purposes only and forms no part of the claimed design.

(56) **References Cited**

**U.S. PATENT DOCUMENTS**

D368,088 S	3/1996	Cha	
5,848,042 A	12/1998	Takahashi et al.	
D406,588 S	3/1999	Sogabe	
D414,776 S	10/1999	Shintani et al.	
6,028,737 A	2/2000	Khuu	
D425,890 S	5/2000	Kataoka	
D438,525 S	* 3/2001	Katayama	..... D14/156

**1 Claim, 4 Drawing Sheets**



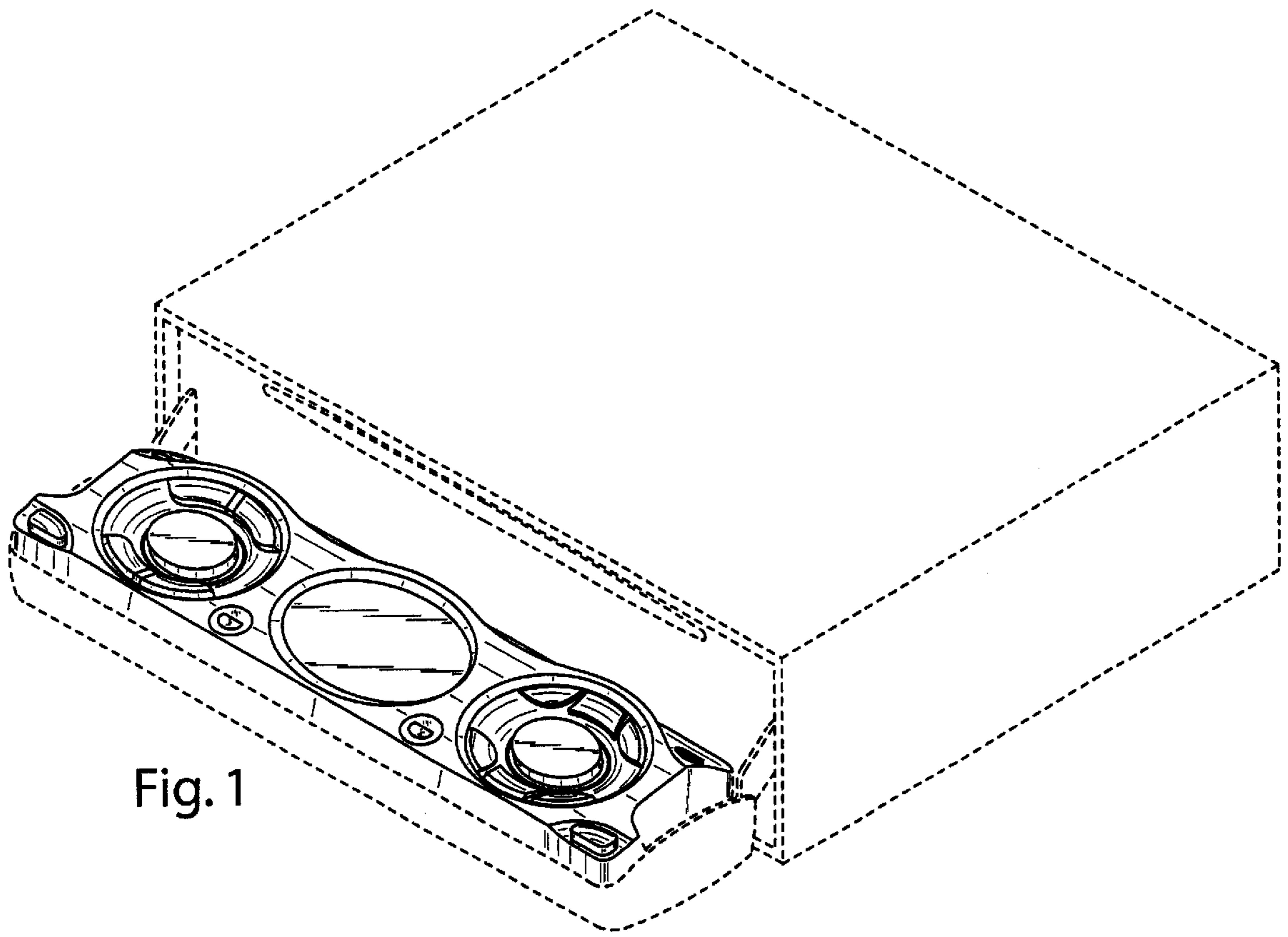


Fig. 1

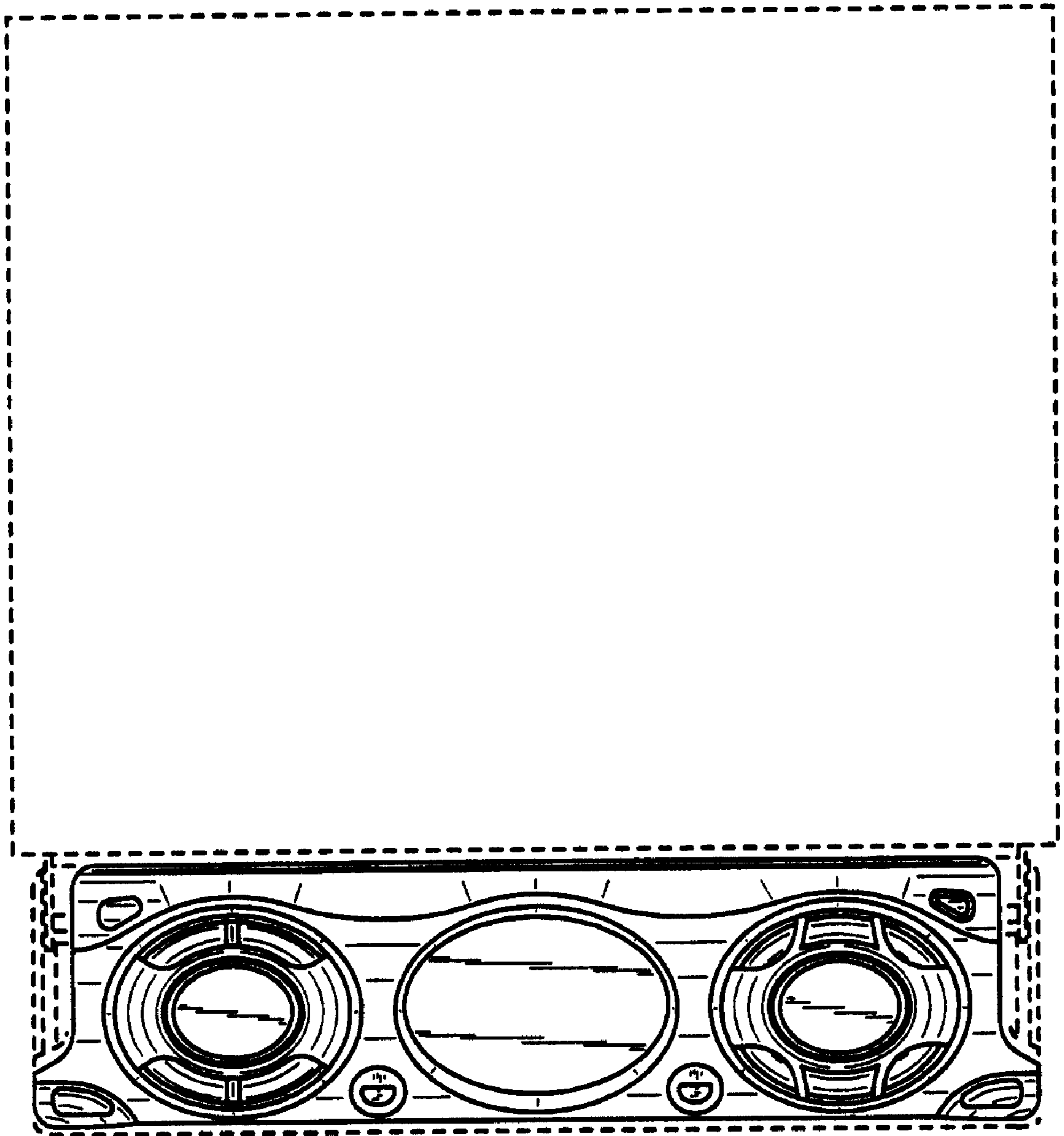


Fig. 2

Fig. 3

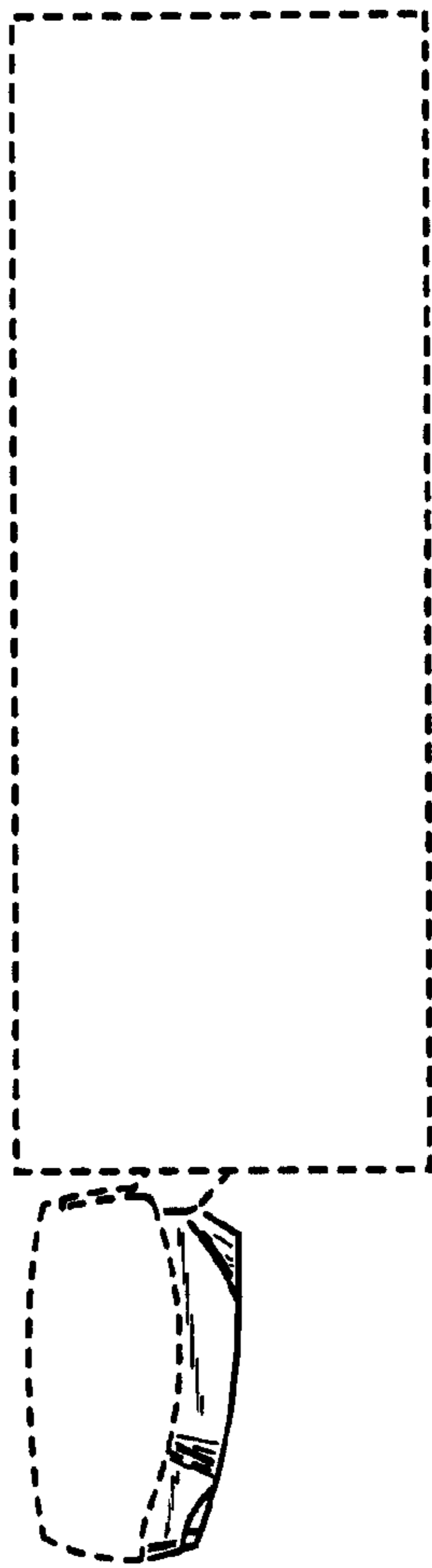
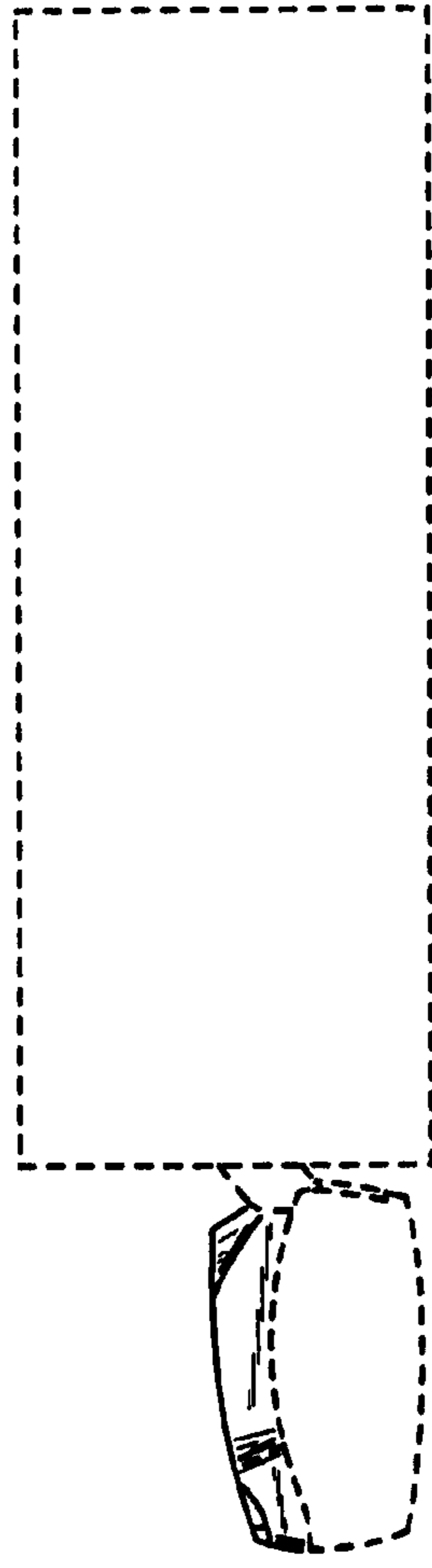


Fig. 4



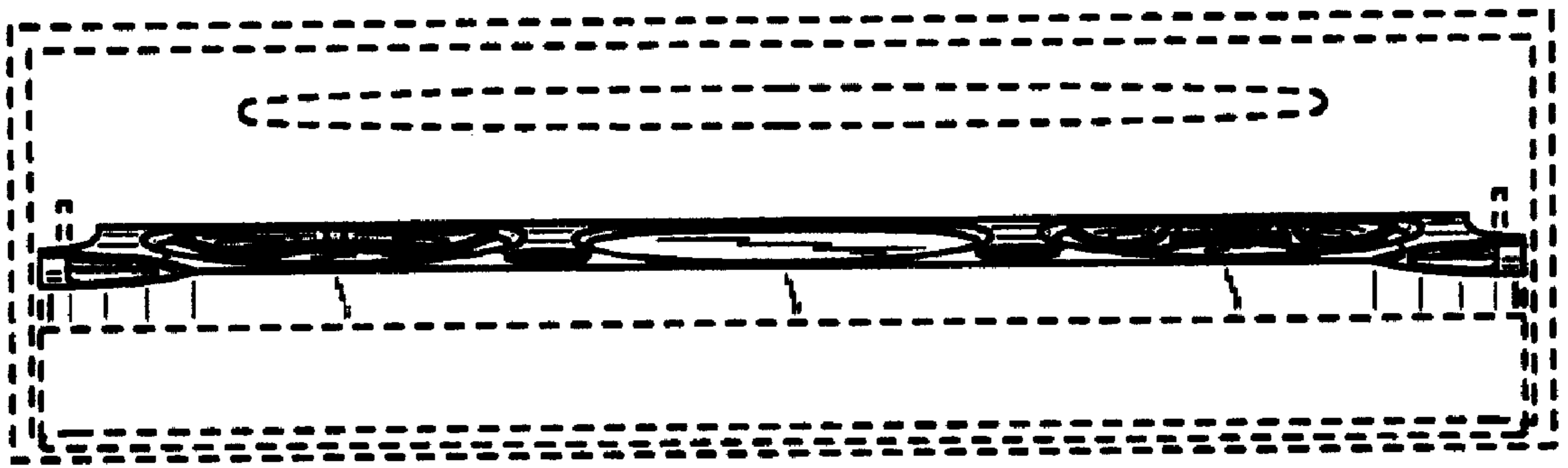


Fig. 5