



US00D479706S

(12) **United States Design Patent**
Fukasawa et al.

(10) **Patent No.:** **US D479,706 S**

(45) **Date of Patent:** **** Sep. 16, 2003**

(54) **AUTOMOBILE BLINKER LIGHT CONNECTOR**

6,053,766 A * 4/2000 Muramatsu et al. 439/558
6,210,020 B1 * 4/2001 Van Dulmen et al. 362/226

(75) Inventors: **Yousuke Fukasawa**, Ota (JP); **Takao Umezawa**, Ota (JP)

FOREIGN PATENT DOCUMENTS

JP 08164793 * 6/1996 B60Q/1/56
JP 08268152 * 10/1996 B60Q/1/32

(73) Assignee: **Mitsuba Corporation**, Kiryu (JP)

(**) Term: **14 Years**

* cited by examiner

Primary Examiner—Joel Sincavage

(21) Appl. No.: **29/150,021**

(74) *Attorney, Agent, or Firm*—Oliff & Berridge, PLC

(22) Filed: **Oct. 31, 2001**

(57) **CLAIM**

(30) **Foreign Application Priority Data**

The ornamental design for an automobile blinker light connector, as shown and described.

Jun. 18, 2001 (JP) 2001-017641

DESCRIPTION

(51) **LOC (7) Cl.** **13-03**

FIG. 1 is a rear view of an automobile blinker light connector;

(52) **U.S. Cl.** **D13/133**

FIG. 2 is a perspective view thereof;

(58) **Field of Search** D13/134; 439/36, 439/56, 168, 182, 220, 280, 356, 366, 375, 558, 602, 605, 699.2; 362/226

FIG. 3 is a right side view thereof;

FIG. 4 is a left side view thereof;

FIG. 5 is a plan view thereof; and,

FIG. 6 is an opposite inverted plan view thereof.

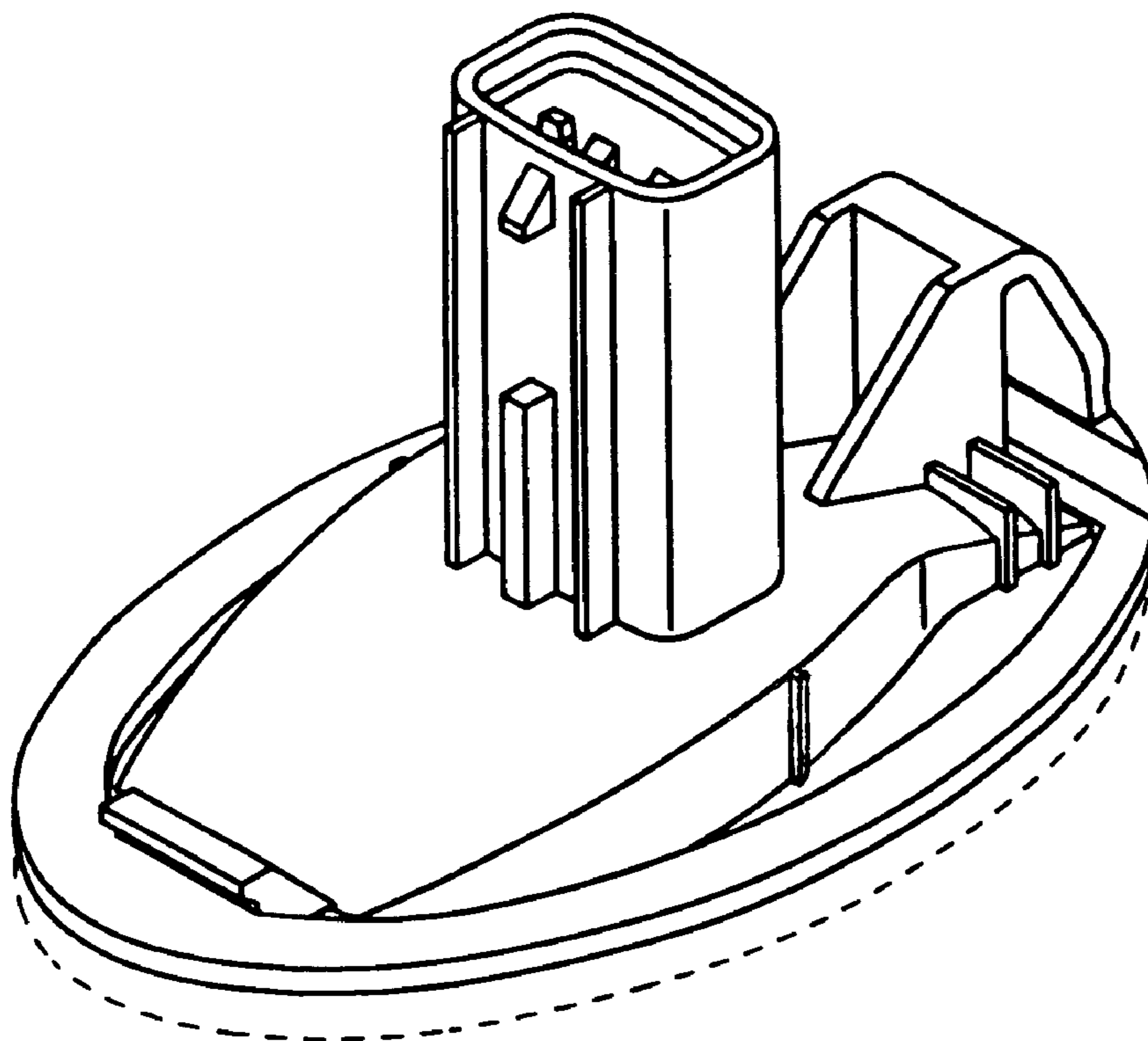
(56) **References Cited**

U.S. PATENT DOCUMENTS

4,772,989 A * 9/1988 Haraden 362/80
5,664,870 A * 9/1997 Uchida et al. 362/61
5,855,430 A * 1/1999 Coughaine et al. 362/519
5,971,814 A * 10/1999 Boyd et al. 439/699.2

The front view contains no ornamentality and is omitted. The broken line showing is for illustrative purposes only and forms no part of the claimed design.

1 Claim, 6 Drawing Sheets



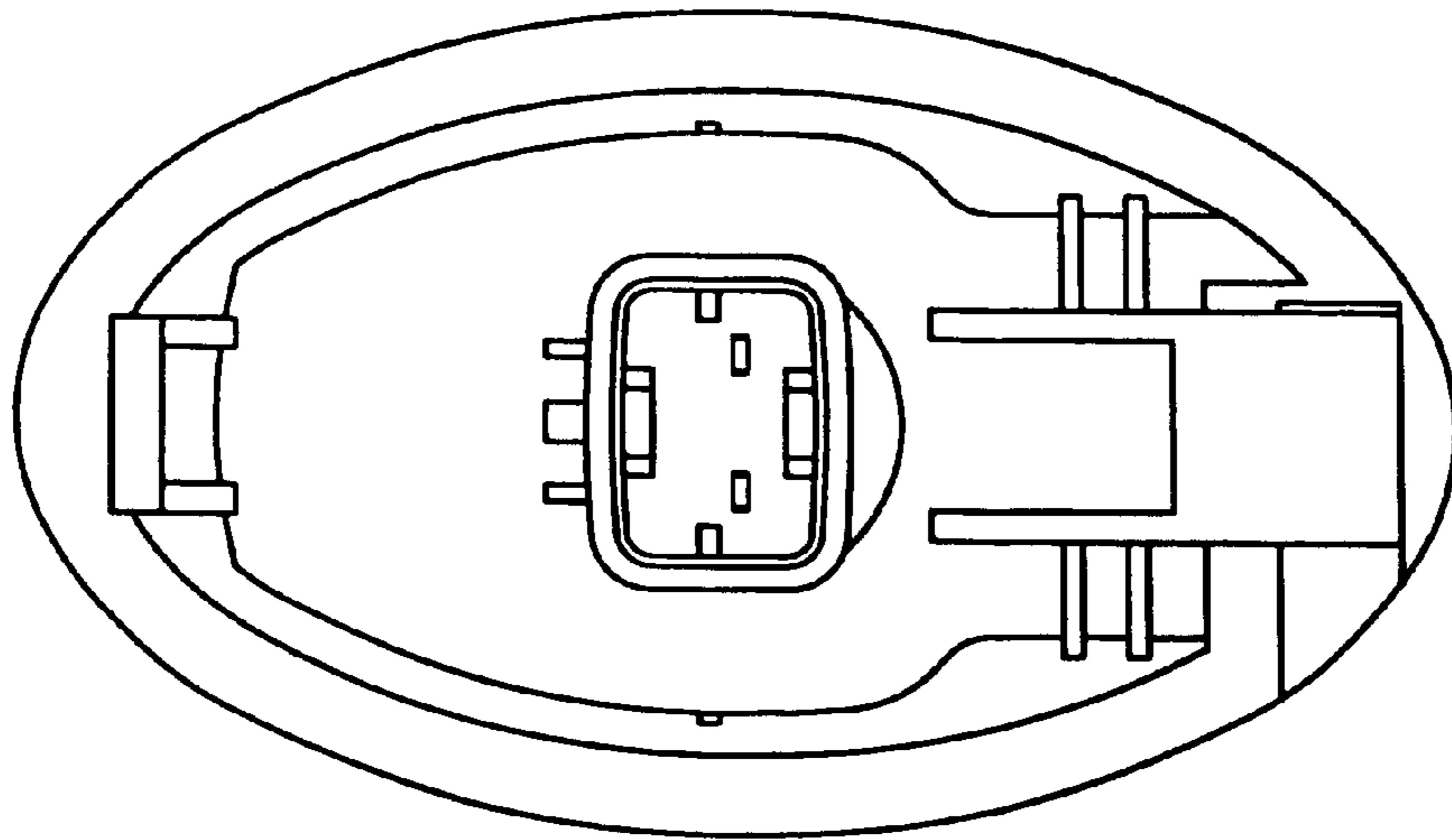


Fig. 1

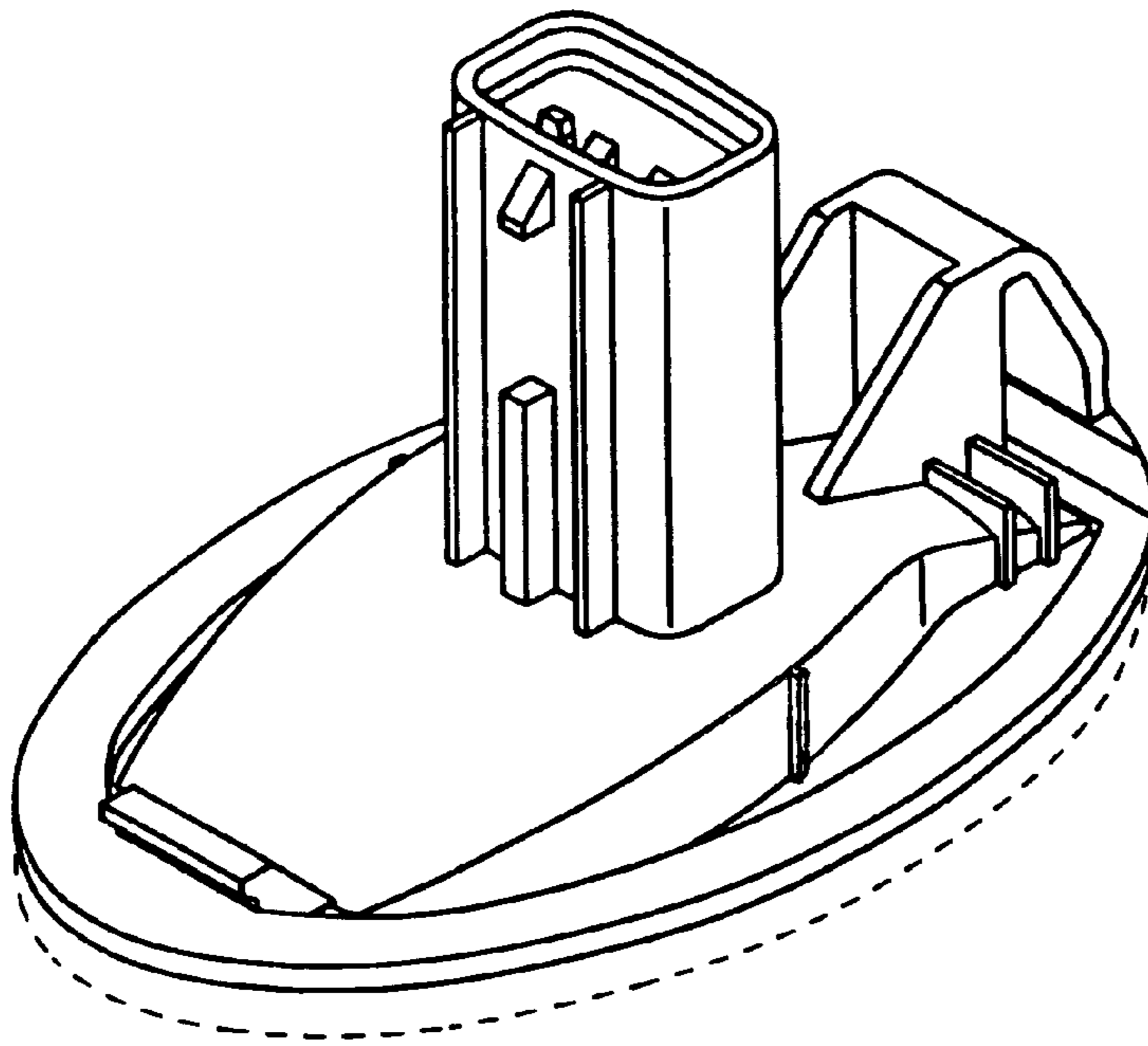


Fig. 2

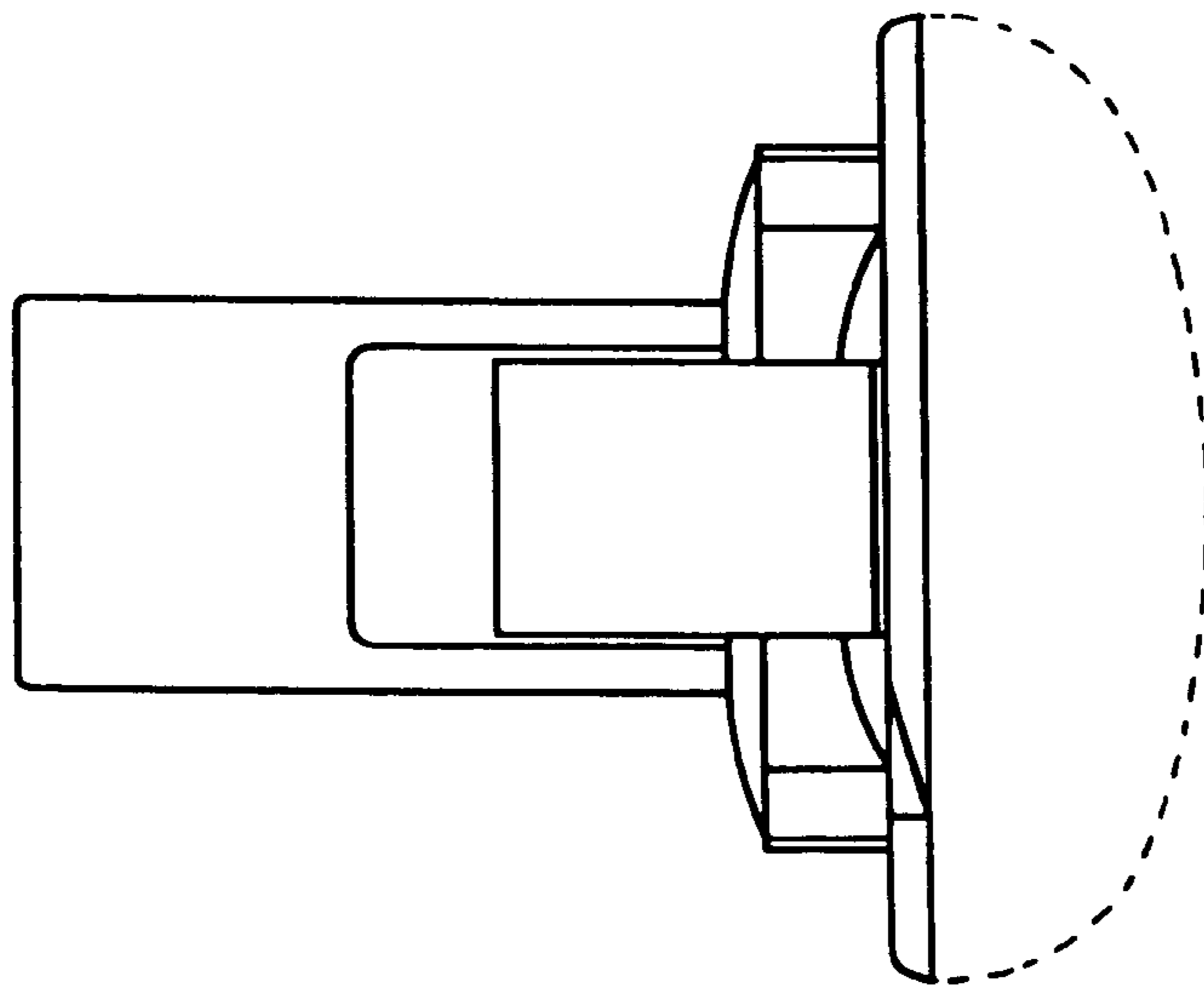


Fig. 3

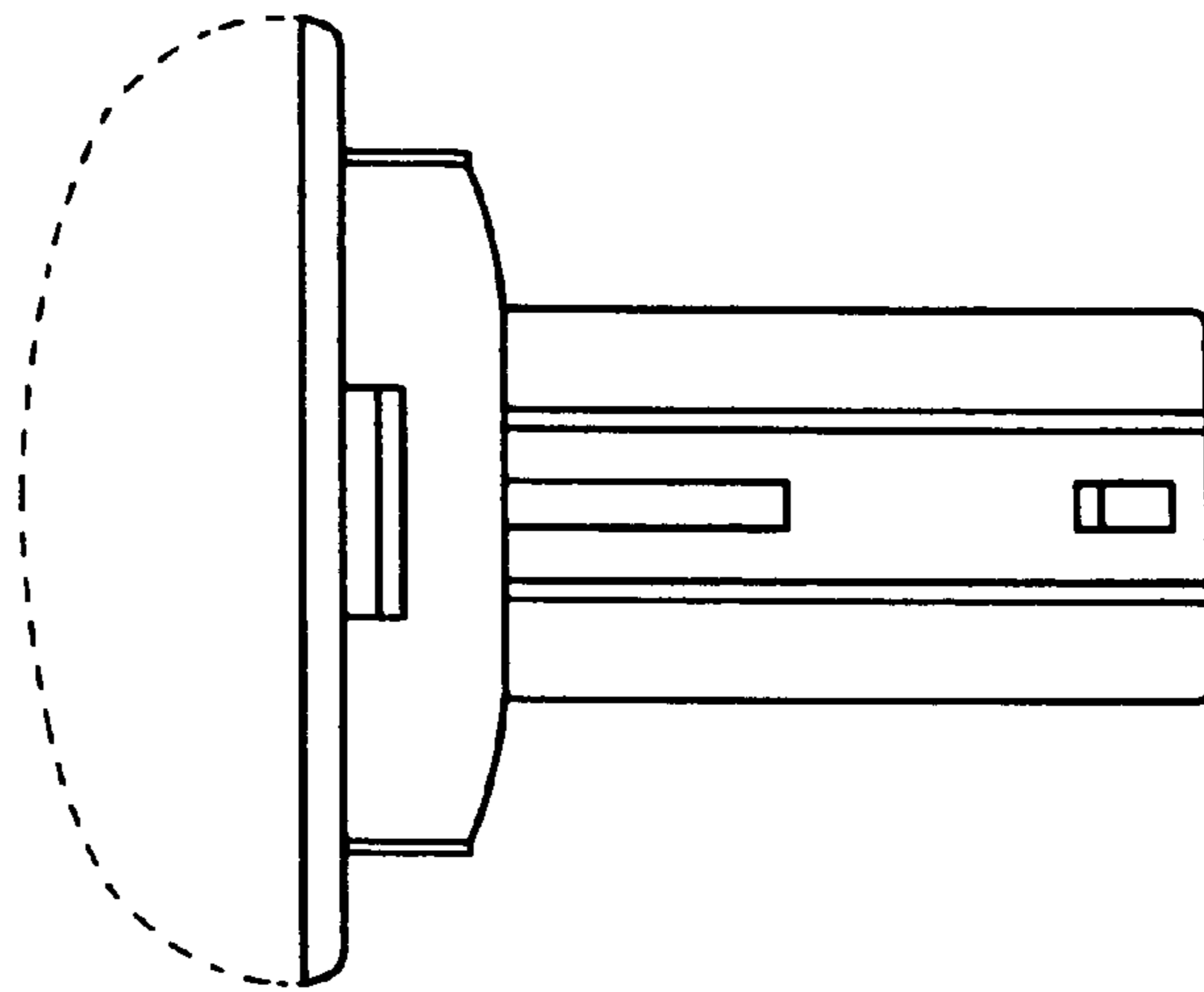


Fig. 4

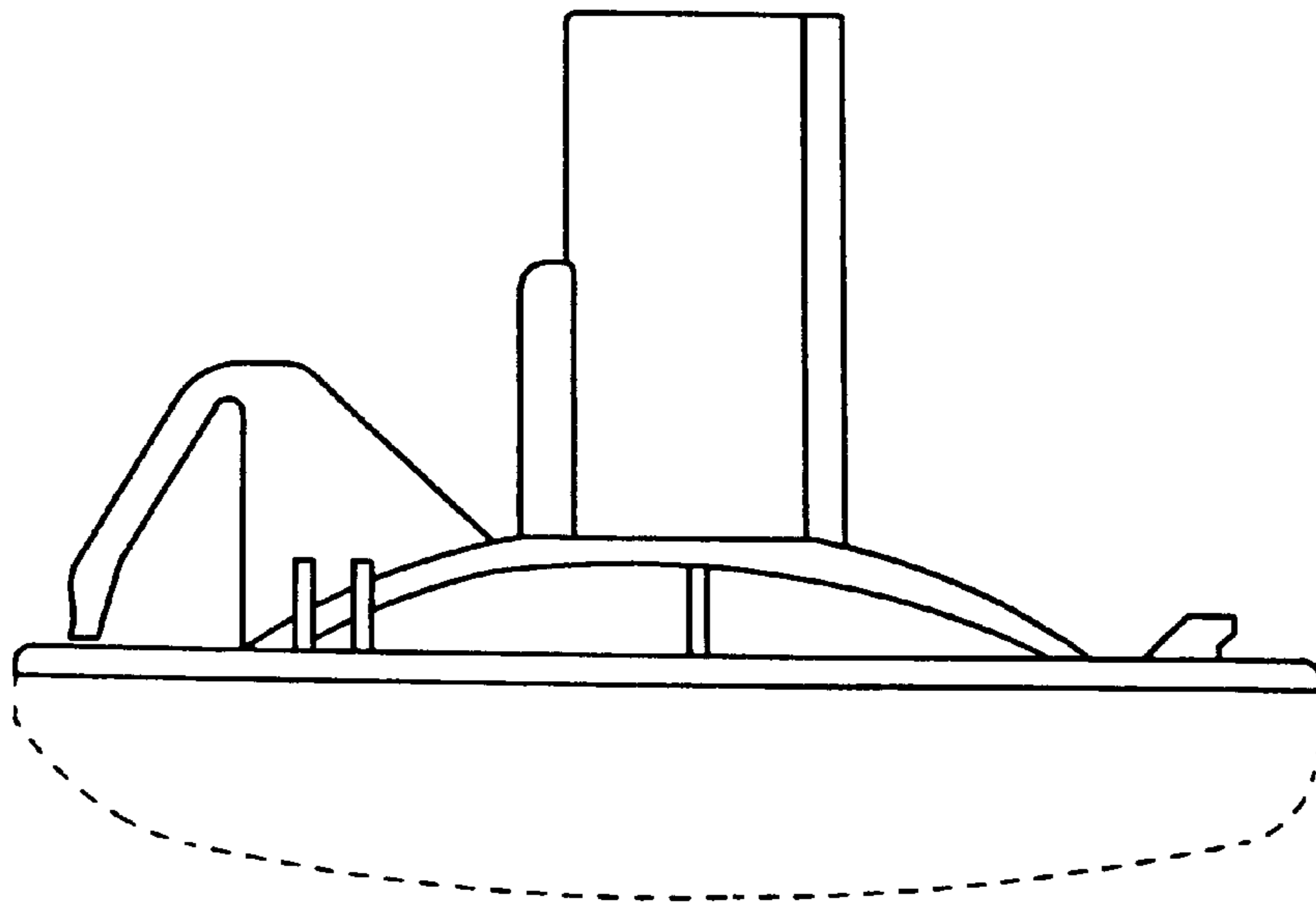


Fig. 5

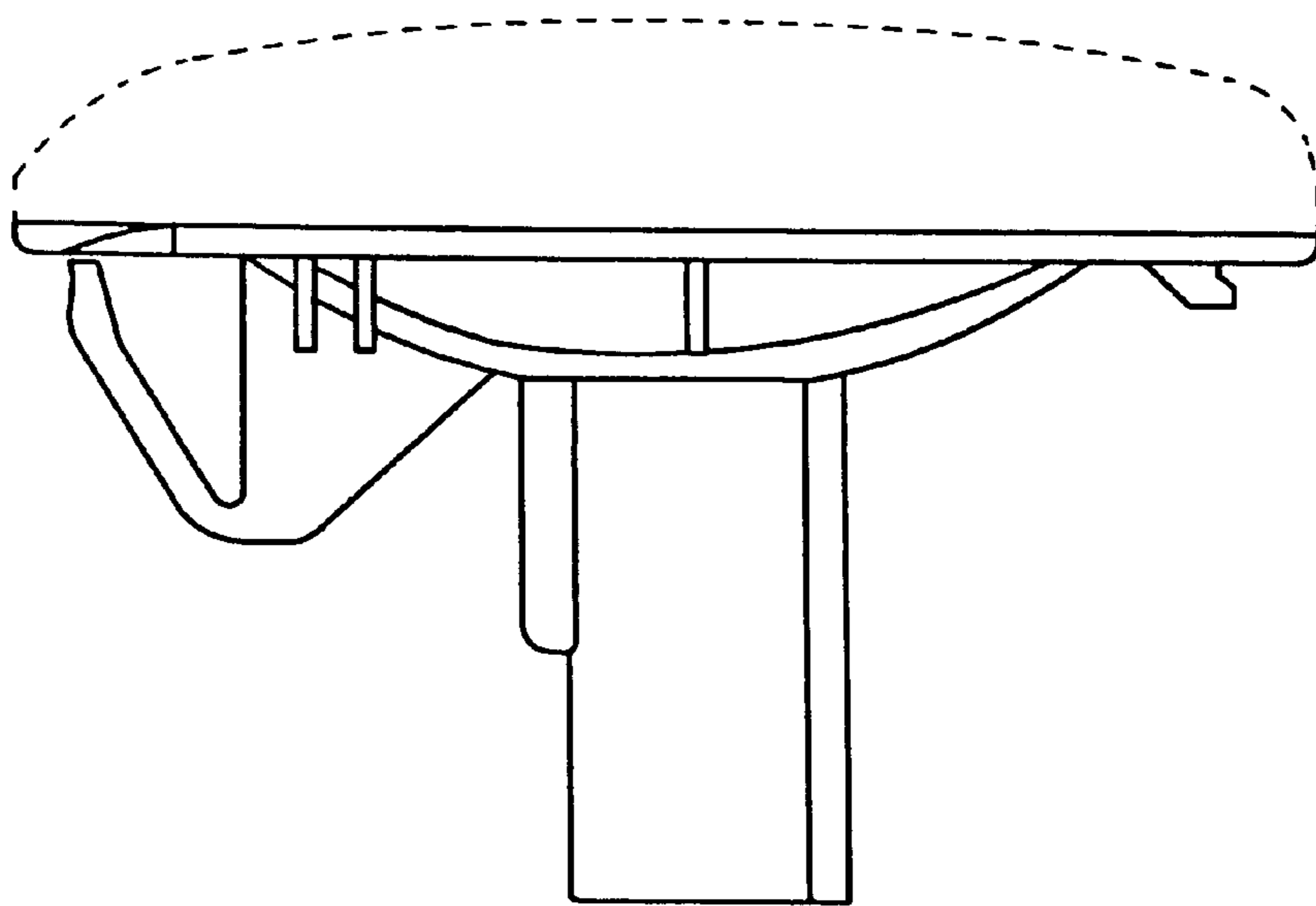


Fig. 6