



US00D479702S

(12) **United States Design Patent** (10) **Patent No.:** **US D479,702 S**
Cassell et al. (45) **Date of Patent:** **** Sep. 16, 2003**

(54) **PERSONAL WATERCRAFT**

(75) Inventors: **Shannon Cassell**, Palm Bay, FL (US);
Tom Bucaccio, Grant, FL (US); **Kirk Agüero**, Indialantic, FL (US); **Greg Martin**, Melbourne Beach, FL (US);
Rick Adamczyk, St. Cloud, FL (US)

(73) Assignee: **Bombardier Inc.**, Valcourt (CA)

(**) Term: **14 Years**

(21) Appl. No.: **29/161,065**

(22) Filed: **May 23, 2002**

(51) **LOC (7) Cl.** **12-06**

(52) **U.S. Cl.** **D12/307**

(58) **Field of Search** **D12/300, 307;**
114/55.54, 55.55, 55.57, 270-271

(56) **References Cited**

U.S. PATENT DOCUMENTS

D340,221 S	*	10/1993	Krieger et al.	D12/307
D342,052 S	*	12/1993	Schoell et al.	D12/307
D343,160 S	*	1/1994	LaPointe	D12/307
D359,469 S	*	6/1995	Yoshida et al.	D12/307

OTHER PUBLICATIONS

Carver Yachts Catalog, no page number, personal watercraft located at left, 1998.*

* cited by examiner

Primary Examiner—Holly Baynham

(74) *Attorney, Agent, or Firm*—Pillsbury Winthrop LLP

(57) **CLAIM**

The ornamental design for a personal watercraft, as shown and described.

DESCRIPTION

FIG. 1 is a perspective illustration, from the front and right side, of the personal watercraft of our design;

FIG. 2 is a front view thereof;

FIG. 3 is a rear view thereof;

FIG. 4 is a left side view thereof;

FIG. 5 is a right side view thereof;

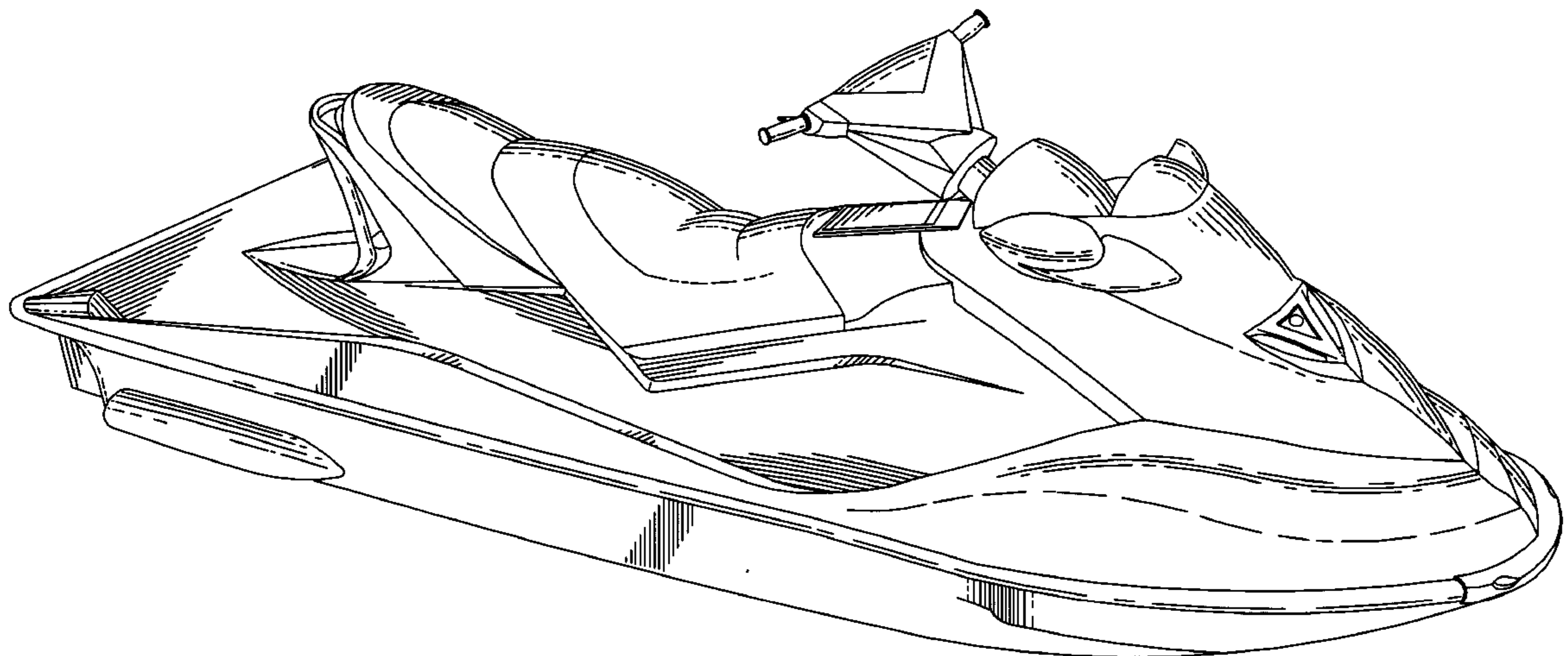
FIG. 6 is a top view thereof; and,

FIG. 7 is a bottom view thereof.

Where included, broken lines showing environment or structure are for illustrative purposes only and form no part of the claimed design.

The omission of a view indicates that the omitted view is plain and unornamented.

1 Claim, 6 Drawing Sheets



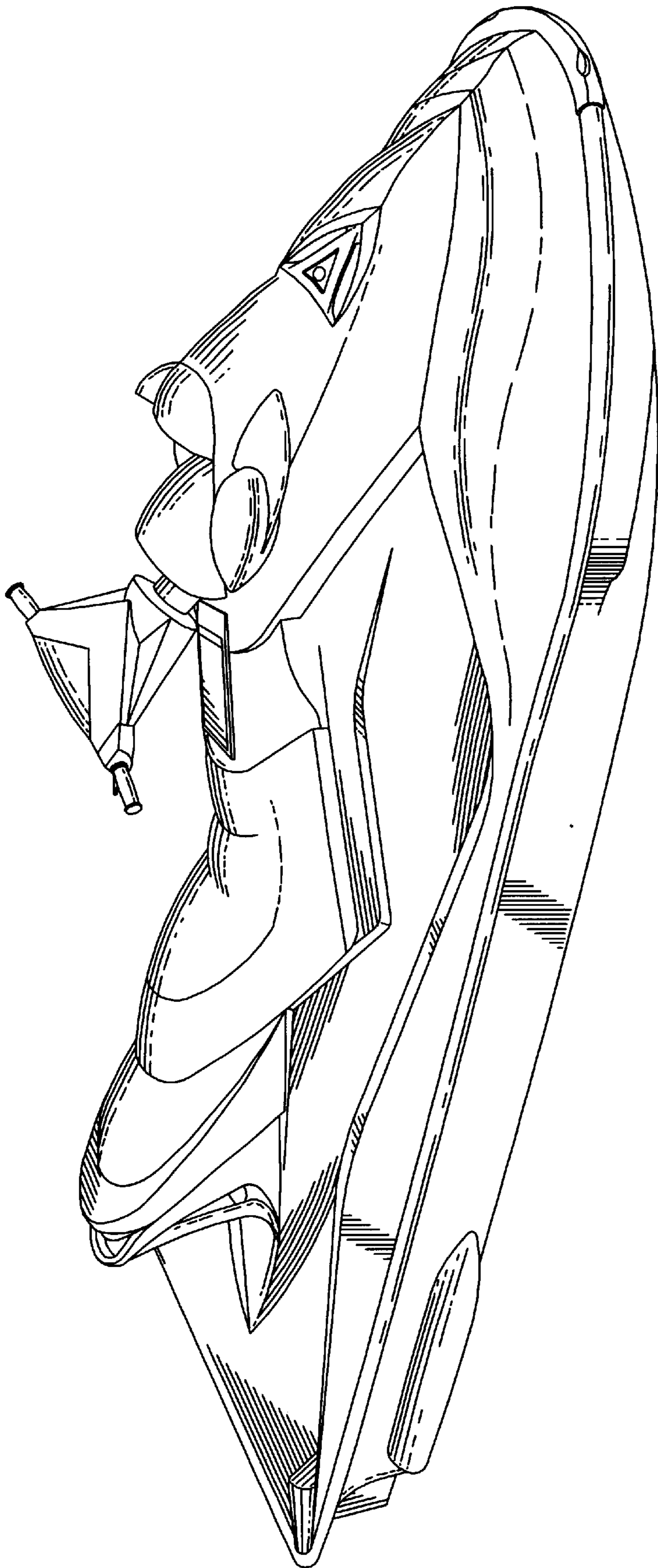


FIG. 1

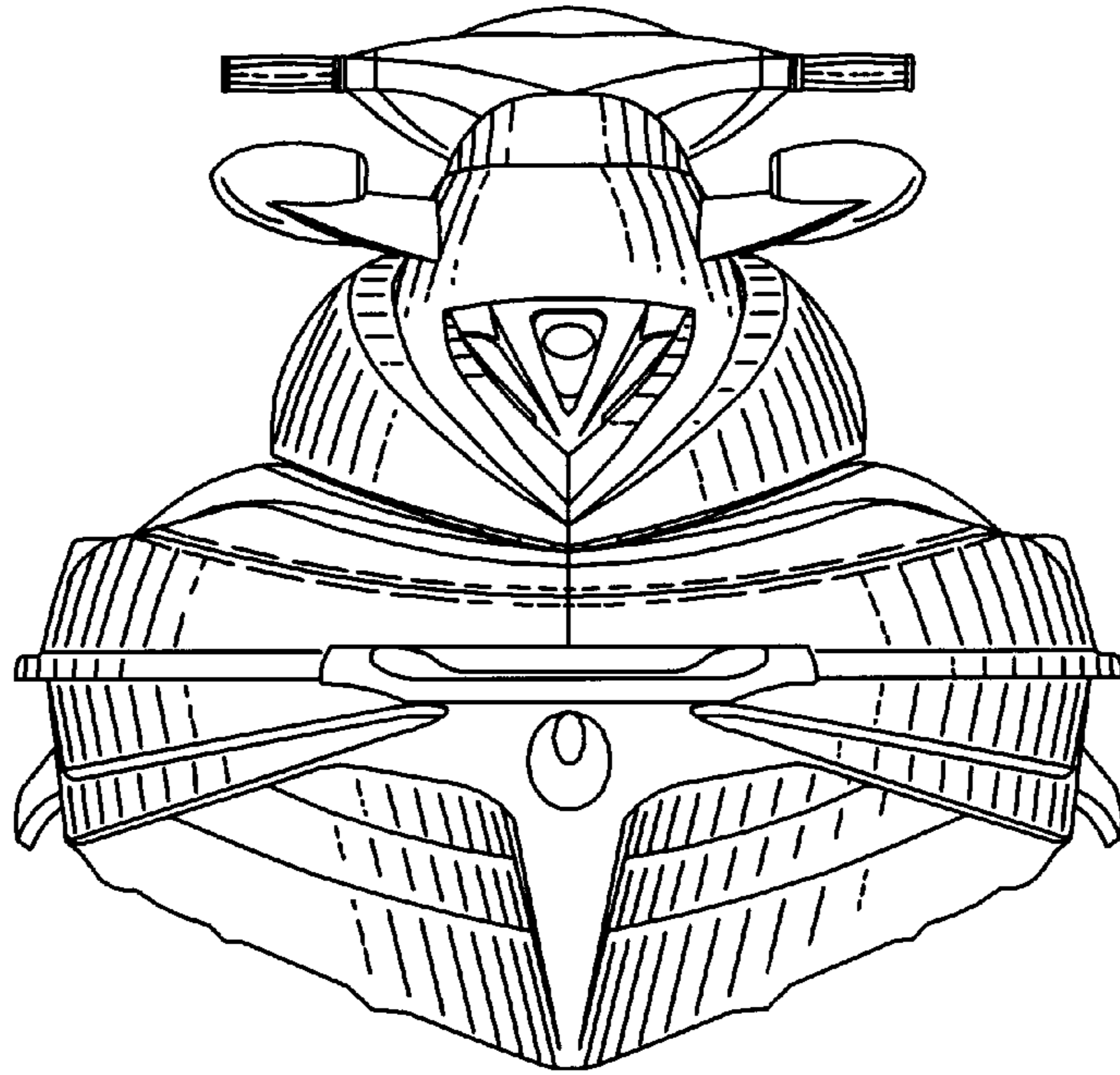


FIG. 2

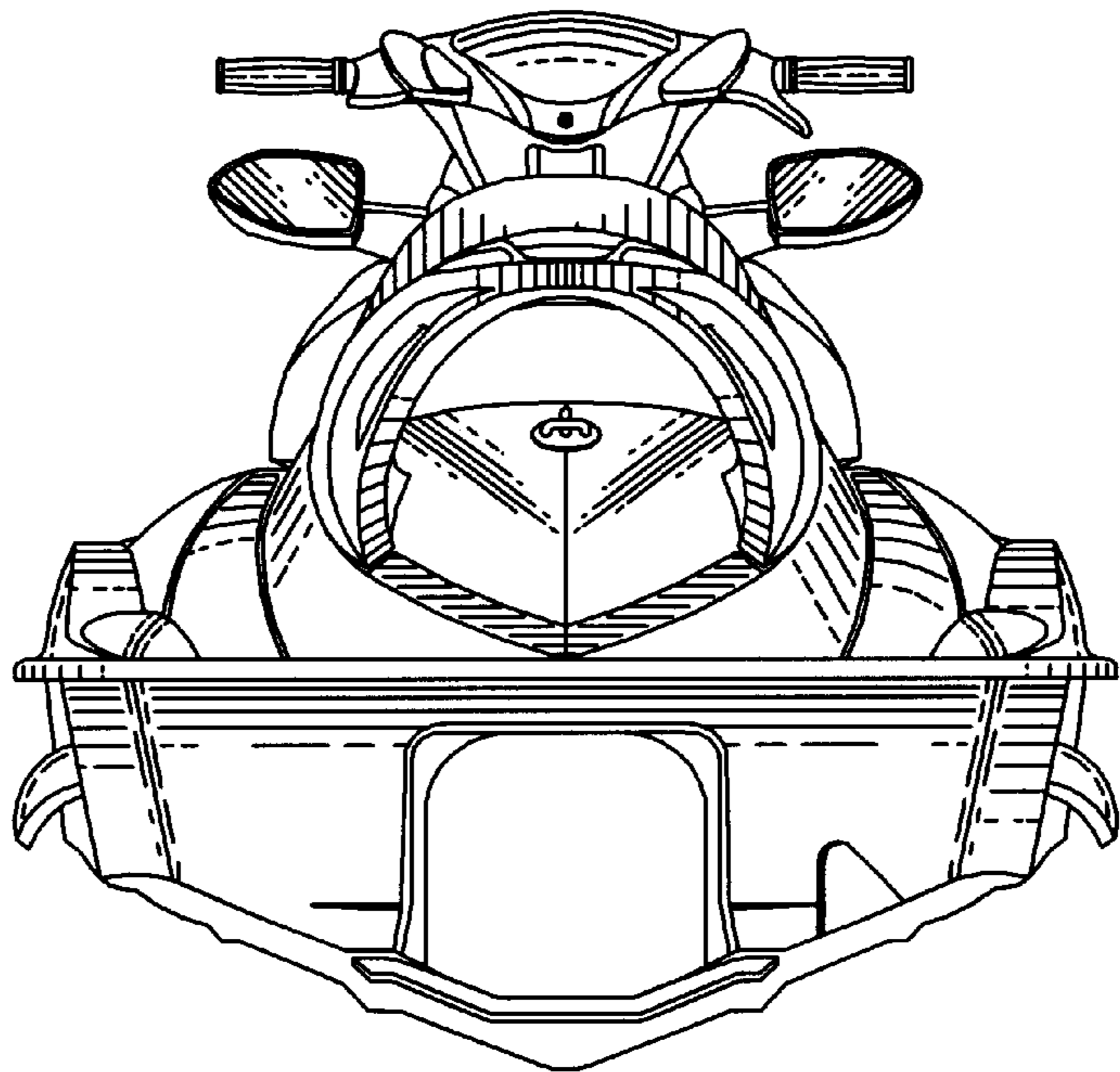


FIG. 3

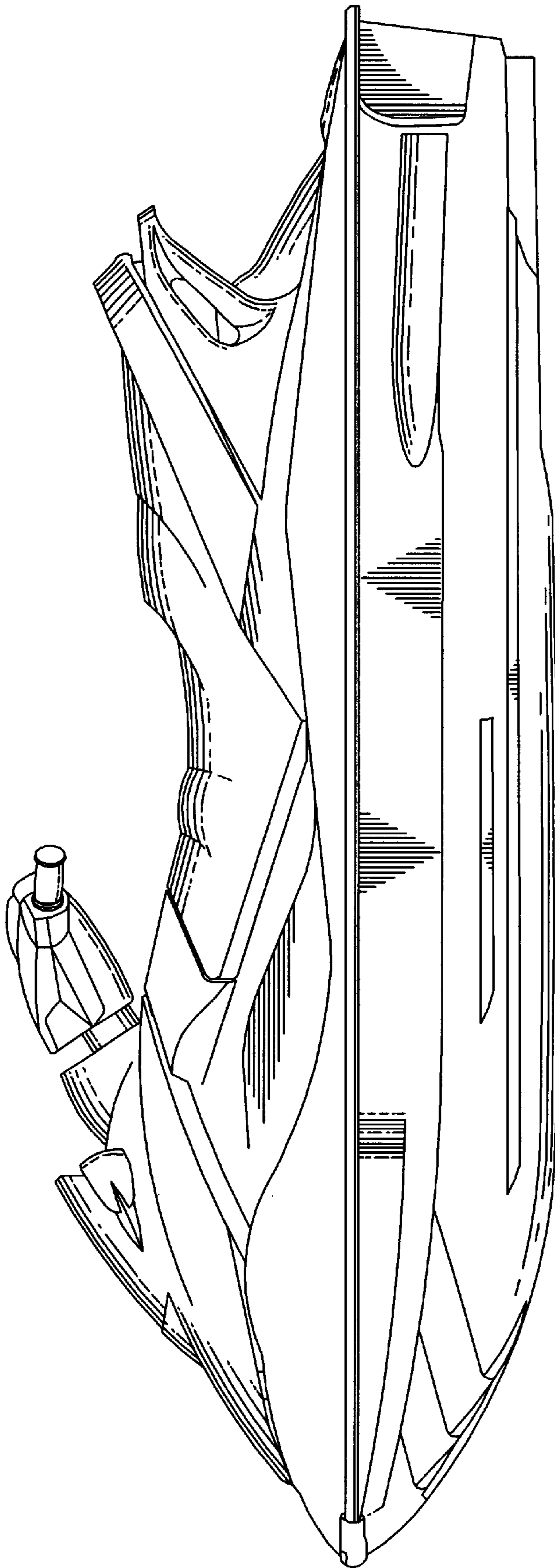


FIG. 4

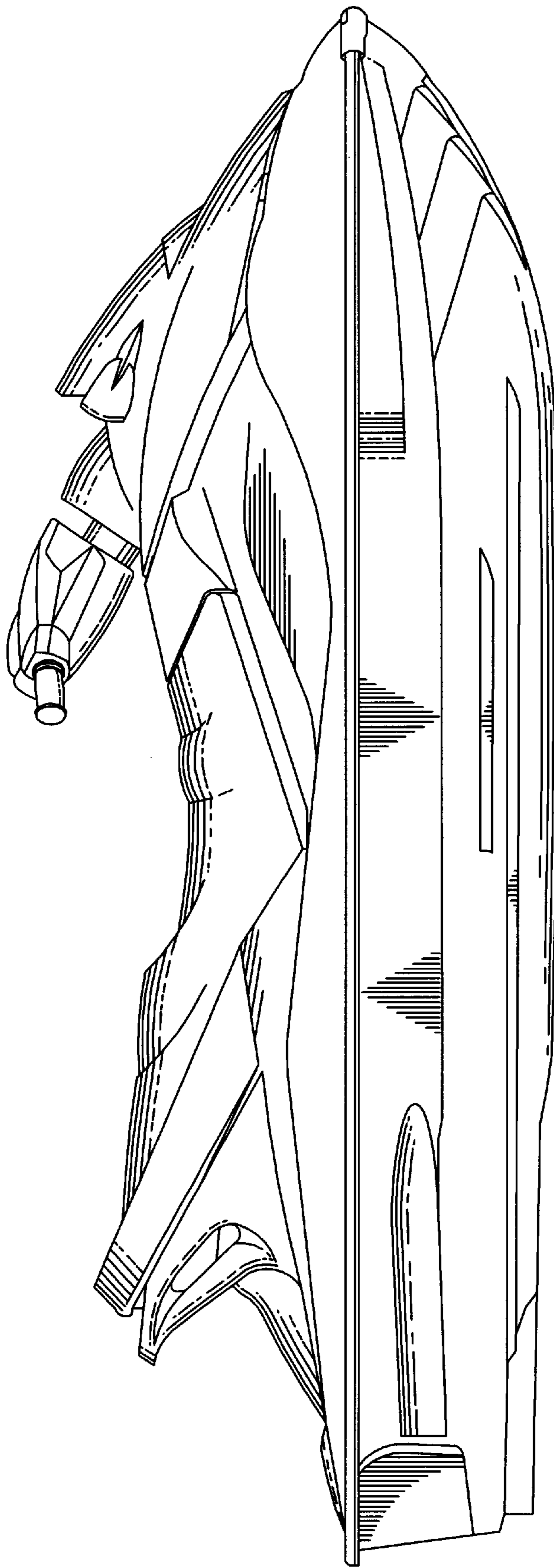


FIG. 5

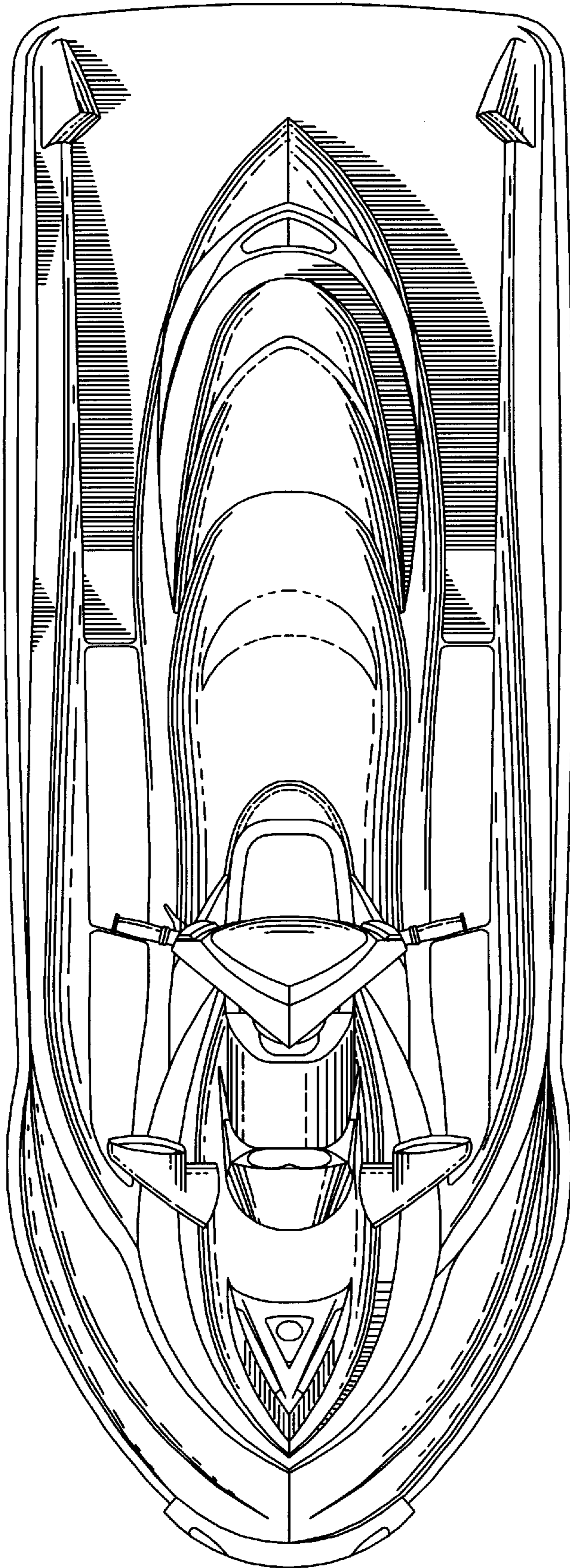


FIG. 6

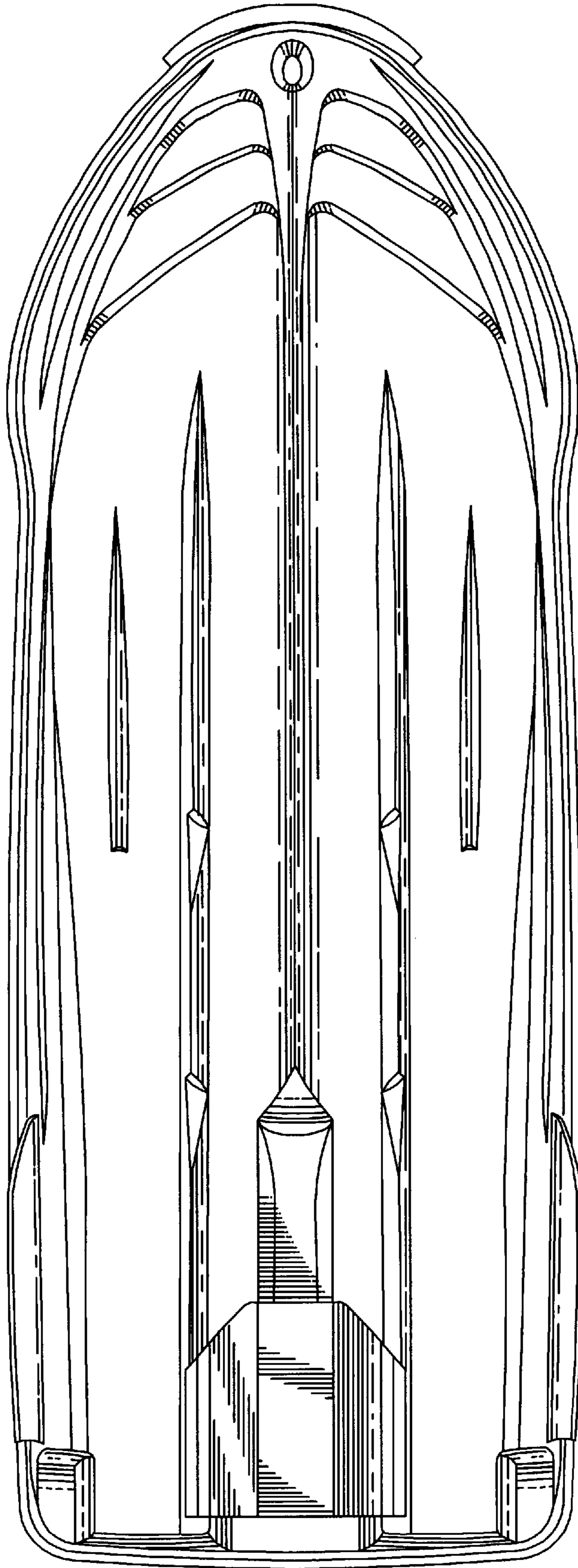


FIG. 7