



US00D479701S

(12) **United States Design Patent**
Chen

(10) **Patent No.:** **US D479,701 S**

(45) **Date of Patent:** **** Sep. 16, 2003**

(54) **WHEEL FRAME**

(75) Inventor: **Ting-Hsing Chen**, Tainan Hsien (TW)

(73) Assignee: **Far Great Plastics Industrial Co., Ltd.**, Tainan Hsien (TW)

(**) Term: **14 Years**

(21) Appl. No.: **29/163,591**

(22) Filed: **Jul. 10, 2002**

(51) **LOC (7) Cl.** **12-16**

(52) **U.S. Cl.** **D12/211**

(58) **Field of Search** D12/204-211,
D12/114; 301/37.101, 64.101, 65

(56) **References Cited**

U.S. PATENT DOCUMENTS

D33,141 S * 8/1900 Conner D12/211
D44,318 S * 7/1913 Moore D12/211
D52,687 S * 11/1918 West D12/211

D243,169 S * 1/1977 Suzuki et al. D12/205
D422,531 S * 4/2000 Courtemanche D12/204 X
D437,277 S * 2/2001 Kracke D12/209

* cited by examiner

Primary Examiner—Stacia Cadmus

(74) *Attorney, Agent, or Firm*—Rosenberg, Klein & Lee

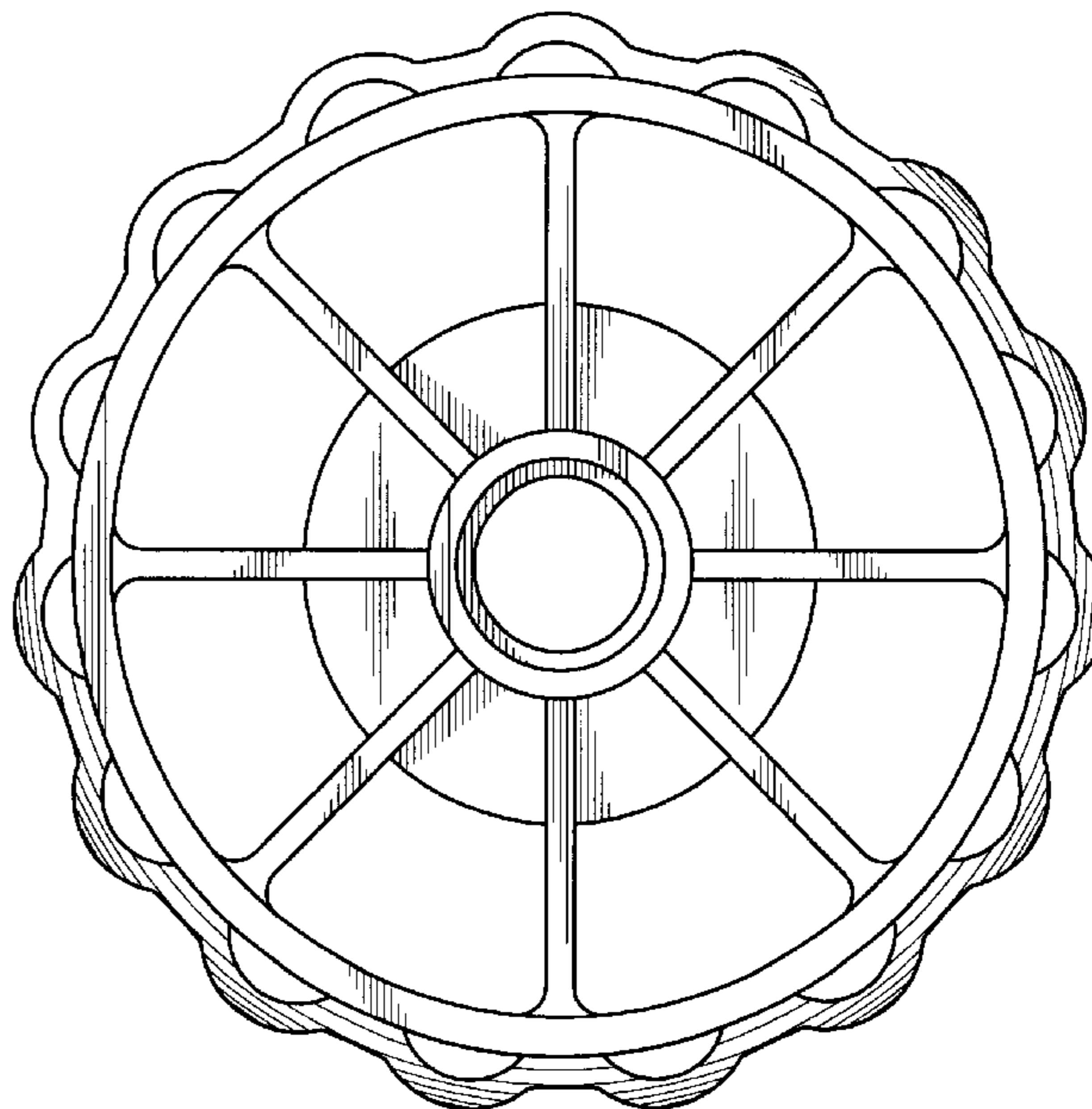
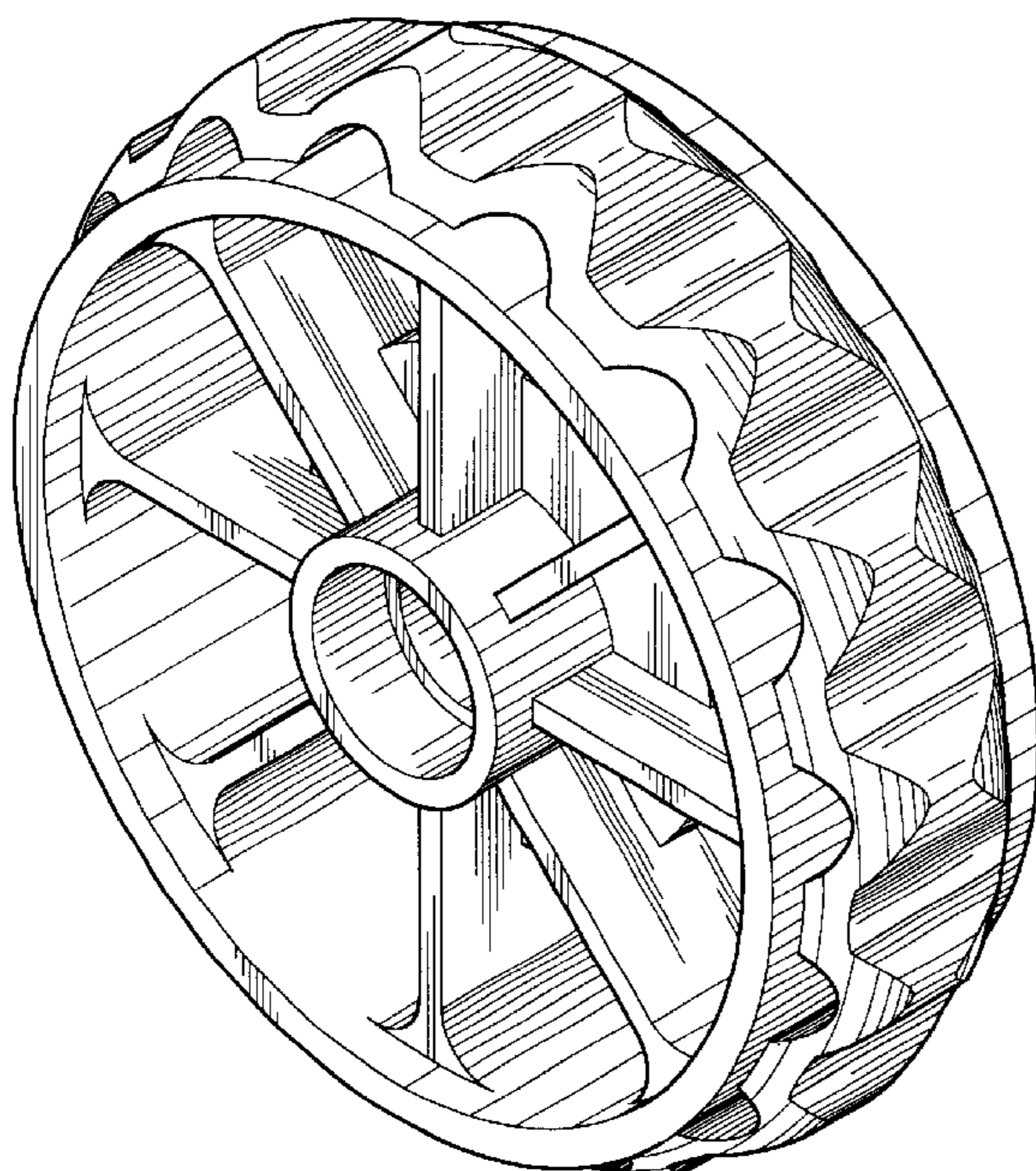
(57) **CLAIM**

The ornamental design for a wheel frame, as shown and described.

DESCRIPTION

FIG. 1 is a perspective view of a wheel frame showing my present design;
FIG. 2 is a front view thereof;
FIG. 3 is a rear view thereof;
FIG. 4 is a left view thereof;
FIG. 5 is a right view thereof;
FIG. 6 is a top plan view thereof; and,
FIG. 7 is a bottom plan view.

1 Claim, 4 Drawing Sheets



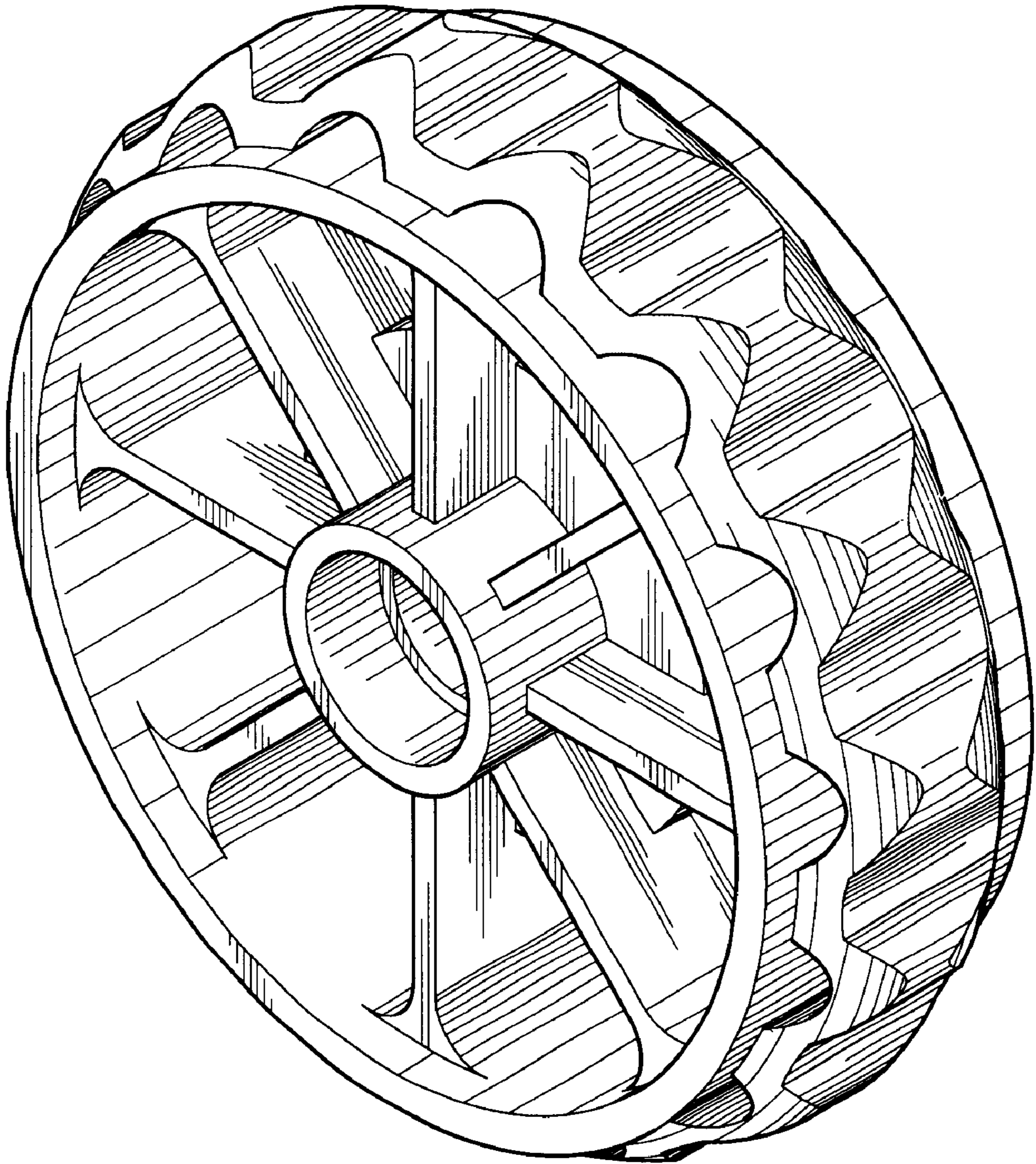


FIG. 1

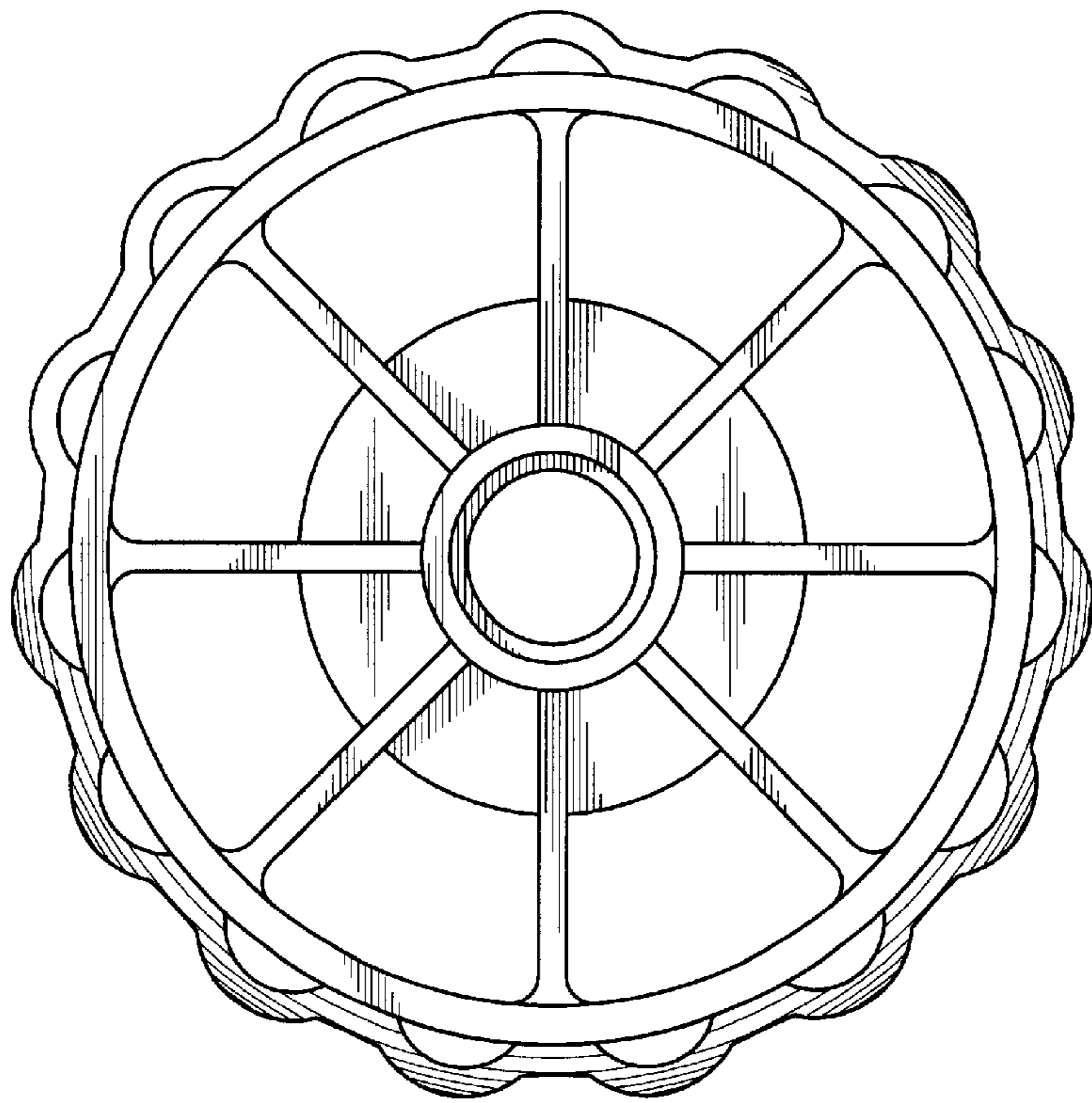


FIG. 2

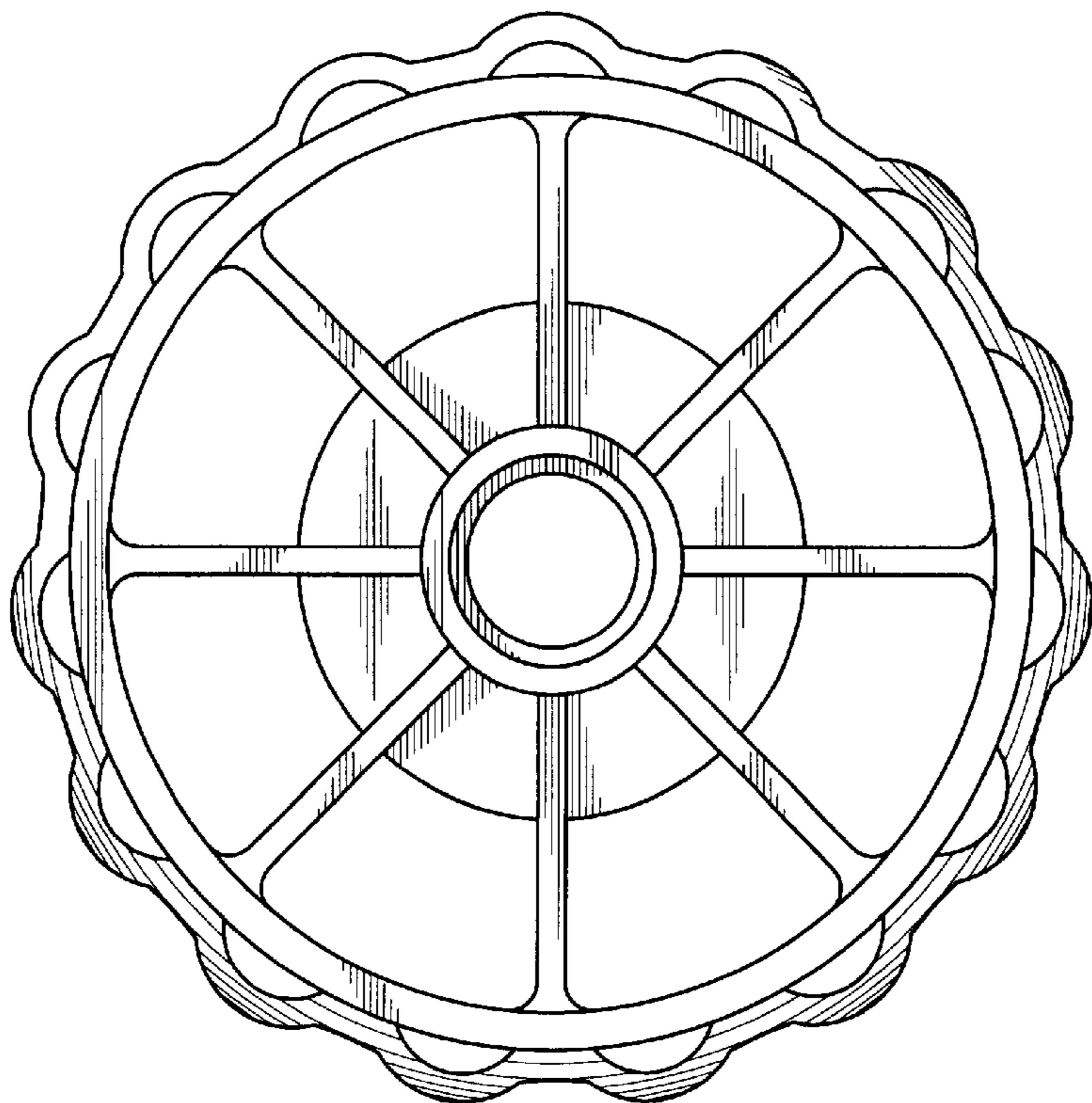


FIG. 3

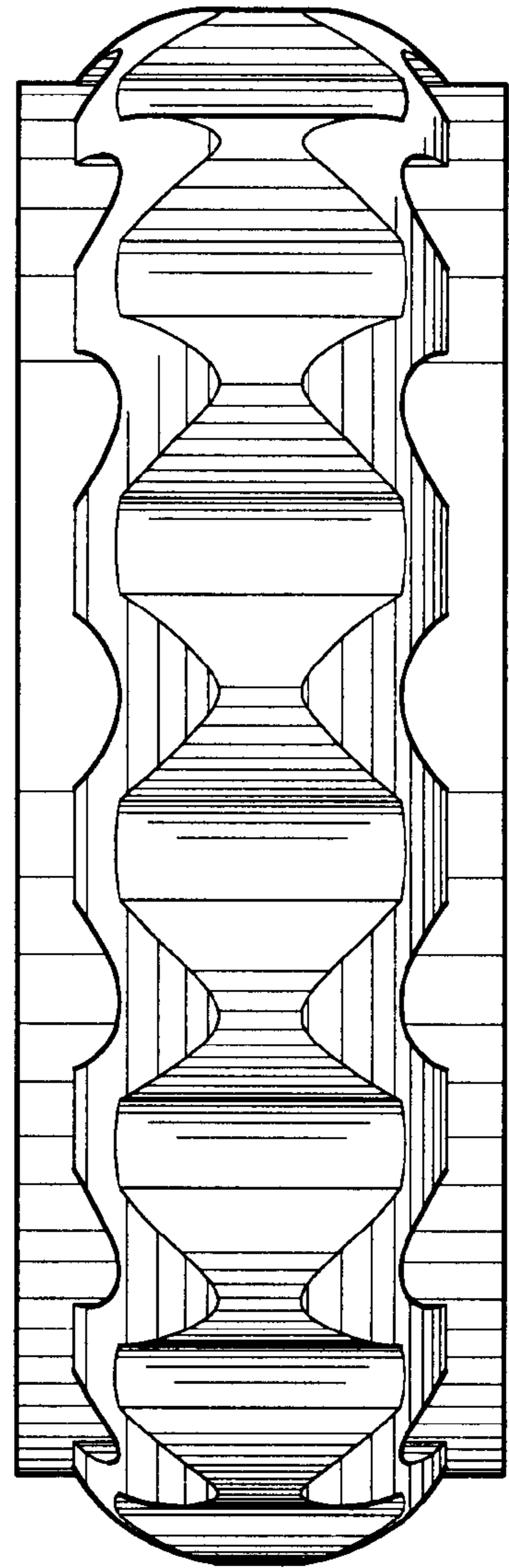
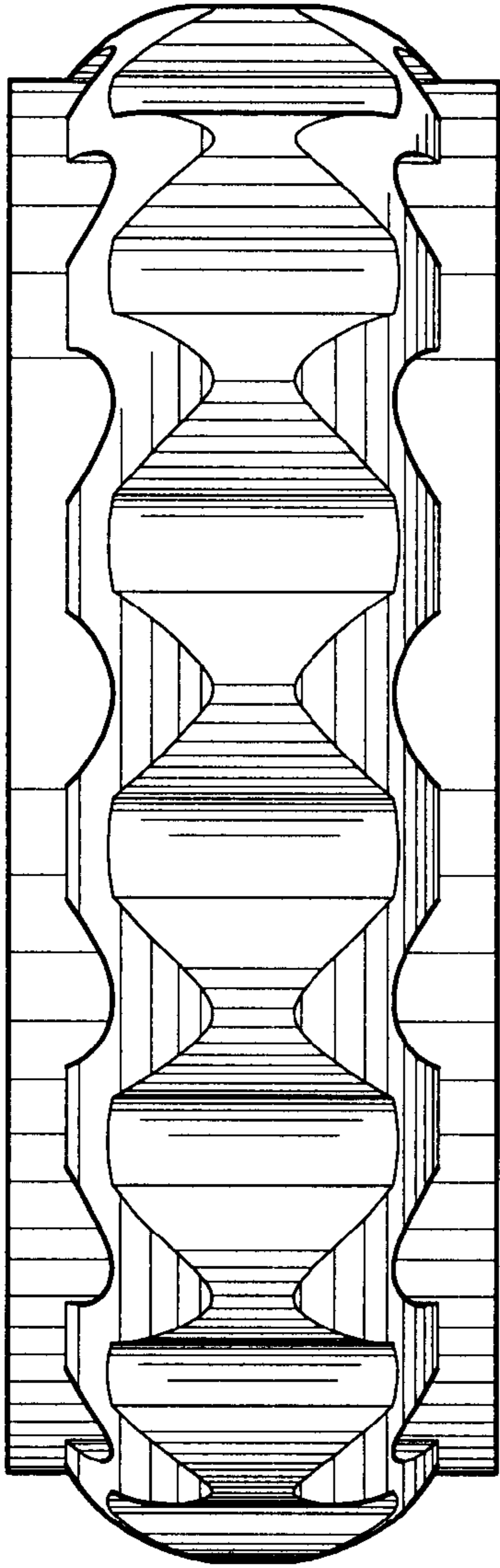


FIG. 4

FIG. 5

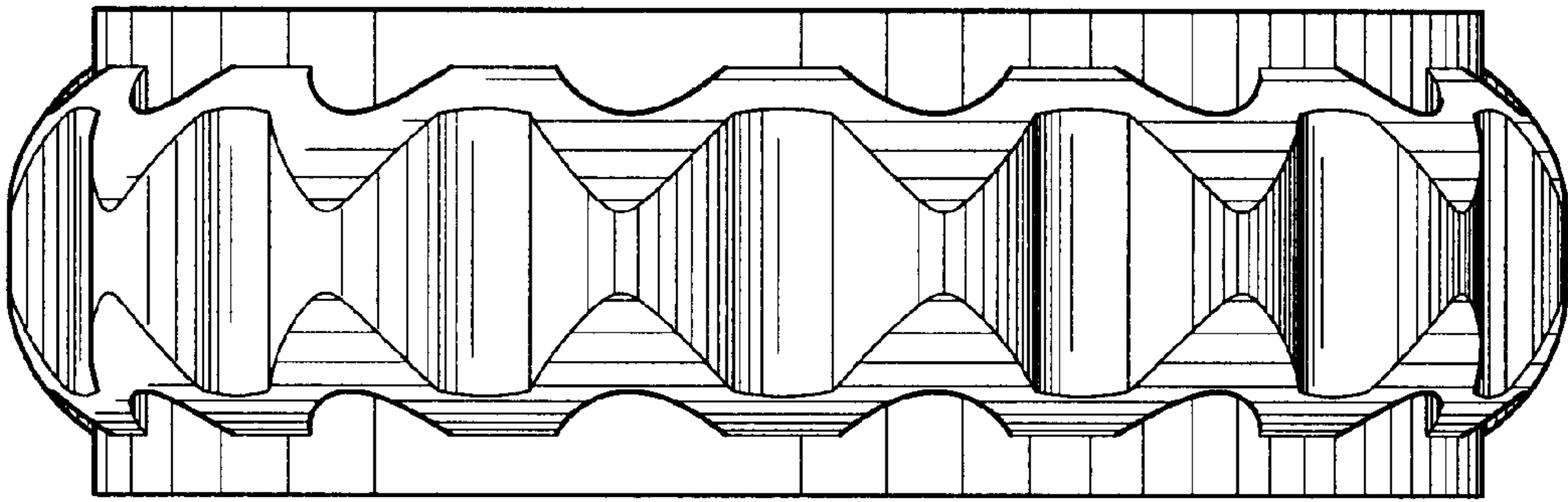


FIG. 6

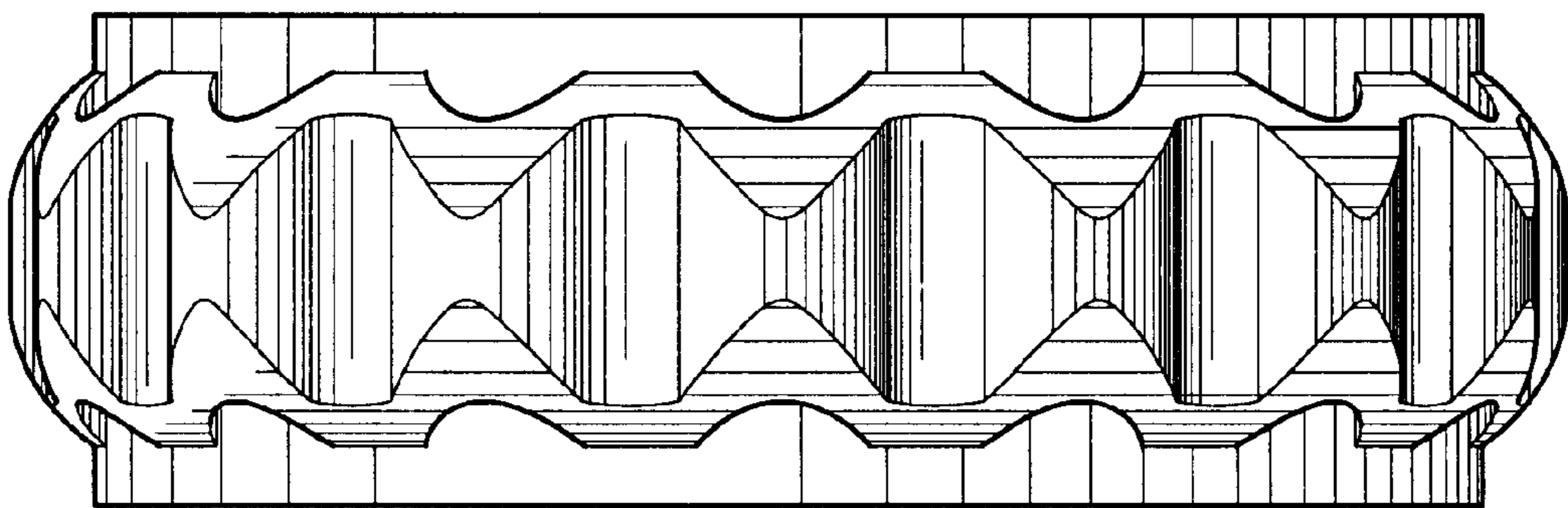


FIG. 7