



US00D479690S

(12) **United States Design Patent**
DeGross

(10) **Patent No.:** **US D479,690 S**

(45) **Date of Patent:** **** Sep. 16, 2003**

(54) **CONTAINER**

(75) **Inventor:** **Jamie W. DeGross**, Perrysburg, OH (US)

(73) **Assignee:** **Owens-Brockway Plastic Products Inc.**, Toledo, OH (US)

(**) **Term:** **14 Years**

(21) **Appl. No.:** **29/153,425**

(22) **Filed:** **Jan. 7, 2002**

(51) **LOC (7) Cl.** **09-01**

(52) **U.S. Cl.** **D9/538; D9/540**

(58) **Field of Search** D9/500, 502, 516, D9/530, 537, 538, 539, 540, 541, 542, 543, 549; 215/382-384, 396, 398, 400

(56) **References Cited**

U.S. PATENT DOCUMENTS

4,877,141 A	10/1989	Hayashi et al.	
D315,869 S	* 4/1991	Collette	D9/551
D337,520 S	* 7/1993	Krishnakumar et al.	D9/434
5,341,946 A	8/1994	Vaillencourt et al.	
D352,245 S	* 11/1994	Krishnakumar et al.	D9/538
5,472,105 A	12/1995	Krishnakumar et al.	
5,704,503 A	1/1998	Krishnakumar et al.	
D397,614 S	* 9/1998	Krishnakumar et al.	D9/538 X
D411,453 S	* 6/1999	Piccioli et al.	D9/538 X
5,908,128 A	* 6/1999	Krishnakumar et al.	215/381
6,016,932 A	* 1/2000	Gaydosh et al.	215/382

D419,882 S	* 2/2000	Bretz et al.	D9/538 X
D422,915 S	4/2000	Hestehave et al.	
6,105,800 A	8/2000	Czesak	
D434,330 S	* 11/2000	Rowe et al.	D9/538
D445,036 S	7/2001	Goettner et al.	
D463,287 S	* 9/2002	Moore et al.	D9/549
D466,021 S	* 11/2002	Thierjung et al.	D9/538

* cited by examiner

Primary Examiner—Ted Shooman
Assistant Examiner—Carol Rademaker

(57) **CLAIM**

The ornamental design for a container, as shown and described.

DESCRIPTION

FIG. 1 is a top plan view of the container according to my new design;
 FIG. 2 is a side elevational view taken from the direction of arrow #2 as shown in FIG. 1;
 FIG. 3 is a side elevational view taken from the direction of arrow #3 as shown in FIG. 1;
 FIG. 4 is a side elevational view taken from the direction of arrow #4 as shown in FIG. 1;
 FIG. 5 is a bottom plan view of the container of FIG. 1;
 FIG. 6 is a side elevational view taken from the direction of arrow #6 as shown in FIG. 1; and,
 FIG. 7 is a sectional view of the container of FIG. 2 taken along section line 7—7, shown at an enlarged scale.

1 Claim, 4 Drawing Sheets

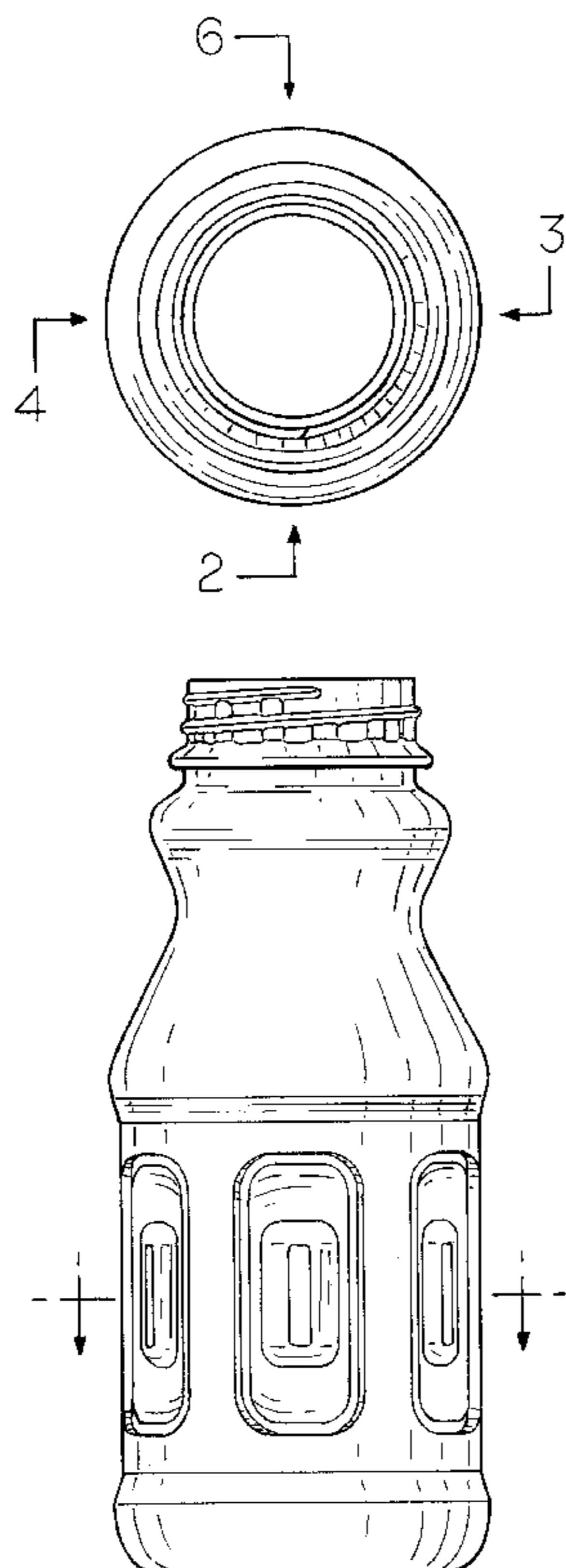


FIG. 1

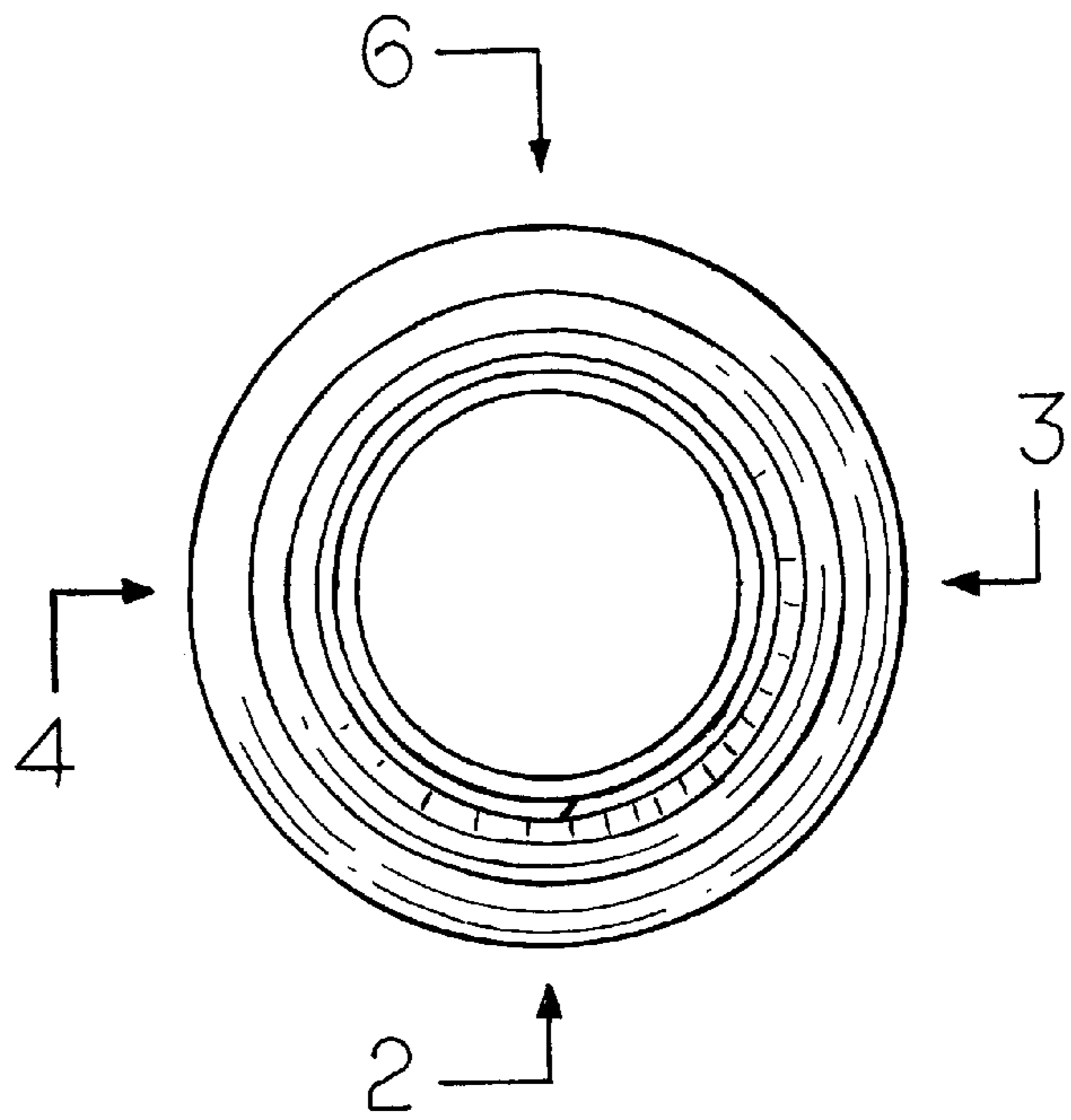
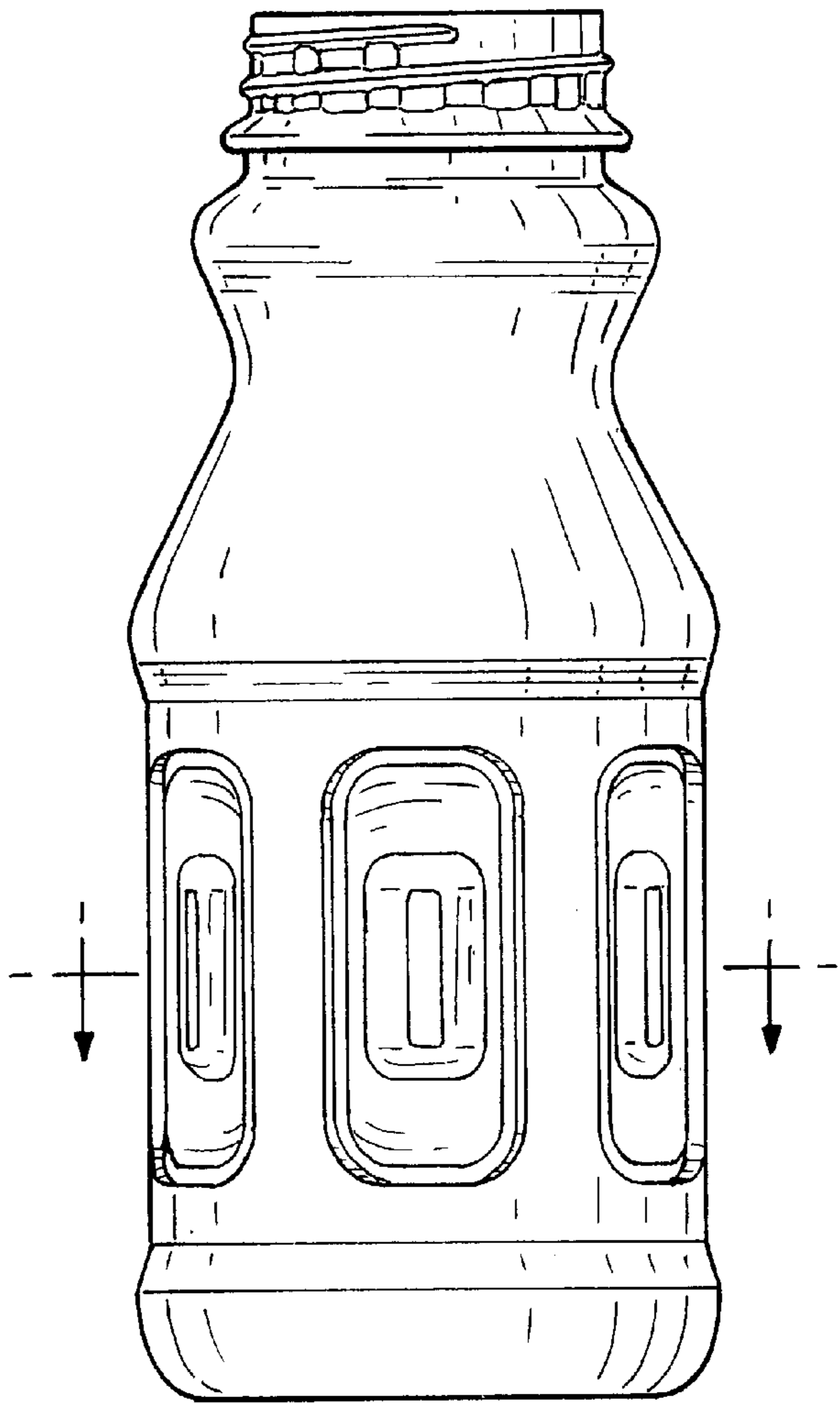


FIG. 2



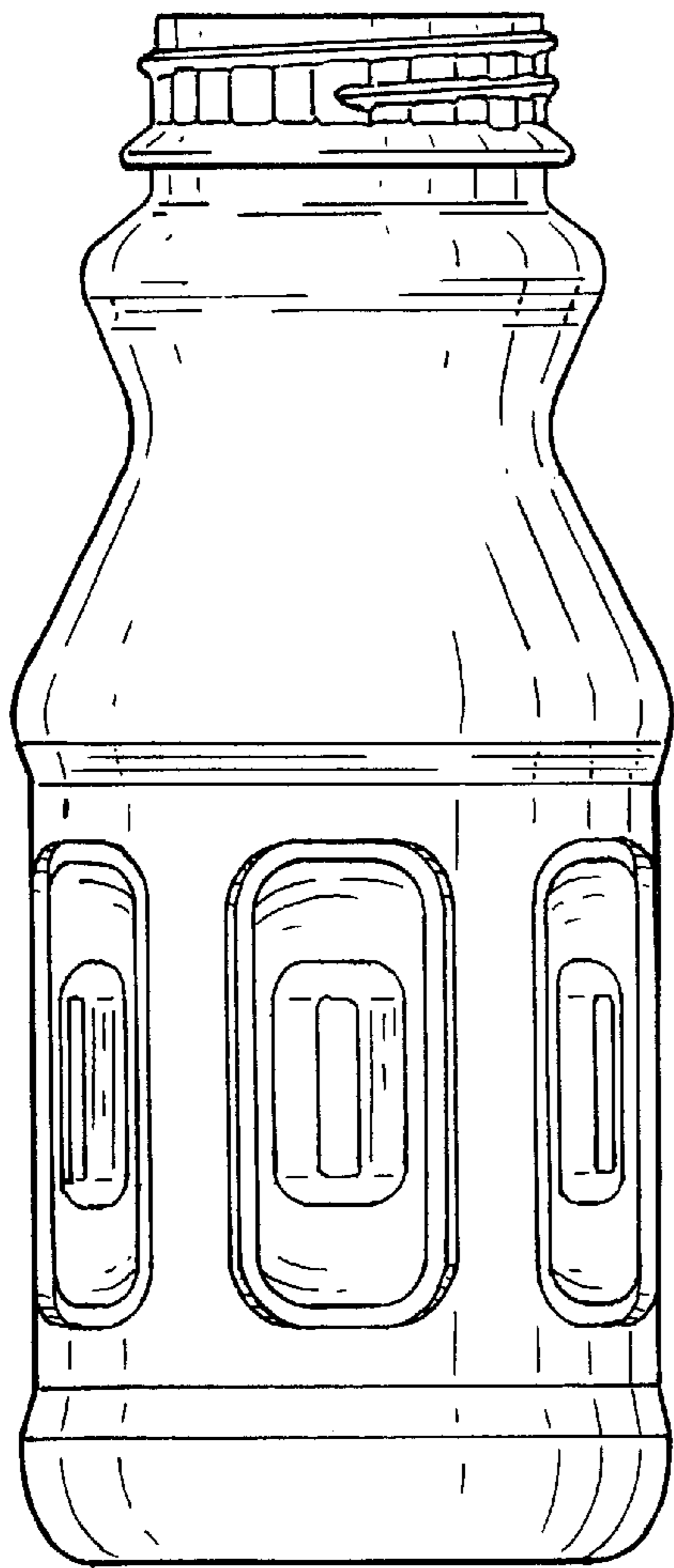


FIG. 3

FIG. 6

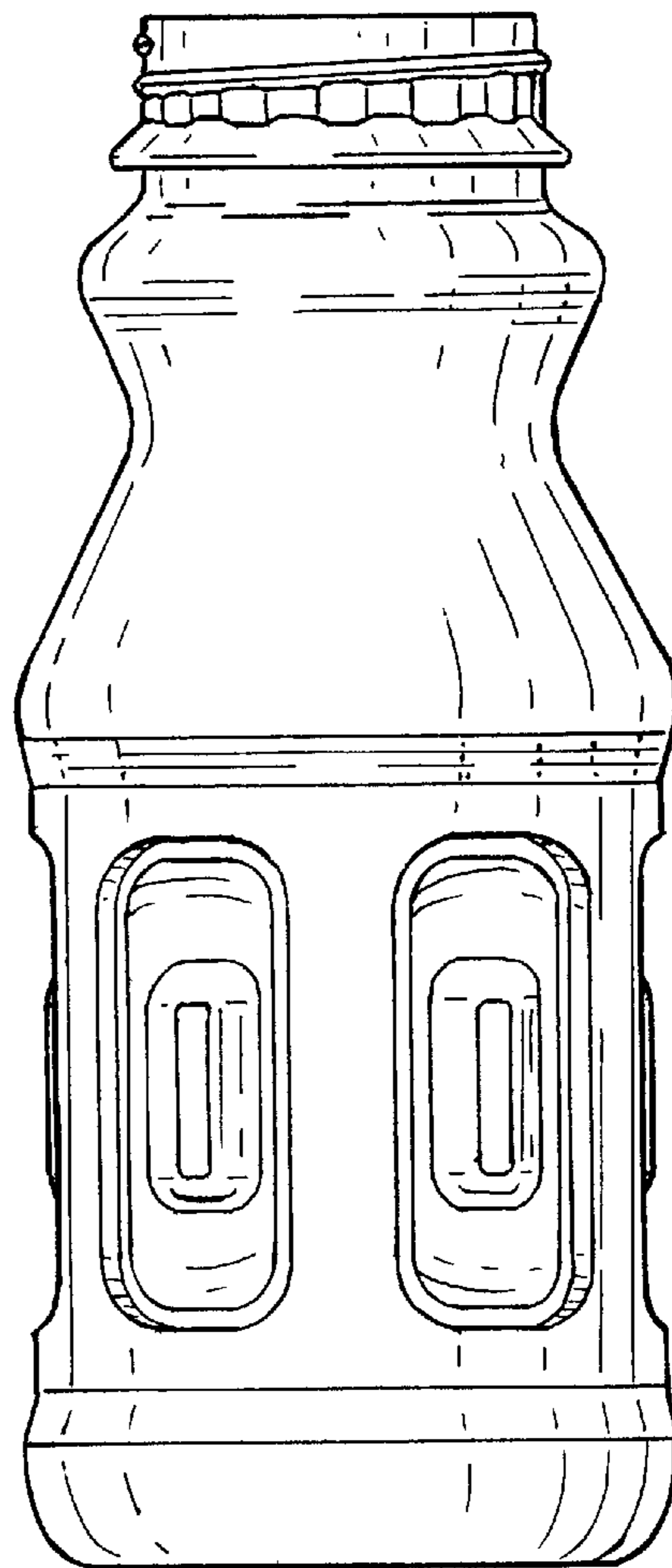


FIG. 4

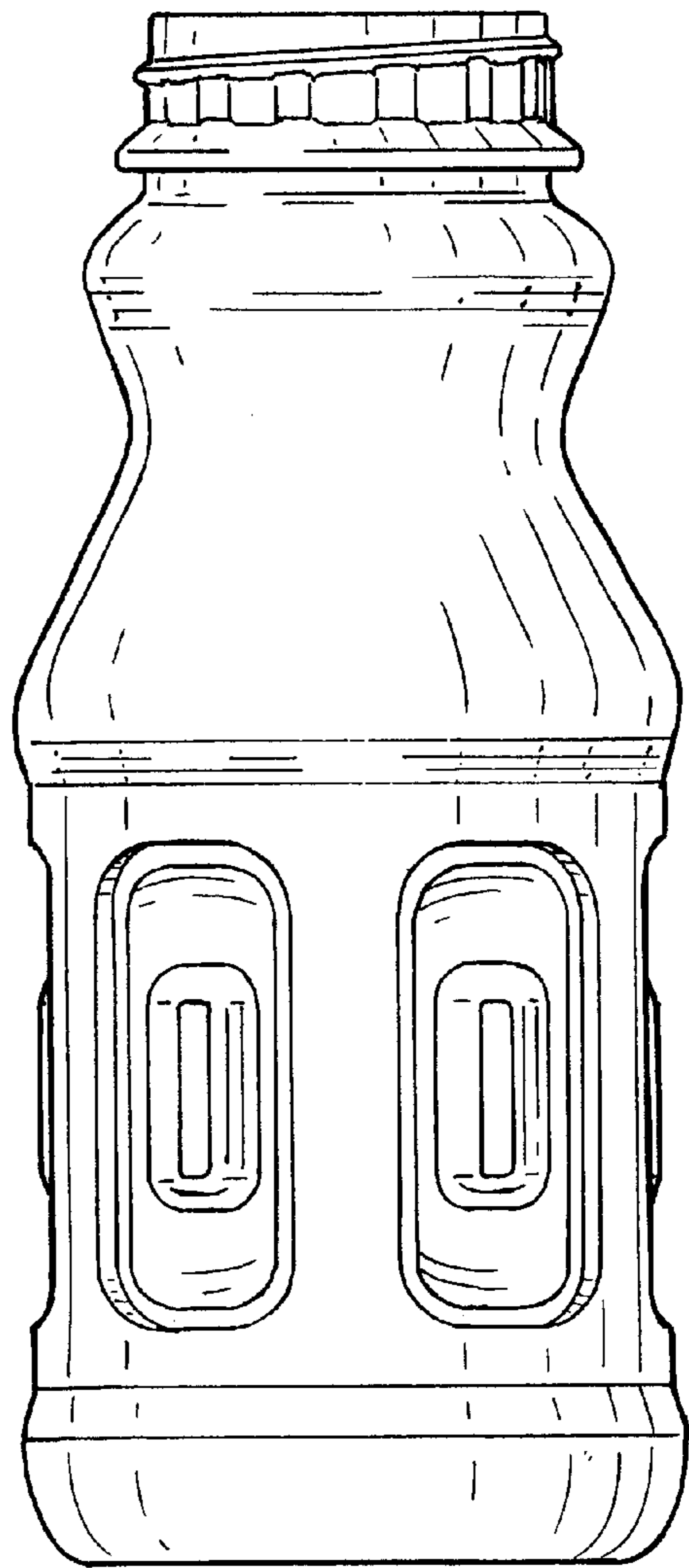
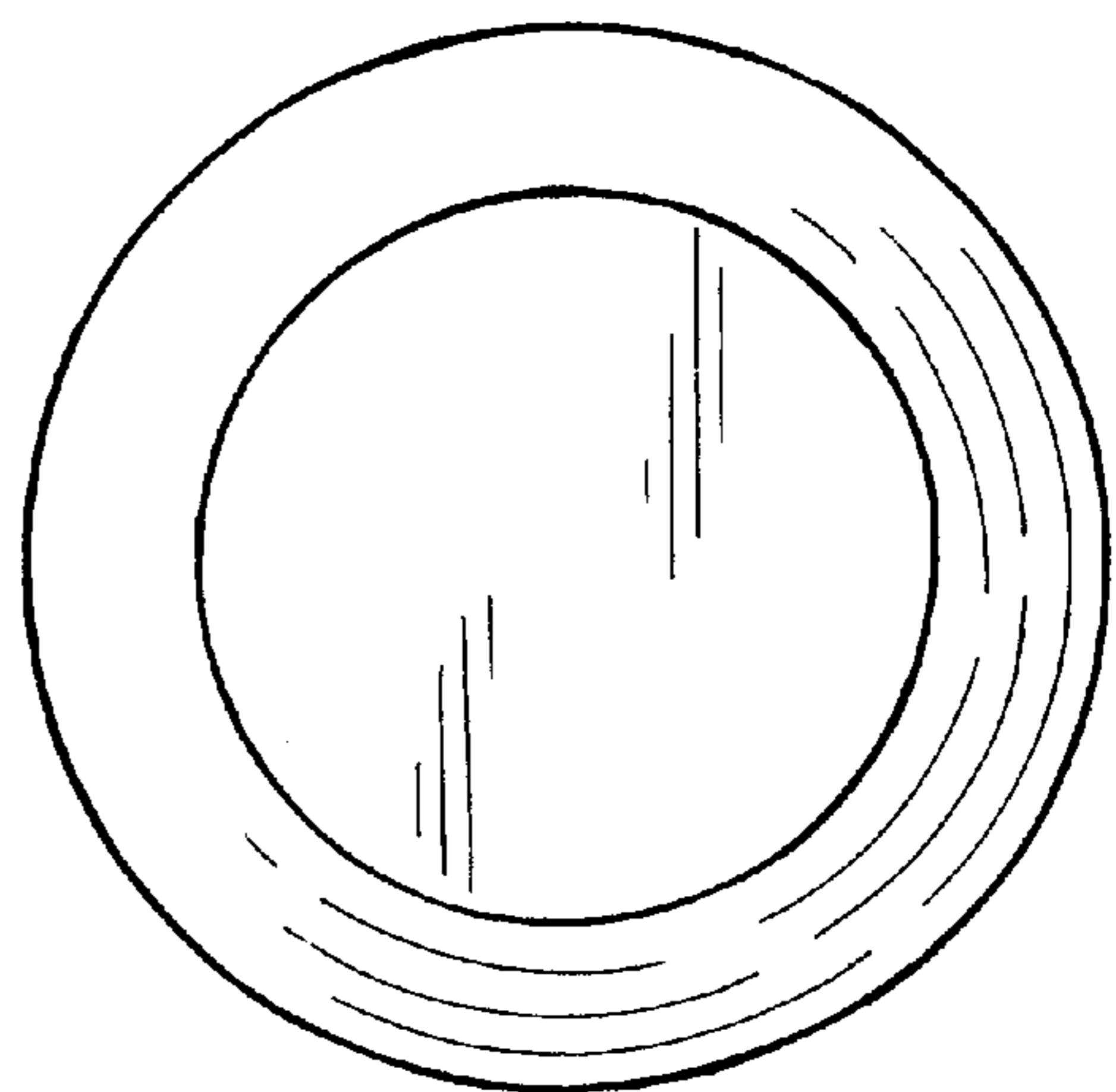


FIG. 5



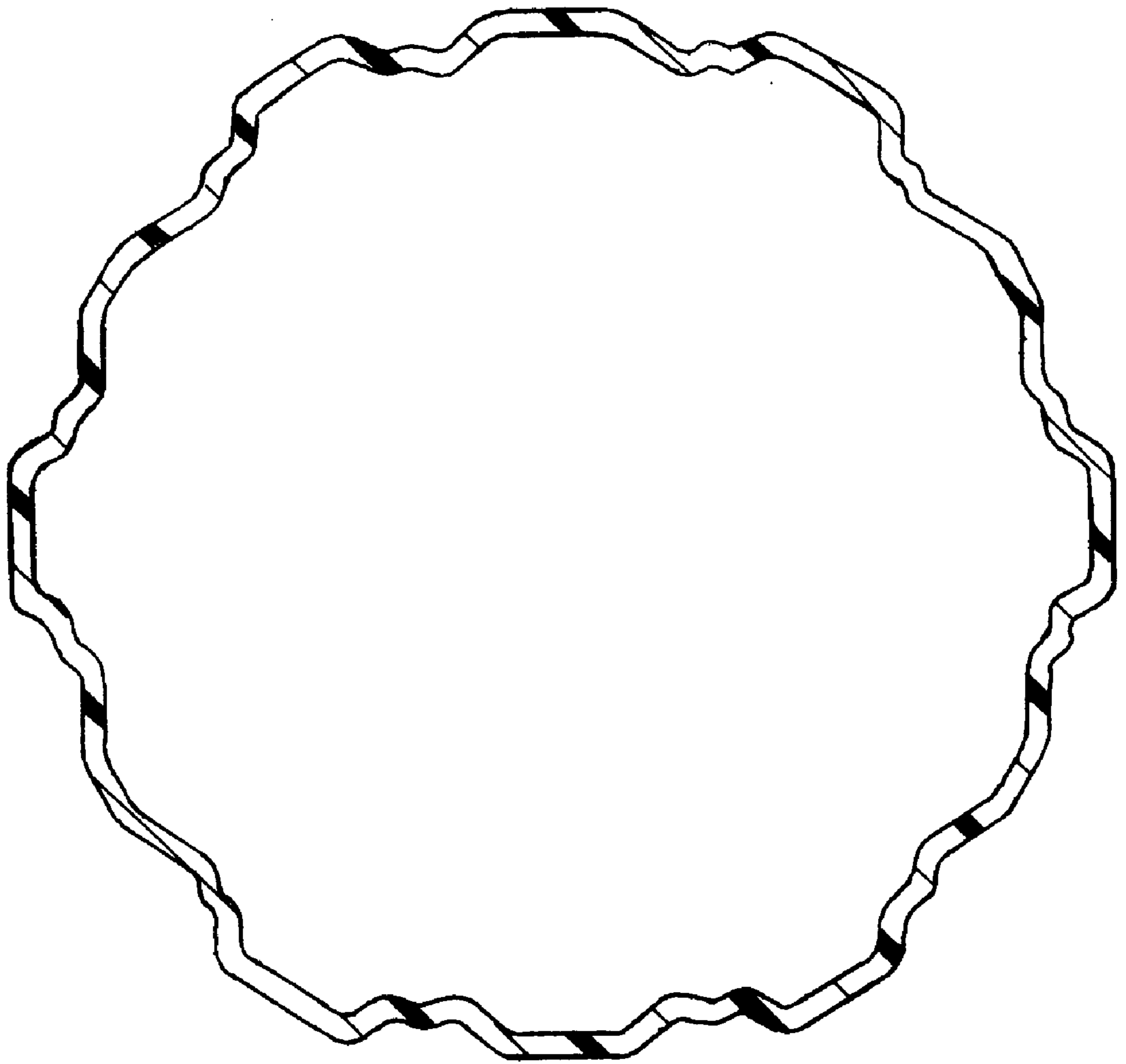


FIG. 7