



US00D479684S

(12) **United States Design Patent**
Miller

(10) **Patent No.:** **US D479,684 S**

(45) **Date of Patent:** **** Sep. 16, 2003**

(54) **SHAKER BOX WITH LINER**

D446,122 S * 8/2001 Weinstein et al. D9/428

(76) Inventor: **Carol A. Miller**, 8 Red Cross Ave.,
Newport, RI (US) 02840

* cited by examiner

(**) Term: **14 Years**

Primary Examiner—Prabhakar Deshmukh
(74) *Attorney, Agent, or Firm*—Salter & Michaelson

(21) Appl. No.: **29/167,820**

(57) **CLAIM**

(22) Filed: **Sep. 20, 2002**

The ornamental design for a shaker box with liner, as shown and described.

(51) **LOC (7) Cl.** **09-03**

DESCRIPTION

(52) **U.S. Cl.** **D9/428**

(58) **Field of Search** D9/428, 429, 416,
D9/418, 422, 424, 509–513, 503; 206/223,
541, 303, 389, 407, 446, 457; 229/4.5,
406, 129, 101, 116.1; 220/8, 683, 4.25,
4.04, 602, 684, 688, 1.6, 23.87

FIG. 1 is a perspective view of a shaker box with liner showing my new design;
FIG. 2 is a front elevational view thereof;
FIG. 3 is a rear elevational view thereof;
FIG. 4 is a right side elevational view thereof;
FIG. 5 is a left side elevational view thereof;
FIG. 6 is a top plan view thereof;
FIG. 7 is a bottom plan view thereof;
FIG. 8 is a perspective view thereof with the cover removed;
FIG. 9 is an exploded perspective view thereof; and,
FIG. 10 is a sectional view thereof taken on line 10—10 of FIG. 1.

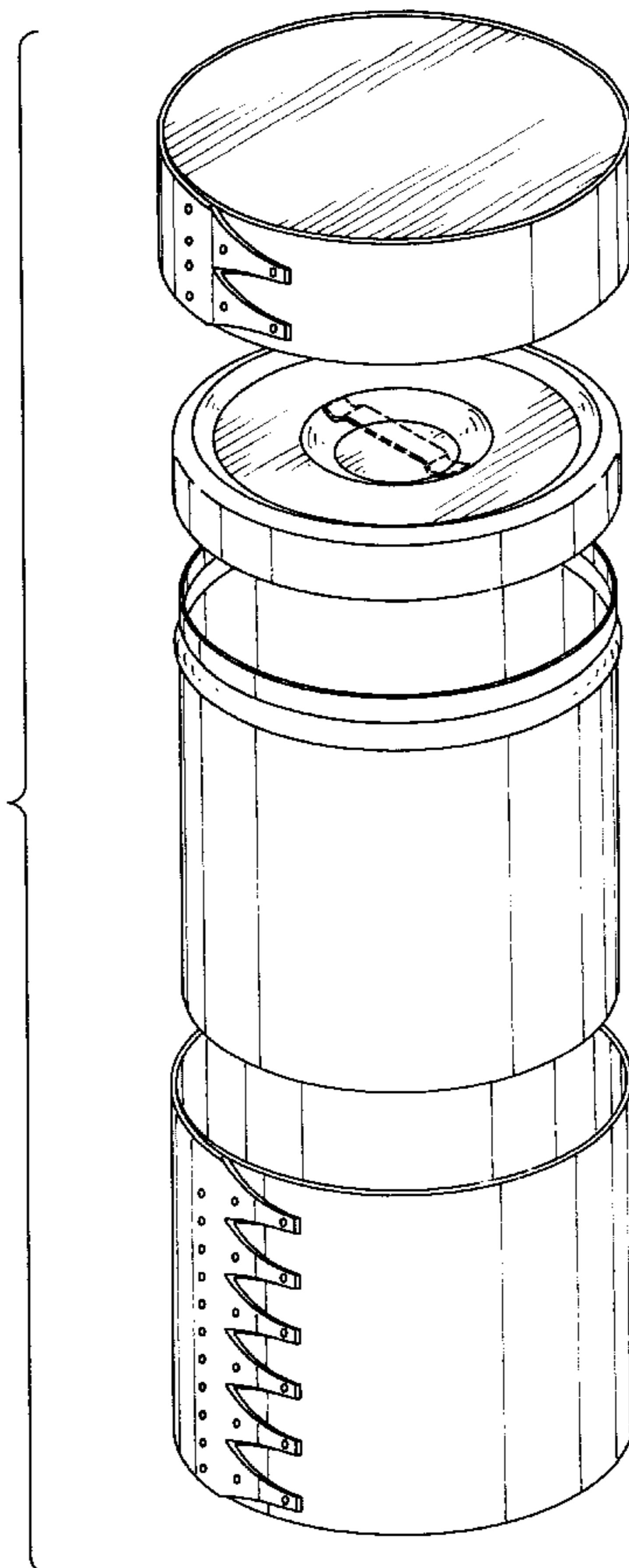
(56) **References Cited**

U.S. PATENT DOCUMENTS

2,178,778	A	*	11/1939	Curry	220/683
2,877,505	A	*	3/1959	Stephens	220/8
3,982,681	A	*	9/1976	Graves et al.	220/683
4,742,951	A	*	5/1988	Kelly et al.	229/4.5
5,056,679	A	*	10/1991	Lonczak	229/4.5
5,203,492	A	*	4/1993	Schellenberg	229/4.5
D416,795	S	*	11/1999	Rabouin	D9/428
D434,980	S	*	12/2000	Suzuki	D9/428

The portions shown in broken lines in FIGS. 8 and 9 are for information only and form no part of the instant design.

1 Claim, 9 Drawing Sheets



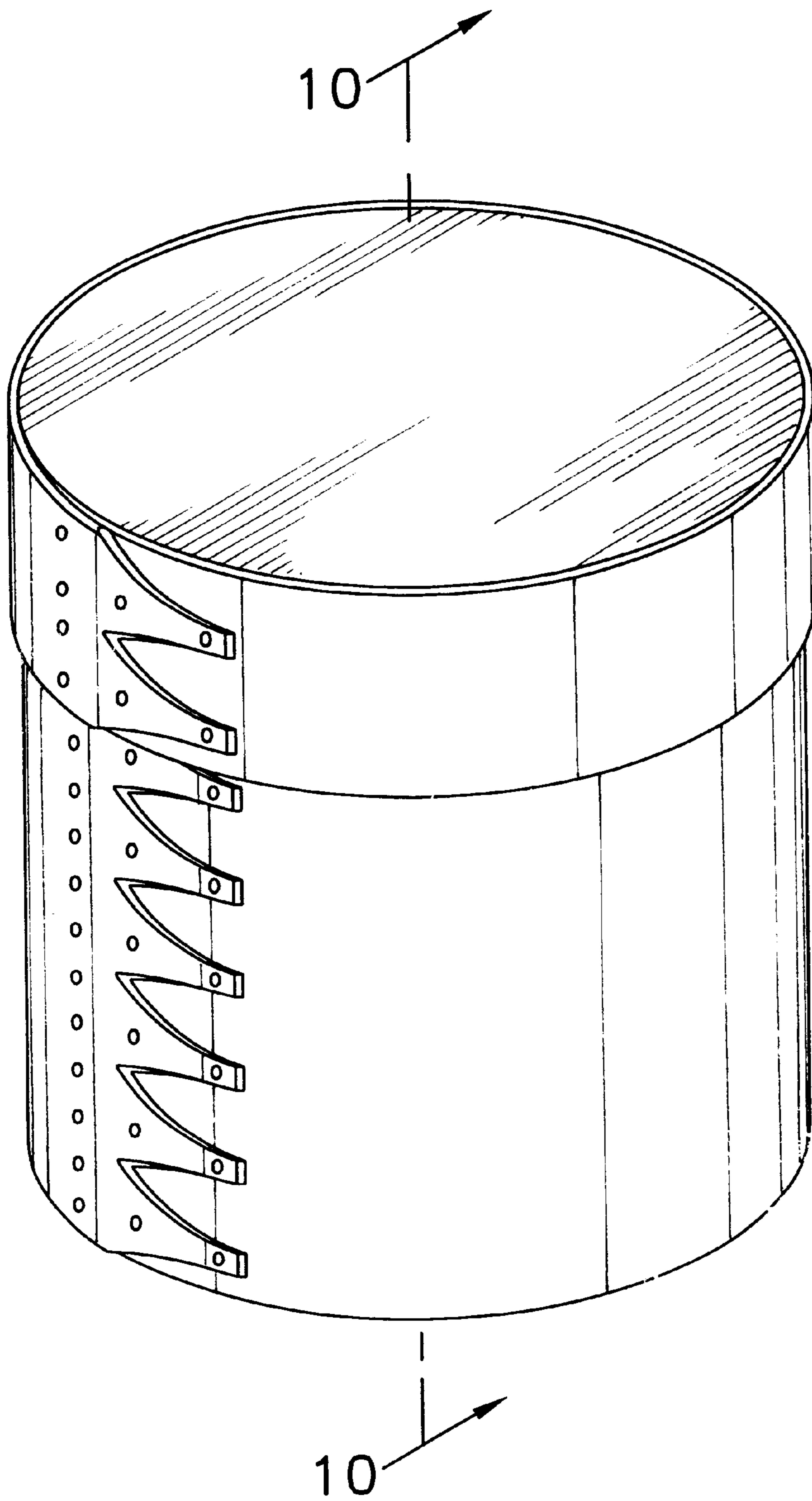


FIG. 1

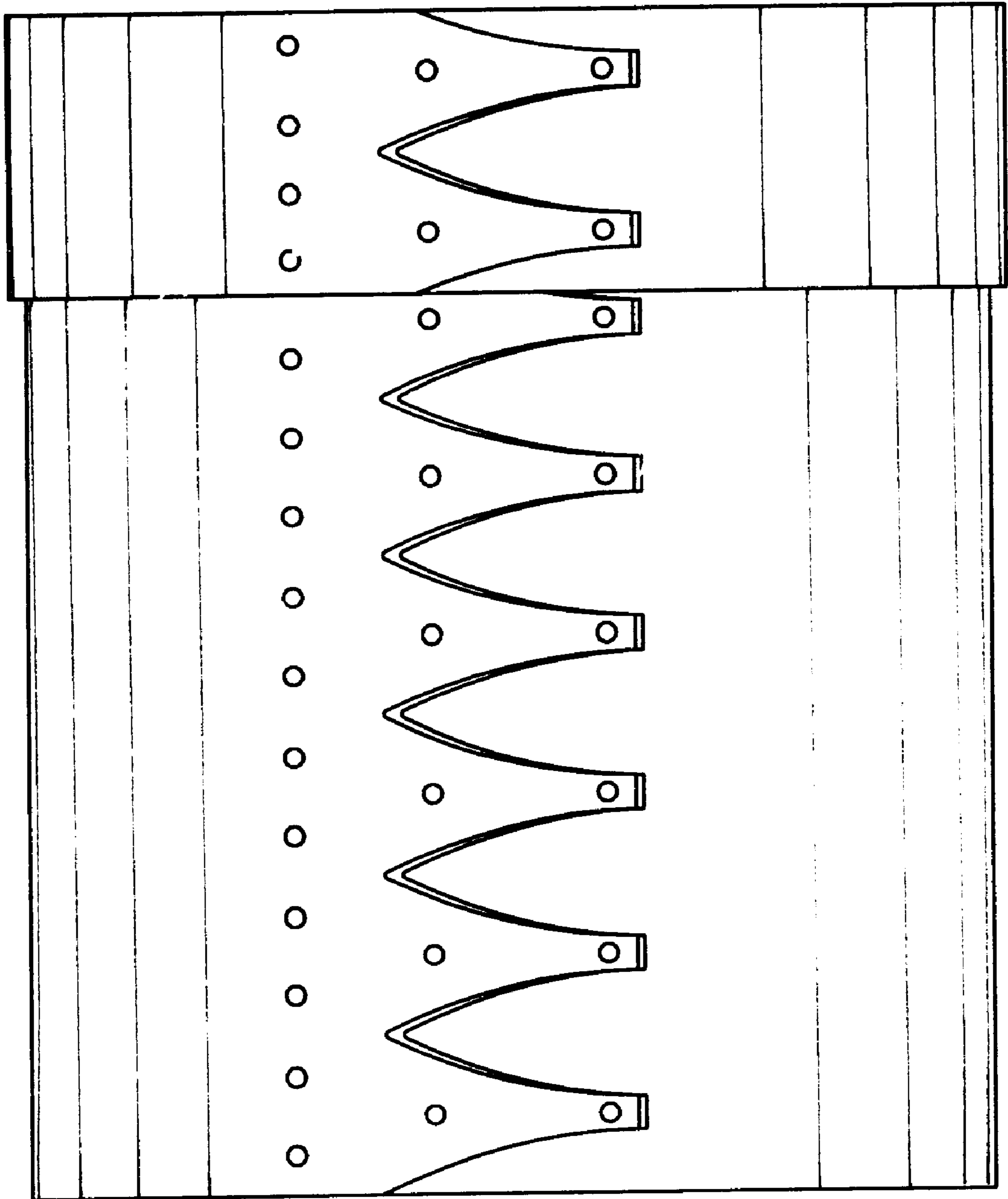


FIG. 2

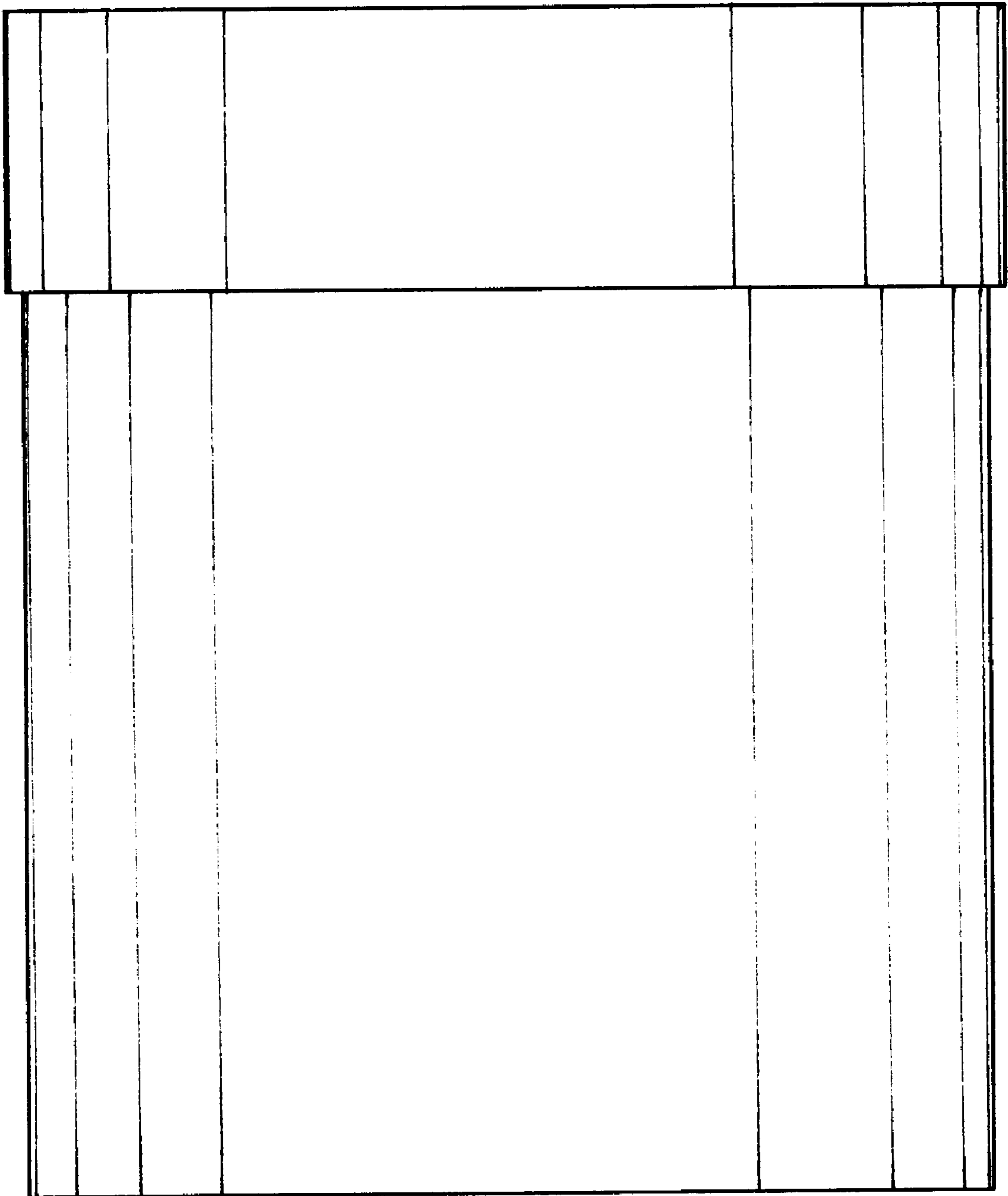


FIG. 3

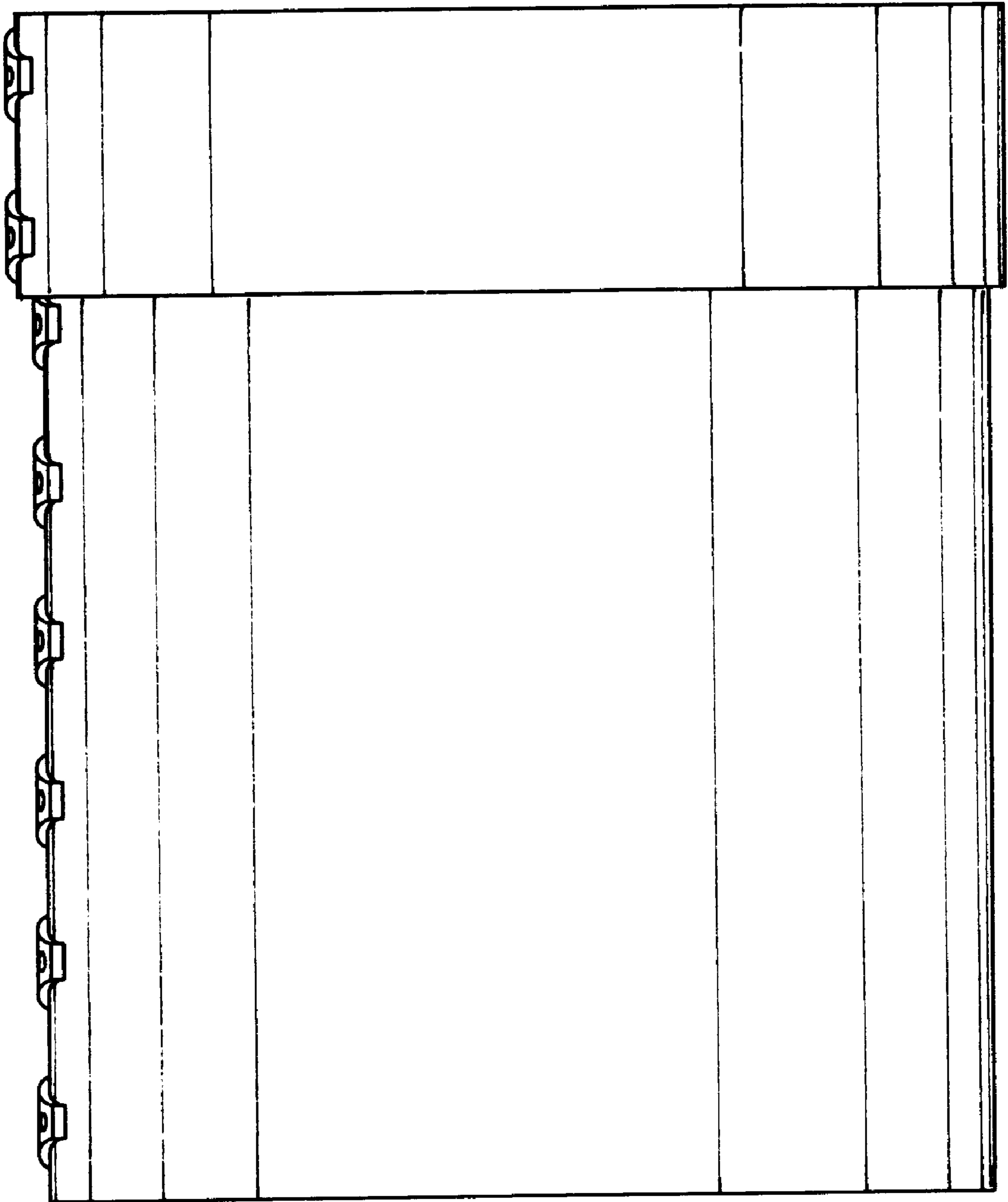


FIG. 4

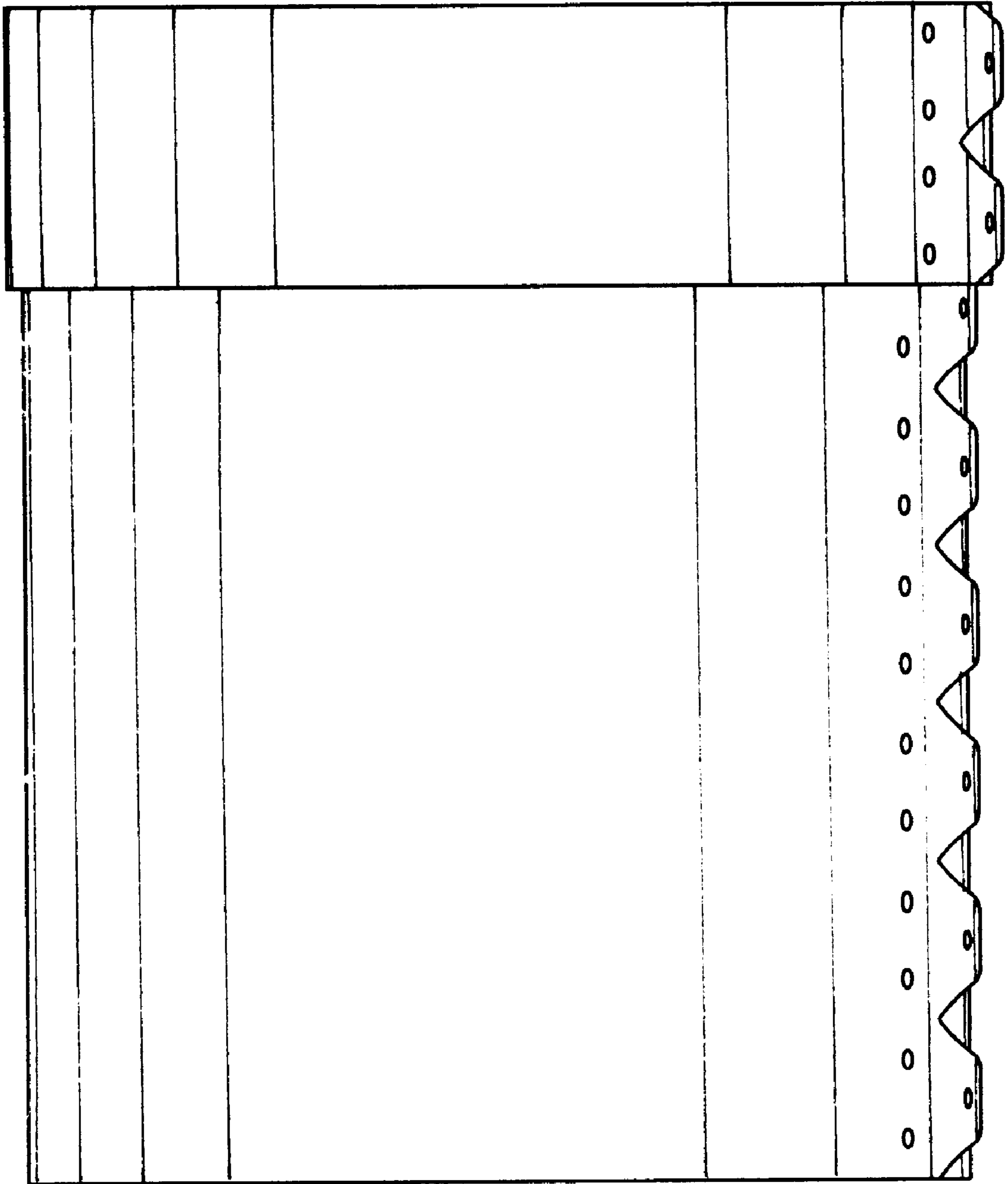


FIG. 5

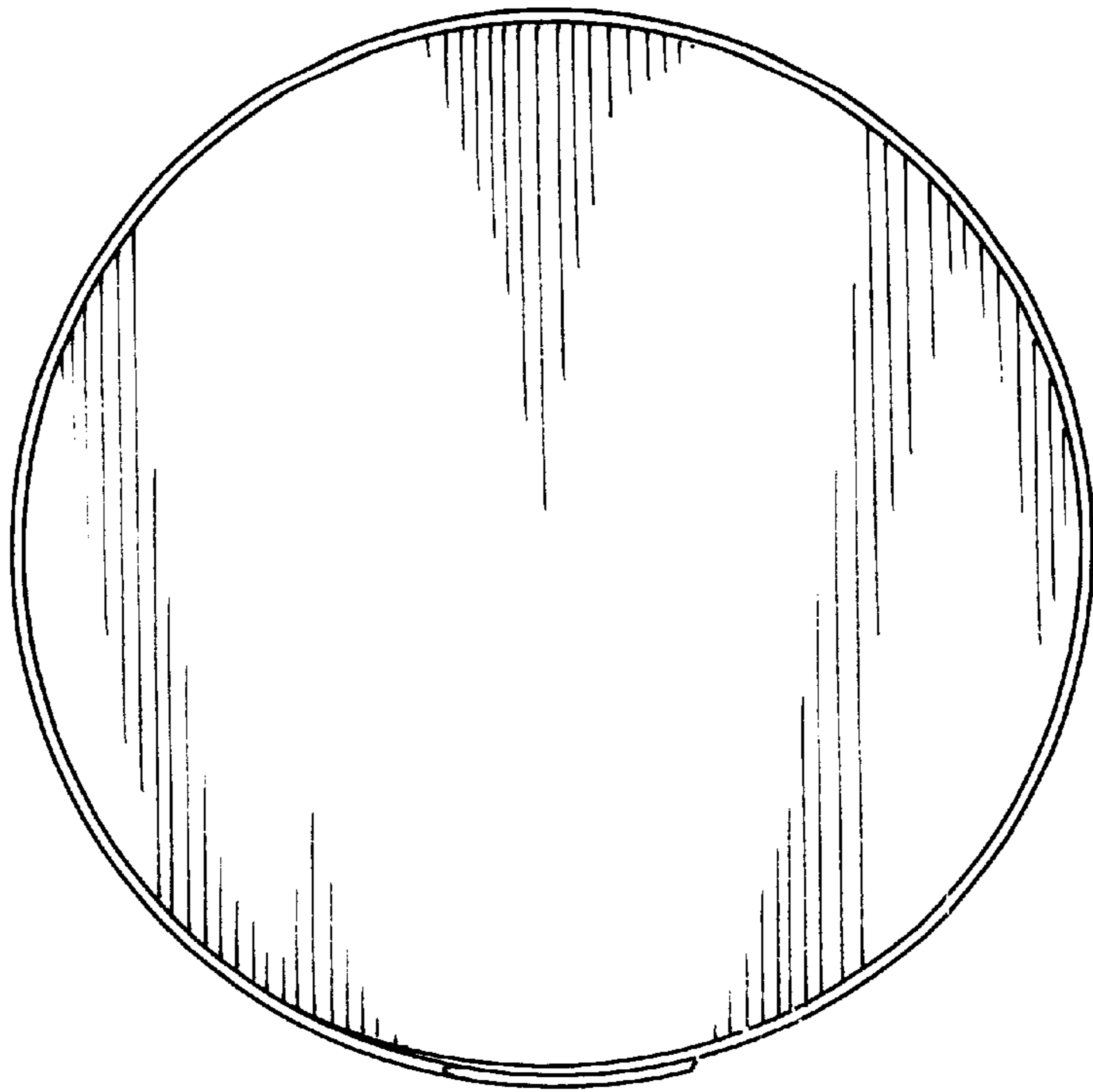


FIG. 6

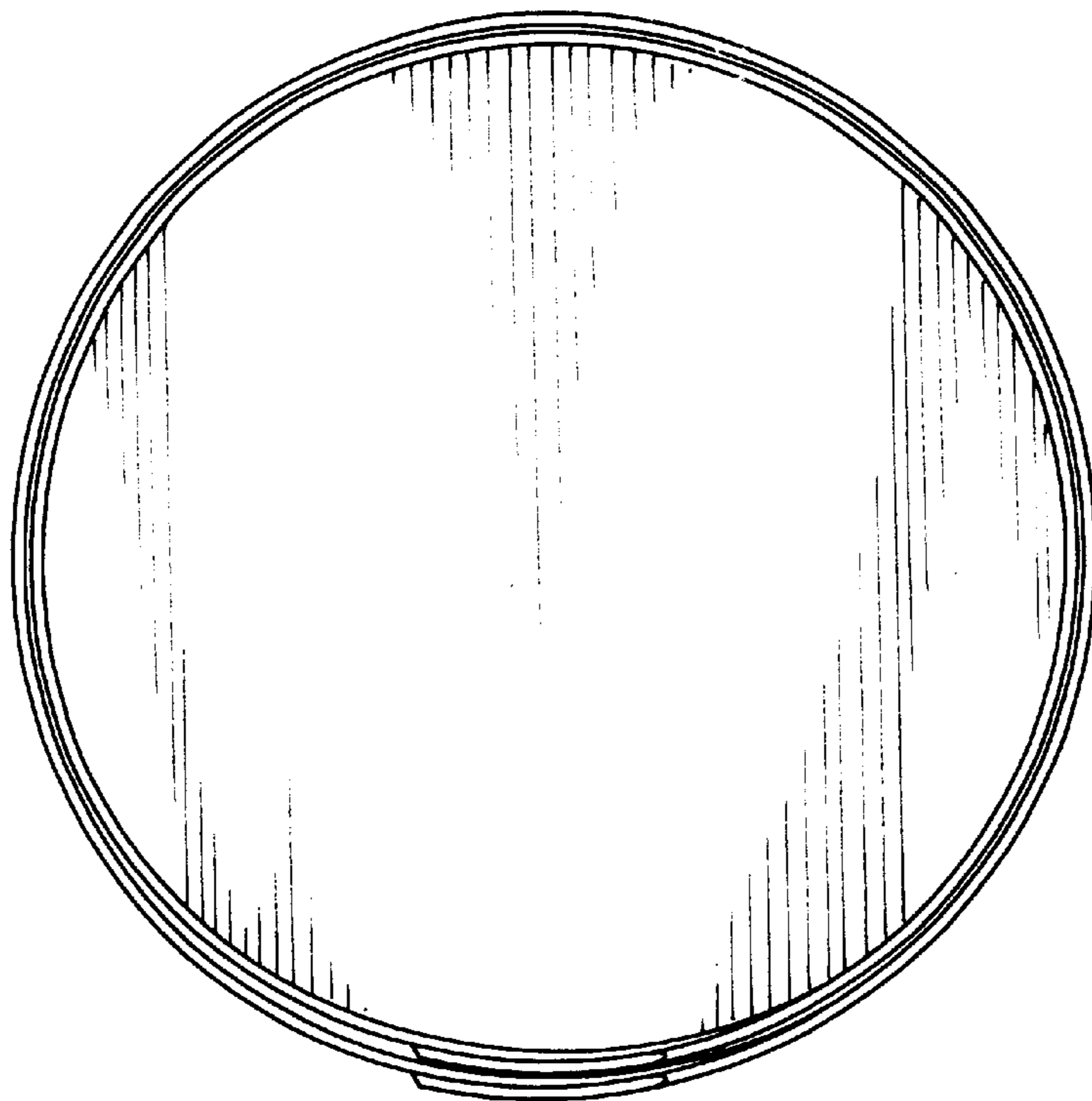


FIG. 7

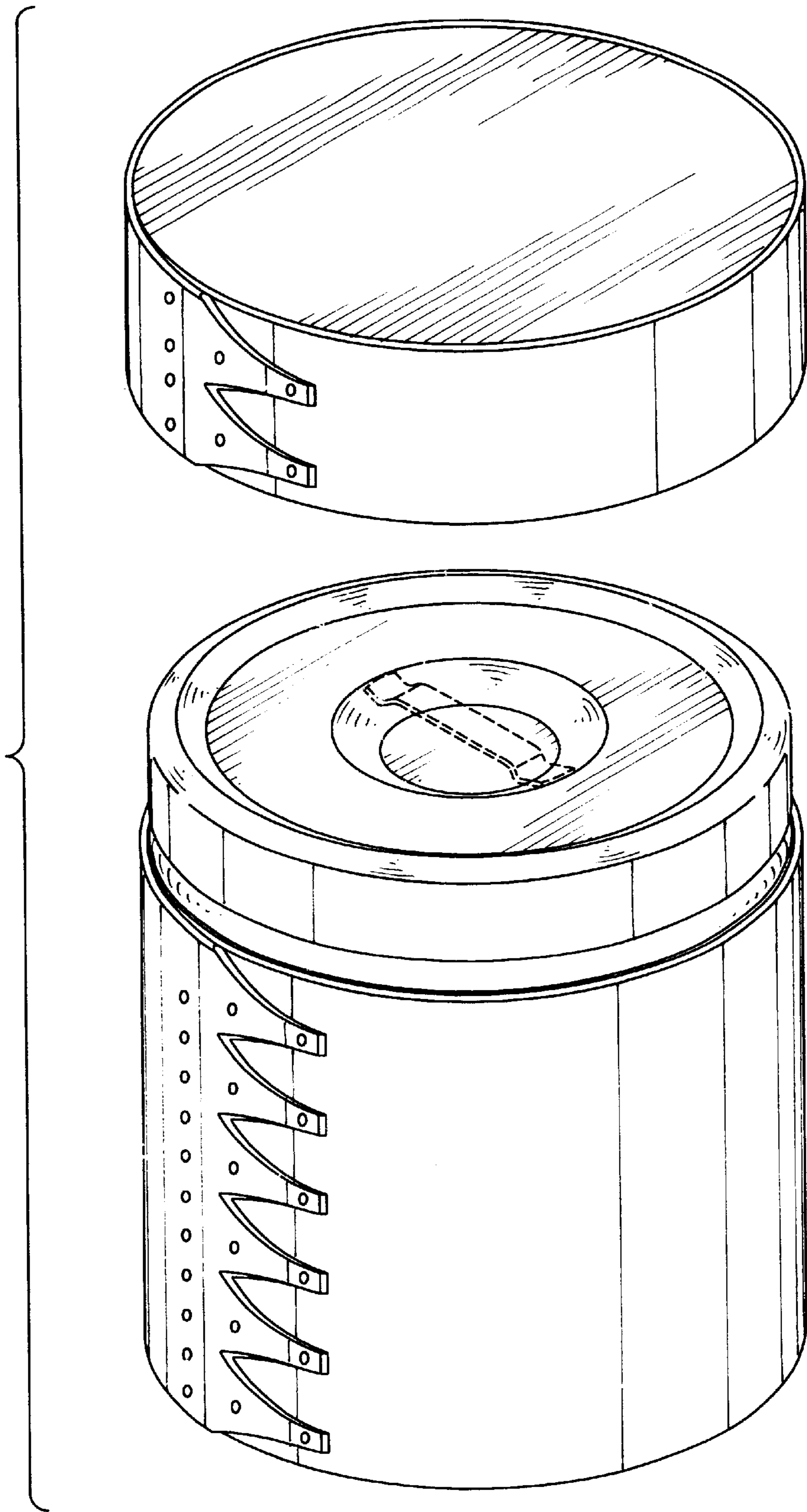


FIG. 8

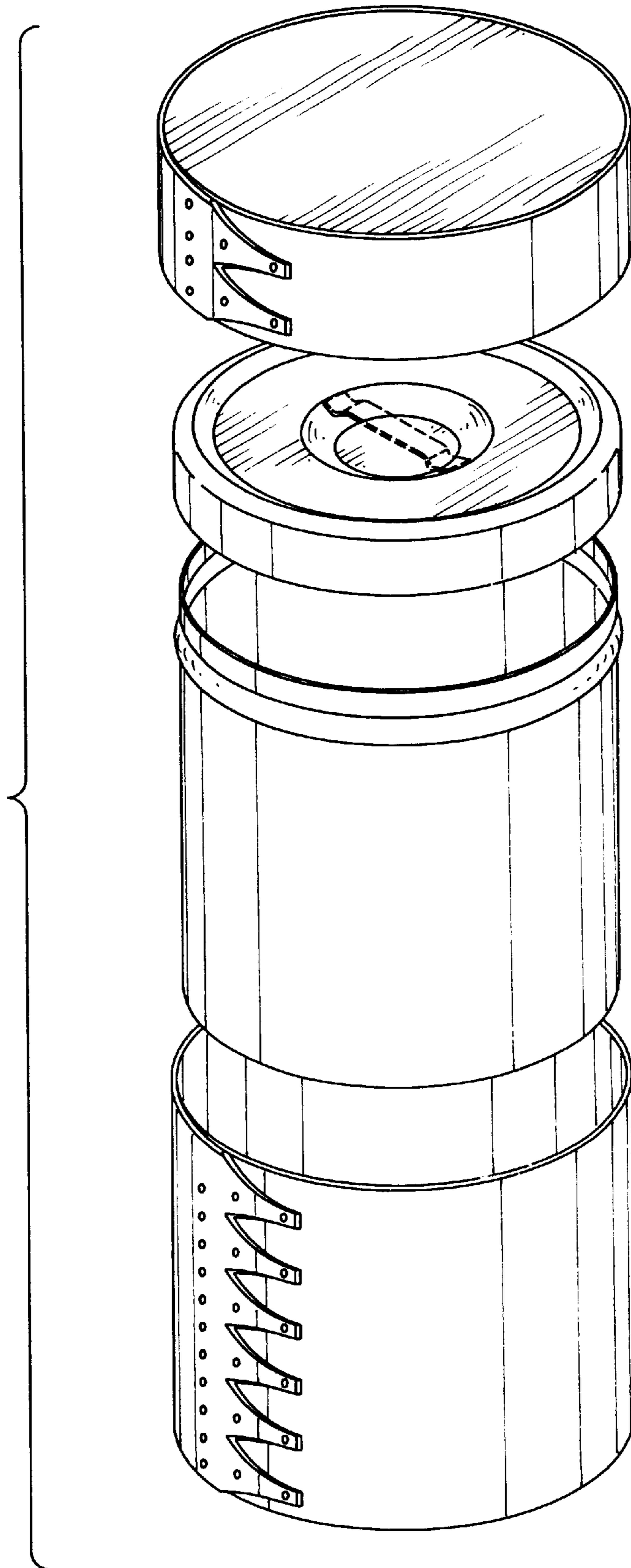


FIG. 9

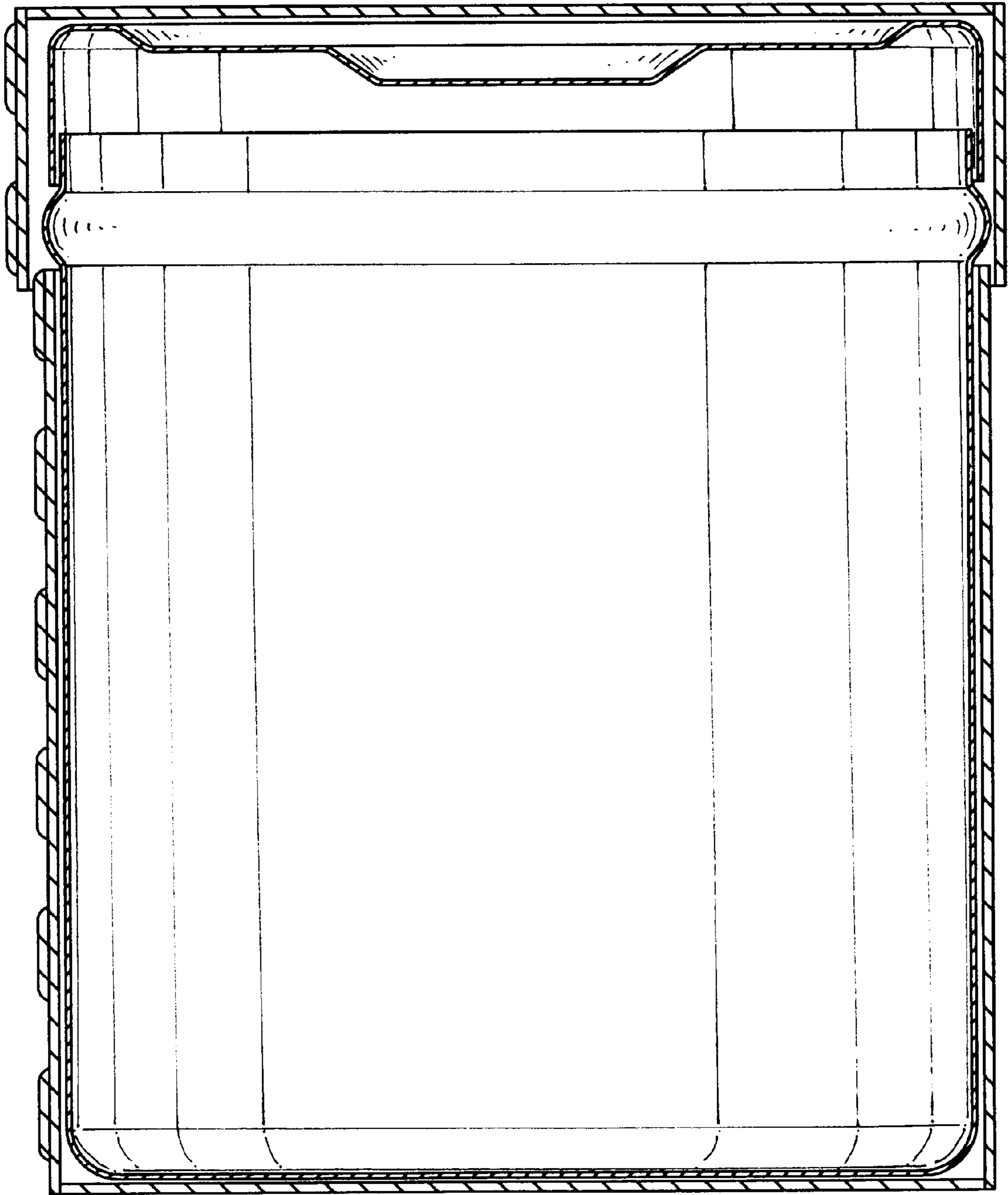


FIG. 10