



US00D479682S

(12) **United States Design Patent** (10) **Patent No.:** **US D479,682 S**
Frolov et al. (45) **Date of Patent:** **** Sep. 16, 2003**

(54) **PROGRAMMABLE DOOR LOCK**

D452,807 S * 1/2002 Gartner D8/330

(75) Inventors: **George Frolov**, Farmington, CT (US);
Victor Bogdanov, Manchester, CT
(US); **Vu Dinh Nguyen**, West Hartford,
CT (US)

* cited by examiner

Primary Examiner—Brian N. Vinson
(74) *Attorney, Agent, or Firm*—Michael Best & Friedrich
LLP

(73) Assignee: **Harrow Products, Inc.**, Woodcliff
Lake, NJ (US)

(57) **CLAIM**

(**) Term: **14 Years**

We claim the ornamental design for a programmable door
lock, as shown and described.

(21) Appl. No.: **29/162,278**

DESCRIPTION

(22) Filed: **Jun. 13, 2002**

FIG. 1 is a front view illustrating a programmable door lock.
FIG. 2 is a front perspective view illustrating the design
shown in FIG. 1.

(51) **LOC (7) Cl.** **08-07**

(52) **U.S. Cl.** **D8/331**

FIG. 3 is a side view illustrating the right side of the design
shown in FIG. 1.

(58) **Field of Search** D8/330, 331, 338,
D8/341, 343; 70/271, 277, 278.1, 278.4,
284, 285; 252/DIG. 37; 340/5.21, 5.54,
5.65, 5.73, 5.81, 5.85, 825.31

FIG. 4 is a side view illustrating the left side of the design
shown in FIG. 1.

(56) **References Cited**

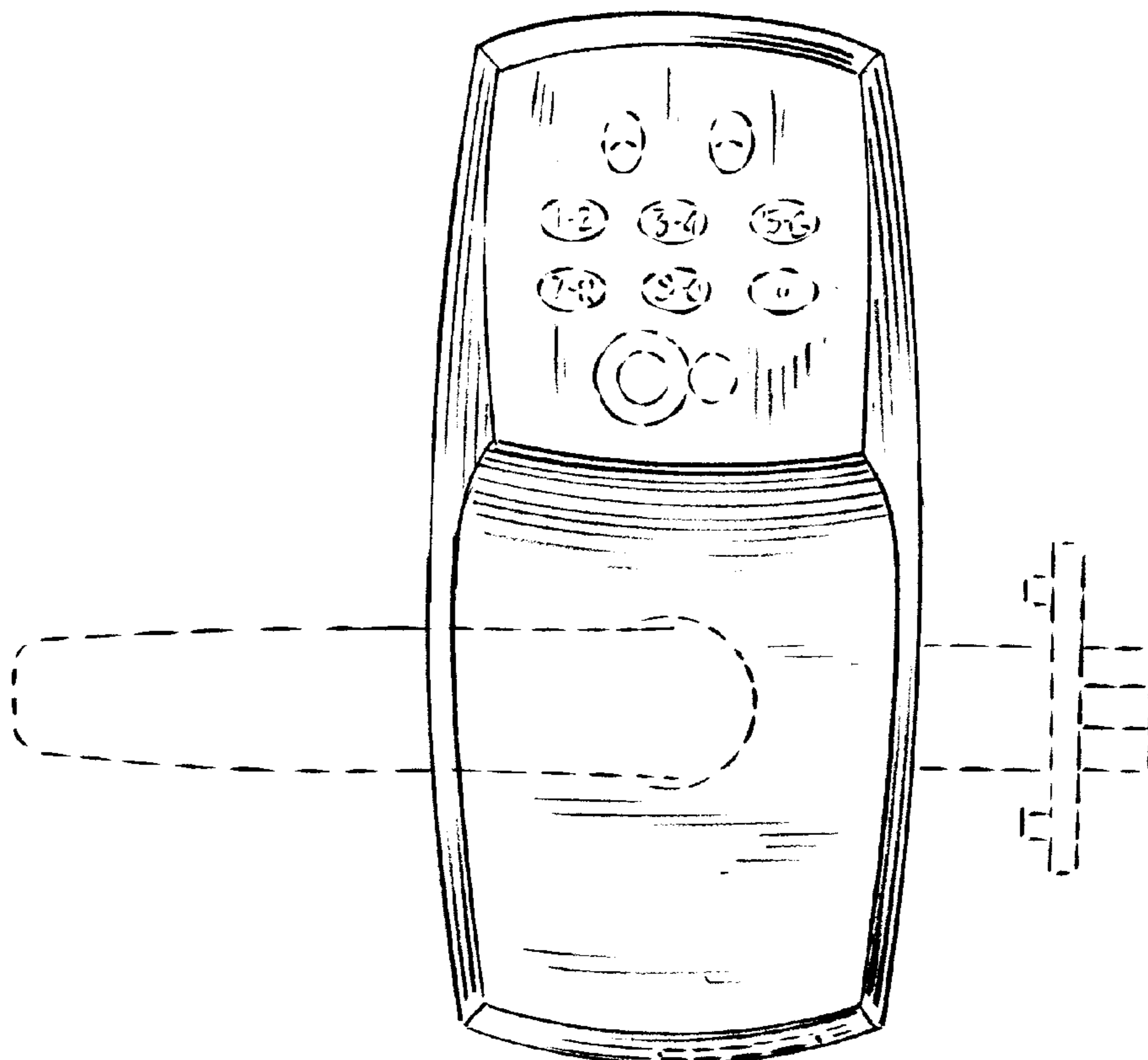
U.S. PATENT DOCUMENTS

- 5,475,996 A * 12/1995 Chen 70/278 X
- D365,976 S * 1/1996 Chiu D8/330
- D388,308 S * 12/1997 Evans et al. D8/330
- 5,841,361 A * 11/1998 Hoffman 340/825.31
- D452,640 S * 1/2002 Gartner D8/330

FIG. 5 is a top view illustrating the design shown in FIG. 1.
FIG. 6 is a bottom view illustrating the design shown in FIG.
1; and,

FIG. 7 is back view illustrating the design shown in FIG. 1.
The broken line showing of the environment is for illustrative
purposes only and forms no part of the claimed design.
The broken lines which define the boundaries of the claimed
design form no part thereof.

1 Claim, 4 Drawing Sheets



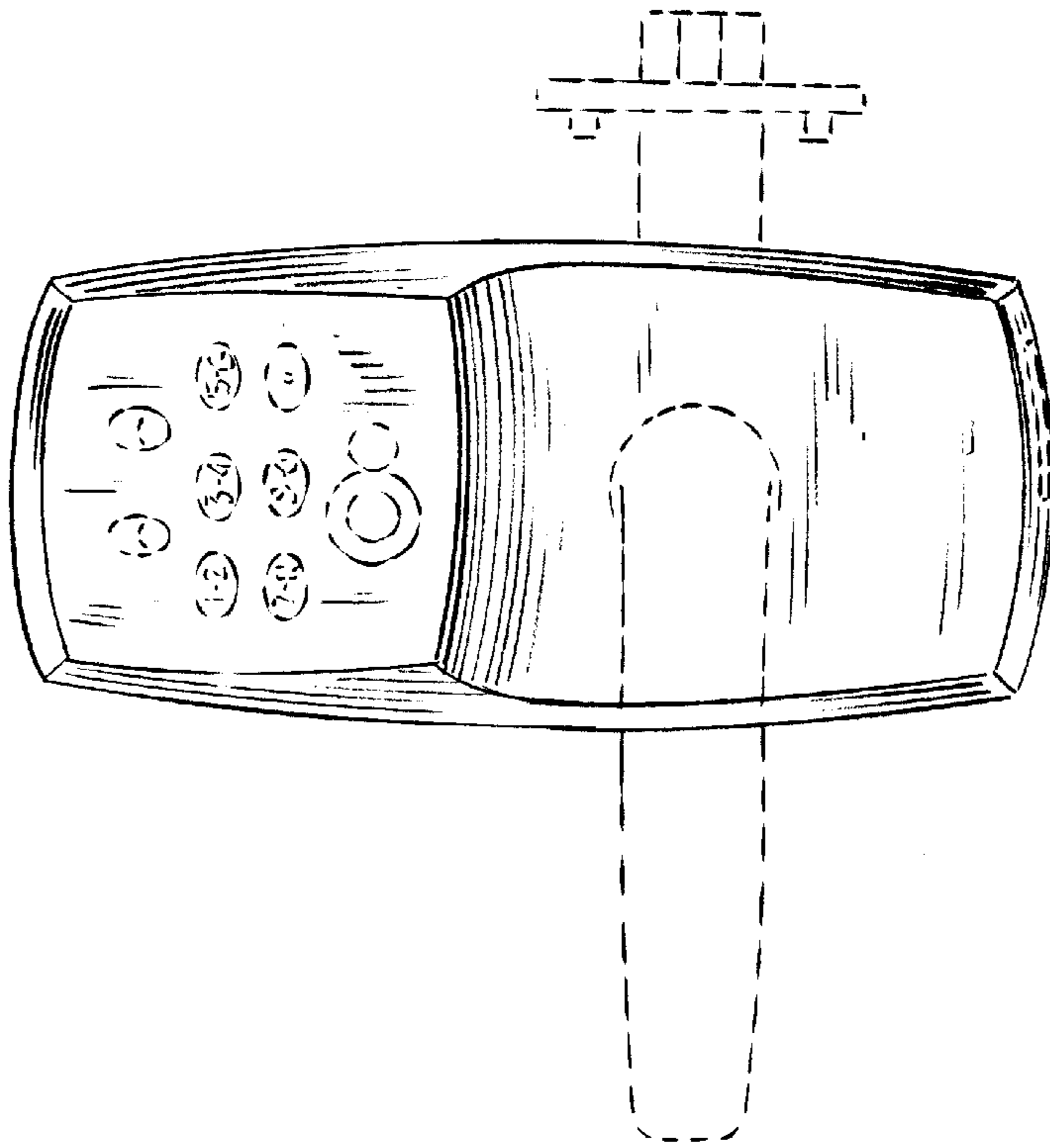


FIG. 1

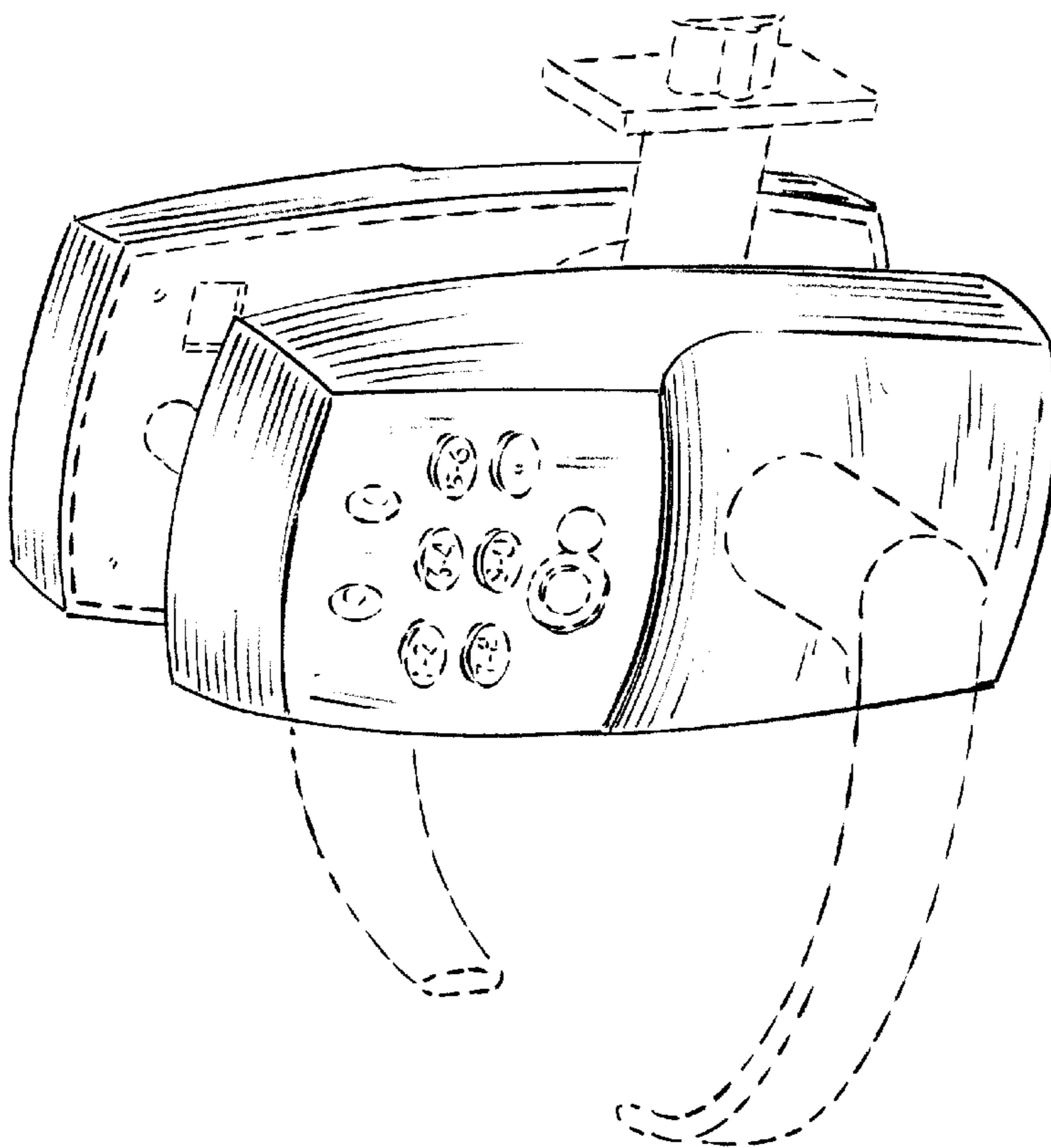


FIG. 2

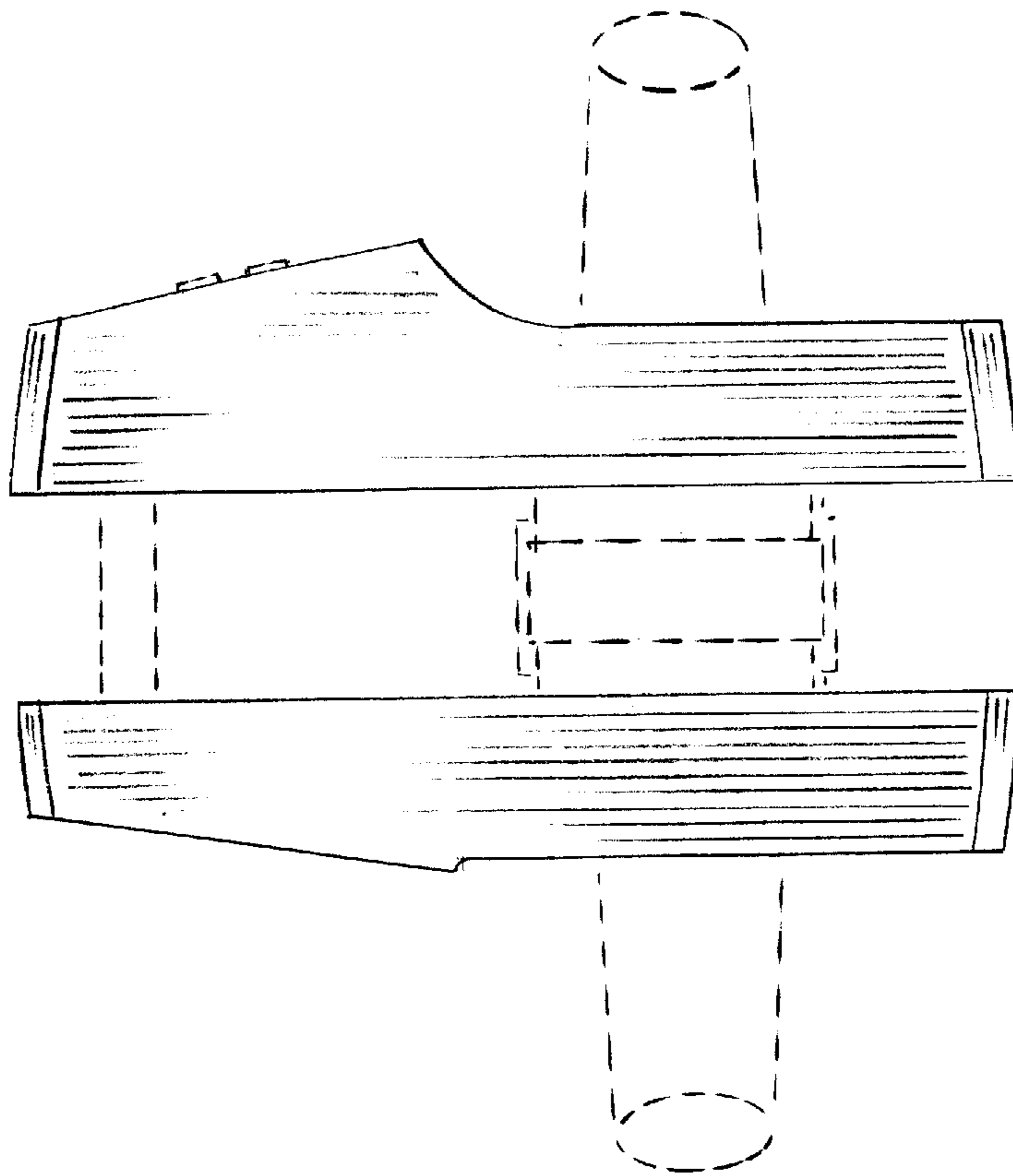


Fig. 4

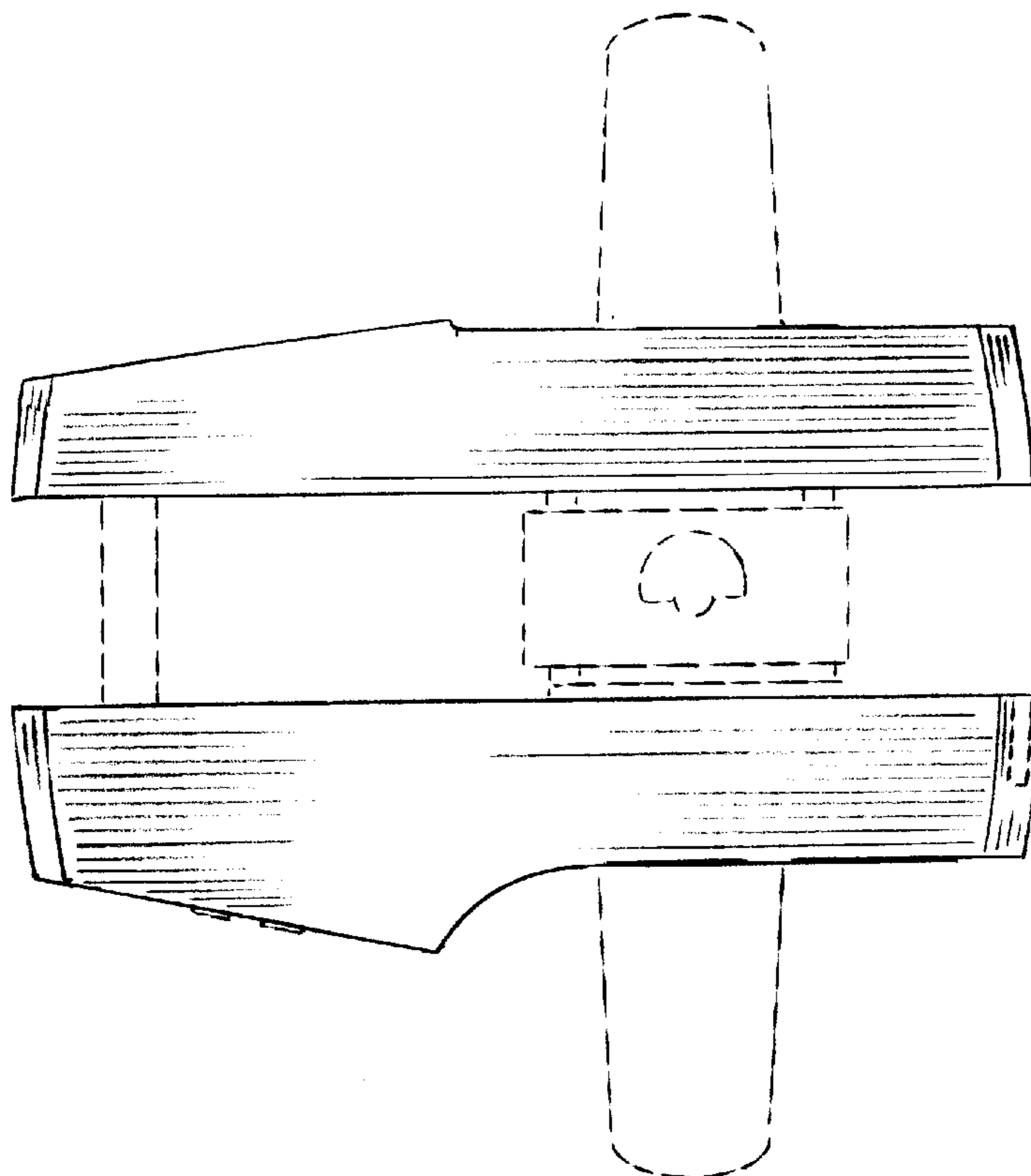


Fig. 3

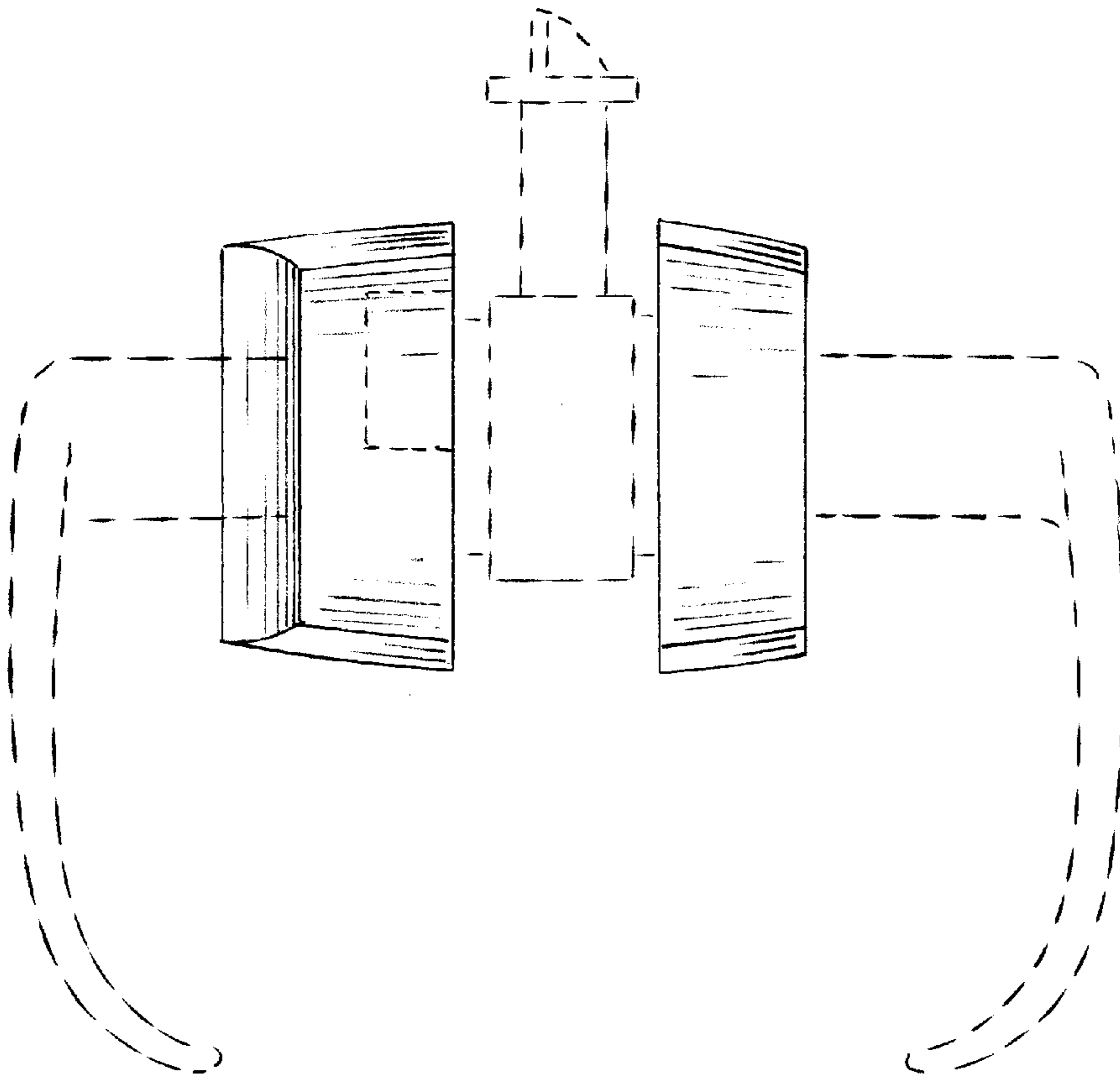


FIG. 6

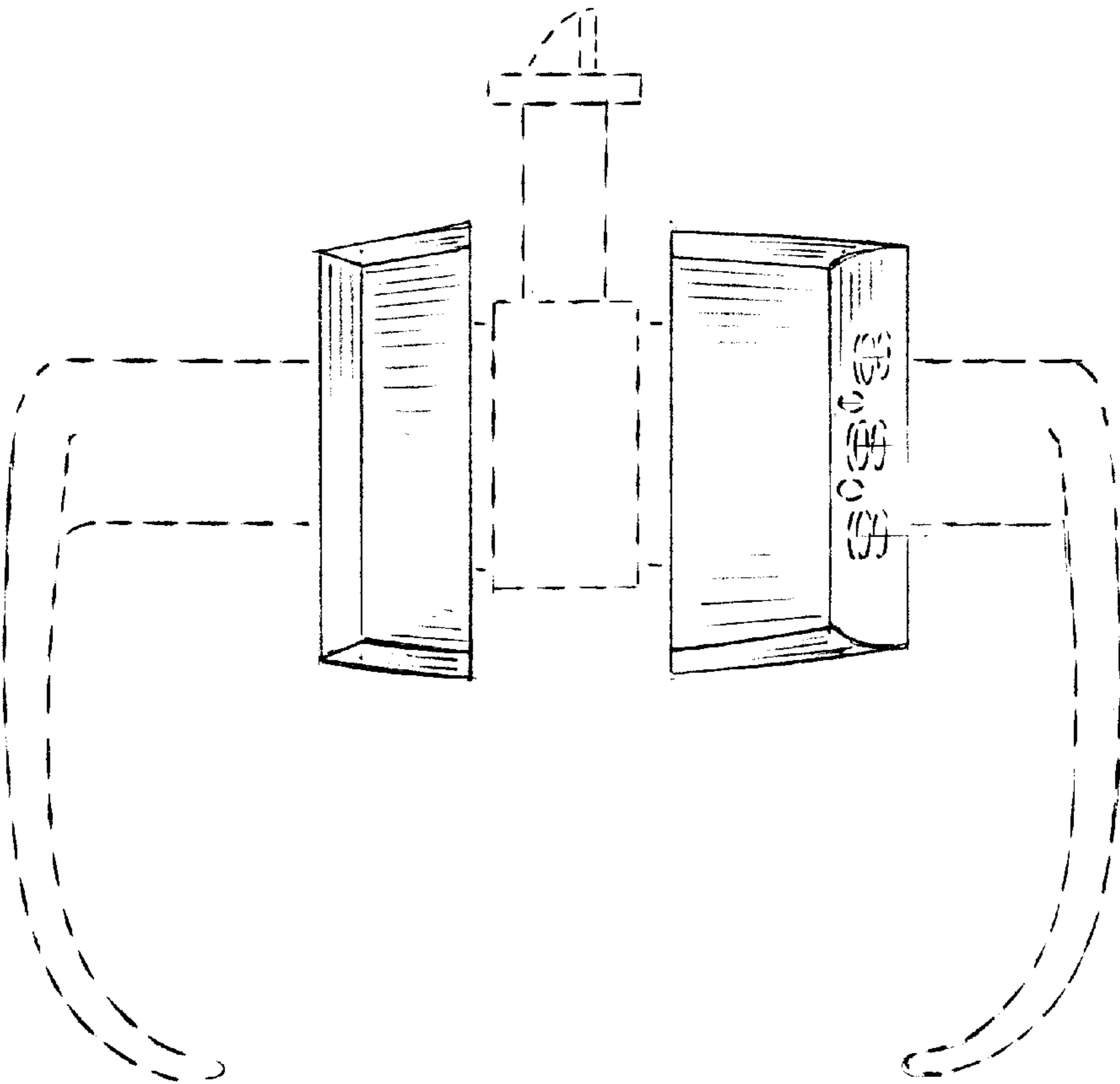


FIG. 5

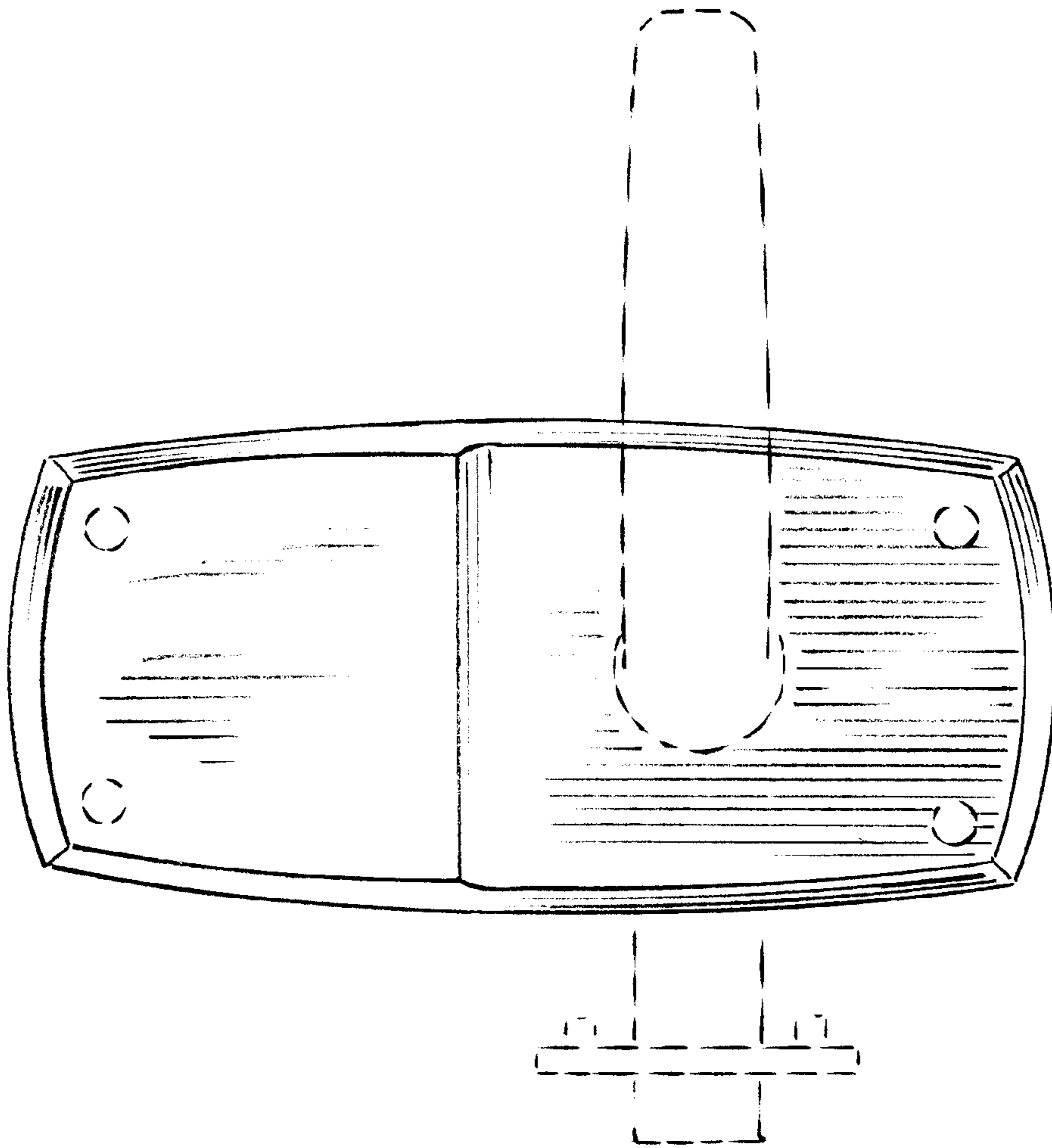


FIG. 1