



US00D479680S

(12) **United States Design Patent**  
**Blackburn**

(10) **Patent No.:** **US D479,680 S**

(45) **Date of Patent:** **\*\* Sep. 16, 2003**

(54) **POSITIONING STAND FOR HEAT GUN**

(75) Inventor: **John H. Blackburn**, Greenville, SC (US)

(73) Assignee: **Sunex International, Inc.**, Greenville, SC (US)

(\*\*) Term: **14 Years**

(21) Appl. No.: **29/148,824**

(22) Filed: **Sep. 27, 2001**

(51) **LOC (7) Cl.** ..... **08-05**

(52) **U.S. Cl.** ..... **D8/71**

(58) **Field of Search** ..... D8/71, 29.1; 248/126, 248/121, 127, 146, 176.1, 176.2, 346.01, 346.03, 371, 141, 671, 676, 678, 133, 139; 219/242

(56) **References Cited**

**U.S. PATENT DOCUMENTS**

3,144,232	A	*	8/1964	Smootz	.....	248/126
D199,773	S	*	12/1964	Mueller	.....	D7/621
3,345,024	A	*	10/1967	Victor	.....	248/122.1
5,720,456	A	*	2/1998	Szybura	.....	248/126
6,257,532	B1	*	7/2001	Ives	.....	248/121
D461,383	S	*	8/2002	Blackburn	.....	D8/29.1

**OTHER PUBLICATIONS**

Bosch 1942, <http://images.amazon.com/images.P/B00002246F.01.LZZZZZZZ.gif>, Feb. 19, 2001, p. 1.

Grainger Catalog, Welding, Heat Guns, pp. 1814 and 1815, at least Jan. 2001.

Master Appliance Master Heat Gun®, Instruction Manual, at least Jan. 2001.

Designers and Manufacturers of Heat Tools for Industry Brochure, Master Heat Gun, at least Jul. 1, 1999.

McMaster-Carr Catalog, p. 2350, Heat Guns, at least Jan. 2001.

First Cash Financial Services, <http://www.firstcash.com/cgi-bin/info2?100030>, Crain Heat Gun, Item #1033372905, Feb. 19, 2001.

Amazon.com Wagner Power Products, <http://www.amazon.com?exec/obidos/tg/stores/detail/glance/-/B000.../107-7704651-648690>, Wagner Power Products 775 Industrial Duty Heat Tool, Feb. 19, 2001, pp. 1 and 2.

Amazon.com: tools & Hardware, <http://www.amazon.com/exec/obidos/tg/browse/-/hi/282678/107-7704651-6486904>, Heat Guns, Feb. 19, 2001, p. 2.

Matco Tools Catalog, p. 197, Heat Tools, at least Jan. 2001.

MAC Tools Catalog, p. 396, HG751 at least Jan. 2001.

Eddy Heat Guns Brochures for Mark IV, Heavy-Duty, Pro-1000 Economy Model, 3 pages, at least Jan. 2001.

\* cited by examiner

*Primary Examiner*—Louis S. Zarfaz

*Assistant Examiner*—Deanne Levy

(74) *Attorney, Agent, or Firm*—Dority & Manning, P.A.

(57) **CLAIM**

The ornamental design for a positioning stand for heat gun, as shown and described.

**DESCRIPTION**

FIG. 1 is a front left perspective view of a positioning stand for a heat gun showing my new design in a condition of use; FIG. 2 is a left rear perspective view of the positioning stand for a heat gun of FIG. 1;

FIG. 3 is a top plan view thereof;

FIG. 4 is a bottom plan view thereof;

FIG. 5 is a left side view, the right side view being a mirror-image thereof;

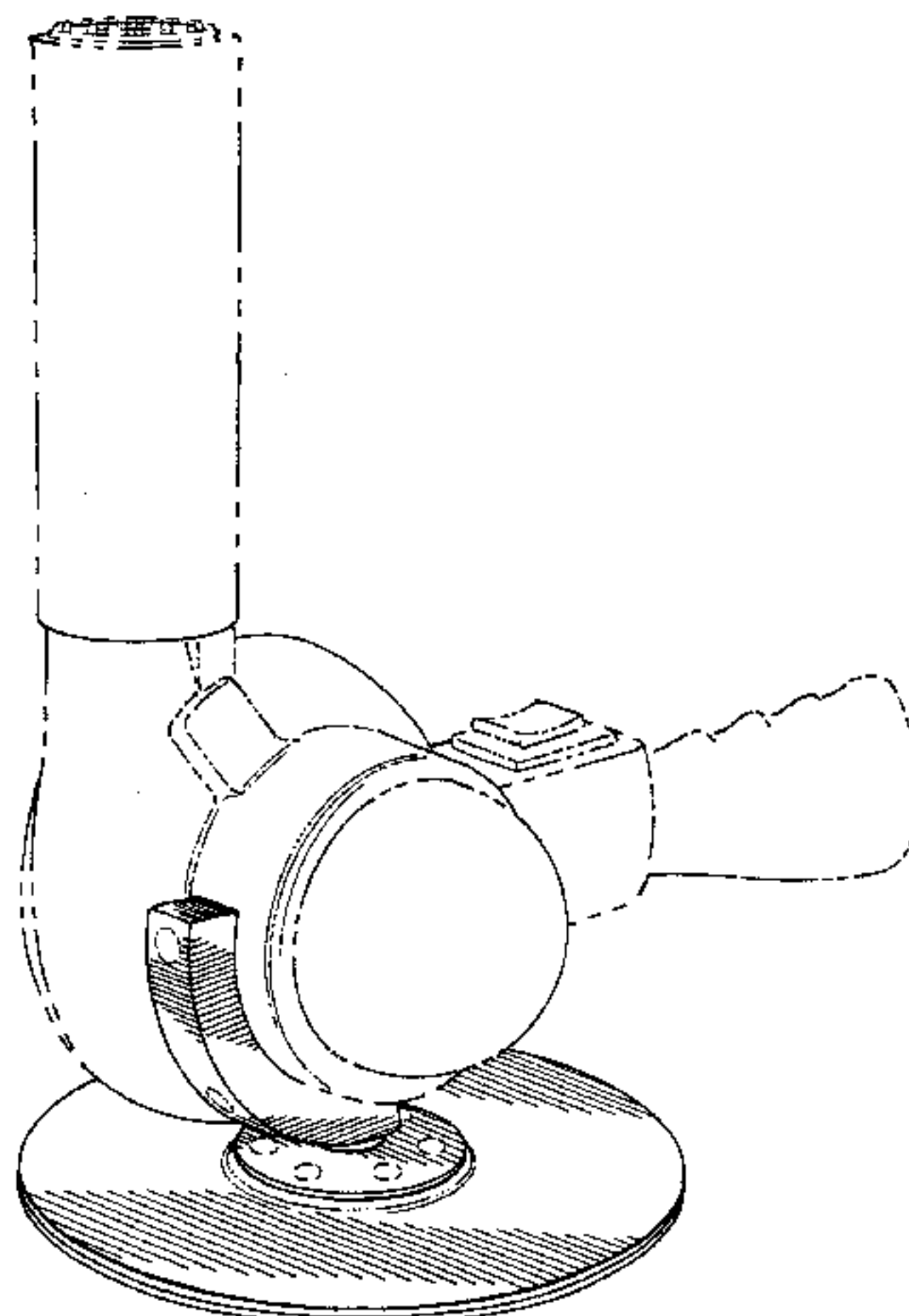
FIG. 6 is a rear view thereof;

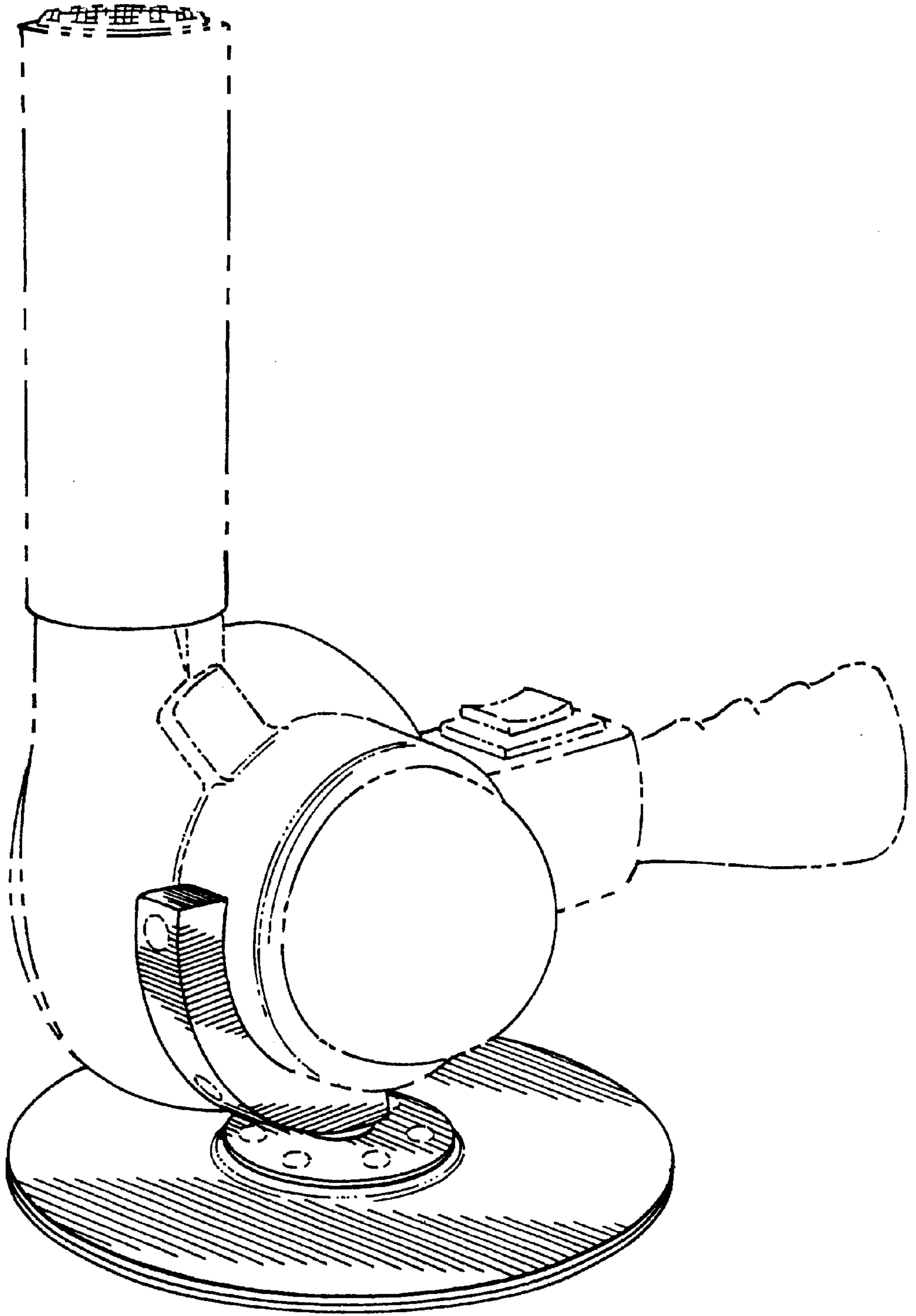
FIG. 7 is a front view thereof; and,

FIG. 8 is a perspective view of the positioning stand for a heat gun of FIGS. 1-7 with the arm in an alternate position.

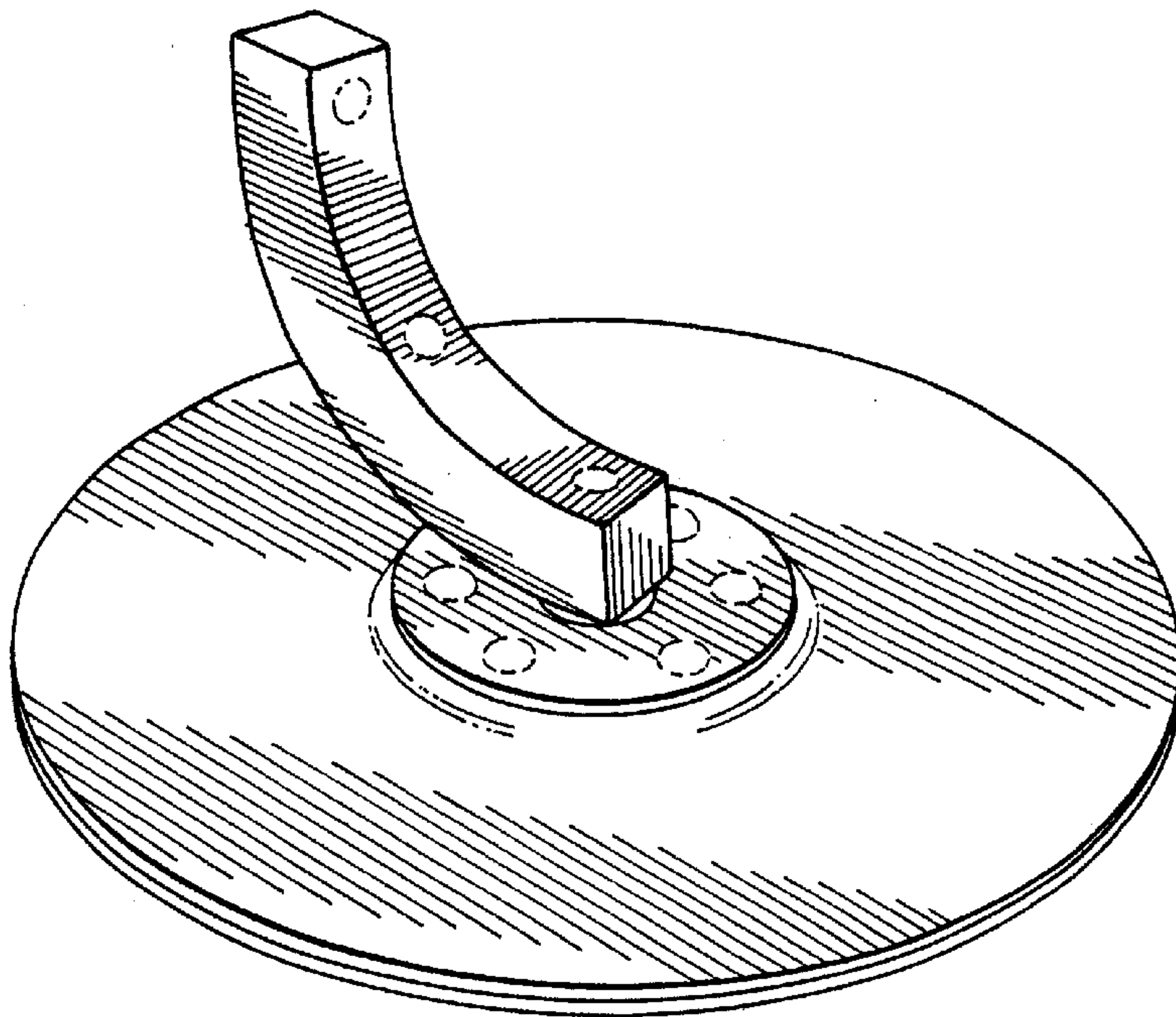
The broken line showing of environmental structure is for illustrative purposes only and forms no part of the claimed design.

**1 Claim, 5 Drawing Sheets**

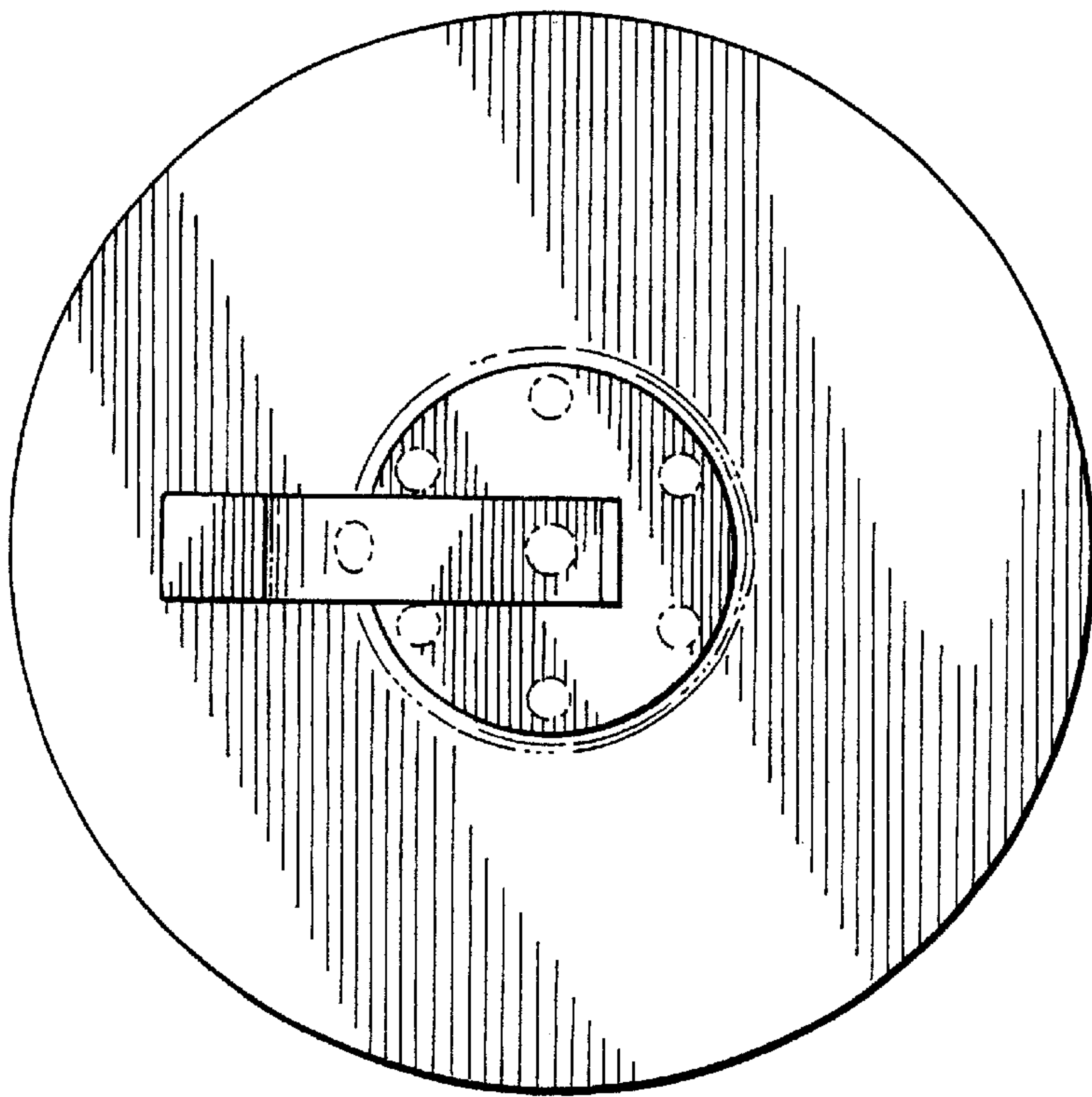




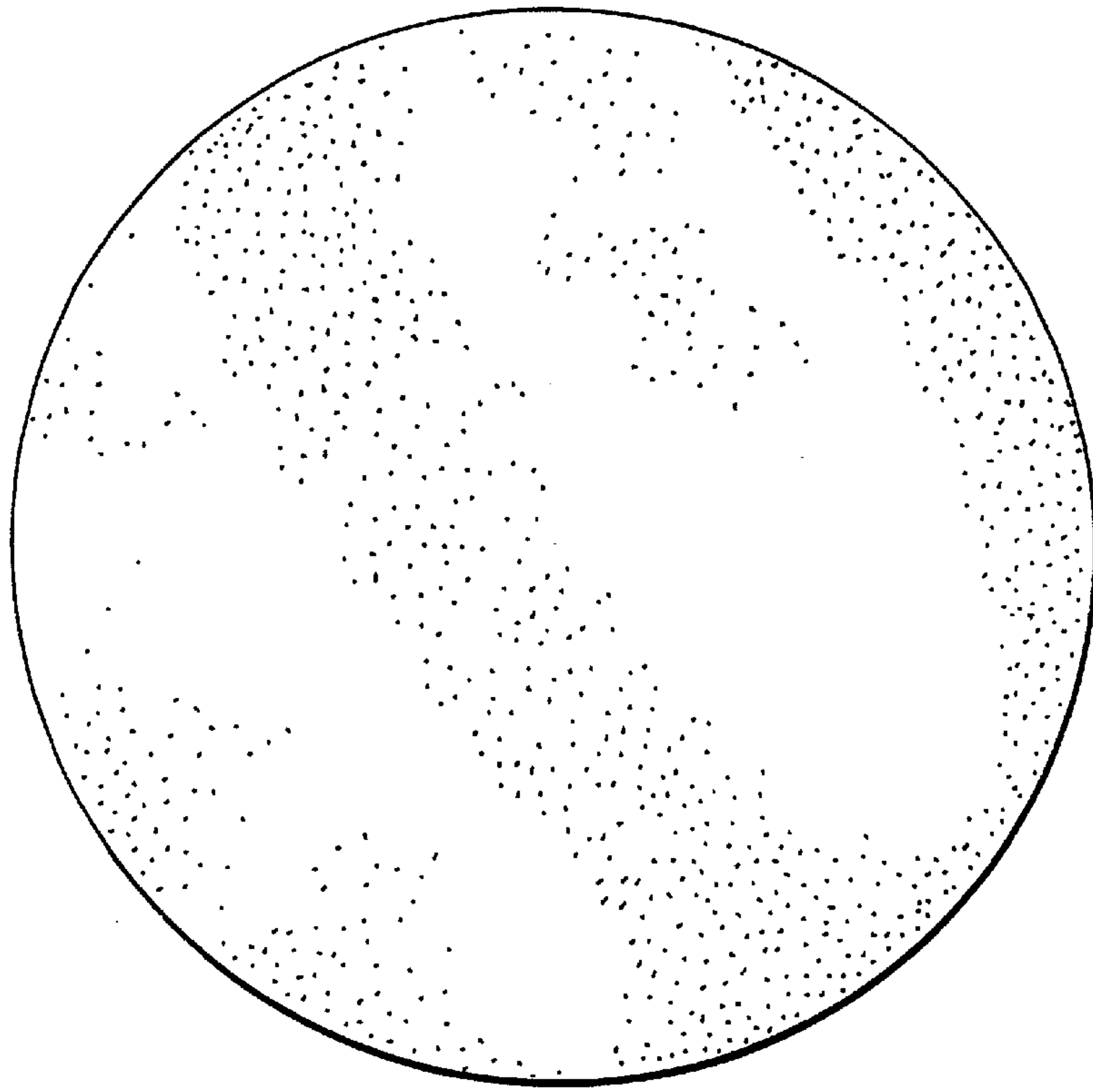
*Fig. 1*



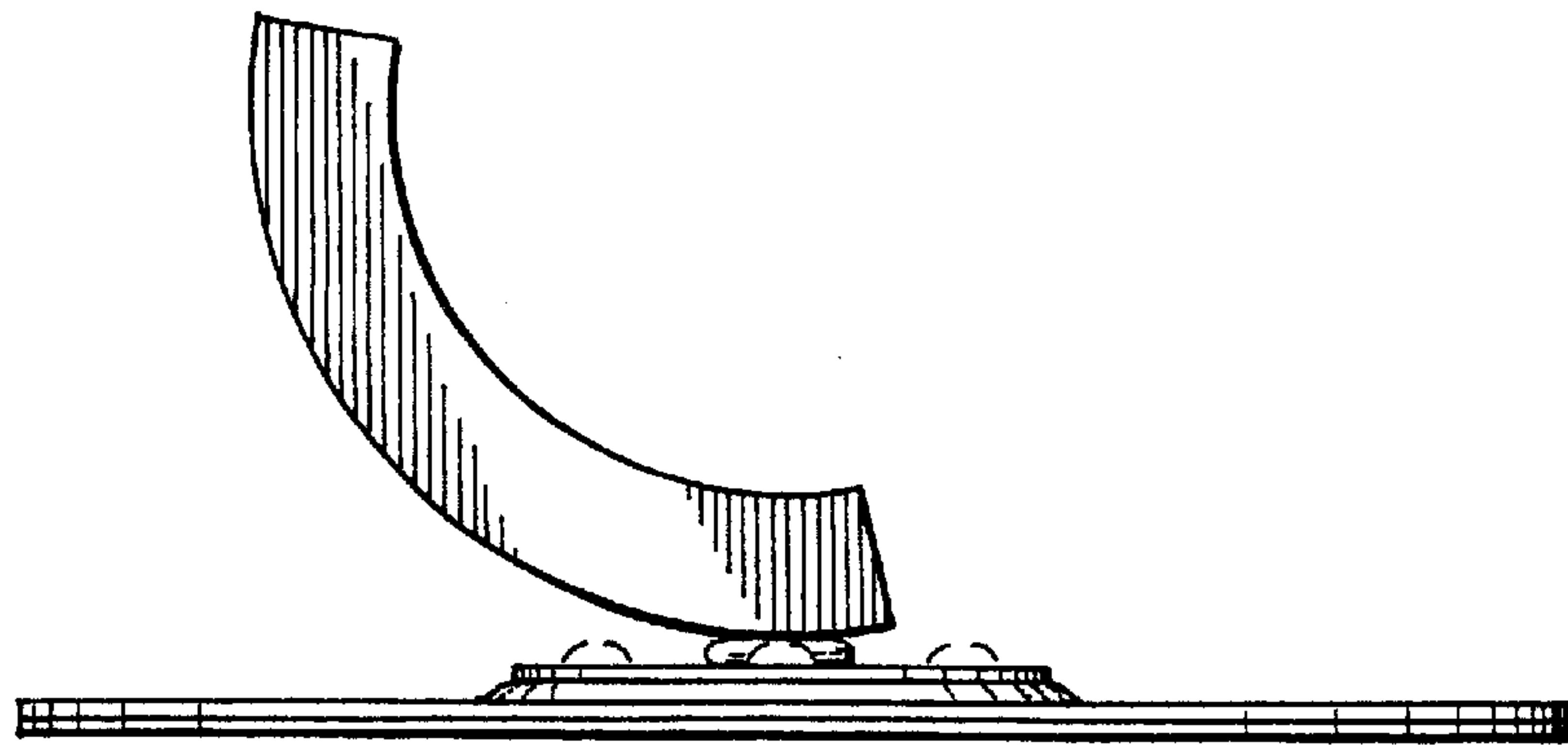
*Fig. 2*



*Fig. 3*

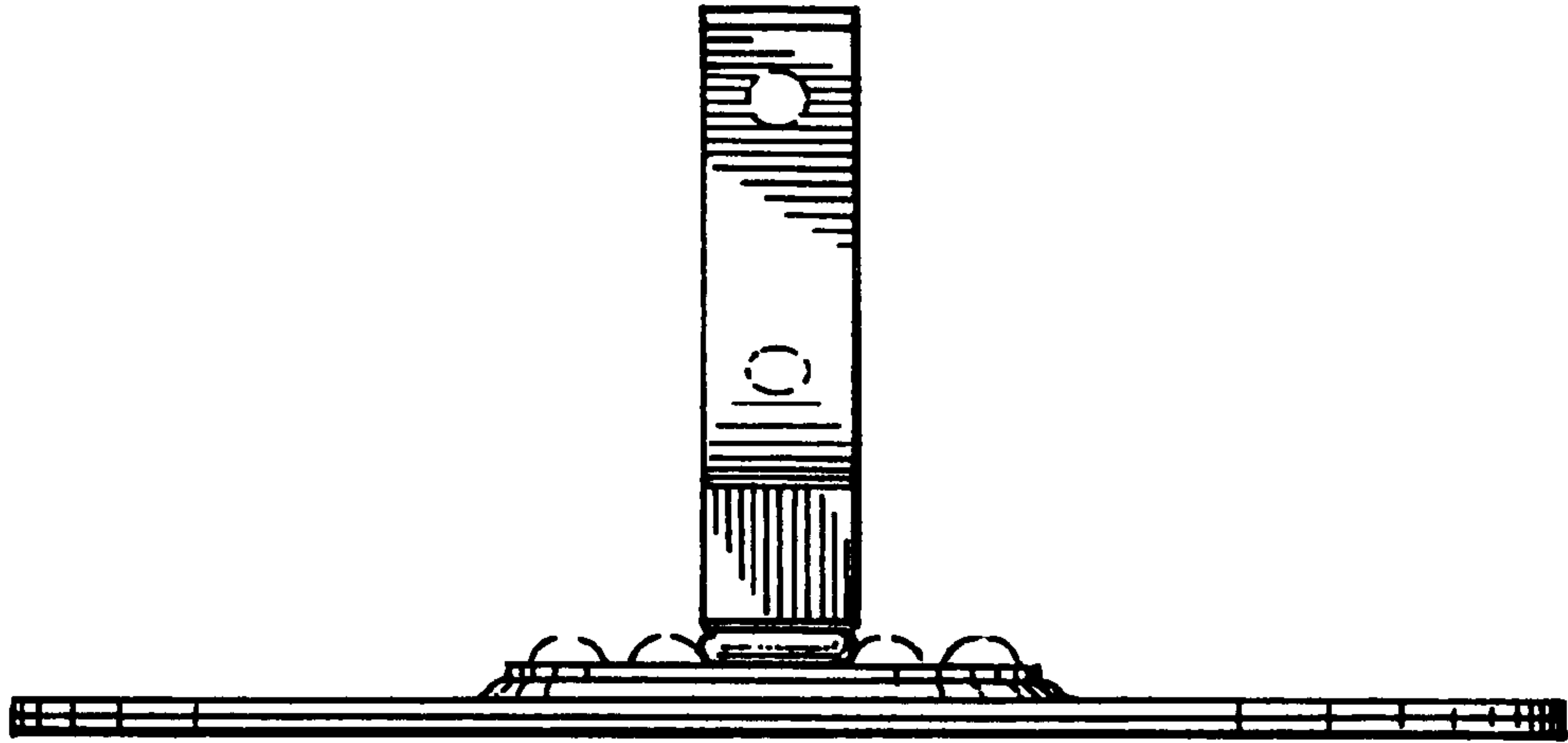


*Fig. 4*

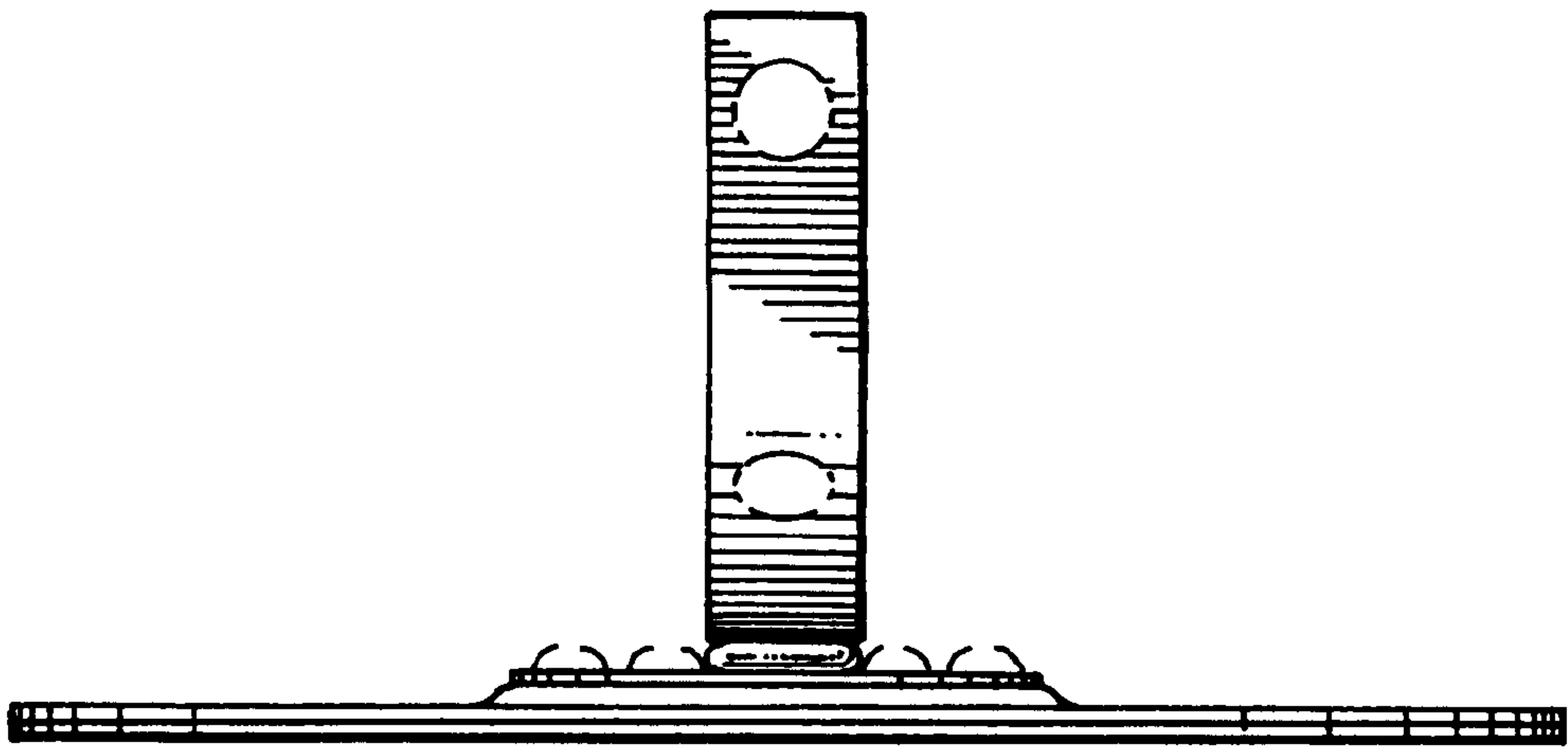


*Fig. 5*

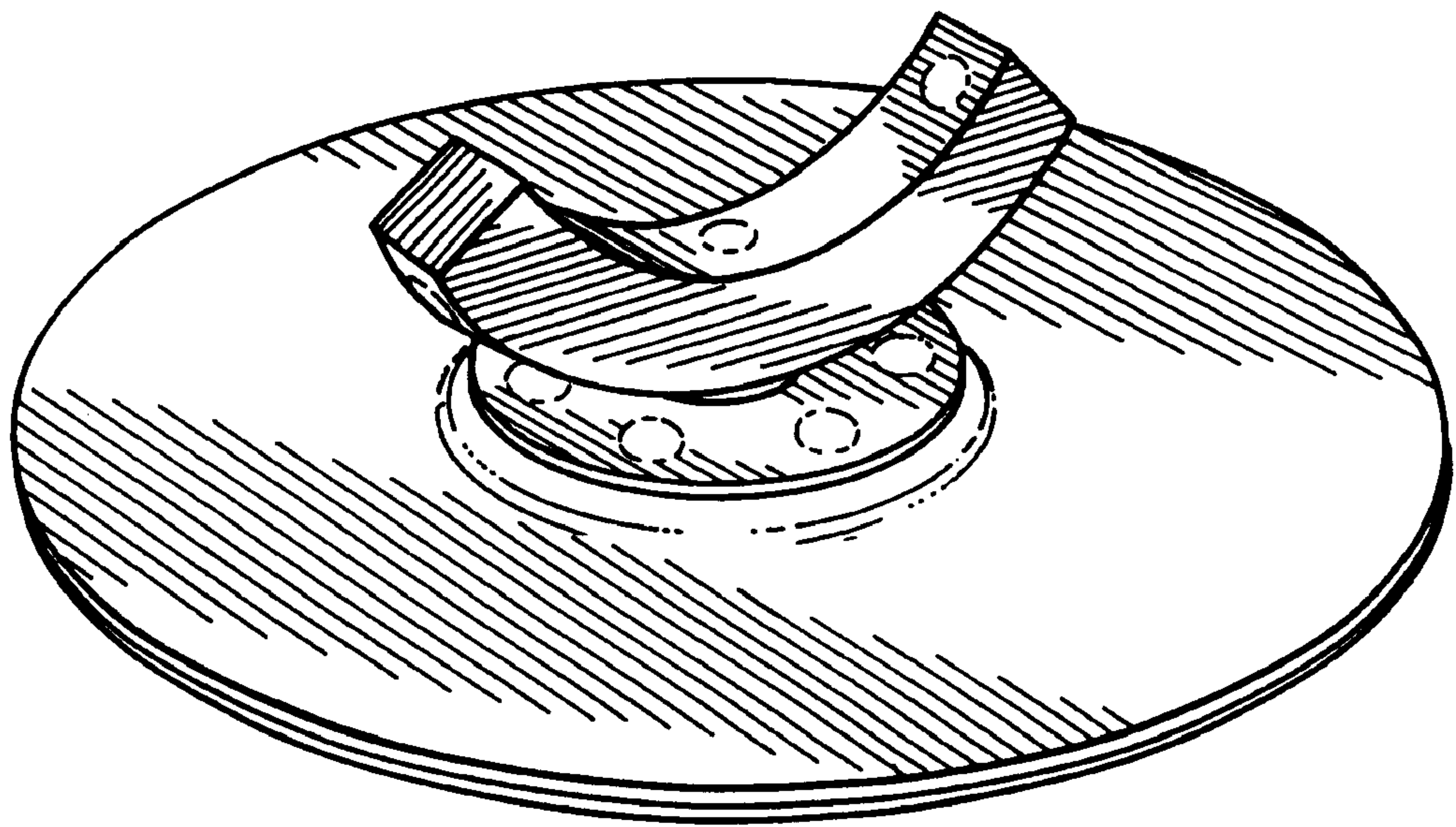




*Fig. 6*



*Fig. 7*



*Fig. 8*