



US00D479679S

(12) **United States Design Patent**  
**Wright**

(10) **Patent No.:** **US D479,679 S**

(45) **Date of Patent:** **\*\* Sep. 16, 2003**

(54) **POWER TOOL**

(75) Inventor: **Stuart J. Wright**, Timonium, MD (US)

(73) Assignee: **Black & Decker Inc.**, Newark, DE (US)

(\*\*) Term: **14 Years**

(21) Appl. No.: **29/160,654**

(22) Filed: **May 14, 2002**

(51) **LOC (7) Cl.** ..... **08-01**

(52) **U.S. Cl.** ..... **D8/62**

(58) **Field of Search** ..... D8/61, 62, 67, D8/69, 107, 300, DIG. 7, DIG. 8; D4/102; 16/110.1; 173/168, 169, 170, 171, 217; 310/50; 451/344, 351, 356, 357, 358, 359, 451

(56) **References Cited**

**U.S. PATENT DOCUMENTS**

3,899,852	A	*	8/1975	Batson	.....	451/359
D255,417	S	*	6/1980	Sakamoto et al.	.....	D8/62
4,489,525	A	*	12/1984	Heck	.....	451/344
D297,907	S	*	10/1988	Hoshimo et al.	.....	D8/62
5,207,028	A	*	5/1993	Timmons	.....	451/359
5,333,414	A	*	8/1994	Lee	.....	451/355
5,468,176	A	*	11/1995	Udert et al.	.....	451/359
5,609,516	A	*	3/1997	Courson et al.	.....	451/359
D396,175	S	*	7/1998	Chung	.....	D8/62
D408,244	S	*	4/1999	Price	.....	D8/62
6,241,594	B1	*	6/2001	Lepold	.....	451/359
D450,989	S	*	11/2001	Schoen	.....	D8/62
D453,098	S	*	1/2002	Pretzell	.....	D8/62
D453,288	S	*	2/2002	Lui	.....	D8/62
6,464,573	B1	*	10/2002	Keller	.....	451/451

6,527,630 B2 \* 3/2003 Mannsperger et al. .... 451/344

\* cited by examiner

*Primary Examiner*—Doris V. Coles

*Assistant Examiner*—Elizabeth Albert

(74) *Attorney, Agent, or Firm*—Adan Ayala

(57) **CLAIM**

The ornamental design for a power tool, as shown and described.

**DESCRIPTION**

FIG. 1 is a rear perspective view from the left side of a first embodiment of a power tool showing our new design.

FIG. 2 is a front elevational view of the first embodiment.

FIG. 3 is a rear elevational view of the first embodiment.

FIG. 4 is a right side elevational view of the first embodiment.

FIG. 5 is a left side elevational view of the first embodiment.

FIG. 6 is a top plan view of the first embodiment.

FIG. 7 is a bottom plan view of the first embodiment.

FIG. 8 is a rear perspective view from the left side of a second embodiment of a power tool showing our new design.

FIG. 9 is a front elevational view of the second embodiment.

FIG. 10 is a rear elevational view of the second embodiment.

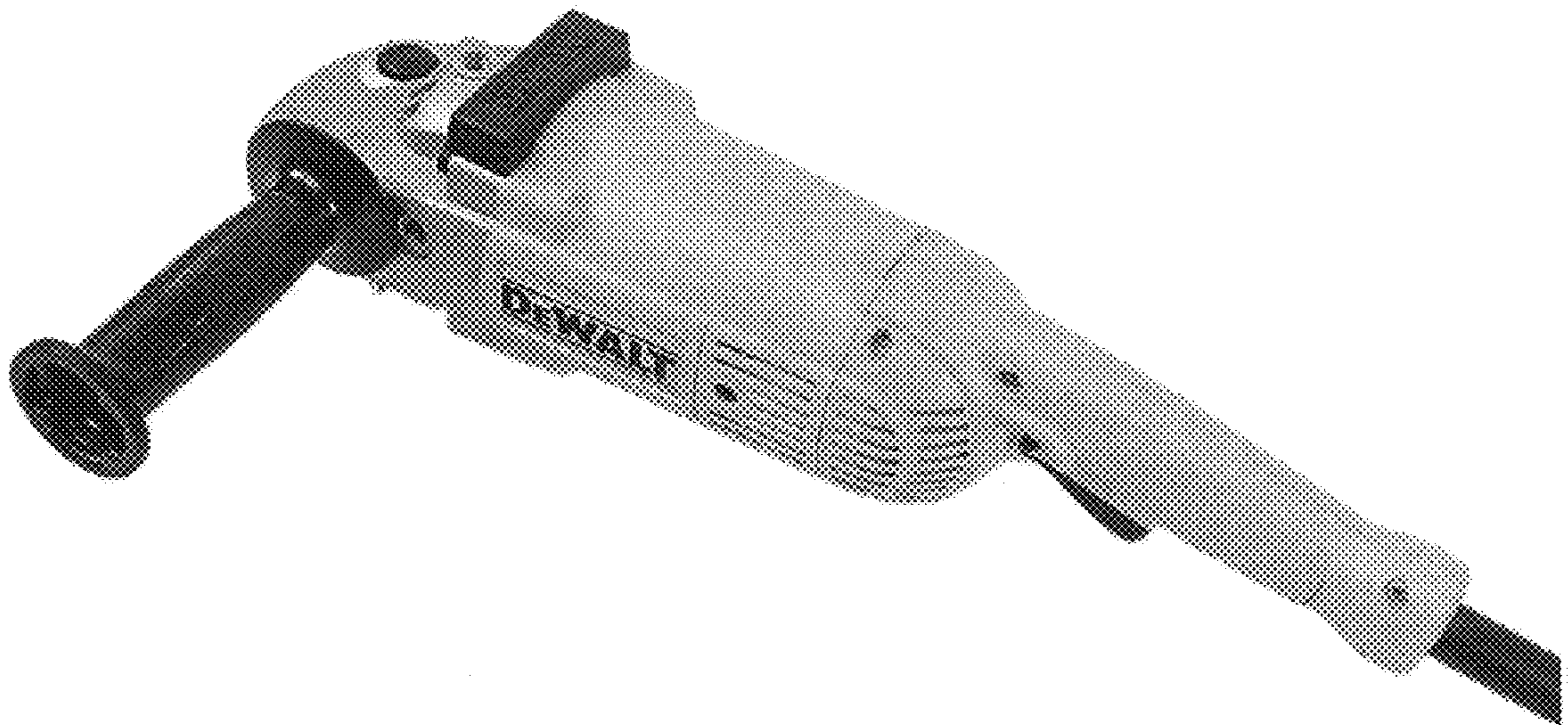
FIG. 11 is a right side elevational view of the second embodiment.

FIG. 12 is a left side elevational view of the second embodiment.

FIG. 13 is a top plan view of the second embodiment; and, FIG. 14 is a bottom plan view of the second embodiment.

In the above drawings, any wording or numerals shown therein does not form a part of the invention.

**1 Claim, 14 Drawing Sheets**



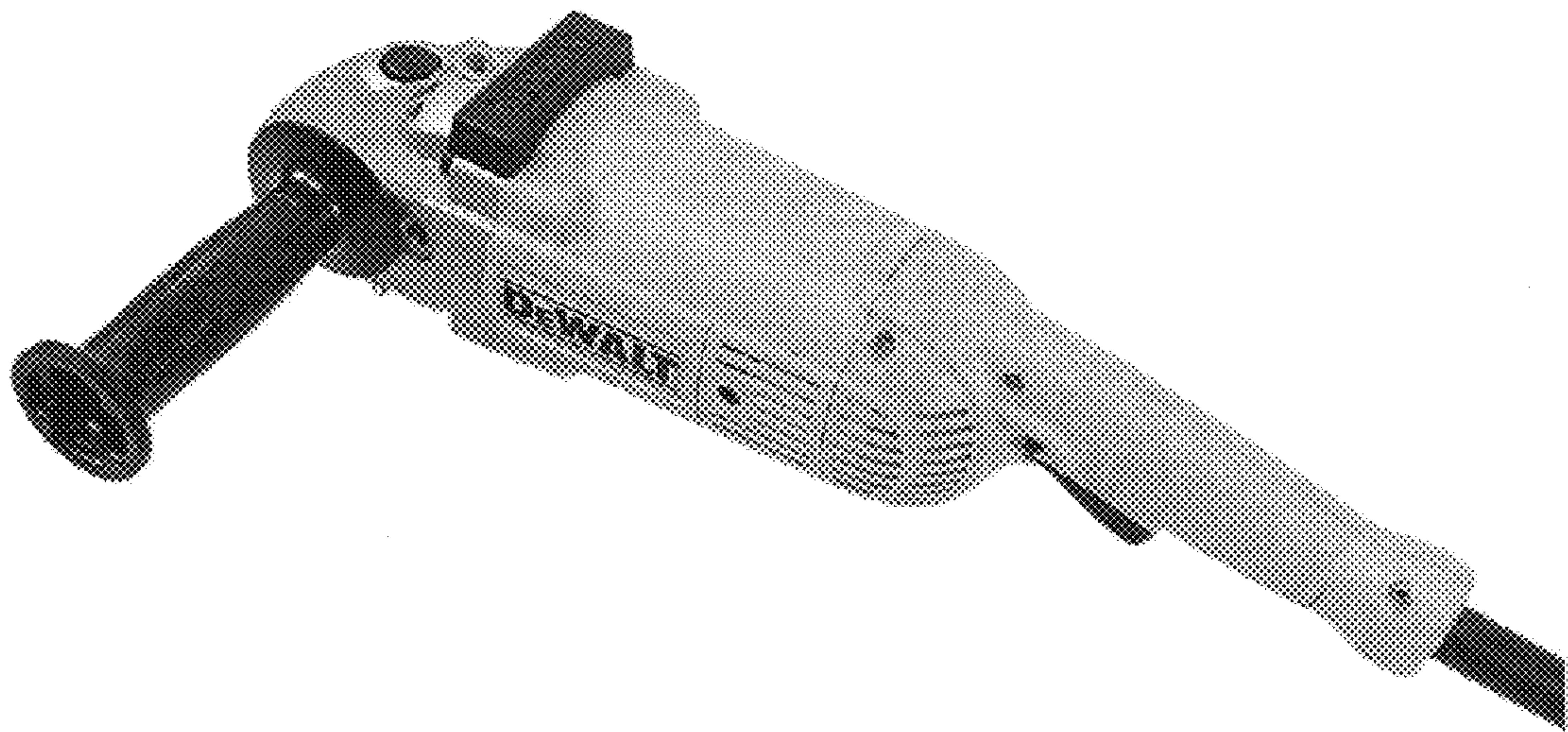


FIG. 1



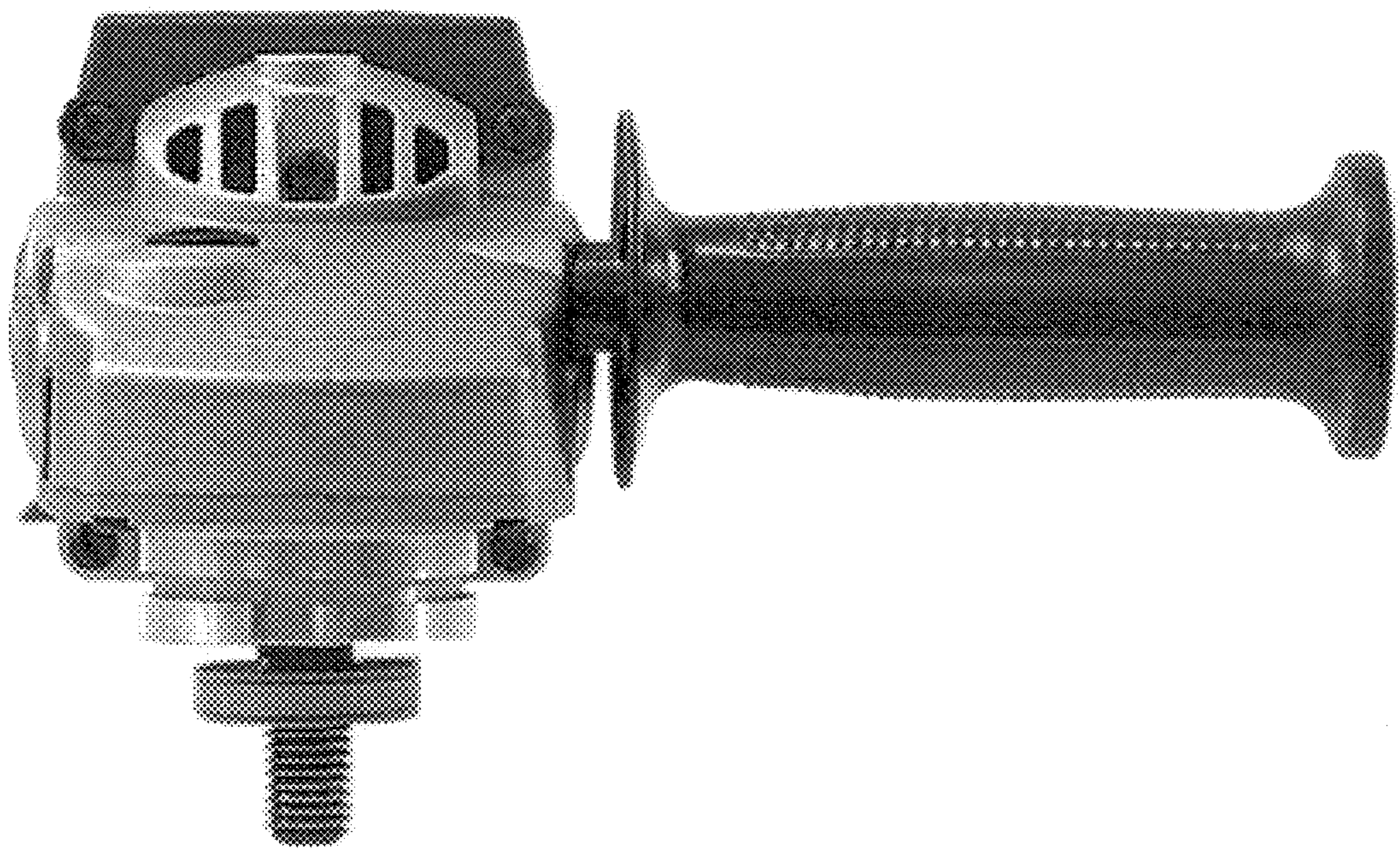


FIG. 2

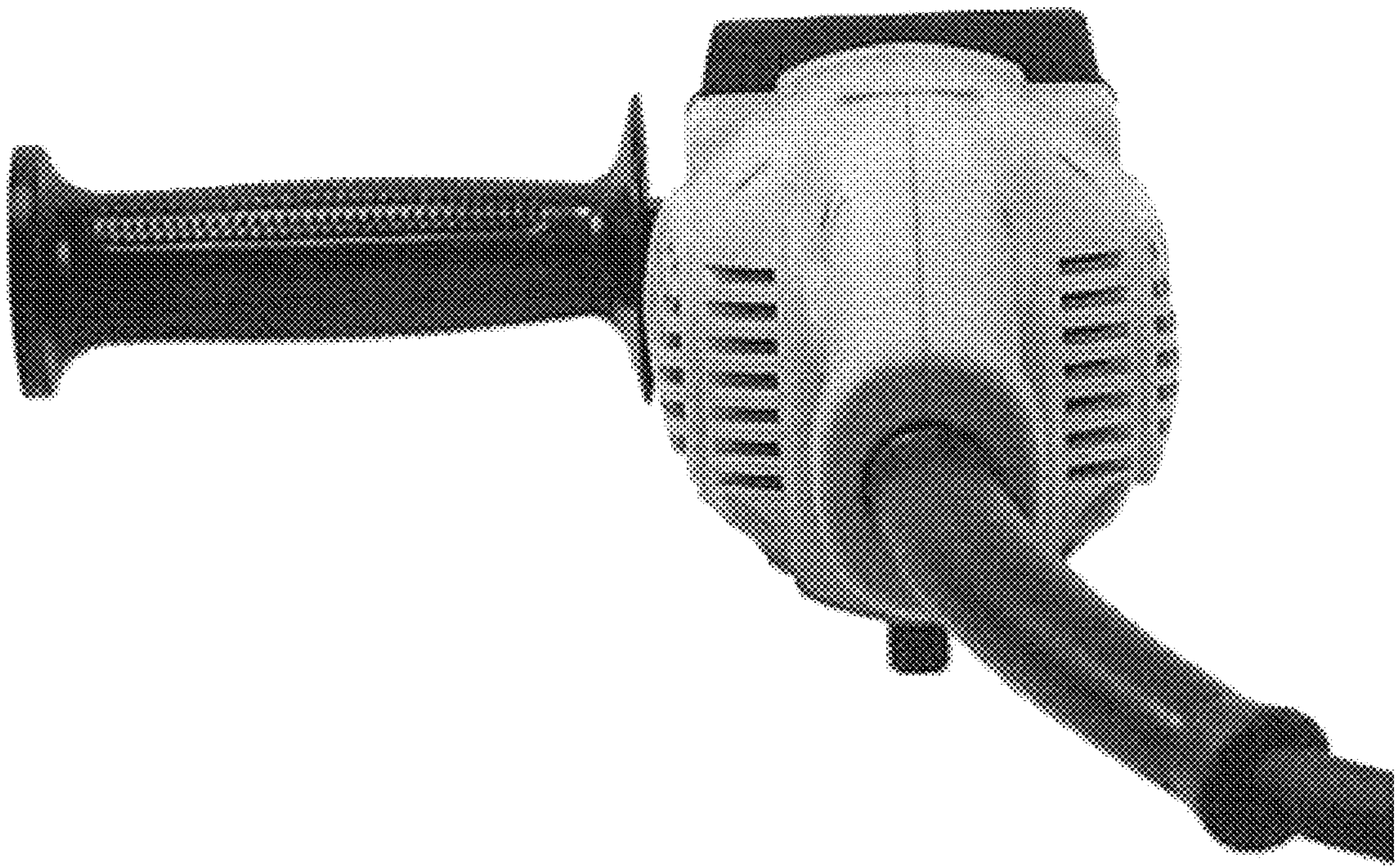


FIG. 3



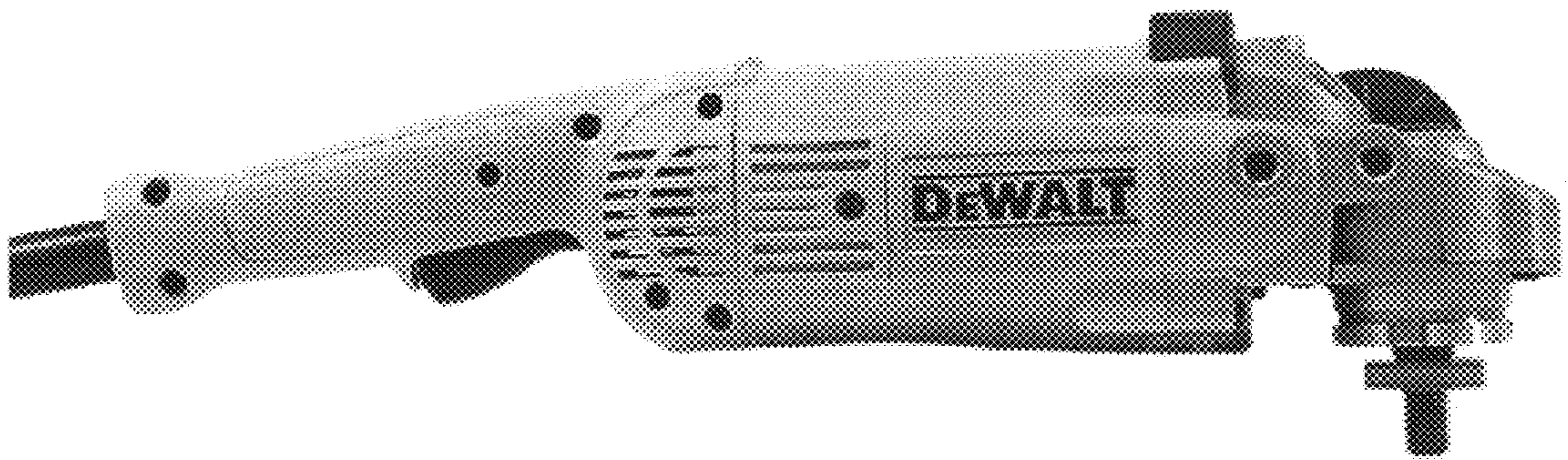


FIG. 4

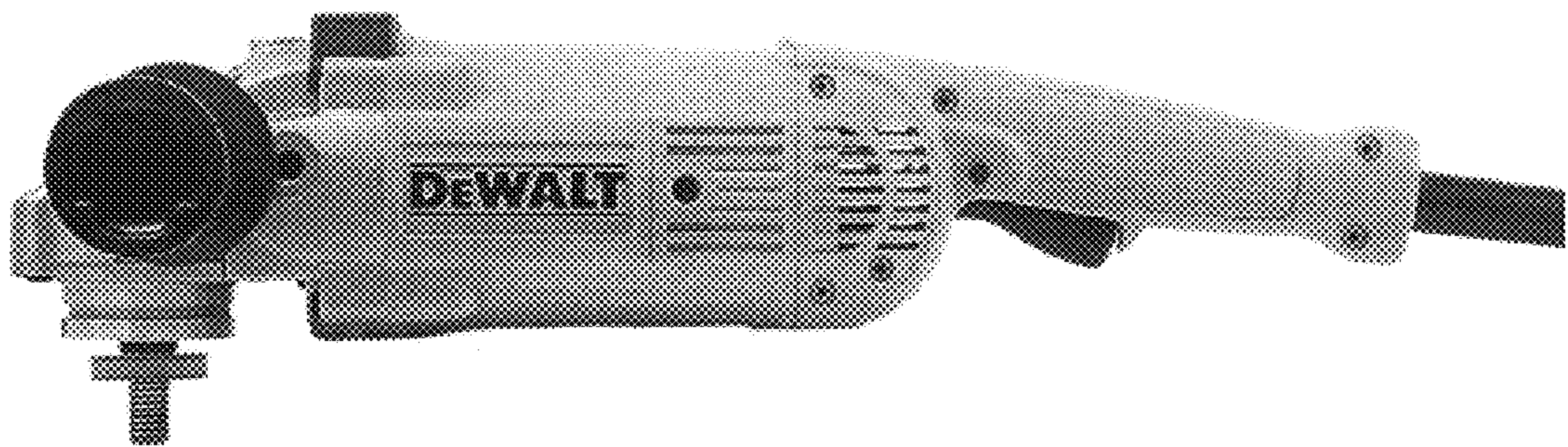


FIG. 5

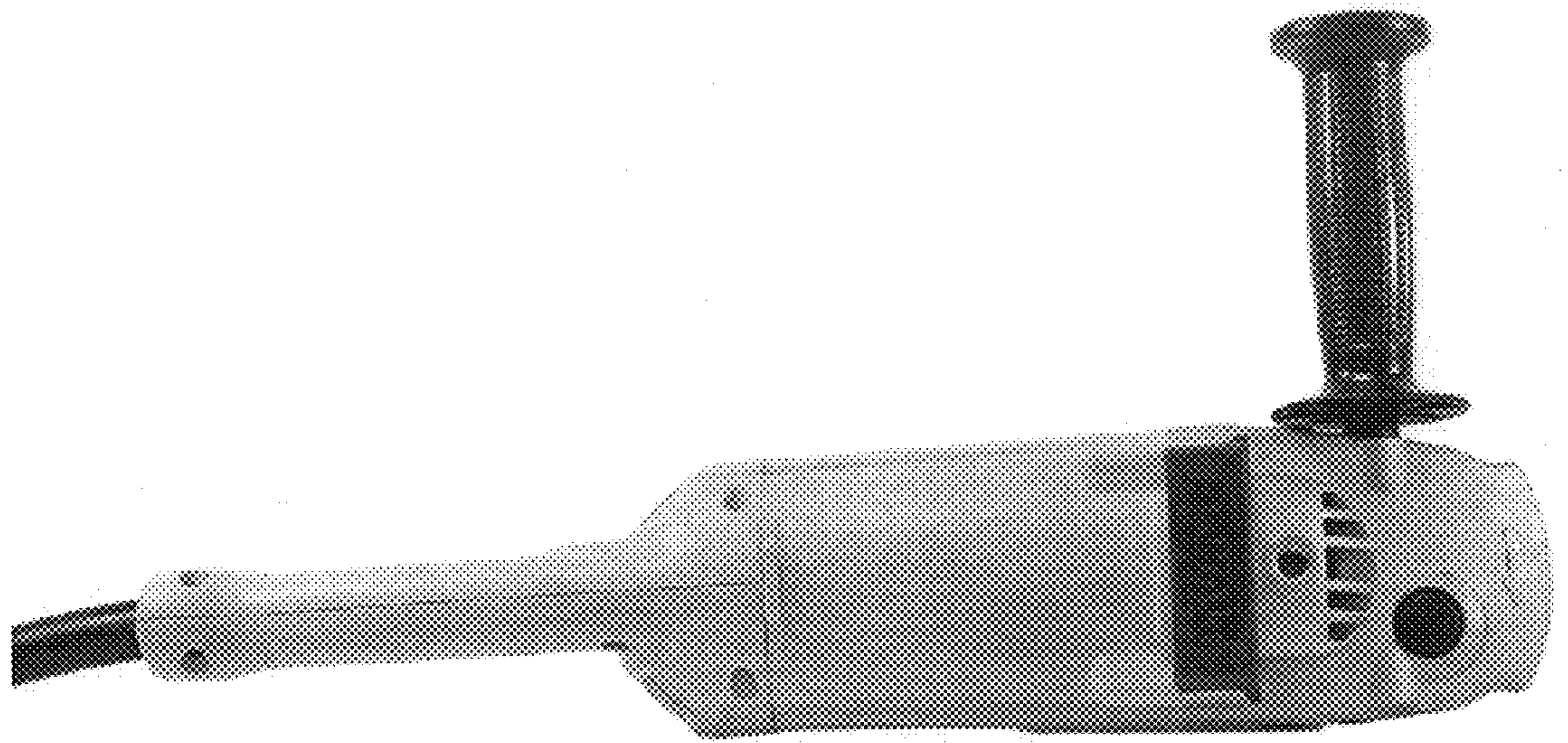


FIG. 6



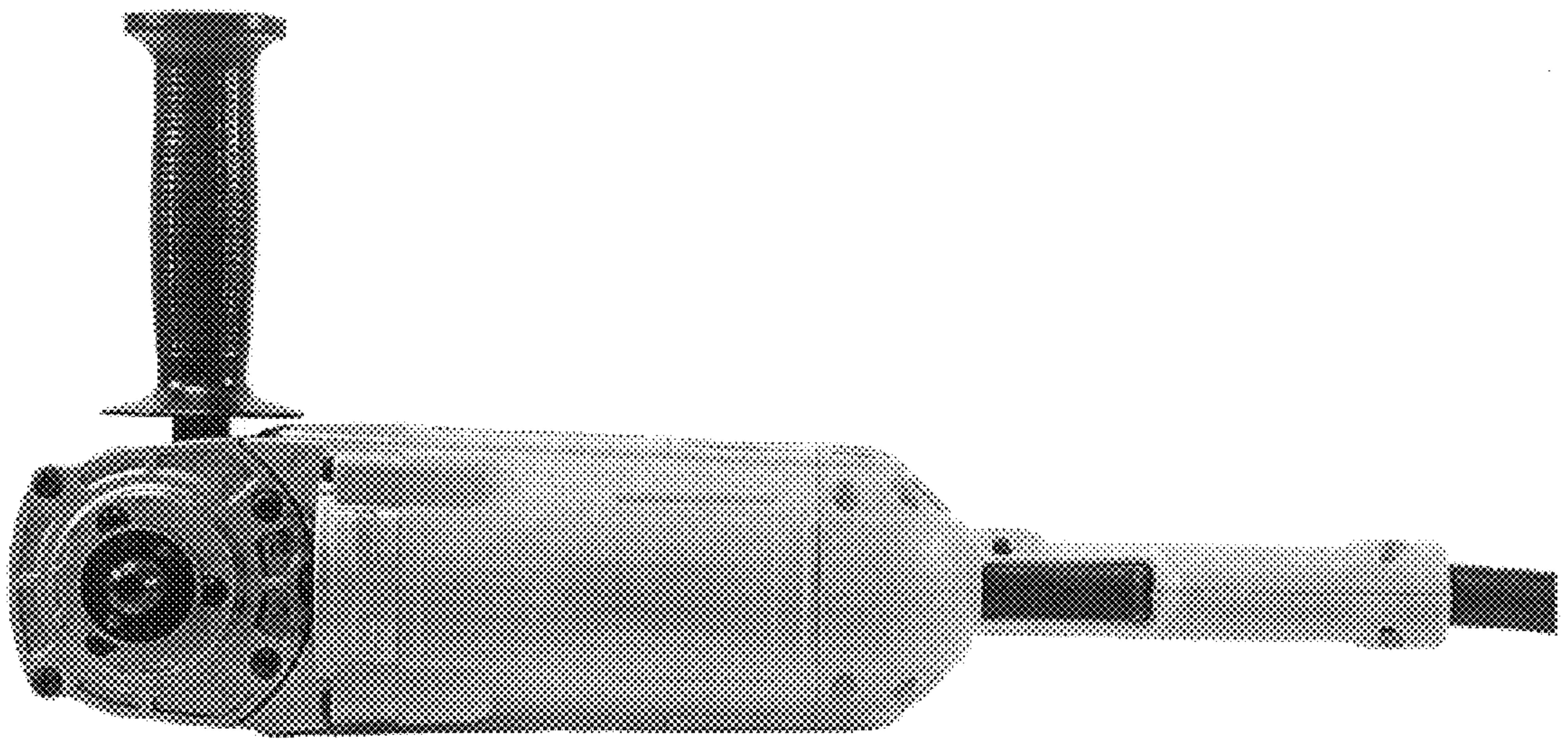


FIG. 7



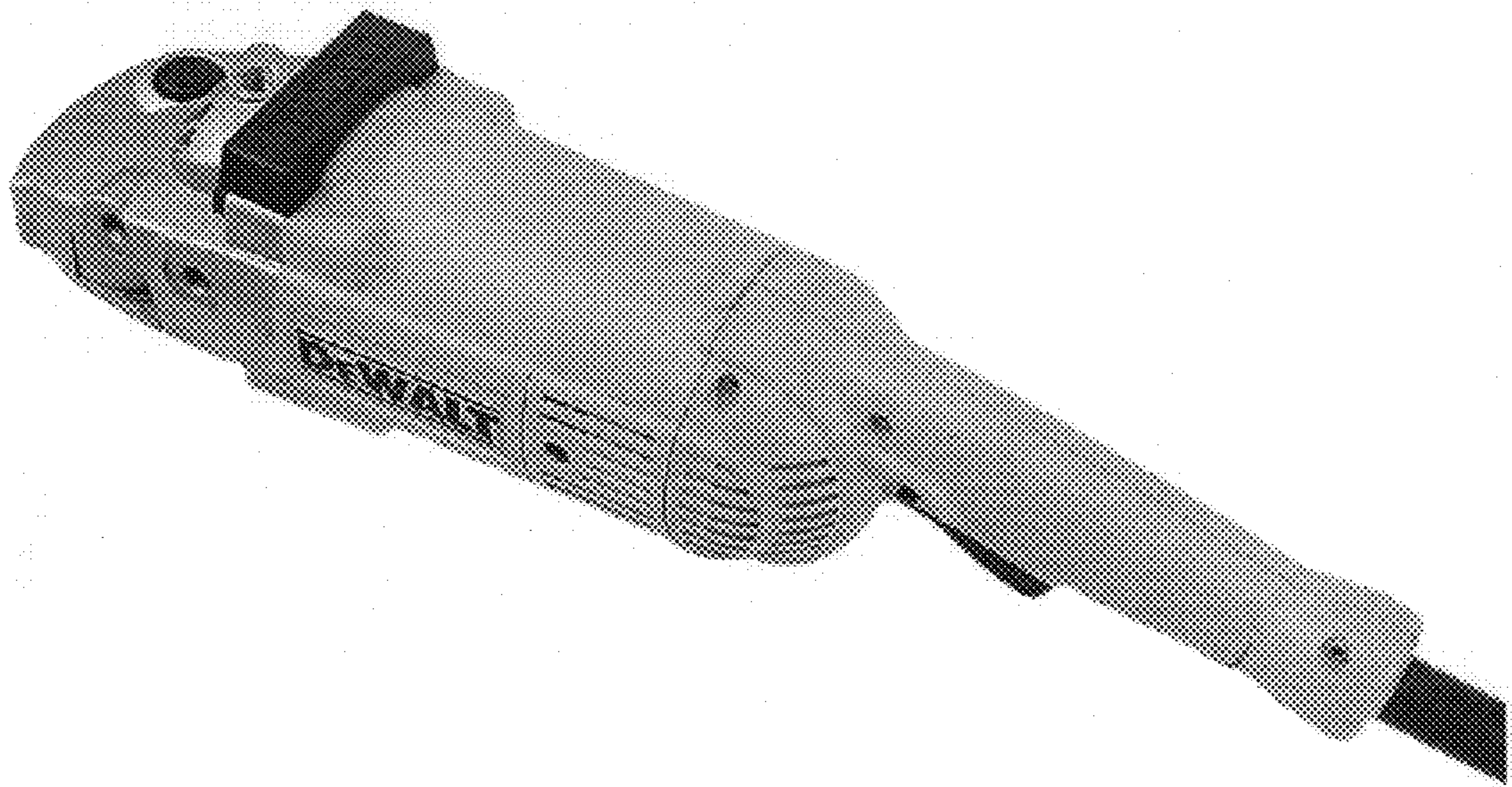


FIG. 8

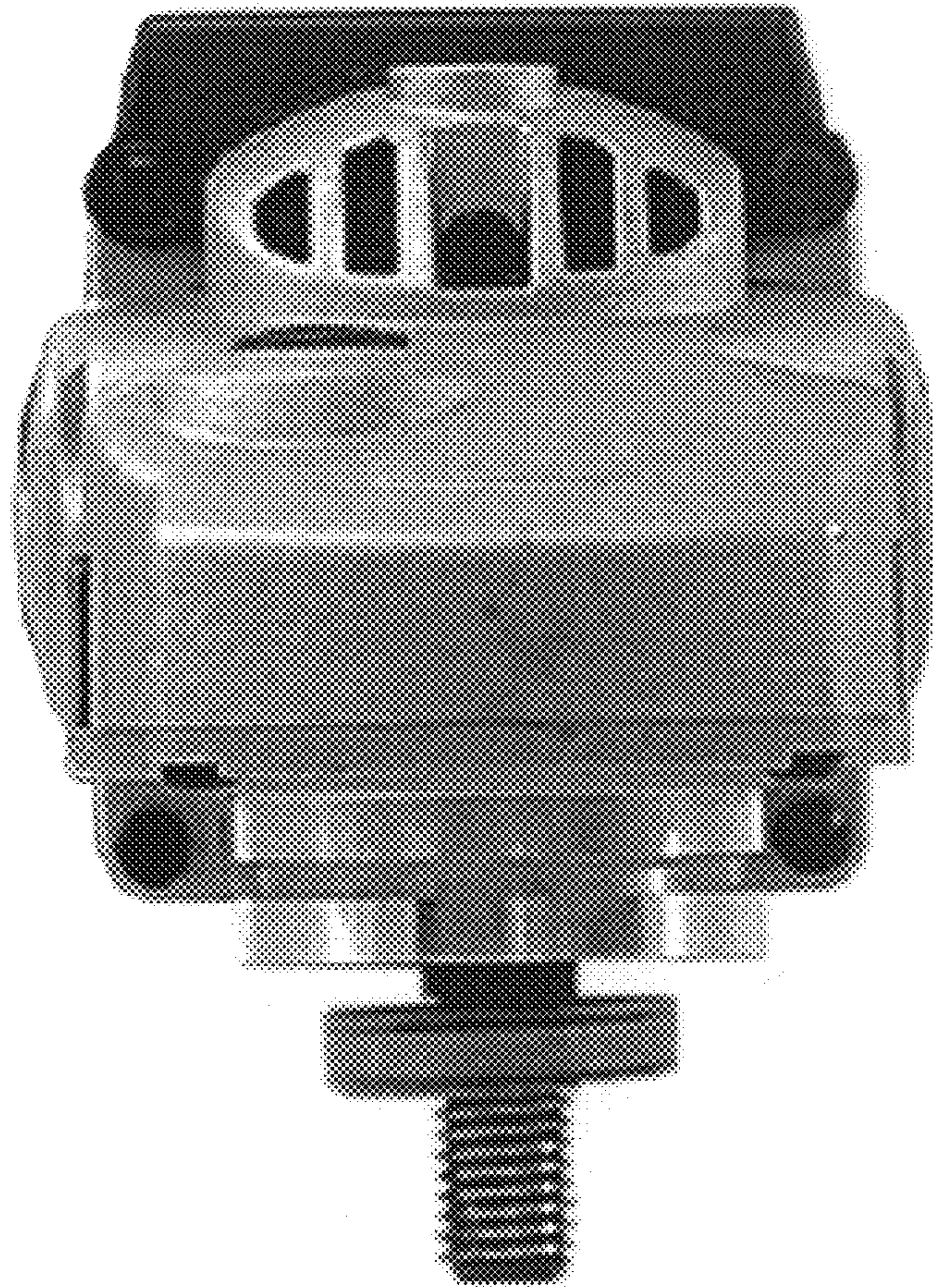


FIG. 9





FIG. 10

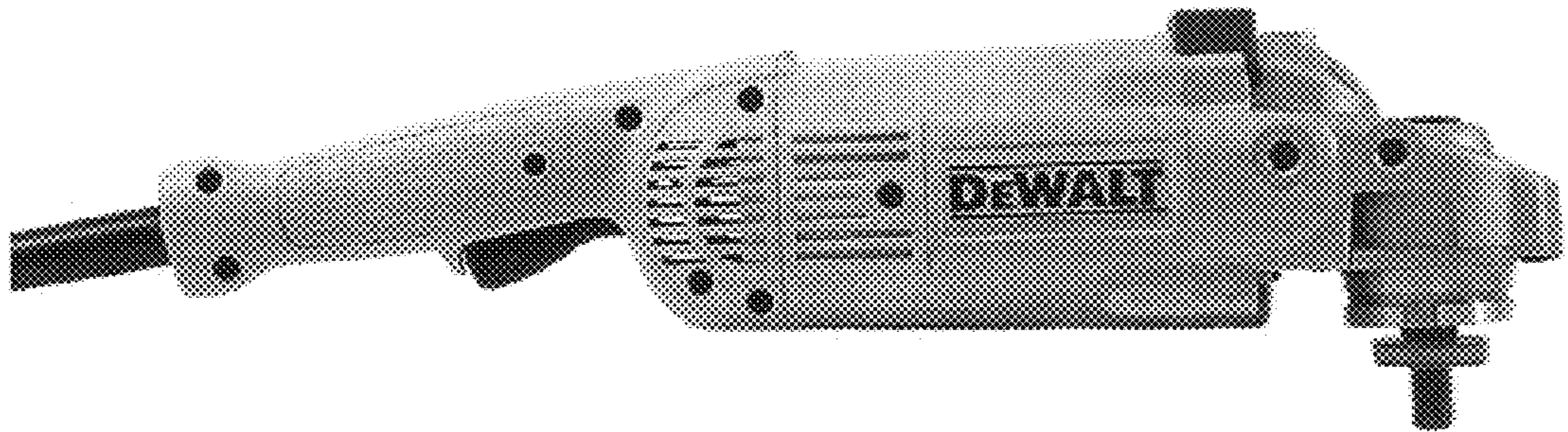


FIG. 11



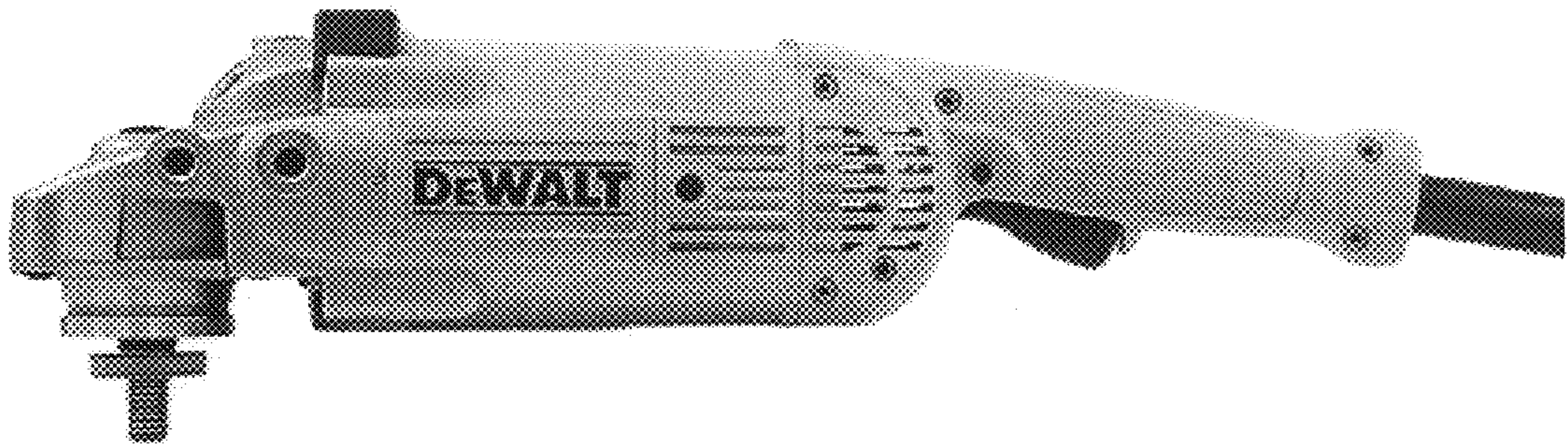


FIG. 12

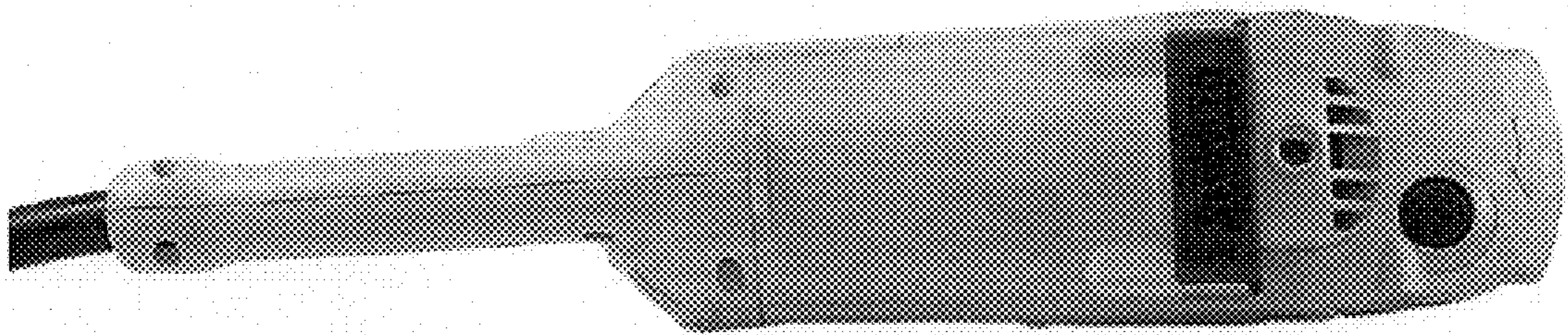


FIG. 13



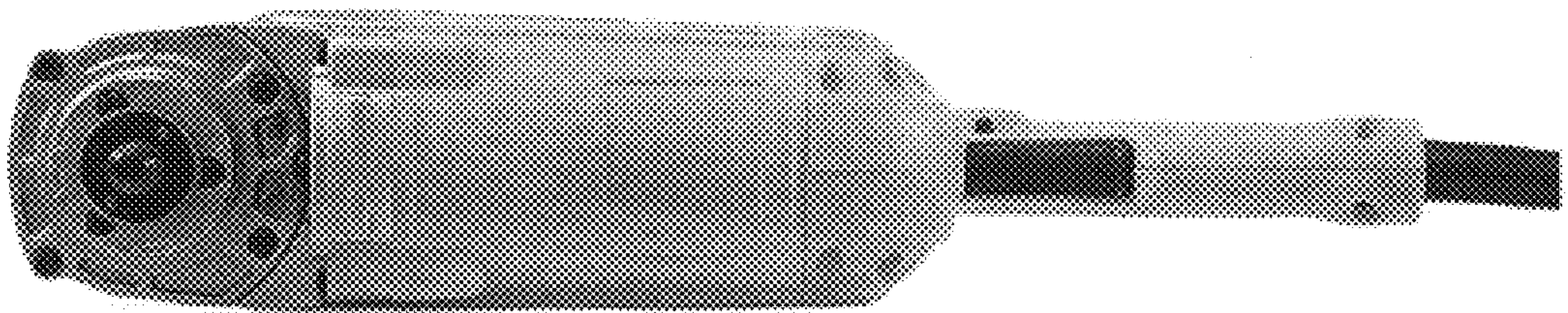


FIG. 14