



US00D479677S

(12) **United States Design Patent**
Van Wambeke et al.

(10) **Patent No.:** **US D479,677 S**
(45) **Date of Patent:** **** Sep. 16, 2003**

- (54) **VEGETATION TRIMMER**
- (75) Inventors: **Weston J. Van Wambeke**,
Cockeysville, MD (US); **Richard P. Rosa**,
Kingston (CA); **Sean David Wilkinson**,
Brockville (CA); **David S. Strong**,
Battersea (CA); **Ted Andrew Kimball**,
Oxford Station (CA); **Philip T. Cassidy**,
Kemptville (CA); **Marta J. Acuña**,
Baltimore, MD (US)
- (73) Assignee: **Black & Decker Inc.**,
Newark, DE (US)
- (**) Term: **14 Years**
- (21) Appl. No.: **29/173,248**
- (22) Filed: **Dec. 23, 2002**

D320,398 S	10/1991	Clivio	
5,181,369 A	1/1993	Everts	
D343,554 S	1/1994	Watanabe et al.	
D349,220 S	8/1994	Griffin	
D349,221 S	8/1994	Griffin	
D354,892 S	1/1995	Griffin	
D361,701 S	8/1995	Pink	
D367,595 S	3/1996	Dahlberg et al.	
D368,005 S	3/1996	Lemcke	
D369,071 S	4/1996	Tuggle et al.	
D382,450 S	8/1997	Meisner et al.	
D382,779 S	8/1997	Meisner et al.	
D382,780 S	8/1997	Meisner et al.	
5,867,911 A	2/1999	Yates et al.	
D414,388 S	* 9/1999	Wright	D8/8
D417,371 S	12/1999	Searle et al.	
D427,861 S	* 7/2000	Cooper et al.	D8/8
D440,131 S	* 4/2001	Aglassinger et al.	D8/8
D446,699 S	* 8/2001	Marshall et al.	D8/8

* cited by examiner

Related U.S. Application Data

- (63) Continuation of application No. 29/161,759, filed on Jun. 4, 2002.
- (51) **LOC (7) Cl.** **08-01**
- (52) **U.S. Cl.** **D8/8**
- (58) **Field of Search** D8/1, 8, 9; 30/276, 30/DIG. 5; 172/13, 14; 56/12.7

Primary Examiner—Robin V. Taylor
(74) *Attorney, Agent, or Firm*—Harness, Dickey & Pierce, P.L.C.

(57) **CLAIM**

The ornamental design for a vegetation trimmer, as shown and described.

DESCRIPTION

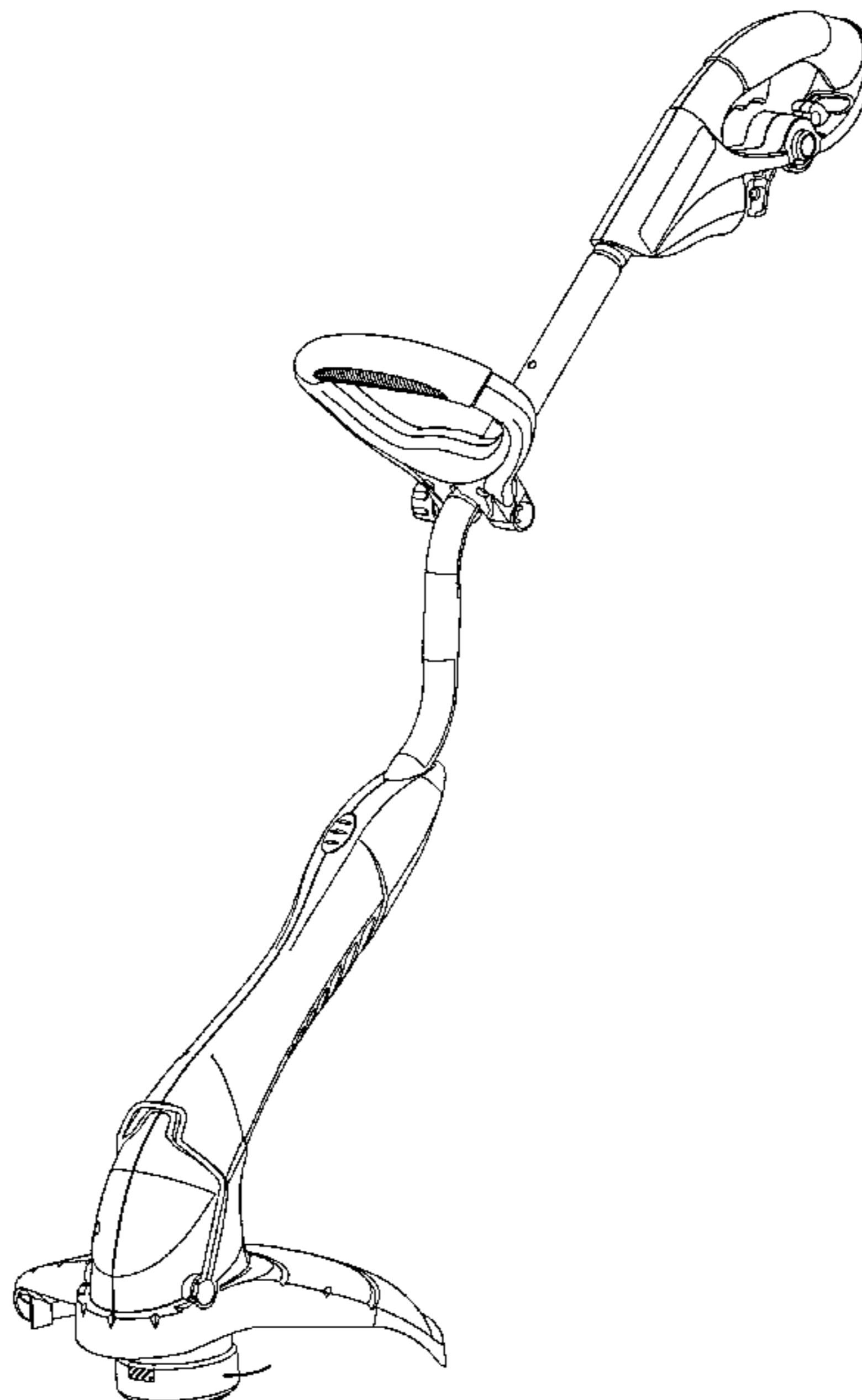
FIG. 1 is a perspective view of the vegetation trimmer of the present invention;
FIG. 2 is a right side view of the trimmer;
FIG. 3 is a front view of the trimmer;
FIG. 4 is a rear view of the trimmer;
FIG. 5 is a top view of the trimmer; and,
FIG. 6 is a bottom view of the trimmer.

(56) **References Cited**

U.S. PATENT DOCUMENTS

D251,699 S	5/1979	Averitt
4,188,719 A	2/1980	Hoff
4,651,422 A	3/1987	Everts
D301,009 S	5/1989	Pilatowicz et al.
4,860,451 A	8/1989	Pilatowicz et al.
D305,198 S	12/1989	White et al.
D307,860 S	5/1990	Ellis
D317,852 S	7/1991	Fujiwara et al.

1 Claim, 5 Drawing Sheets



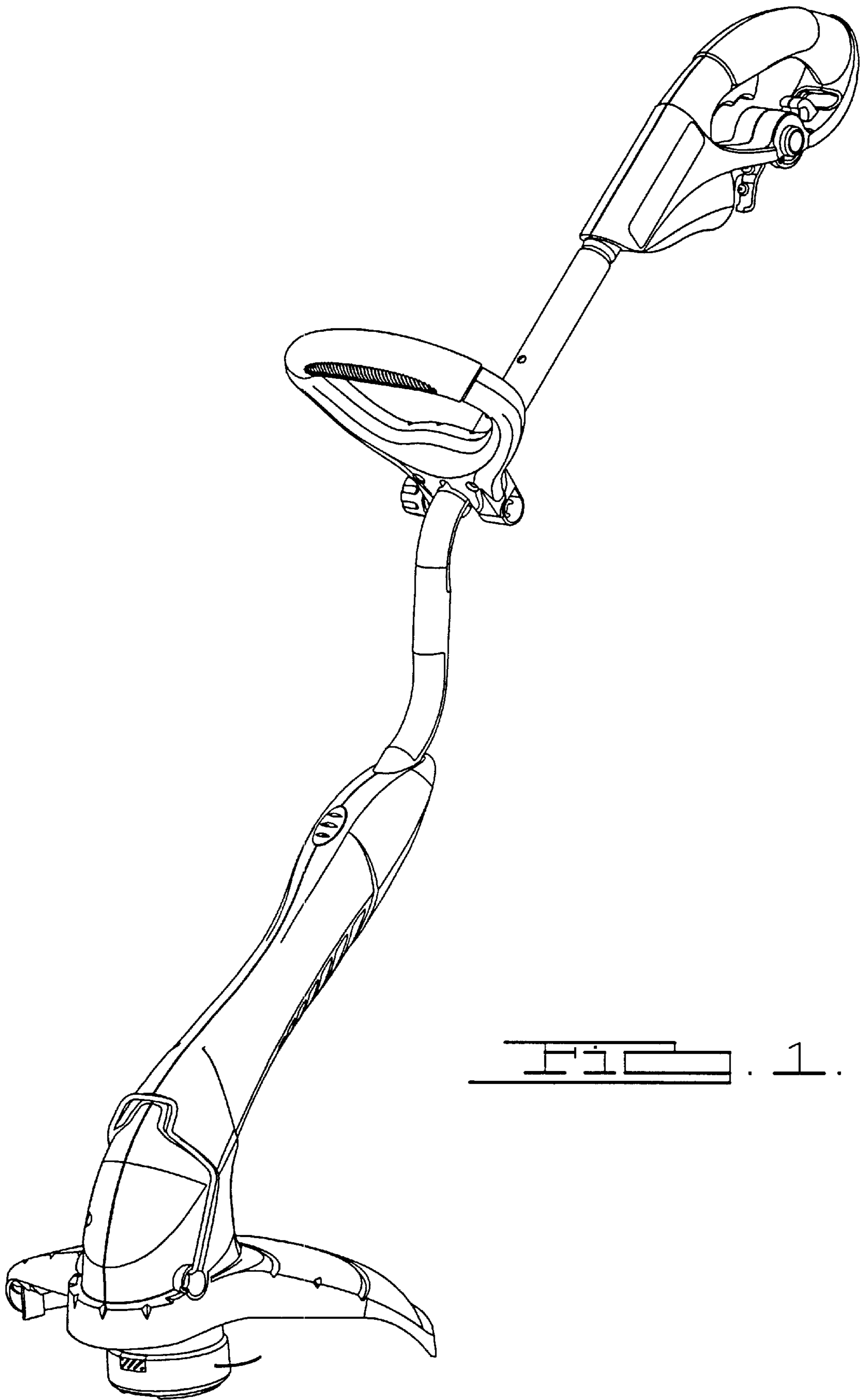


FIG. 1.

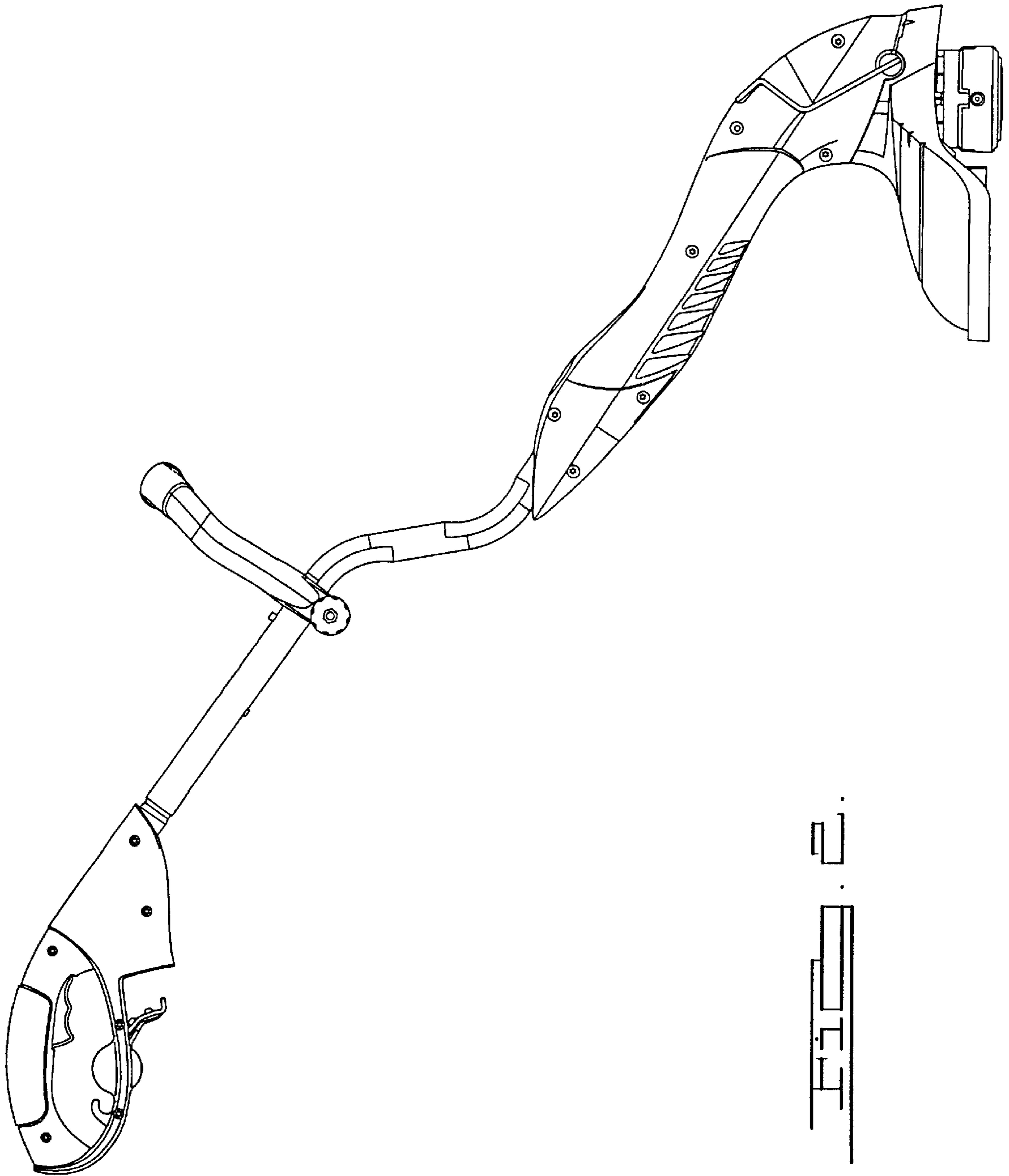


FIG. 2

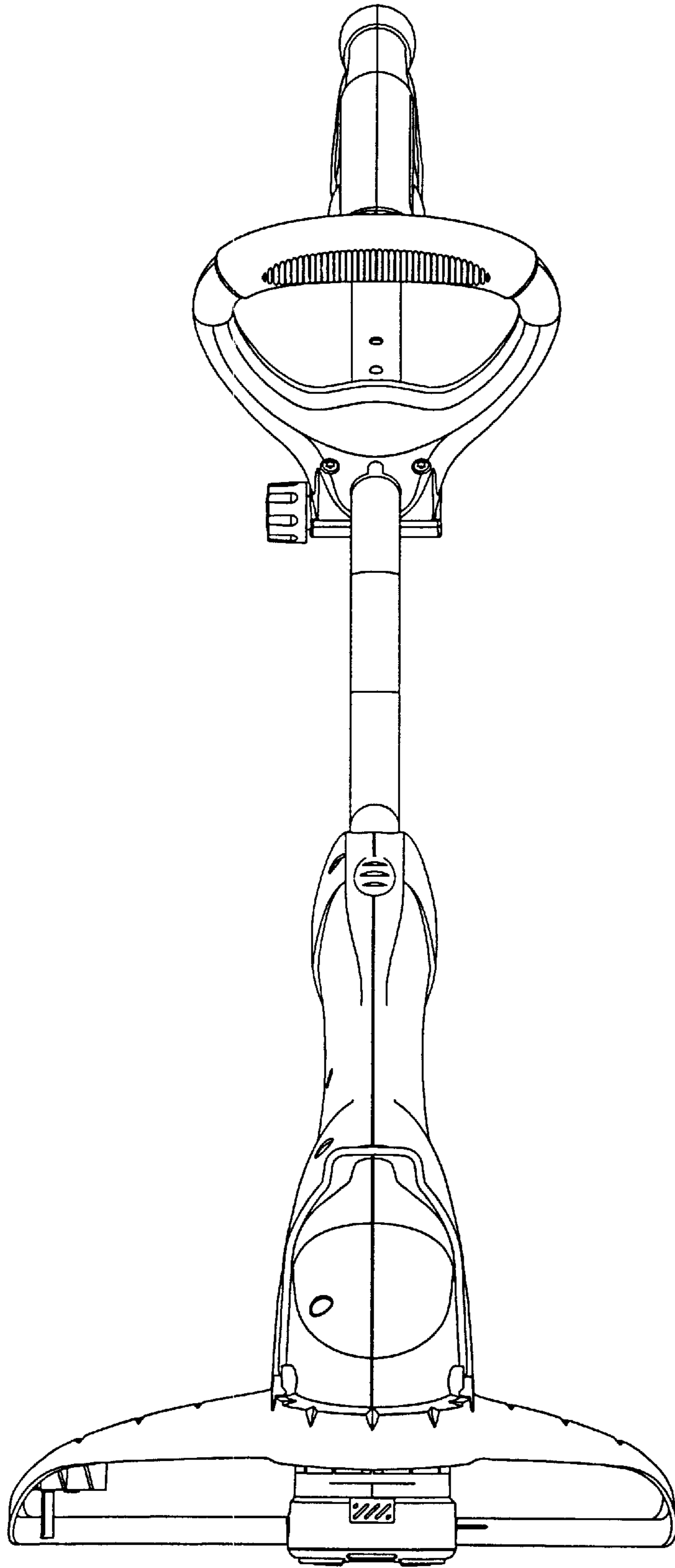


FIG. 3.

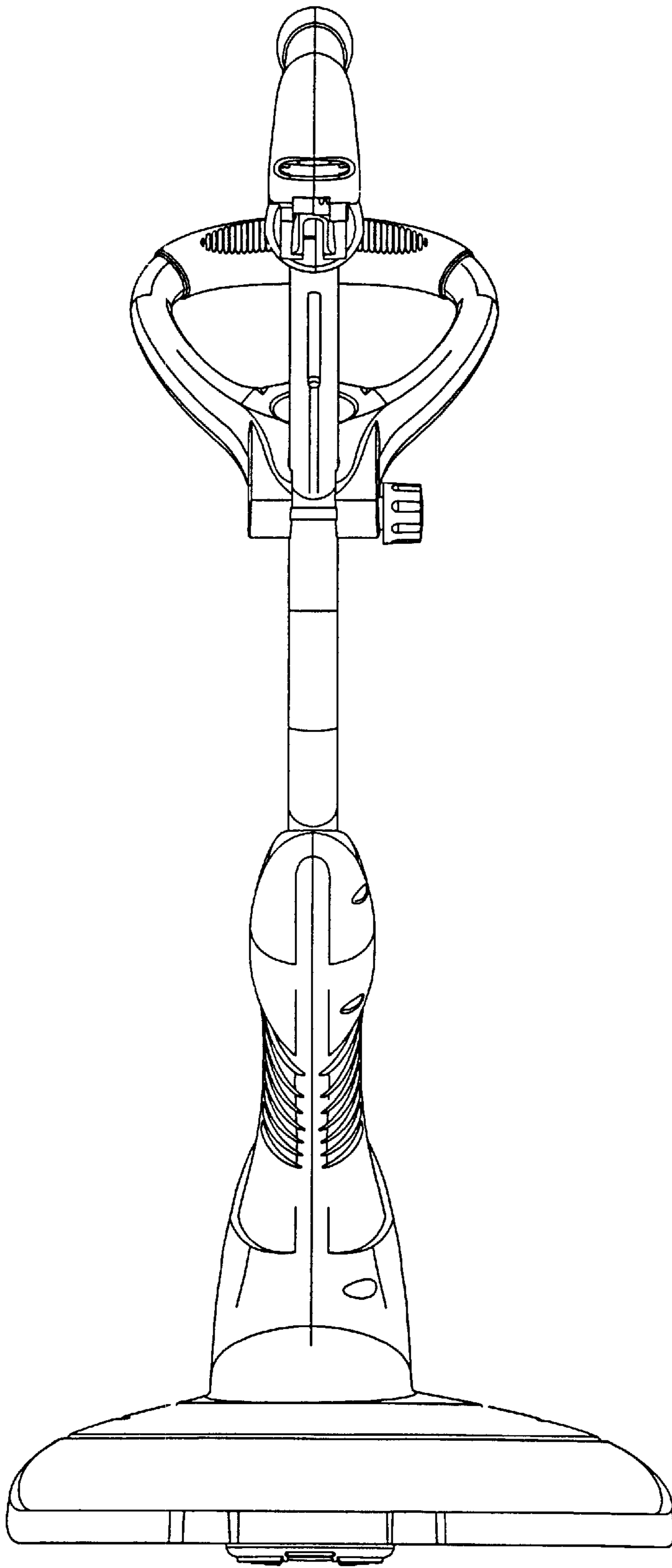


FIG. 4.

