



US00D479676S

(12) **United States Design Patent**
Van Wambeke et al.

(10) **Patent No.:** **US D479,676 S**
(45) **Date of Patent:** **** Sep. 16, 2003**

(54) **VEGETATION TRIMMER WITH HANDLE**

(75) Inventors: **Weston J. Van Wambeke**,
Cockeysville, MD (US); **Sean David**
Wilkinson, Brockville (CA); **Richard**
P. Rosa, Kingston (CA); **Marta J.**
Acuña, Baltimore, MD (US)

(73) Assignee: **Black & Decker Inc.**, Newark, DE
(US)

(**) Term: **14 Years**

(21) Appl. No.: **29/173,246**

(22) Filed: **Dec. 23, 2002**

D343,554 S	1/1994	Watanabe et al.	
D349,220 S	8/1994	Griffin	
D349,221 S	8/1994	Griffin	
D354,892 S	1/1995	Griffin	
D361,701 S	8/1995	Pink	
D367,595 S	3/1996	Dahlberg et al.	
D368,005 S	3/1996	Lemcke	
D369,071 S	4/1996	Tuggle et al.	
D380,359 S	* 7/1997	Meisner et al.	D8/8
D382,450 S	8/1997	Meisner et al.	
D382,778 S	* 8/1997	Meisner et al.	D8/8
D382,779 S	8/1997	Meisner et al.	
D382,780 S	8/1997	Meisner et al.	
5,867,911 A	2/1999	Yates et al.	
D417,371 S	12/1999	Searle et al.	
6,116,349 A	* 9/2000	Wilson	172/14

* cited by examiner

Related U.S. Application Data

(63) Continuation of application No. 29/161,799, filed on Jun. 4,
2002.

(51) **LOC (7) Cl.** **08-01**

(52) **U.S. Cl.** **D8/8**

(58) **Field of Search** D8/1, 8, 9; 30/276,
30/DIG. 5; 172/13, 14; 56/12.7

Primary Examiner—Robin V. Taylor

(74) *Attorney, Agent, or Firm*—Harness, Dickey & Pierce,
P.L.C.

(57) **CLAIM**

The ornamental design for a vegetation trimmer with handle,
as shown and described.

(56) **References Cited**

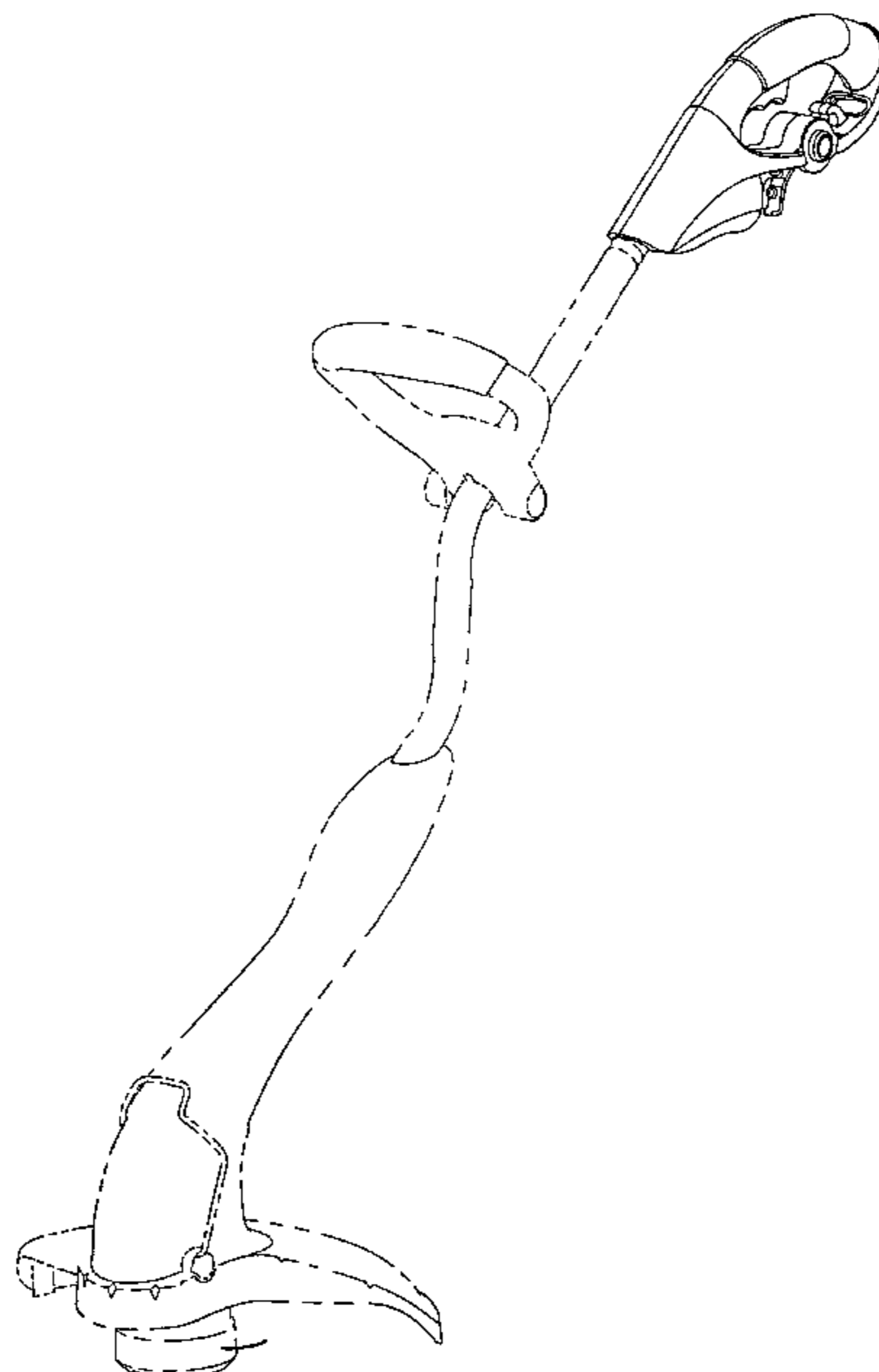
U.S. PATENT DOCUMENTS

D251,699 S	5/1979	Averitt	
4,188,719 A	2/1980	Hoff	
D256,769 S	* 9/1980	Irelan	D8/8
4,651,422 A	3/1987	Everts	
D301,009 S	5/1989	Pilatowicz et al.	
4,860,451 A	8/1989	Pilatowicz et al.	
D305,198 S	12/1989	White et al.	
D307,860 S	5/1990	Ellis	
D317,852 S	7/1991	Fujiwara et al.	
D320,398 S	10/1991	Clivio	
5,181,369 A	1/1993	Everts	

DESCRIPTION

FIG. 1 is a perspective view of the handle of the present
invention;
FIG. 2 is a right side view of the handle;
FIG. 3 is a left side view of the handle;
FIG. 4 is a front view of the handle;
FIG. 5 is a rear view of the handle;
FIG. 6 is a top view of the handle; and,
FIG. 7 is a bottom view of the handle.
The broken line showing of is for illustrative purposes only
and forms no part of the claimed design.

1 Claim, 3 Drawing Sheets



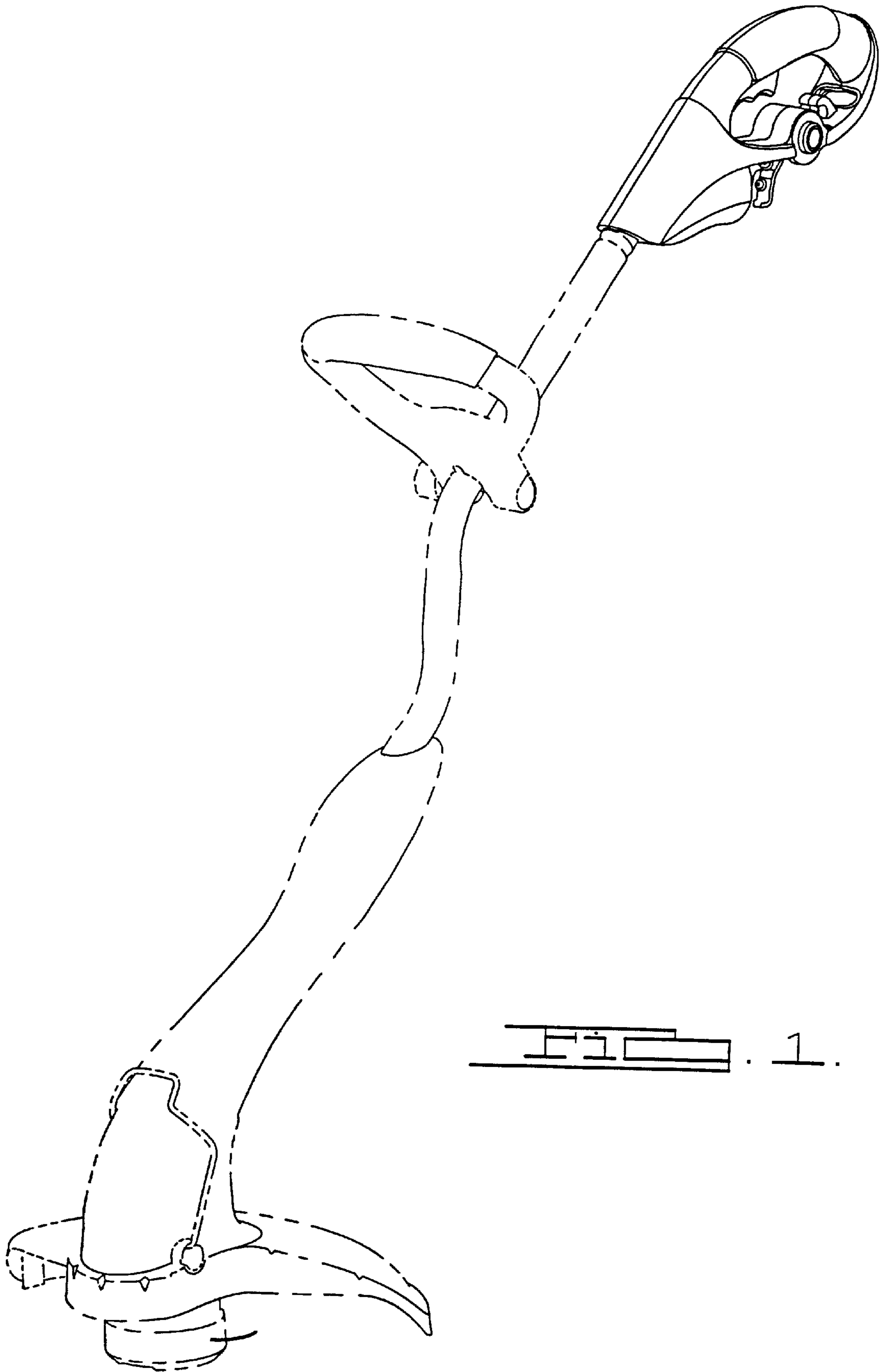


FIG. 1.

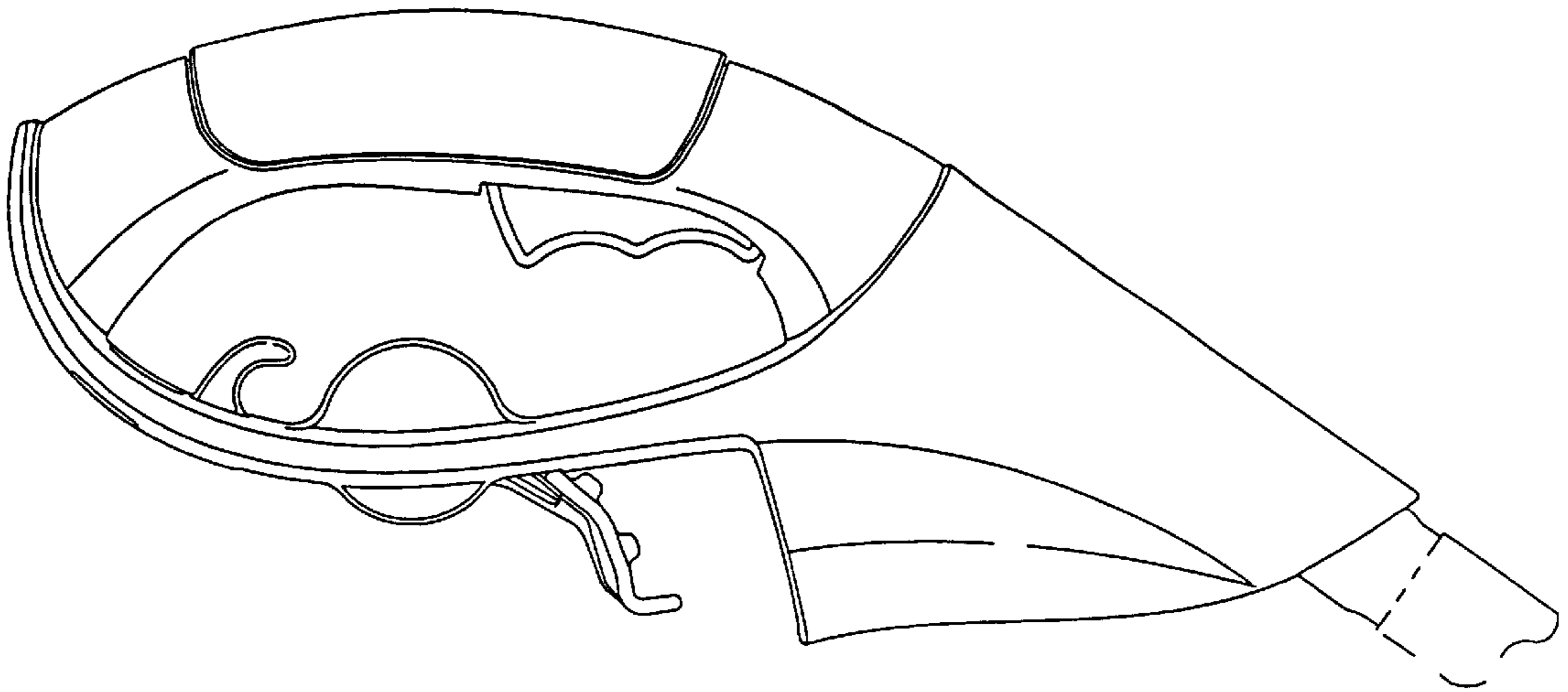


FIG. 2.

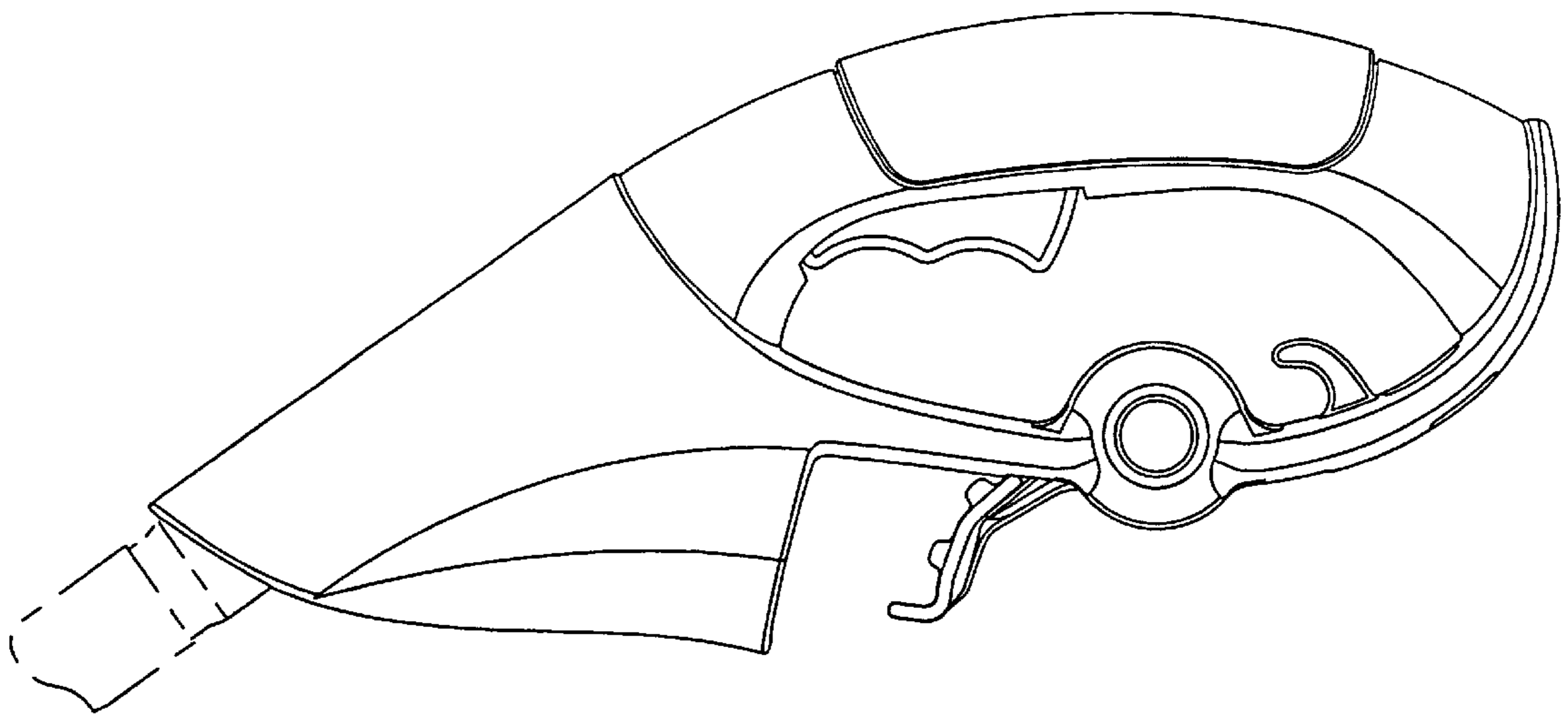


FIG. 3.

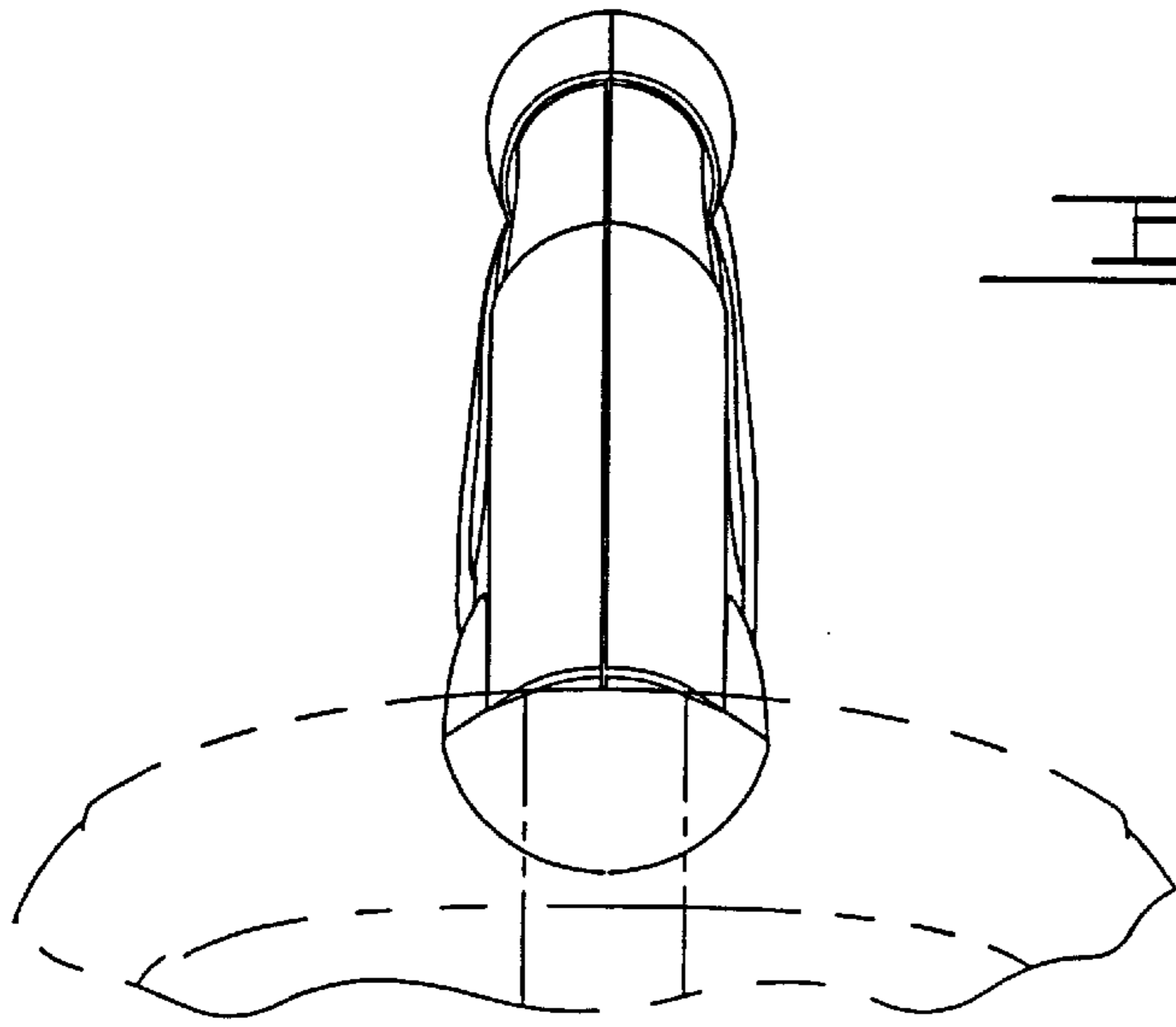


FIG. 4.

FIG. 5.

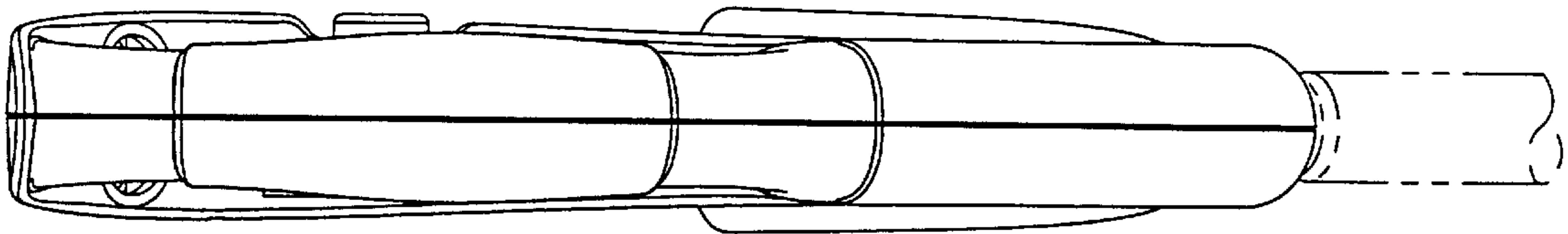
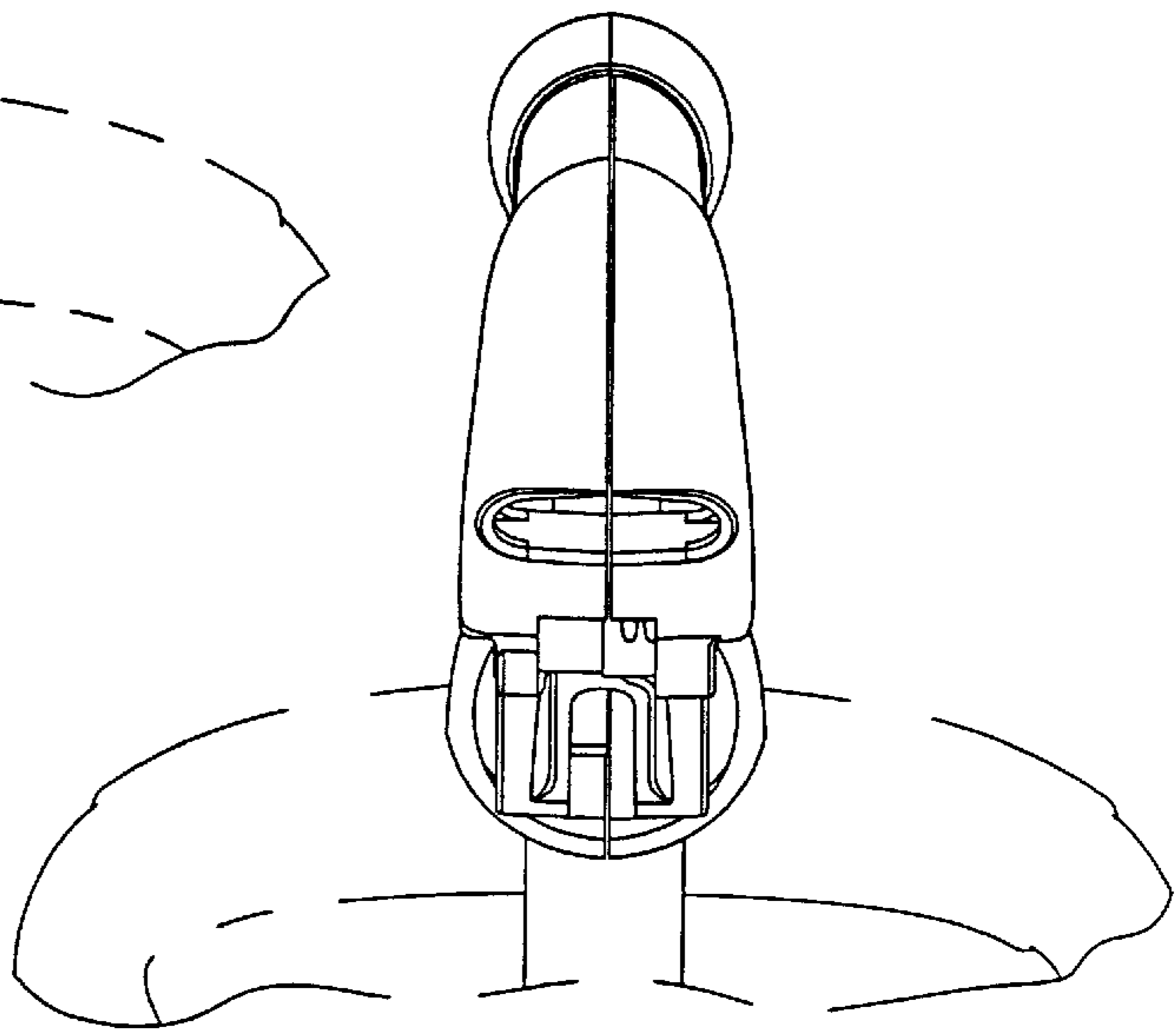


FIG. 6.

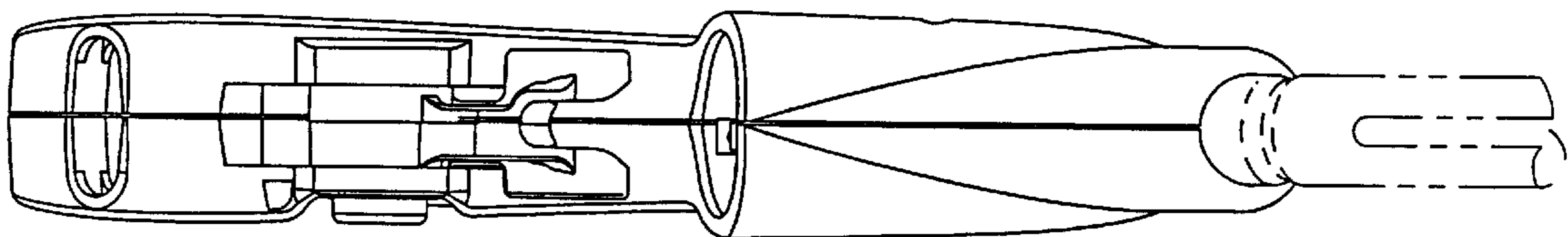


FIG. 7.