



US00D479675S

(12) **United States Design Patent**
Yip

(10) **Patent No.:** **US D479,675 S**

(45) **Date of Patent:** **** Sep. 16, 2003**

(54) **FOOD PROCESSOR**

(76) Inventor: **Chung Lun Yip**, Flat A, 16th Floor,
Block 1, King's Park Villa (HK)

(**) Term: **14 Years**

(21) Appl. No.: **29/156,730**

(22) Filed: **Mar. 6, 2002**

(30) **Foreign Application Priority Data**

Sep. 6, 2001 (CN) 01 3 46569

(51) **LOC (7) Cl.** **07-04**

(52) **U.S. Cl.** **D7/693; D7/384**

(58) **Field of Search** D7/693, 376-386,
D7/412; 83/556; 99/495, 509-513; 241/92,
93, 168, 169.1, 169.2, 169, 272, 282.1,
282.2, 282.3; 366/242, 247, 244, 279, 64,
96, 197, 241, 342, 347

(56) **References Cited**

U.S. PATENT DOCUMENTS

5,156,084 A * 10/1992 Lin 99/495

D395,194 S * 6/1998 Wong D7/384
D426,744 S * 6/2000 Wong D7/384
D433,594 S * 11/2000 Wong D7/384

* cited by examiner

Primary Examiner—Terry A. Wallace

(74) *Attorney, Agent, or Firm*—Ladas & Parry

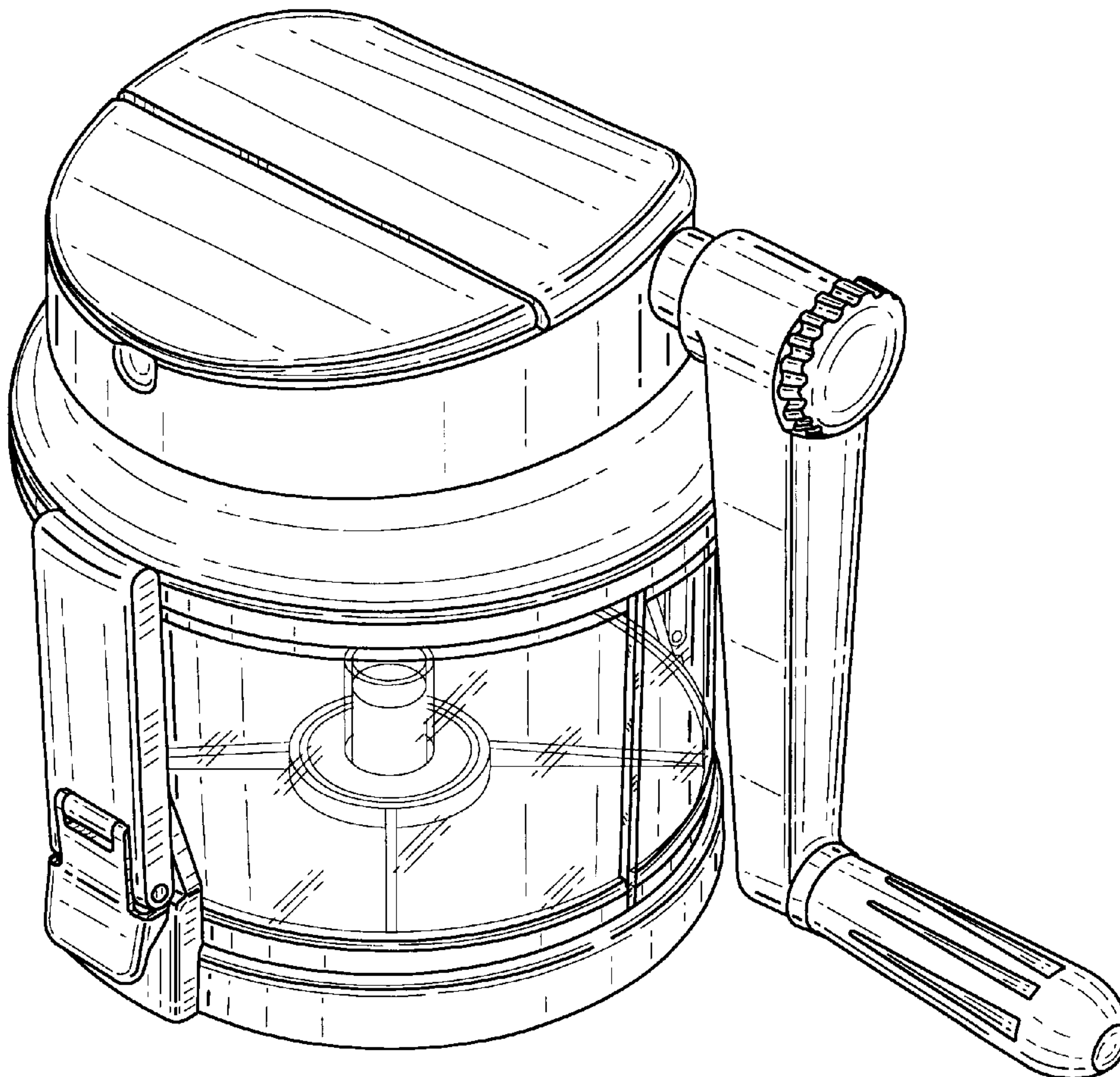
(57) **CLAIM**

I claim the ornamental design for a food processor, as shown and described.

DESCRIPTION

FIG. 1 is a top, right, front perspective view of a food processor showing my new design;
FIG. 2 is a front elevation view thereof;
FIG. 3 is a rear elevation view thereof;
FIG. 4 is a left-side elevation view thereof;
FIG. 5 is a right-side elevation view thereof;
FIG. 6 is a top plan view thereof;
FIG. 7 is a bottom plan view thereof; and,
FIG. 8 is an exploded top, right, front perspective view thereof.

1 Claim, 6 Drawing Sheets



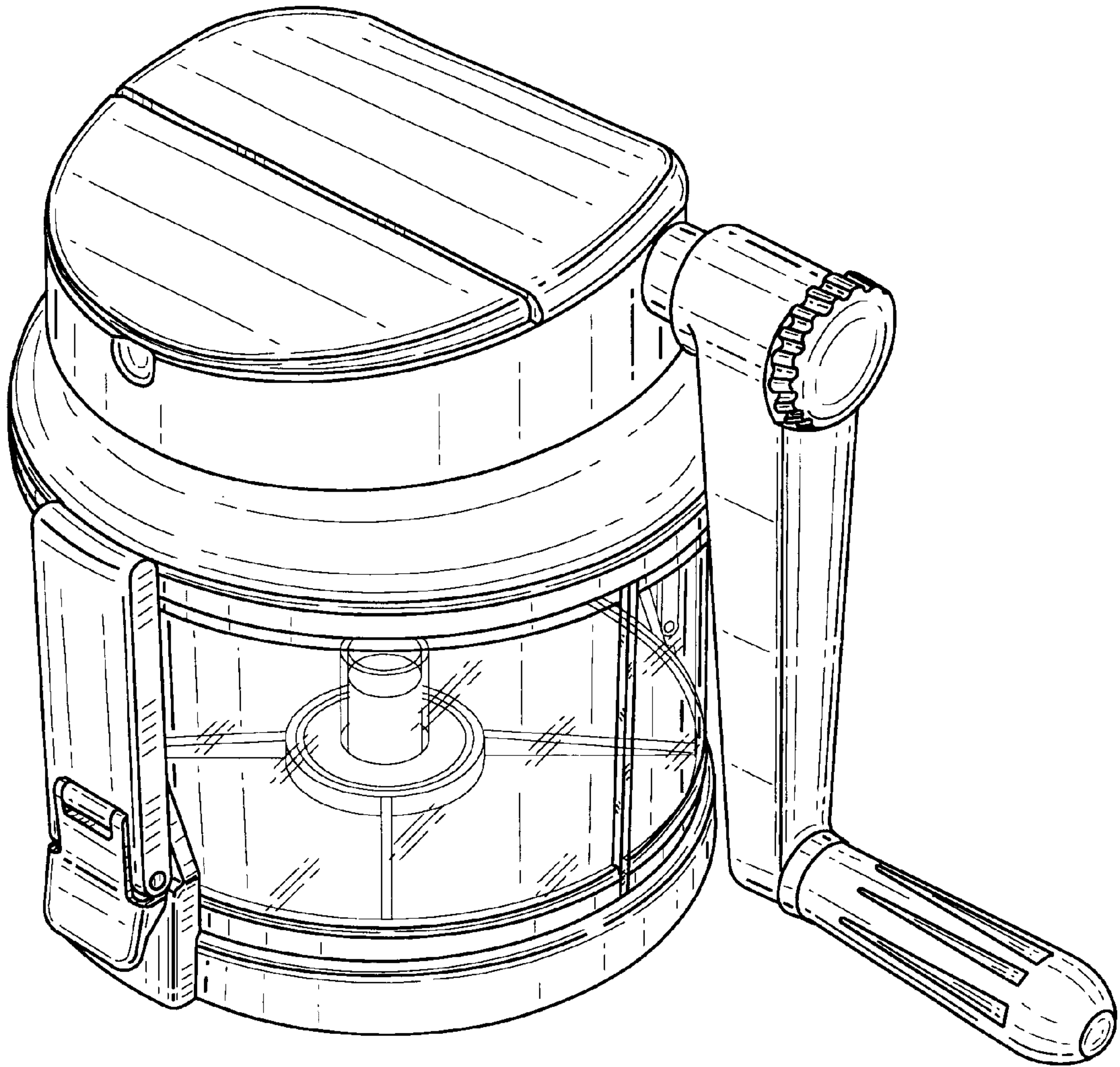


FIG. 1

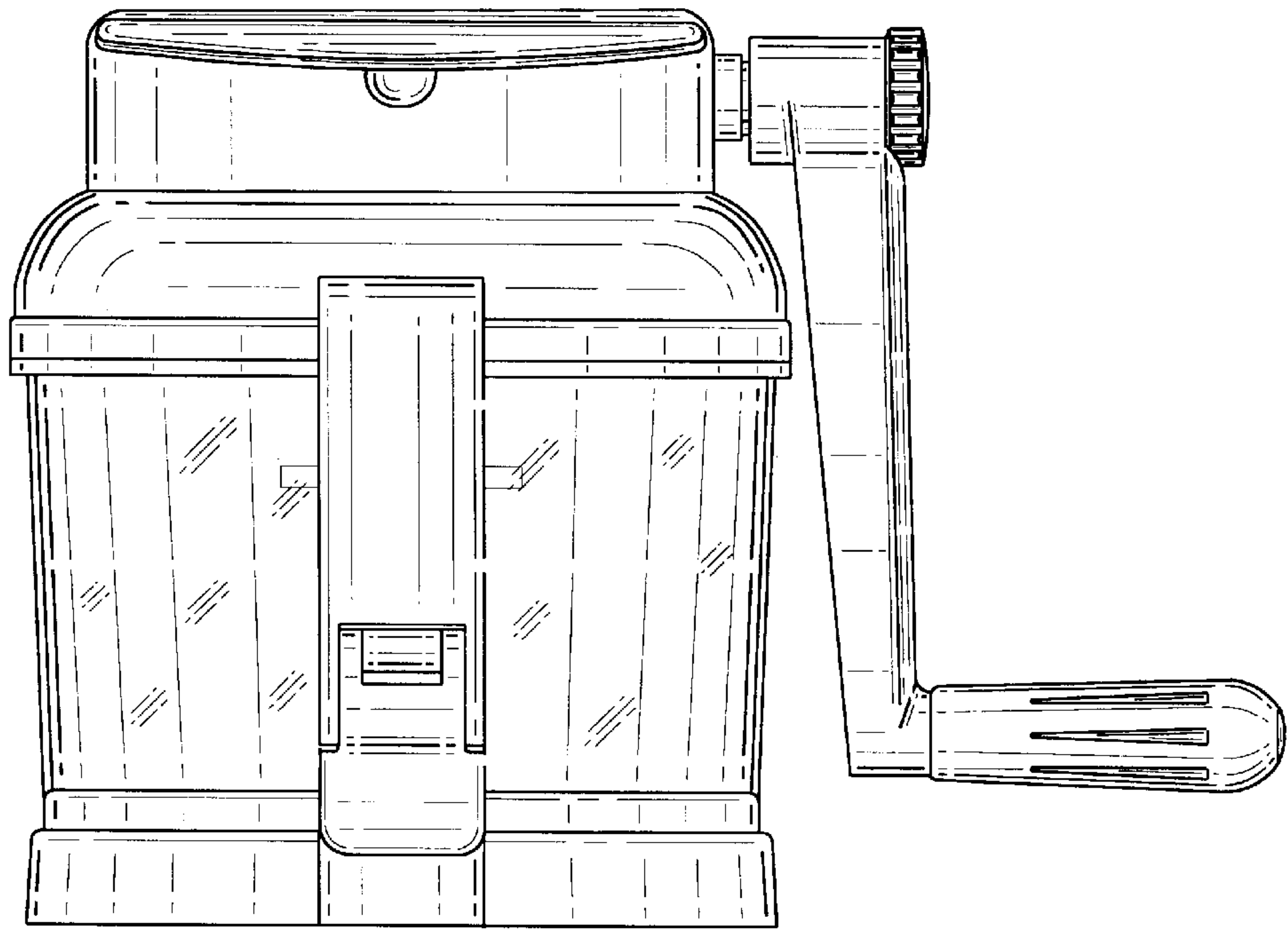


FIG. 2

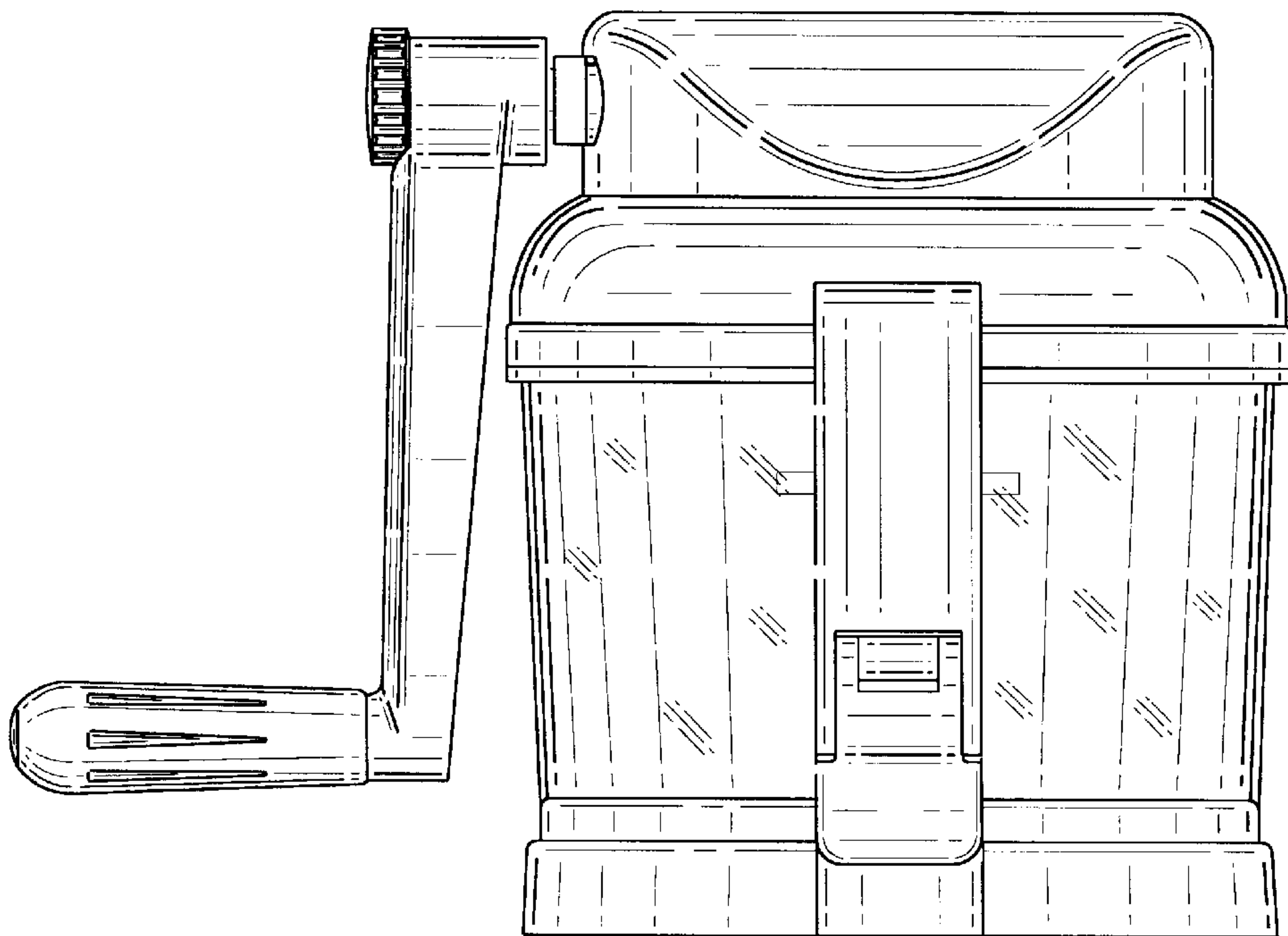


FIG. 3

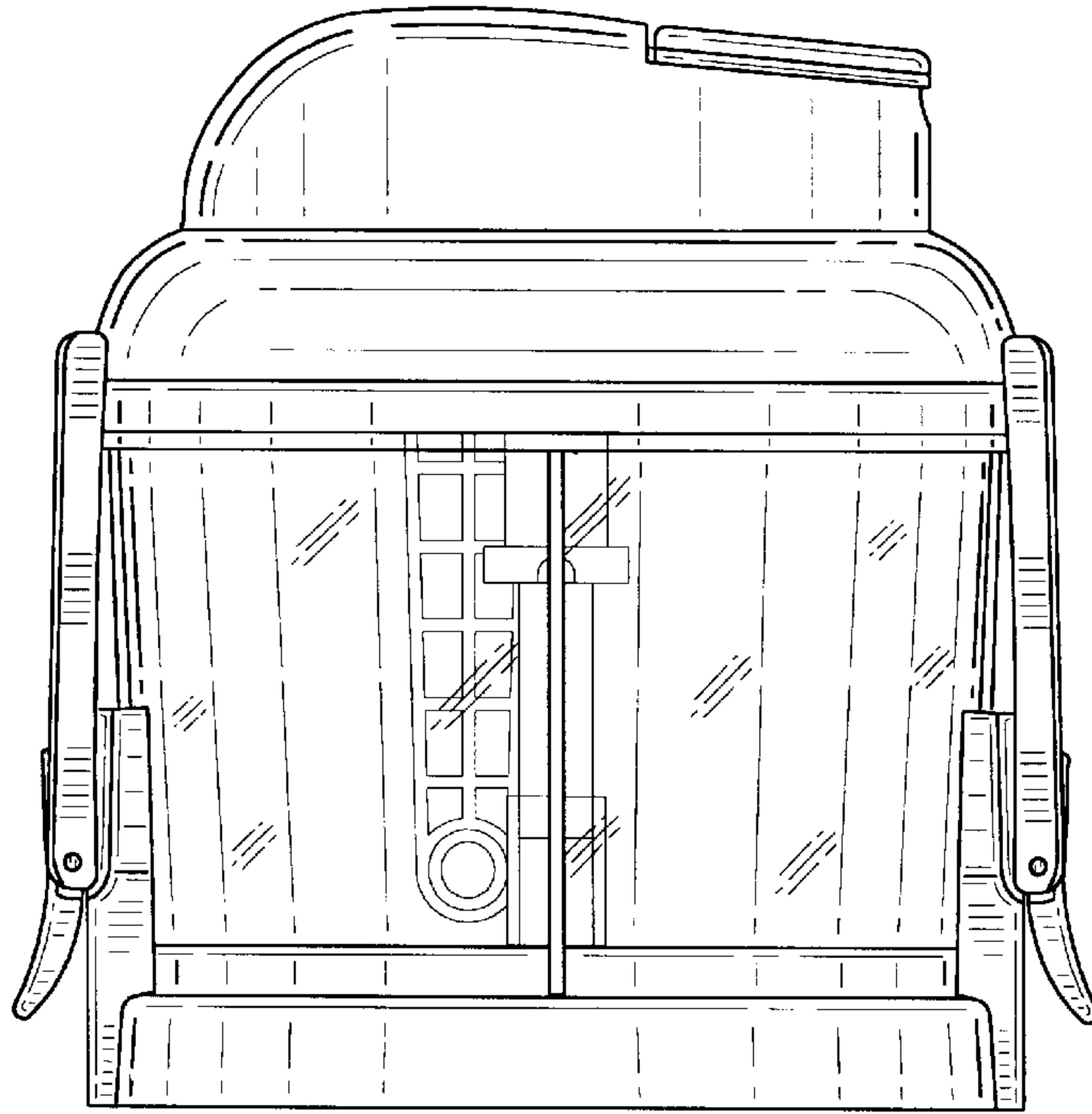


FIG. 4

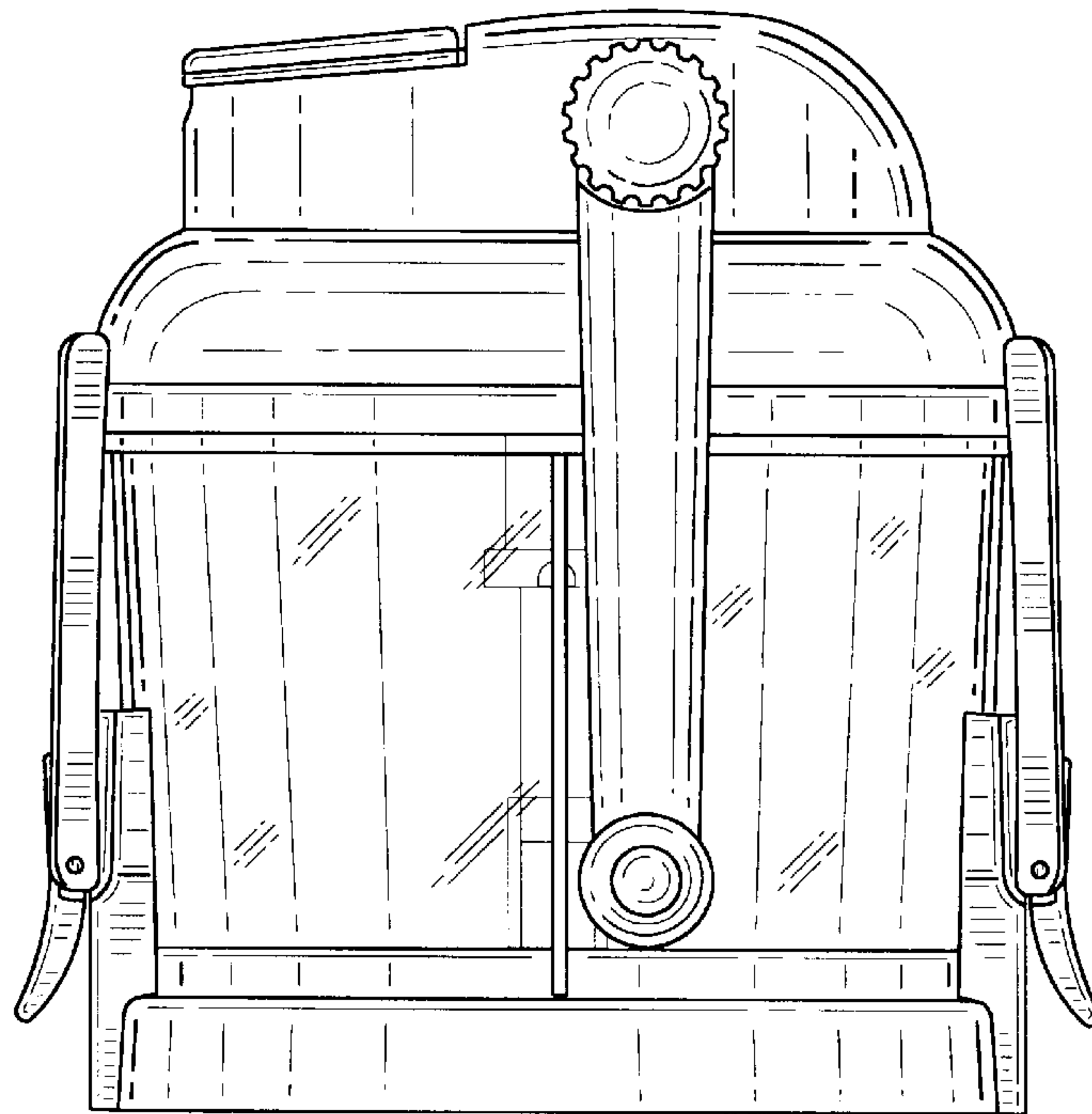


FIG. 5

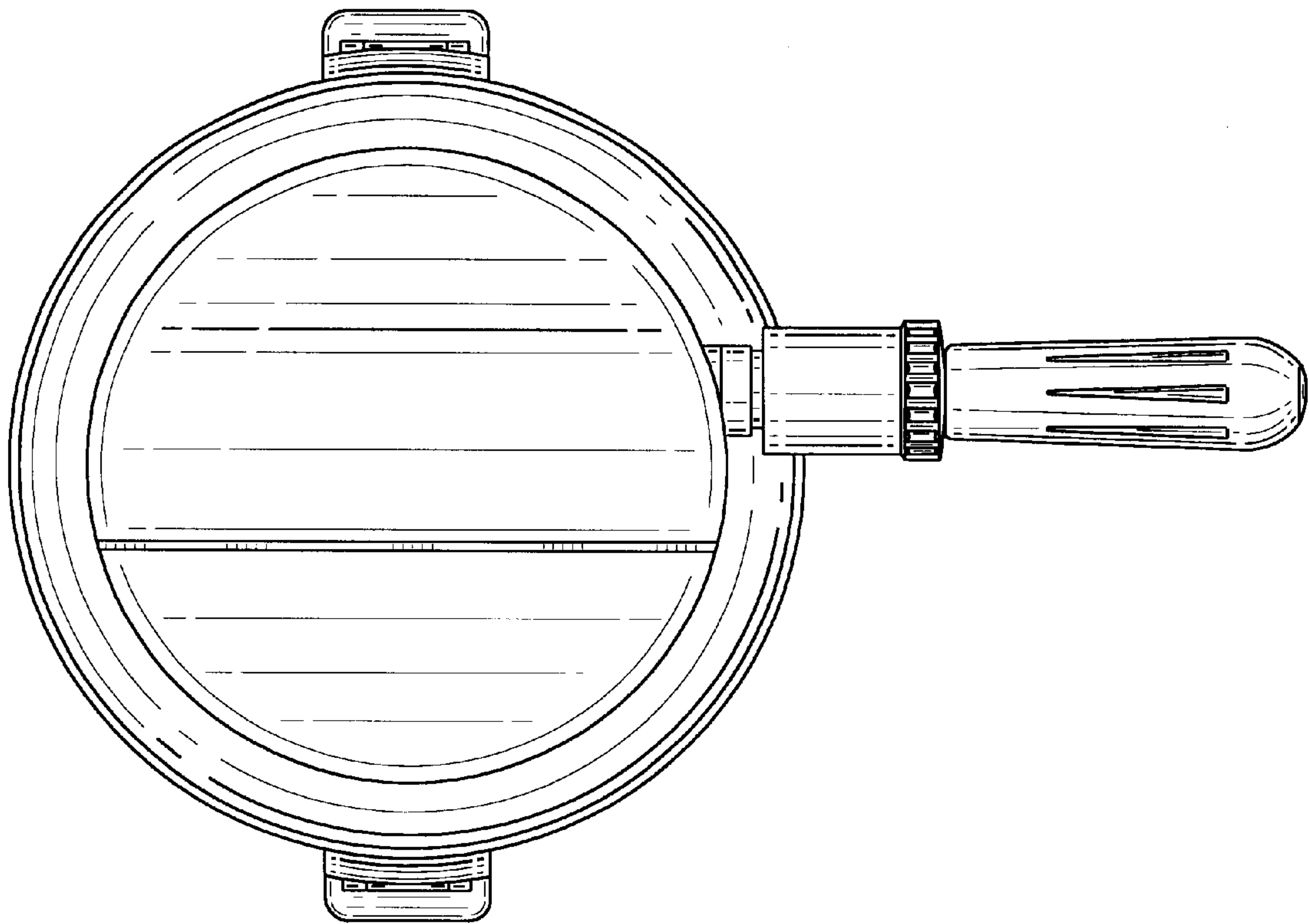


FIG. 6

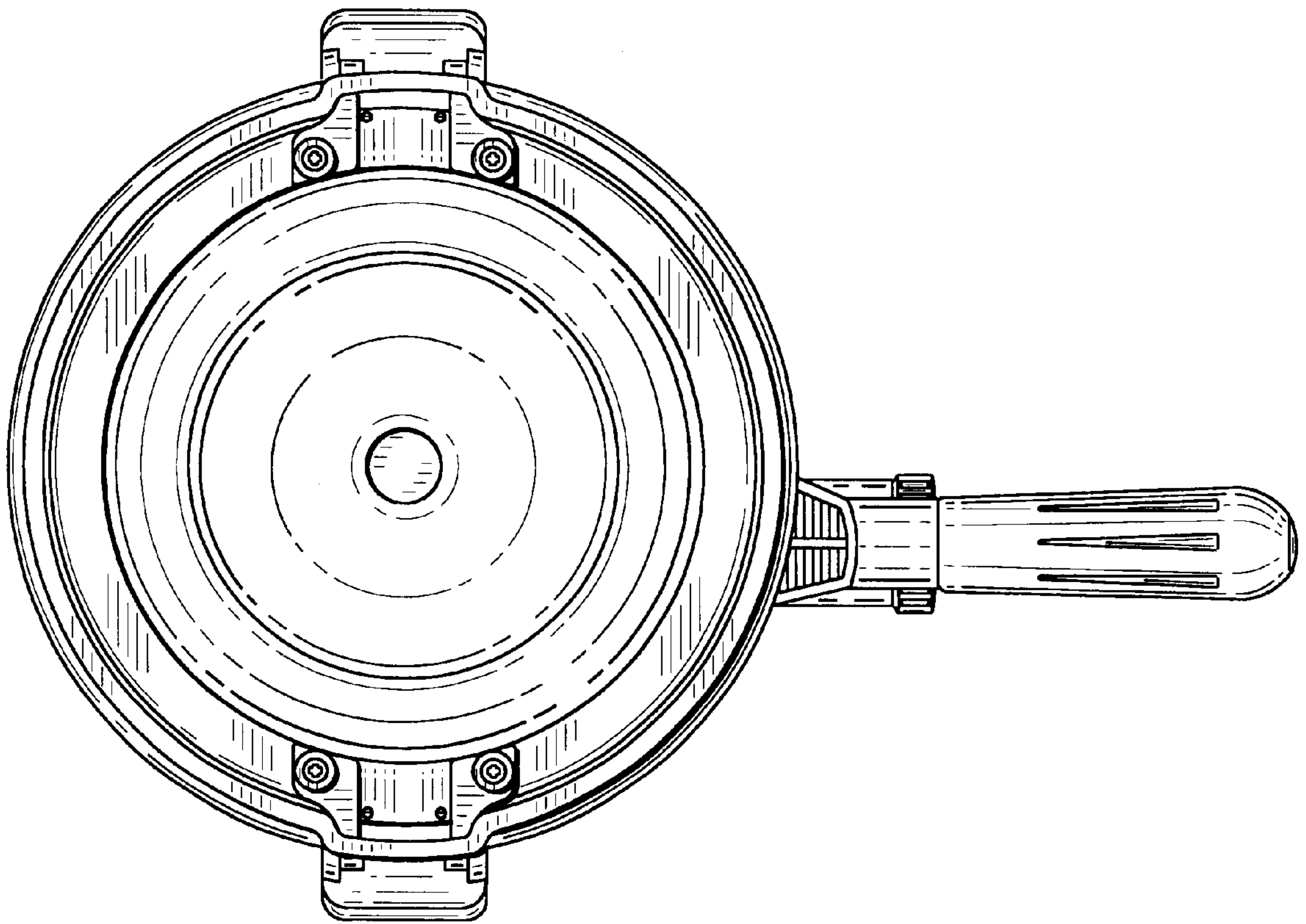


FIG. 7

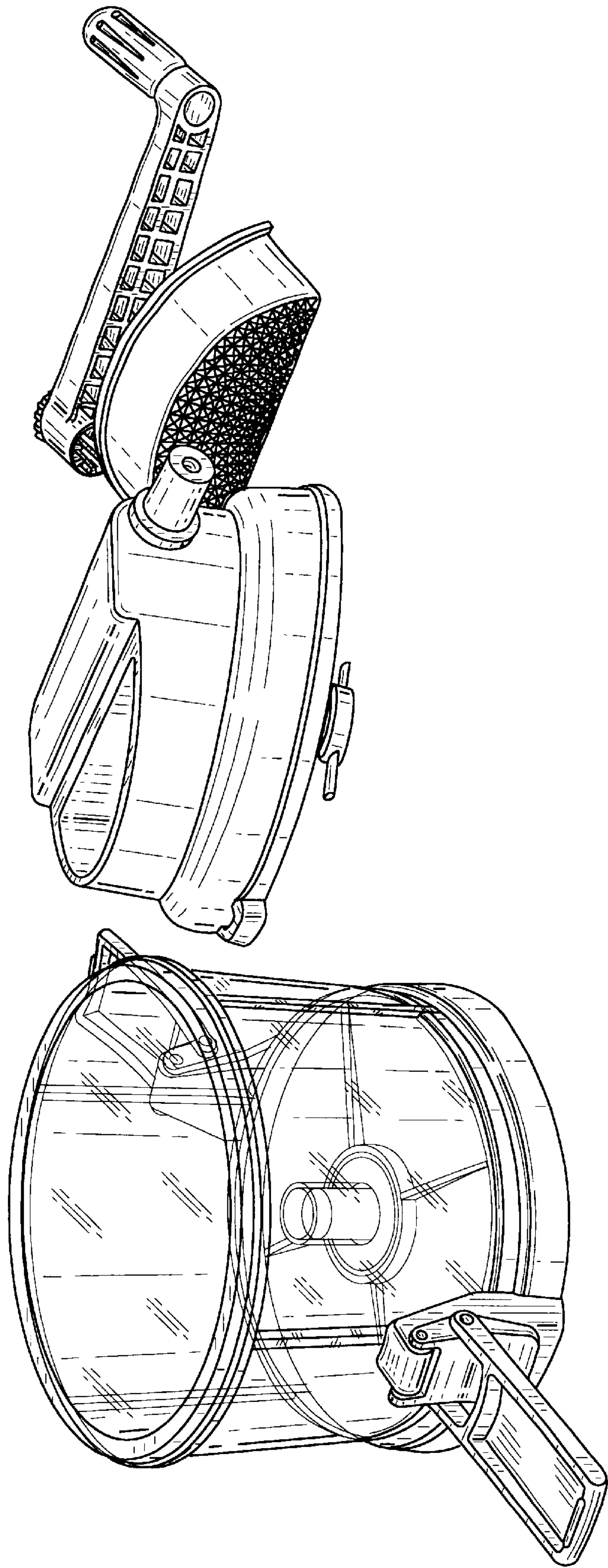


FIG. 8