



US00D479670S

(12) **United States Design Patent**
Webb

(10) **Patent No.:** **US D479,670 S**

(45) **Date of Patent:** **** Sep. 16, 2003**

(54) **MUG WITH ANNULAR RINGS**

(75) Inventor: **Alan Webb**, Prior Lake, MN (US)

(73) Assignee: **Webb Business Promotions, Incorporated**, Rosemount, MN (US)

(**) Term: **14 Years**

(21) Appl. No.: **29/173,374**

(22) Filed: **Dec. 27, 2002**

(51) **LOC (7) Cl.** **07-01**

(52) **U.S. Cl.** **D7/532; D7/523; D7/531**

(58) **Field of Search** **D7/509, 510, 511, D7/523, 533, 507, 392, 536, 392.1, 531, 532; 220/703, 713, 714, 717; D9/449; 222/129; 215/388, 902**

(56) **References Cited**

U.S. PATENT DOCUMENTS

D114,568 S	*	5/1939	Viatour	D7/523
D231,068 S		4/1974	Douglas		
D340,385 S		10/1993	Durand		
5,249,703 A		10/1993	Karp		
D362,369 S	*	9/1995	Bridges	D7/536
D384,860 S		10/1997	Trombly		
D396,777 S		8/1998	Inoue		
D398,815 S		9/1998	Hatsumoto et al.		
D406,011 S		2/1999	Hatsumoto et al.		
D417,589 S		12/1999	Parker		
D418,013 S		12/1999	Fujii		
D420,254 S		2/2000	Park		
D422,842 S		4/2000	Freed		
D424,878 S		5/2000	Freed		
D426,109 S	*	6/2000	Freed	D7/533
D429,959 S	*	8/2000	Otake	D7/510
D431,159 S	*	9/2000	Otake	D7/510
D433,599 S	*	11/2000	Kristiansen et al.	D7/523
D437,185 S	*	2/2001	Freed	D7/510

(List continued on next page.)

OTHER PUBLICATIONS

“NASCAR Driver Stainless Steel Coffee Mugs (set of 2),” <http://sportsclothes.com/noname.html>, 1 page, (Date Printed Dec. 26, 2002).

“Promotional Travel Coffee Mugs, Steel Traveler Mugs, Ceramic Travel Mugs,” <http://products-items.com/catalog/html/travel.html>, 2 pages (Date Printed Dec. 26, 2002).

“Stainless Steel Travel Mugs, Stainless Steel Coffee Mugs,” <http://www.back9group.com/hit5822-01.html>, 1 page (Date Printed Dec. 26, 2002).

“Travel & Ceramic Coffee Mugs from Targeted Promotions®,” <http://www.targetedpromo.com/specialsmug.htm>, 1 page (Date Printed Dec. 26, 2002).

“Webb Collection,” pp. 33–34 (1998).

“Webb Collection,” pp. 31–38 (1999).

“Webb Collection,” pp. 30–45 (2000).

“Webb Collection,” pp. 40–71 (2001).

Primary Examiner—M. N. Pandozzi

(74) *Attorney, Agent, or Firm*—Merchant & Gould P.C.

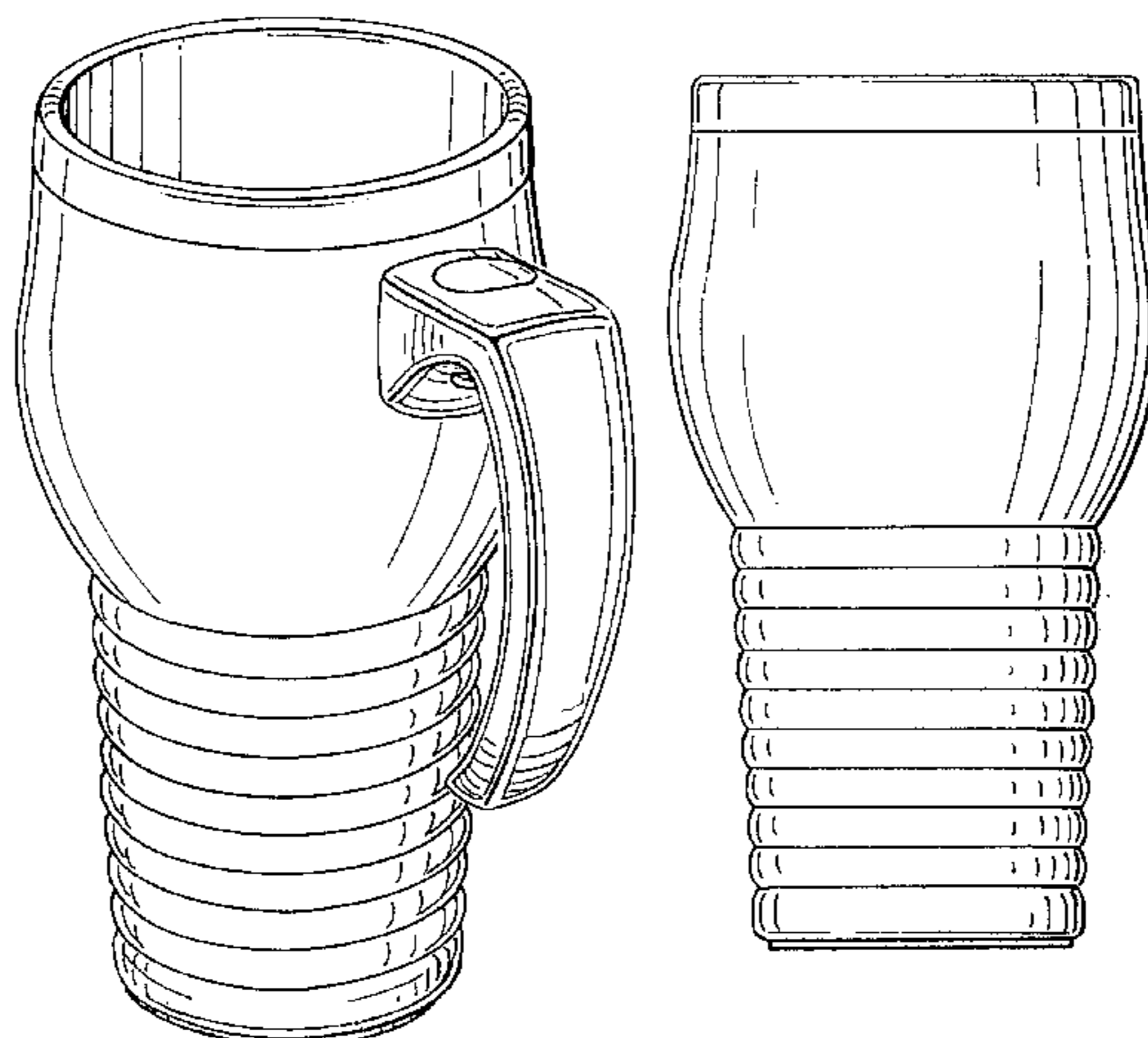
(57) **CLAIM**

The ornamental design for a mug with annular rings, as shown and described.

DESCRIPTION

FIG. 1 is a right, top, front perspective view of a mug with annular rings made in accordance with my new design; FIG. 2 is a front view of the embodiment of FIG. 1, the back view being the mirror image of the front view; FIG. 3 is a left side view of the embodiment of FIG. 1; FIG. 4 is a right side view of the embodiment of FIG. 1; FIG. 5 is a top view of the embodiment of FIG. 1; FIG. 6 is a bottom view of the embodiment of FIG. 1; FIG. 7 is a top perspective view of a mug with annular rings showing a second embodiment of my new design; FIG. 8 is a front elevational view of the embodiment shown in FIG. 7 with the left and right sides and the rear being identical to the front; FIG. 9 is a top view of the embodiment shown in FIG. 7; and, FIG. 10 is a bottom view of the embodiment shown in FIG. 7.

1 Claim, 10 Drawing Sheets



US D479,670 S

Page 2

U.S. PATENT DOCUMENTS			
D447,005 S	8/2001	Trombly	
D456,214 S *	4/2002	Wyche	D7/523
D458,082 S	6/2002	Gluck	
D460,324 S *	7/2002	Norris et al.	D7/533 * cited by examiner
D462,875 S *	9/2002	Norris et al.	D7/533
D467,124 S *	12/2002	Janky	D7/533
D468,588 S *	1/2003	Norris et al.	D7/532

Fig. 1

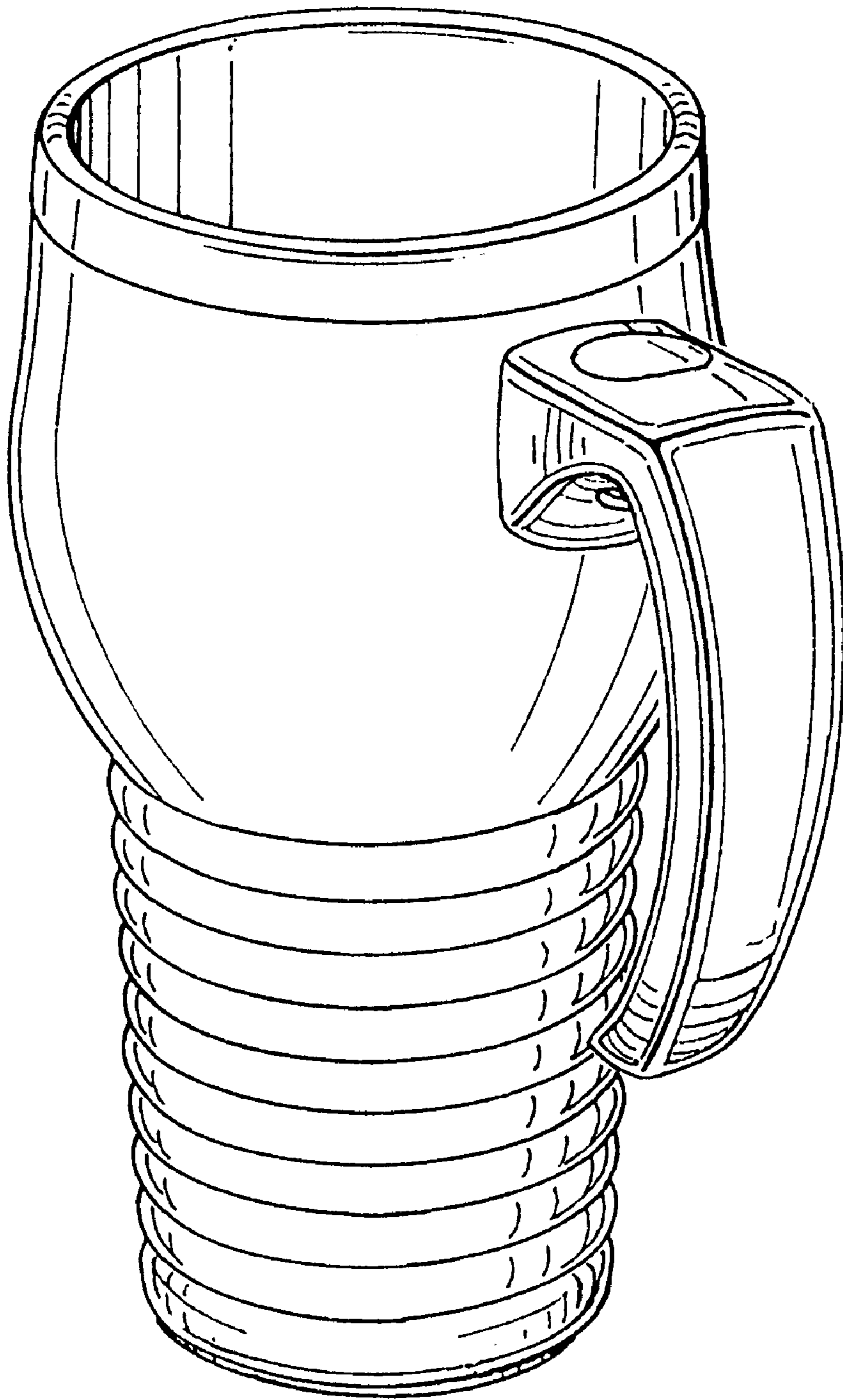


Fig. 2

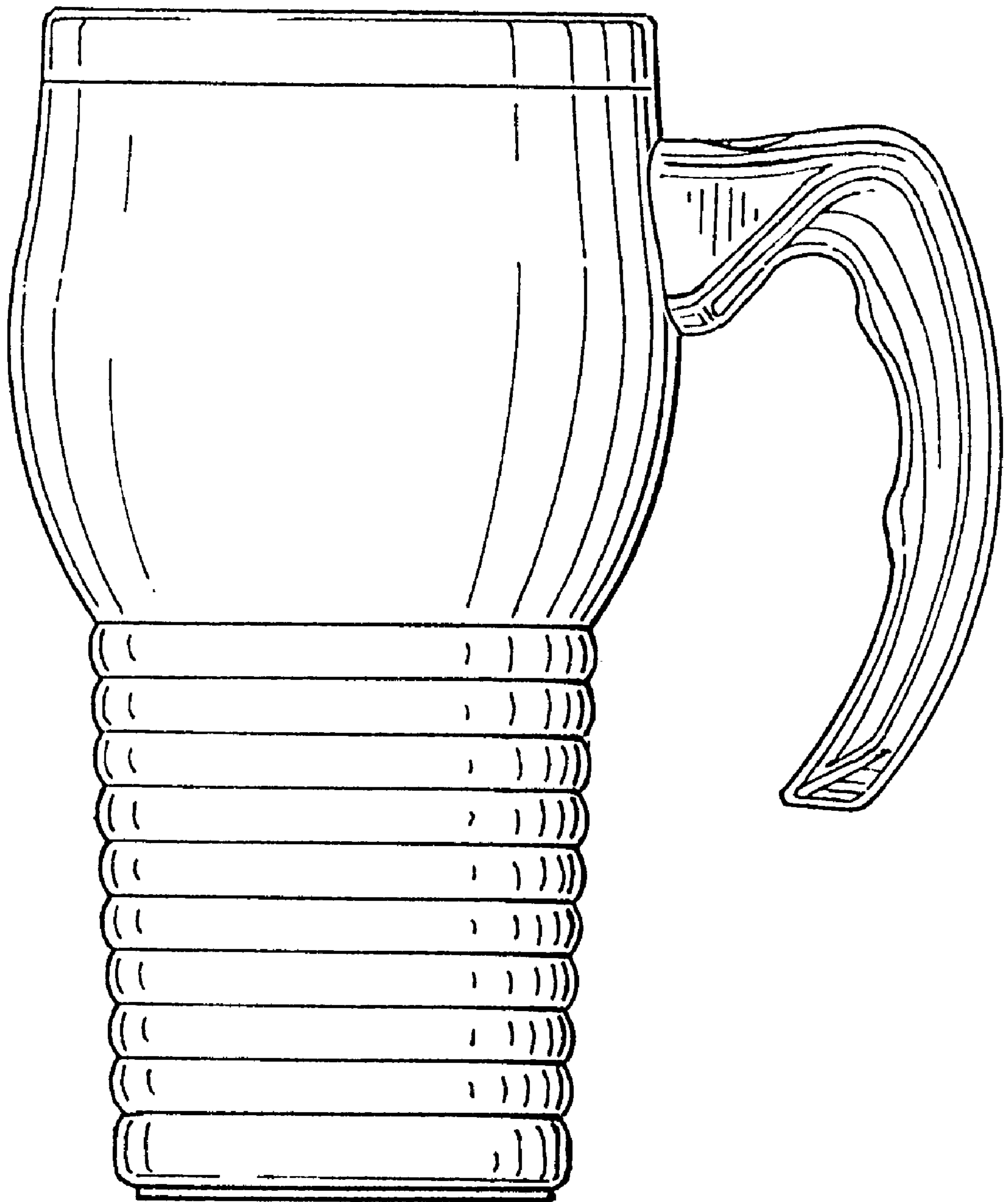


Fig. 3

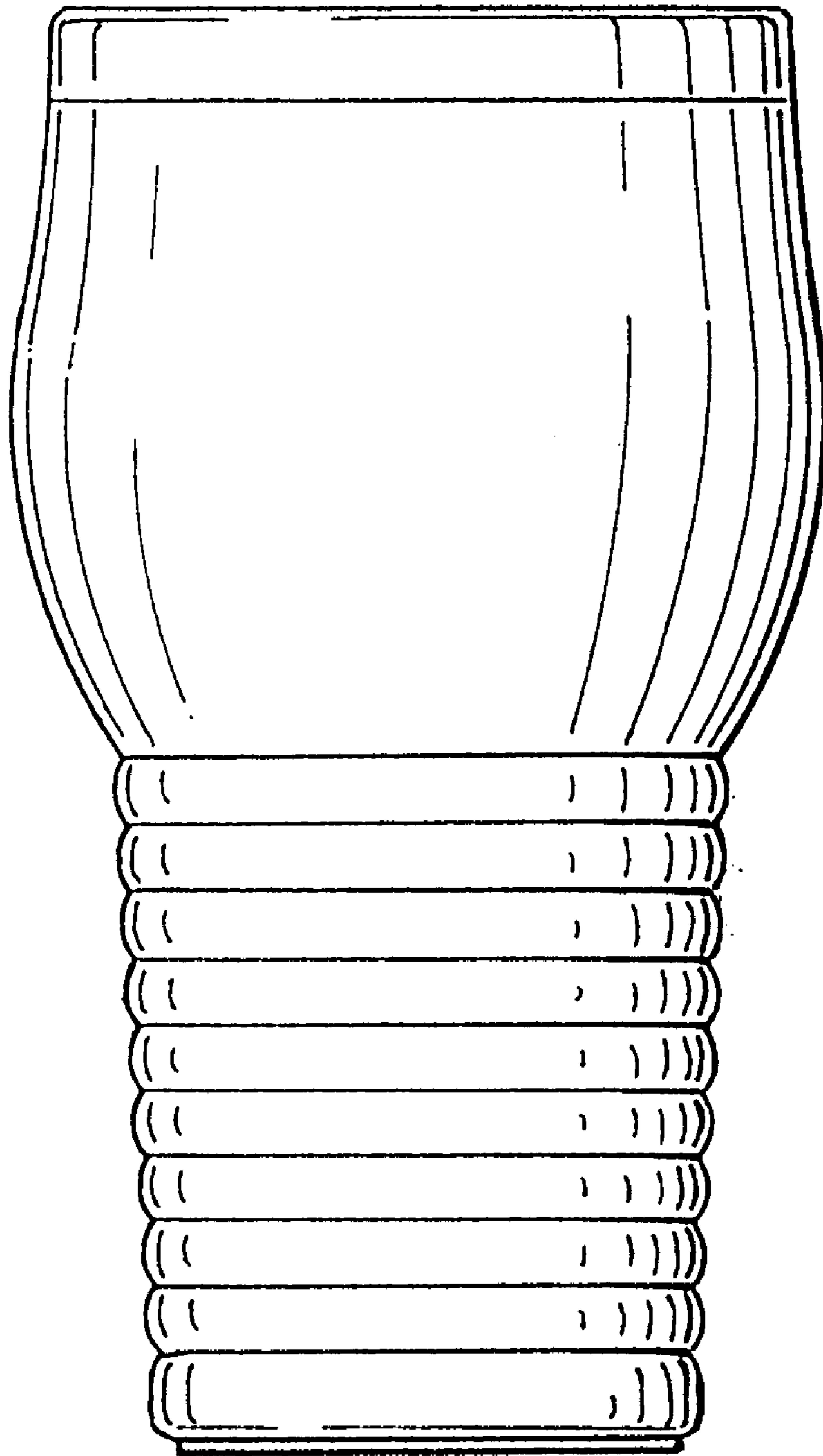


Fig. 4

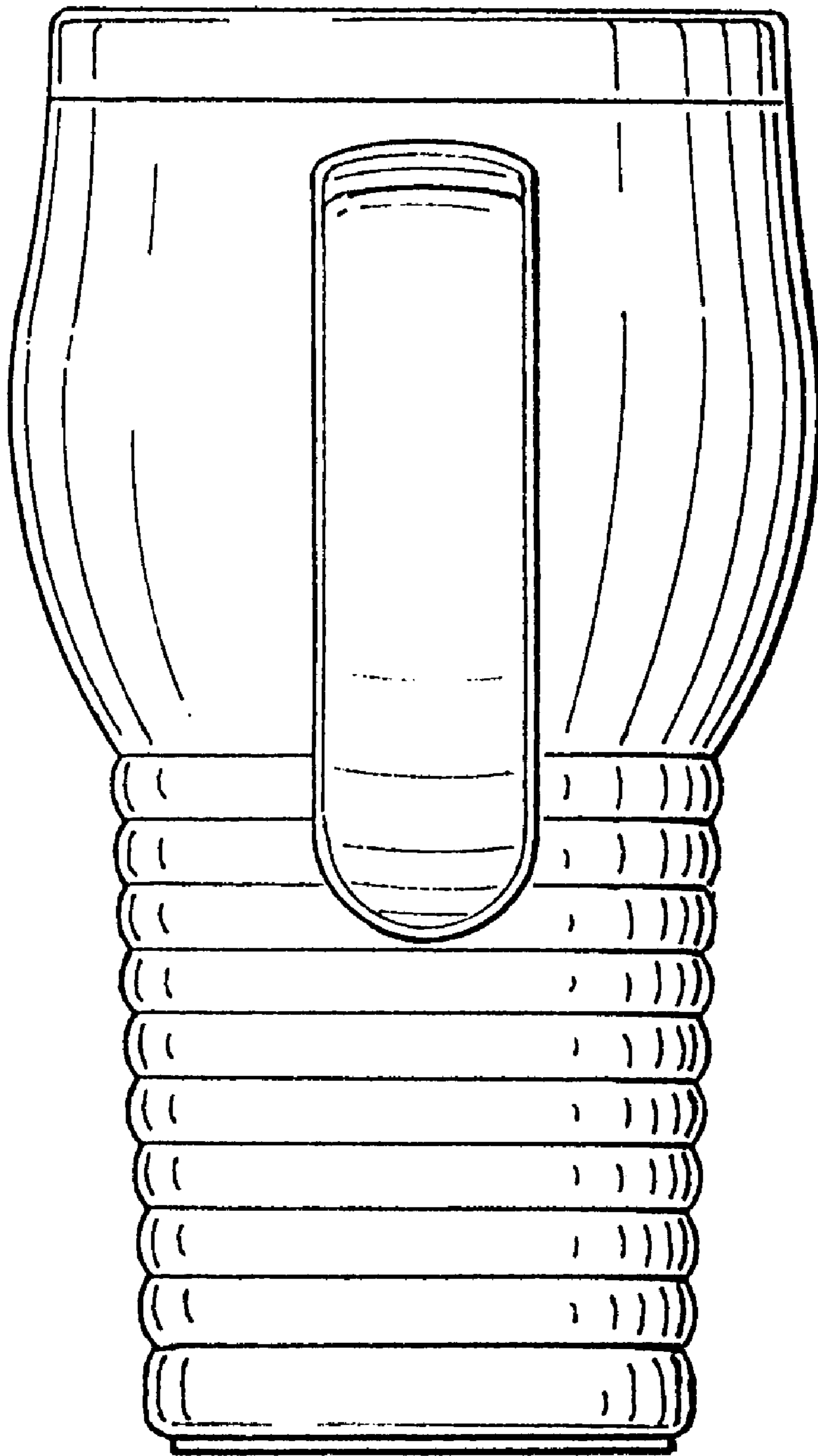


Fig. 5

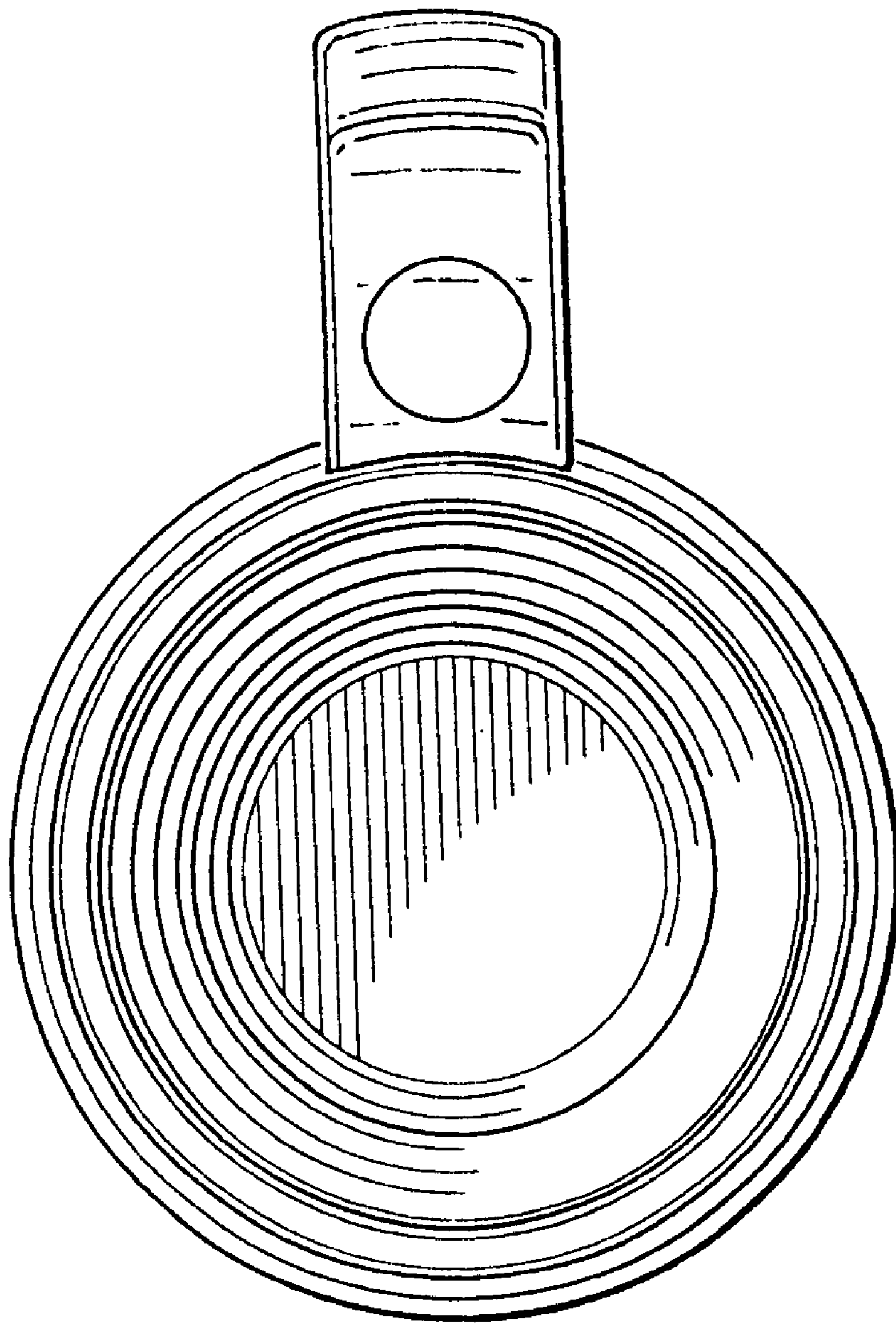


Fig. 6

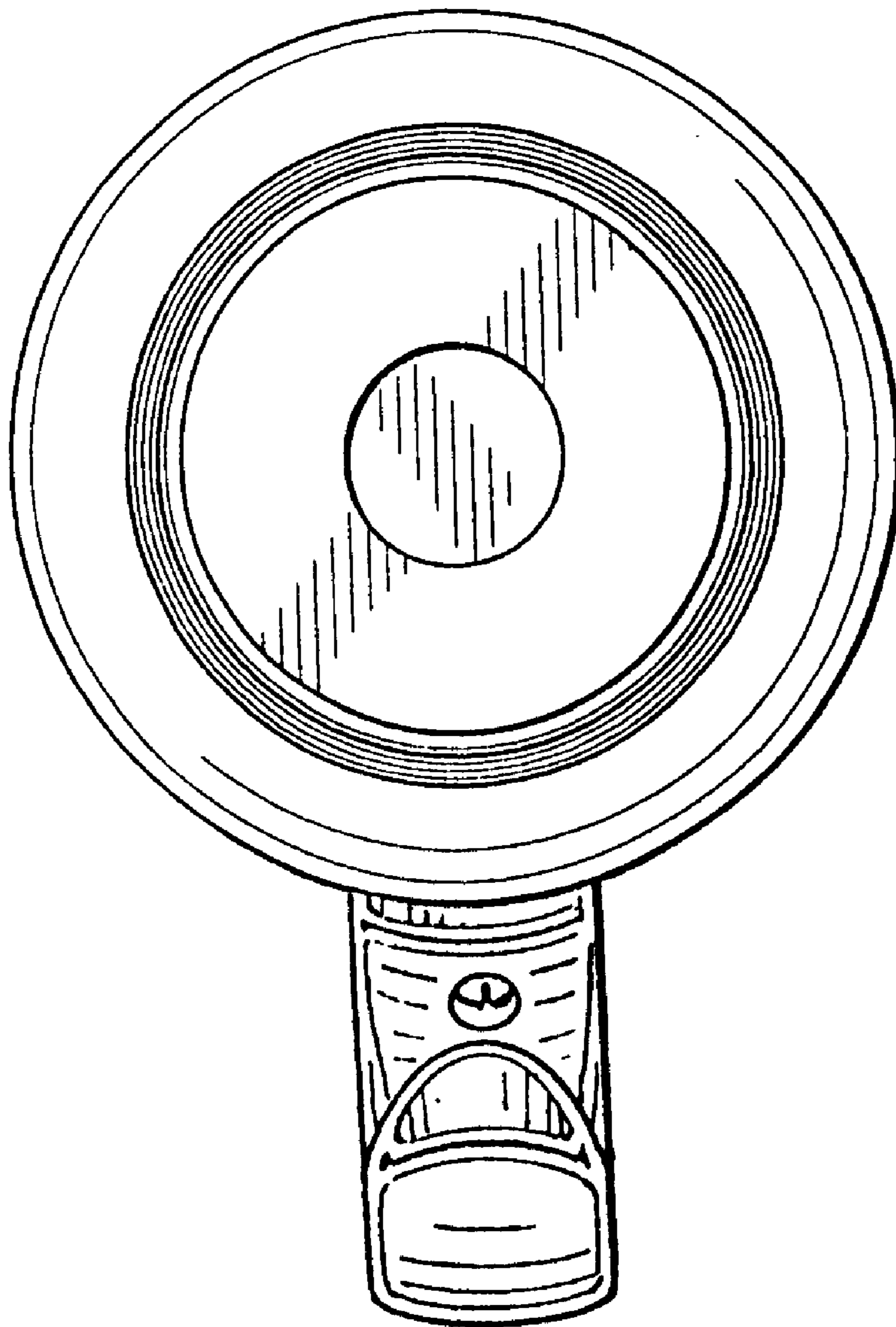


Fig. 7

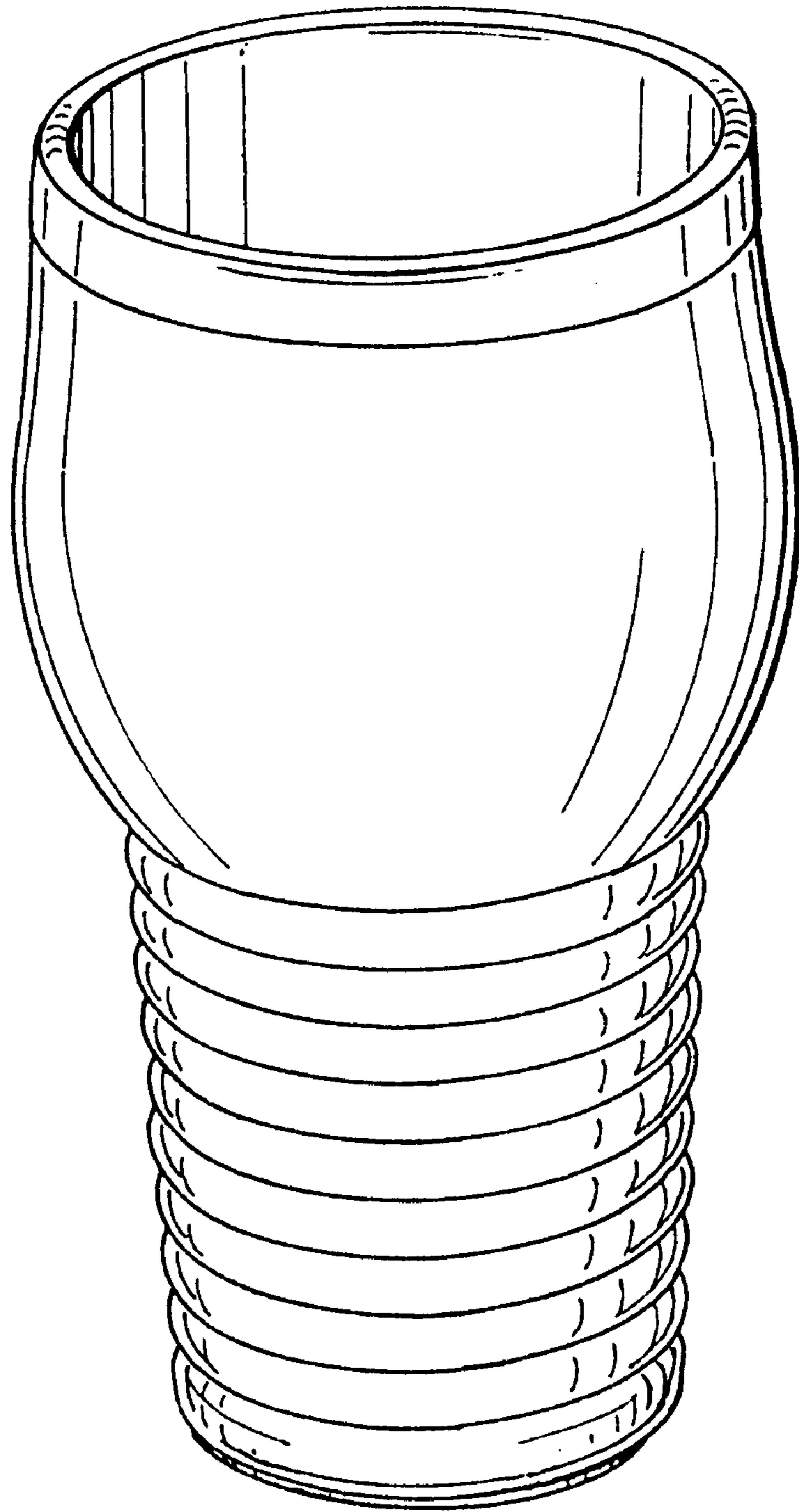


Fig. 8

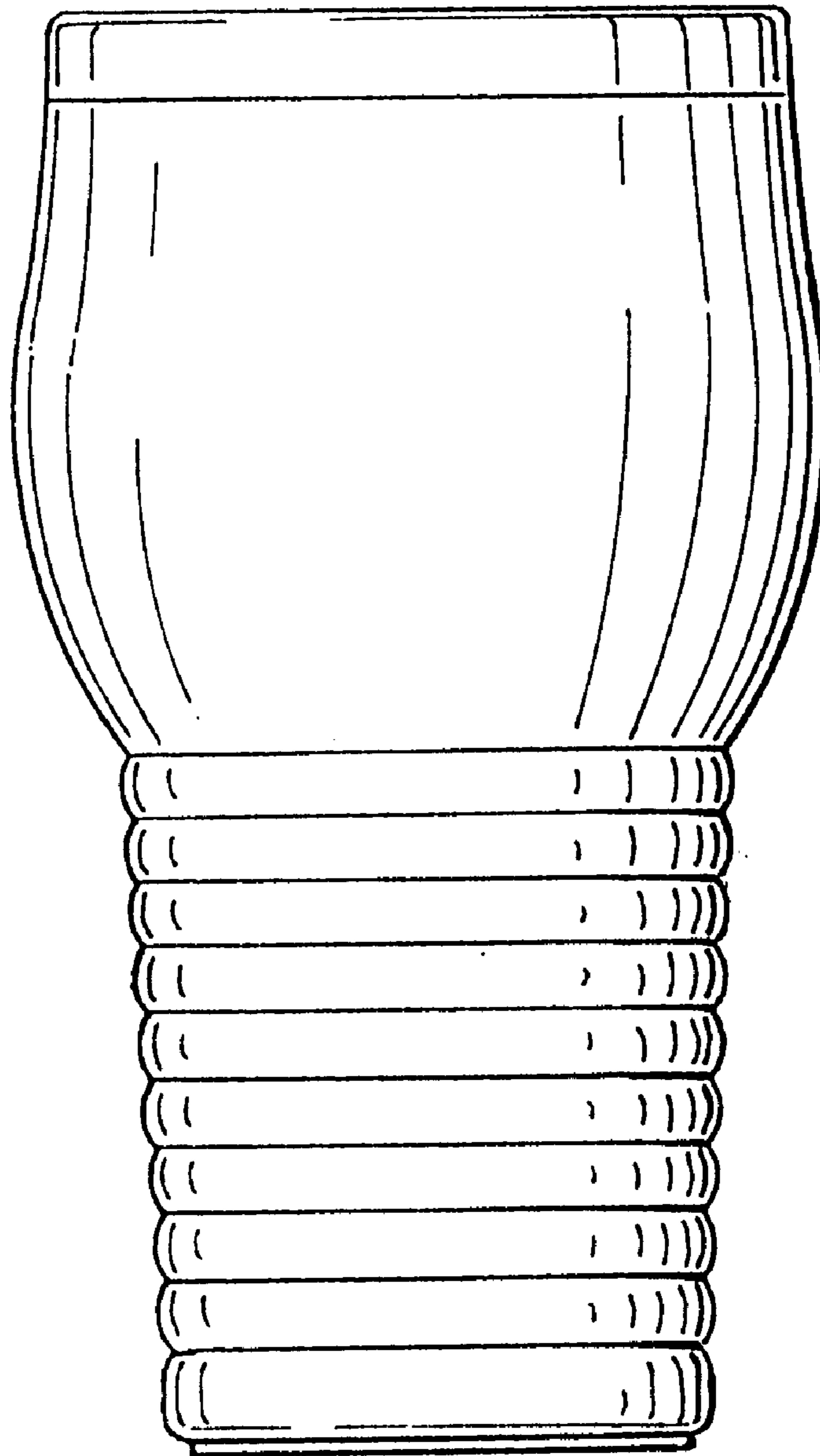


Fig. 9

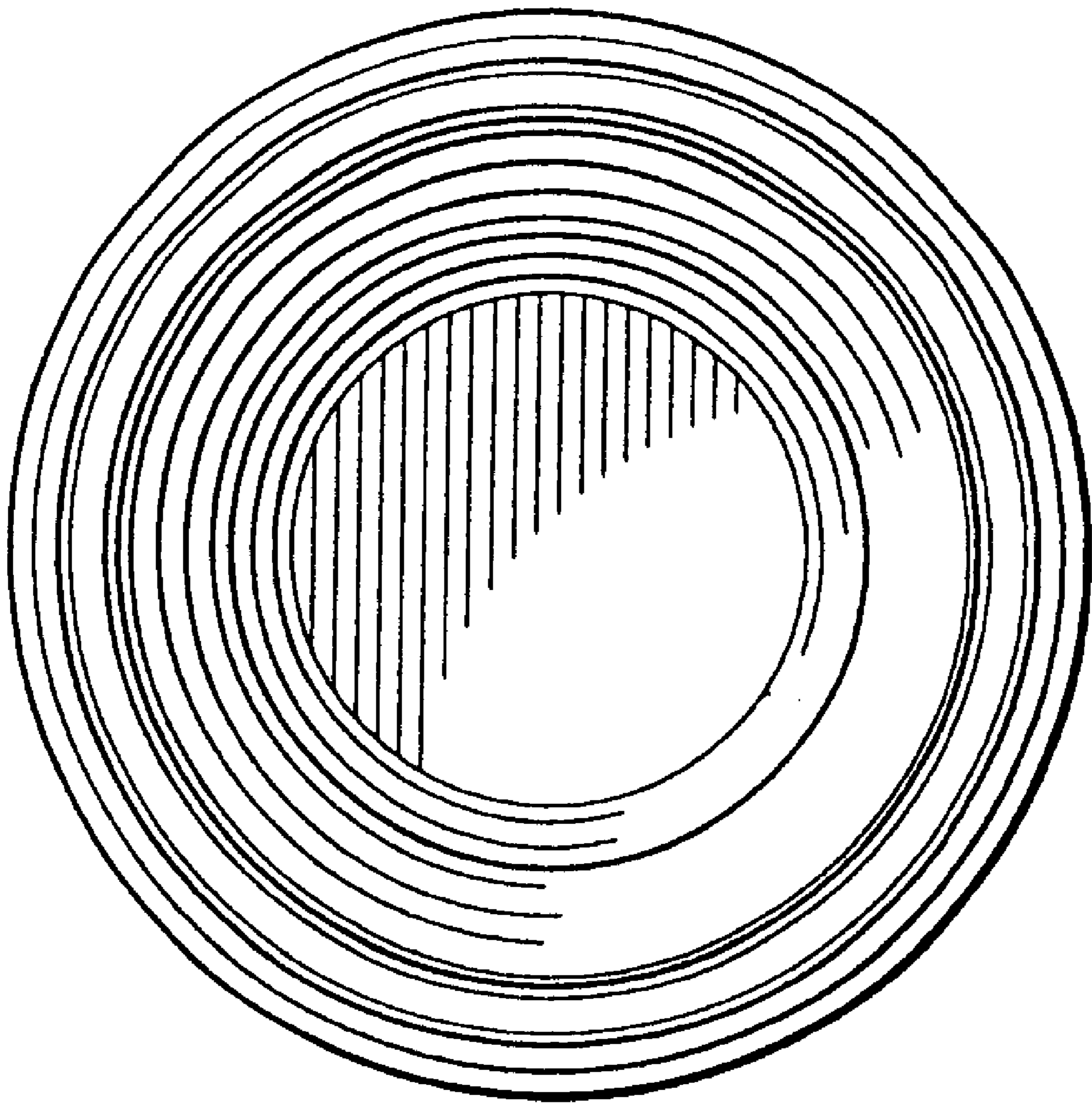


Fig. 10

