



US00D479668S

(12) **United States Design Patent**  
**McMullin**

(10) **Patent No.:** **US D479,668 S**

(45) **Date of Patent:** **\*\* Sep. 16, 2003**

(54) **CHAMPAGNE FLUTE**

(75) Inventor: **Kevin S. McMullin**, Dove Canyon, CA (US)

(73) Assignee: **Destiny Plastics, Inc.**, Dove Canyon, CA (US)

(\*\*) Term: **14 Years**

(21) Appl. No.: **29/160,395**

(22) Filed: **May 9, 2002**

(51) **LOC (7) Cl.** ..... **07-01**

(52) **U.S. Cl.** ..... **D7/525**

(58) **Field of Search** ..... D7/500, 509-537, D7/396.1-396.6; 229/400, 402; 206/217

(56) **References Cited**

**U.S. PATENT DOCUMENTS**

D11,238 S	*	6/1879	Conrad	.....	D7/514
D36,750 S	*	1/1904	Drause	.....	D7/514
D78,912 S	*	7/1929	Dunbar	.....	D7/525
D107,040 S	*	11/1937	Cunningham	.....	D7/525

D305,392 S \* 1/1990 Durand ..... D7/525

D334,321 S \* 3/1993 Falzorano ..... D7/527

D423,879 S \* 5/2000 Lin ..... D7/529

\* cited by examiner

*Primary Examiner*—Caron D. Veynar

(74) *Attorney, Agent, or Firm*—Francis C. Hand; Carella, Byrne et al.

(57) **CLAIM**

The ornamental design for a champagne flute, as shown and described.

**DESCRIPTION**

FIG. 1 illustrates a perspective view of a champagne flute employing the ornamental design in accordance with the invention;

FIG. 2 illustrates a side elevation view of the champagne flute of FIG. 1 (each side being the same as that shown);

FIG. 3 illustrates a top view of the champagne flute of FIG. 1; and,

FIG. 4 illustrates a bottom view of the champagne flute of FIG. 1.

**1 Claim, 2 Drawing Sheets**

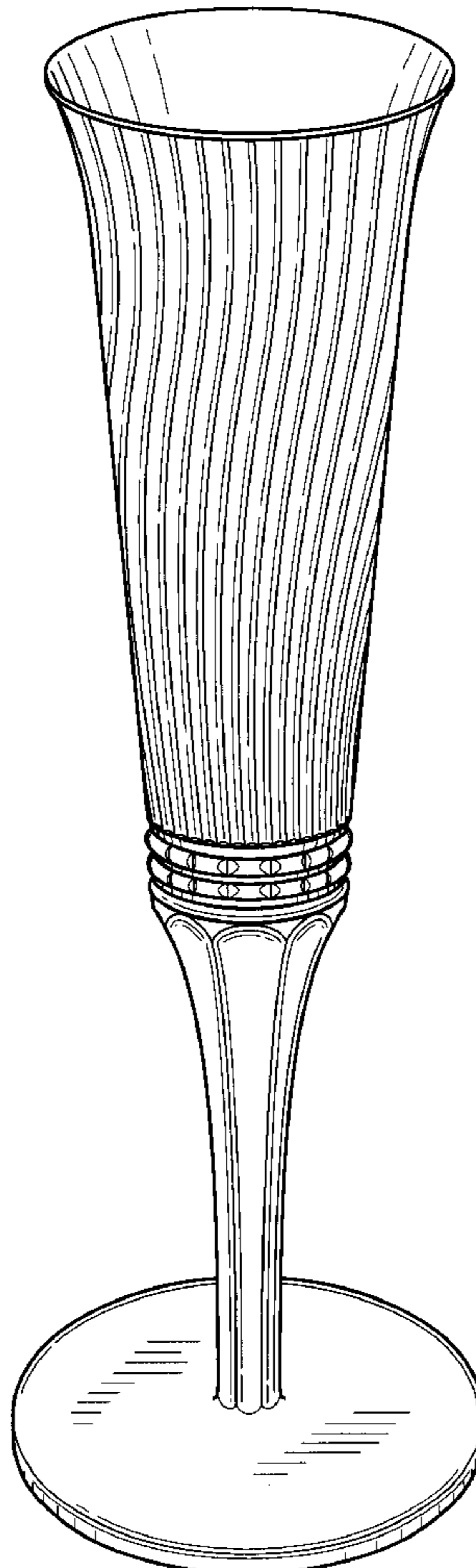


FIG. 1

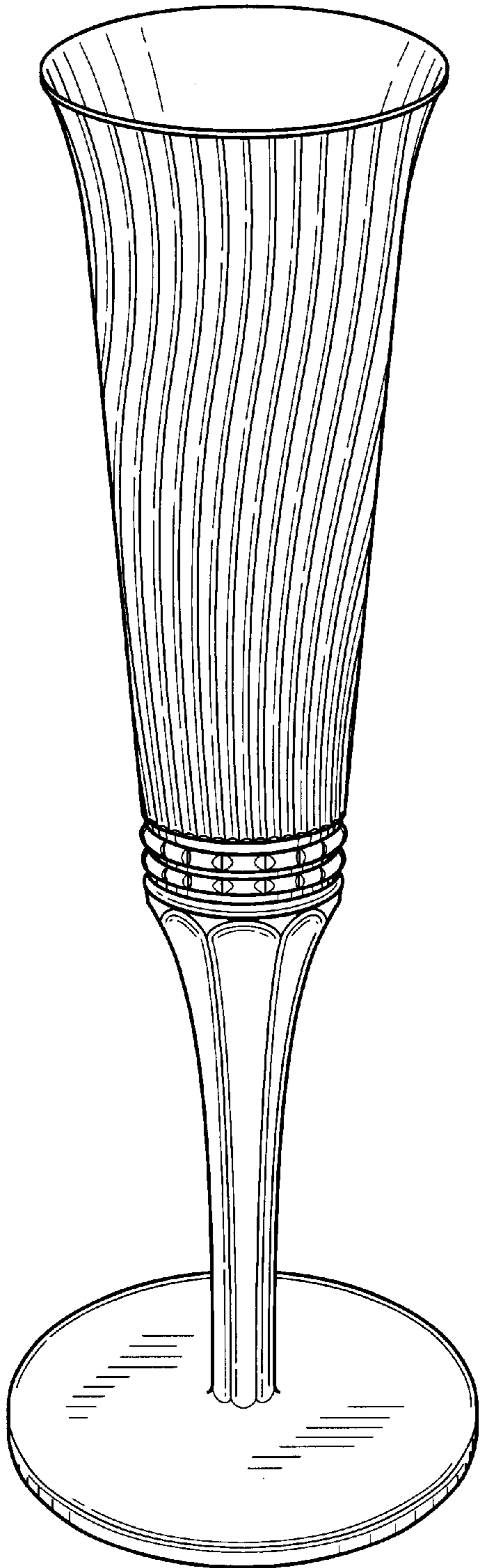
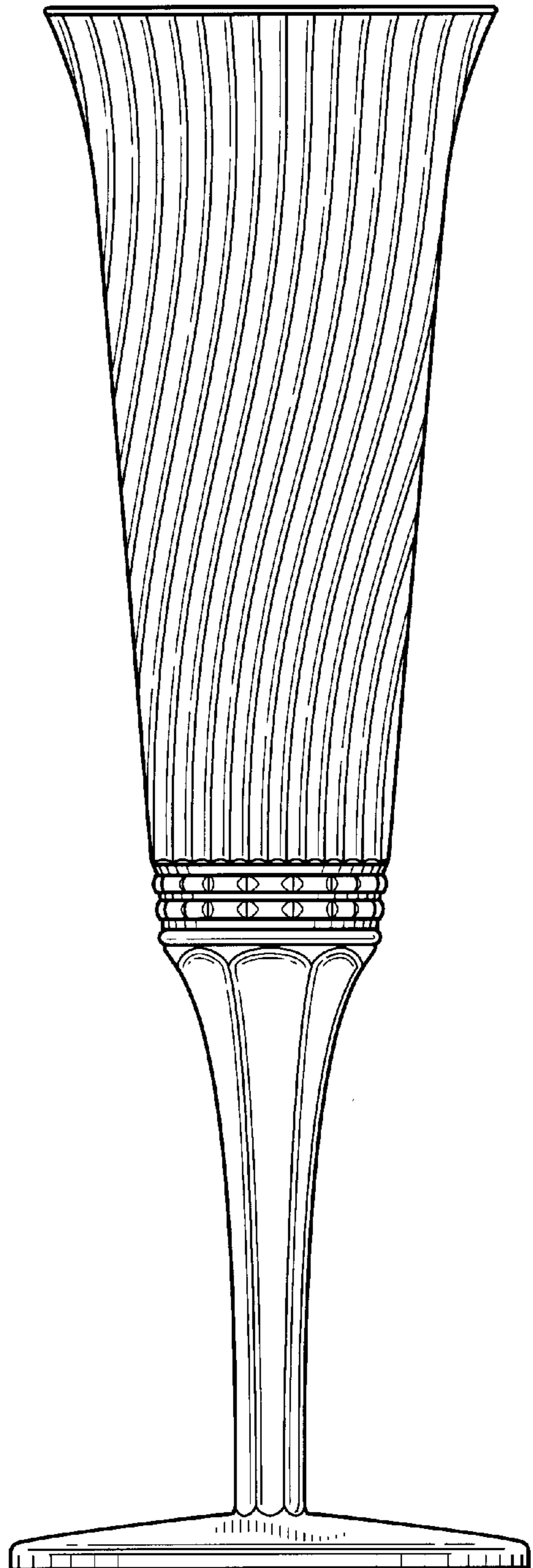
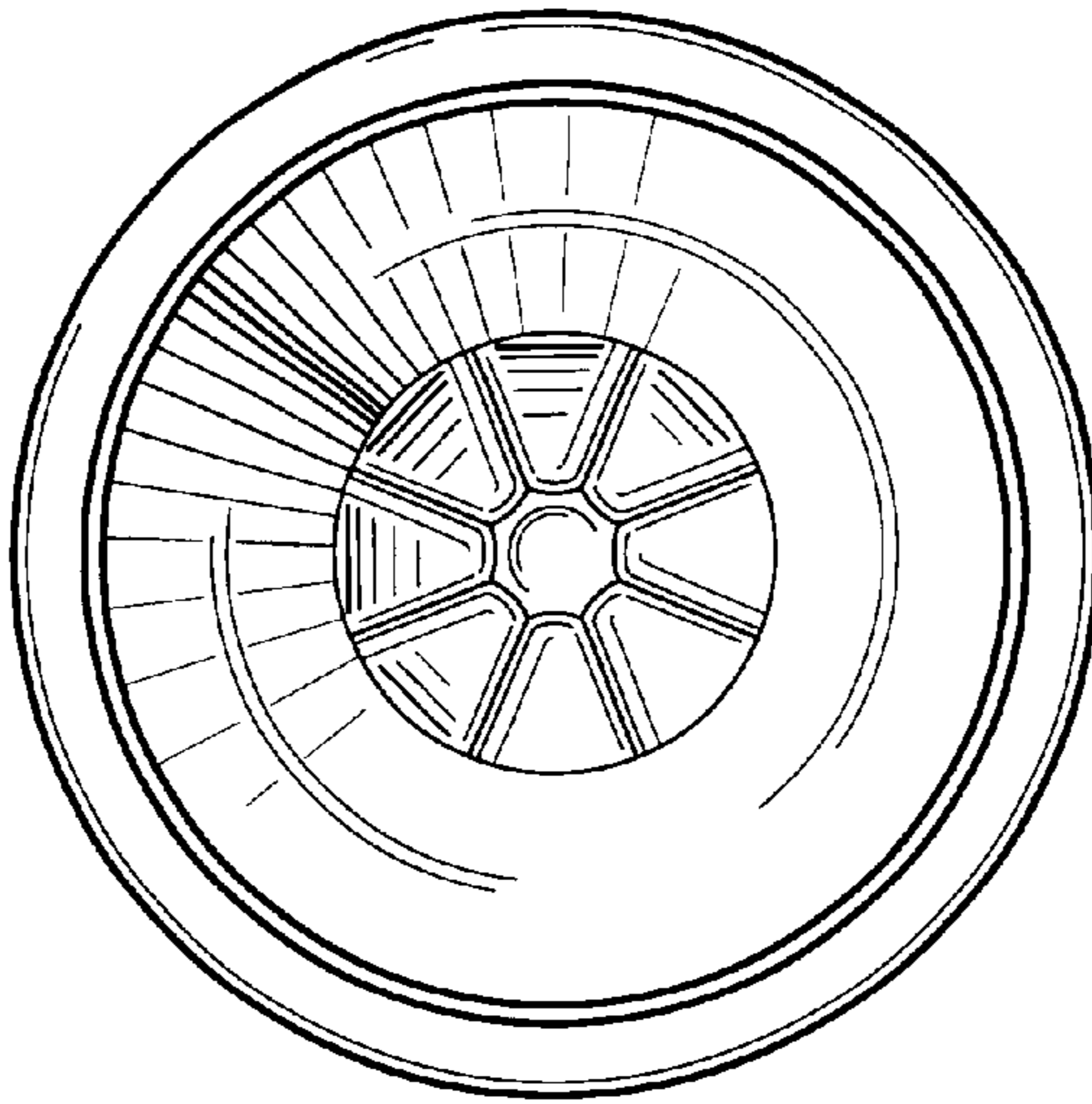


FIG. 2



**FIG. 3**



**FIG. 4**

