



US00D479667S

(12) **United States Design Patent**  
**Hoff et al.**

(10) **Patent No.:** **US D479,667 S**

(45) **Date of Patent:** **\*\* Sep. 16, 2003**

(54) **GRIDDLE HANDLE**

D420,856 S \* 2/2000 Yeo et al. .... D7/554.2  
D448,972 S 10/2001 Knorr  
D458,507 S 6/2002 Meelen

(75) Inventors: **Susan K. Hoff**, Belmont, MI (US);  
**Kimberley I. Markoff**, Grand Rapids,  
MI (US)

\* cited by examiner

(73) Assignee: **Access Business Group International  
LLC**, Ada, MI (US)

*Primary Examiner*—Terry A. Wallace

(74) *Attorney, Agent, or Firm*—Warner Norcross & Judd  
LLP

(\*\*) Term: **14 Years**

(57) **CLAIM**

(21) Appl. No.: **29/172,709**

The ornamental design for griddle handle, as shown and  
described.

(22) Filed: **Dec. 16, 2002**

**DESCRIPTION**

(51) **LOC (7) Cl.** ..... **07-02**

(52) **U.S. Cl.** ..... **D7/393**

(58) **Field of Search** ..... D7/393, 354–361,  
D7/543, 545, 546, 550.1, 554.1–554.4;  
220/574–575, 912; 16/110.1, 430

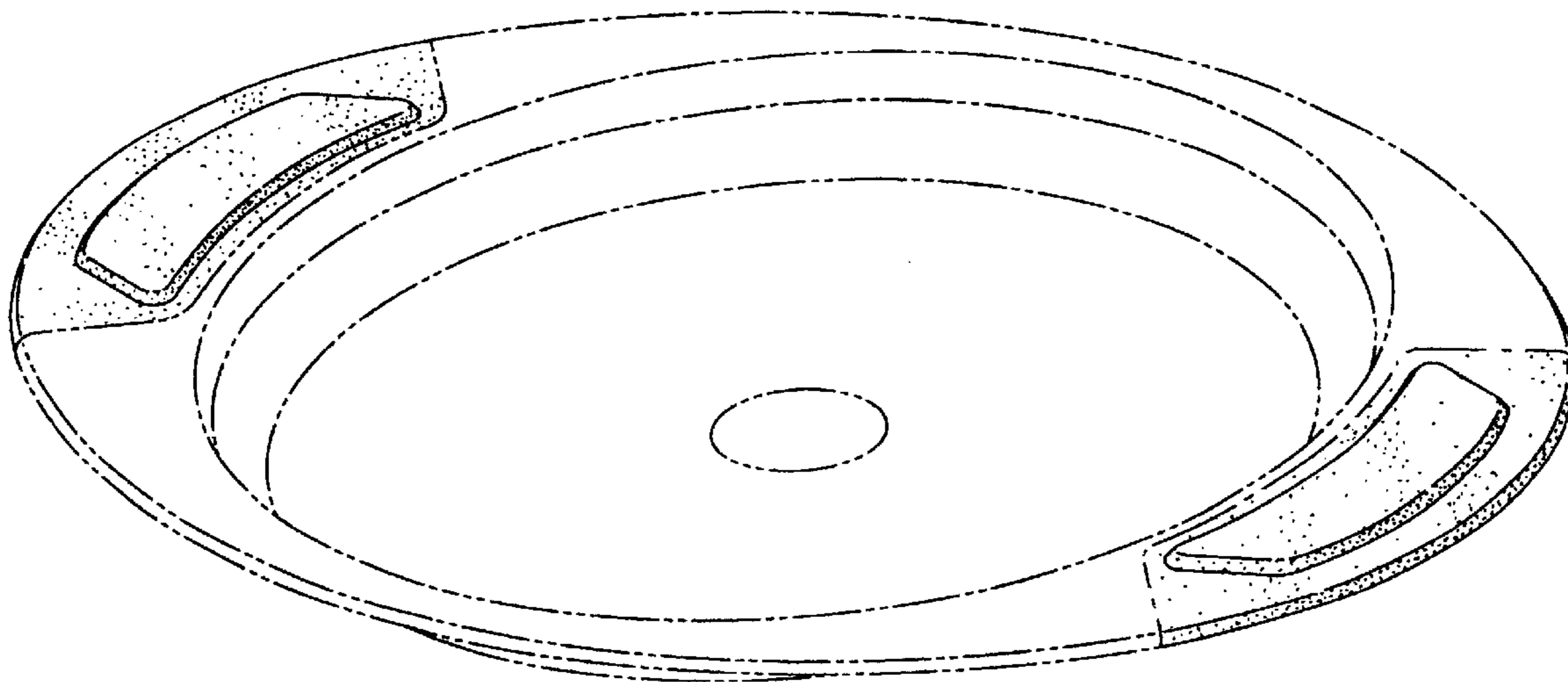
FIG. 1 is a perspective view of the griddle handle embody-  
ing the new design;  
FIG. 2 is a top plan view thereof;  
FIG. 3 is a bottom plan view thereof;  
FIG. 4 is a right side elevational view thereof, the left side  
elevational view being the mirror image thereof; and,  
FIG. 5 is a front elevational view thereof, the rear elevational  
view being the mirror image thereof.  
FIGS. 1–5 show portions of the griddle in broken lines.  
These portions of the griddle are shown for environmental  
purposes and do not form any part of the claimed design.

(56) **References Cited**

**U.S. PATENT DOCUMENTS**

- D344,431 S 2/1994 Welch
- D344,432 S 2/1994 Welch
- D348,178 S 6/1994 Munari
- D373,509 S \* 9/1996 Bormioli ..... D7/554.2
- D410,817 S 6/1999 Brunianyn

**1 Claim, 4 Drawing Sheets**



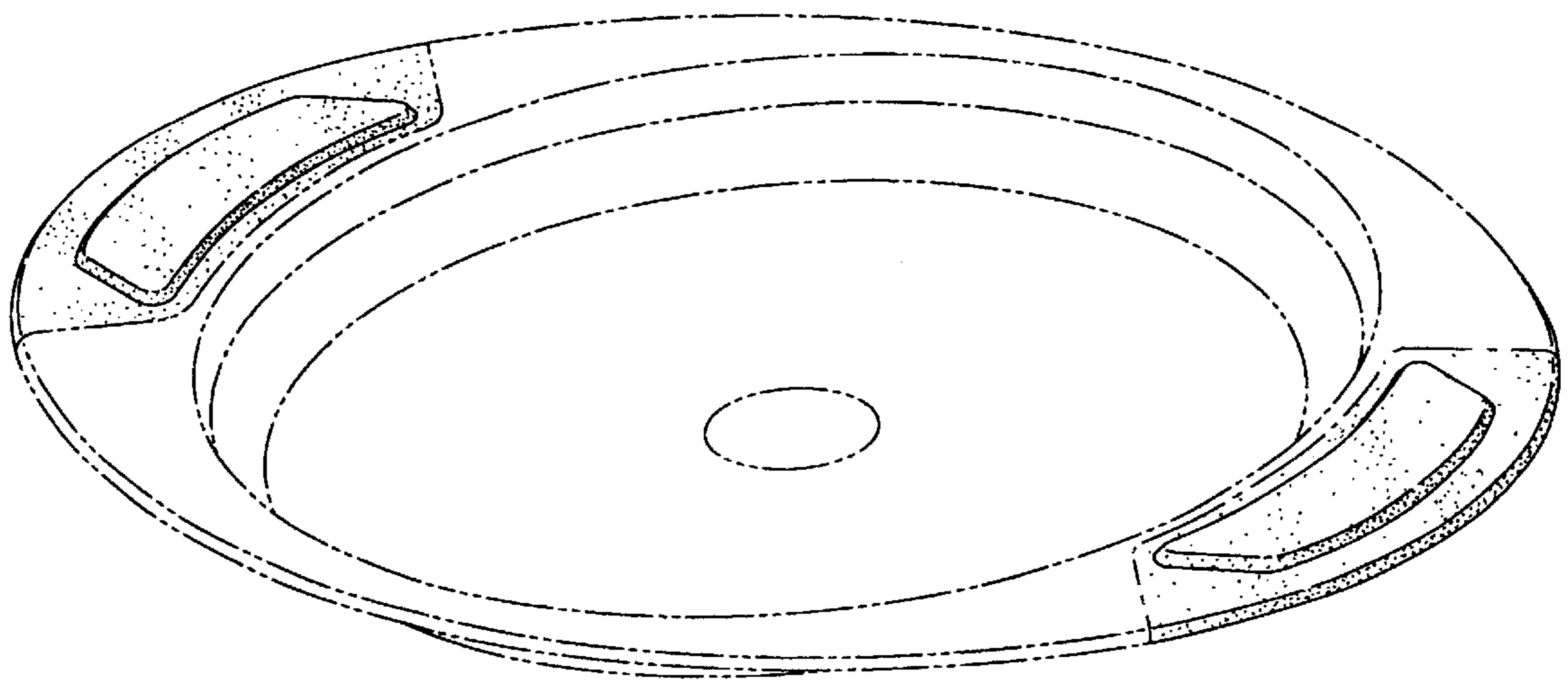


Fig. 1

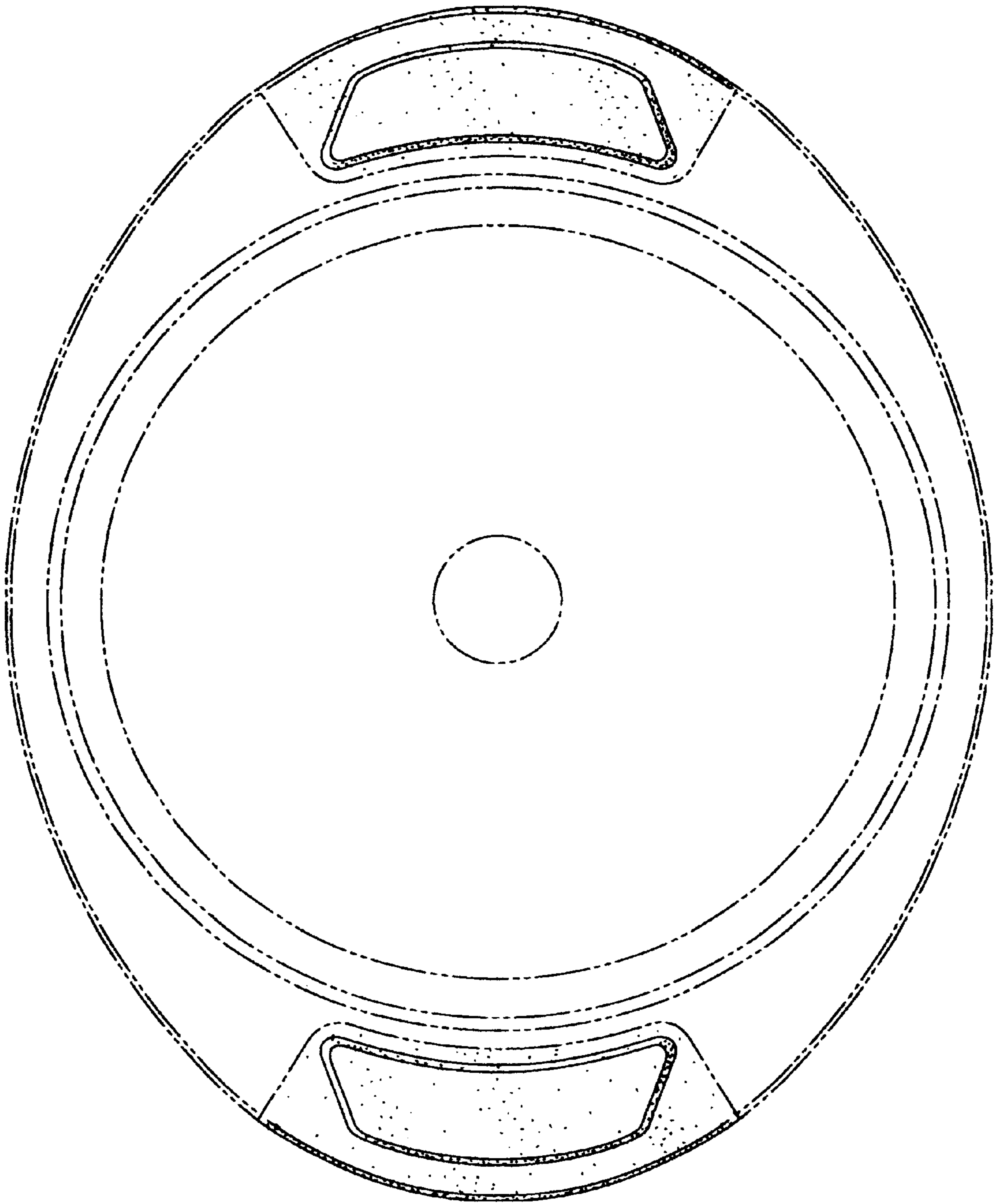


Fig. 2

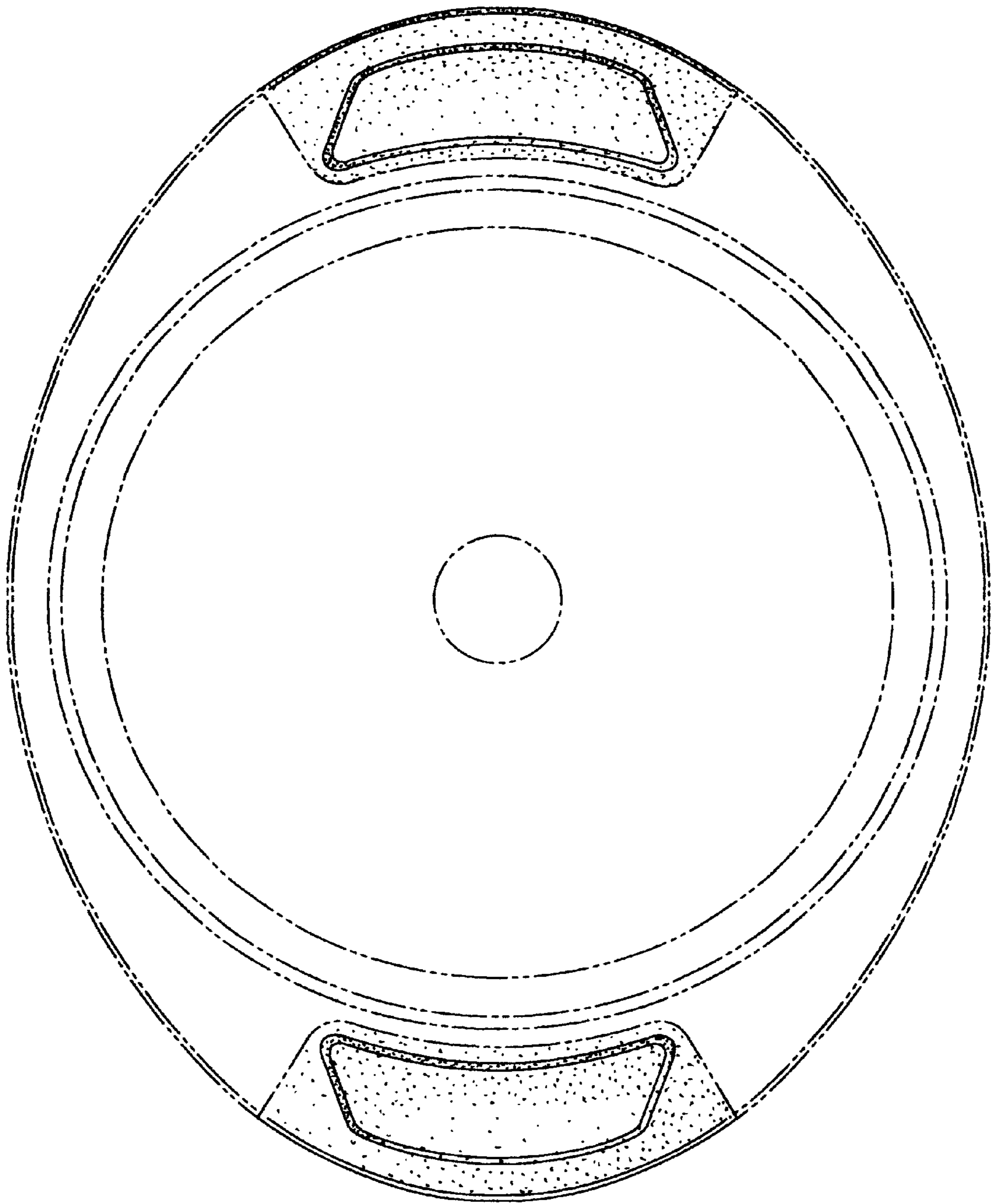


Fig. 3

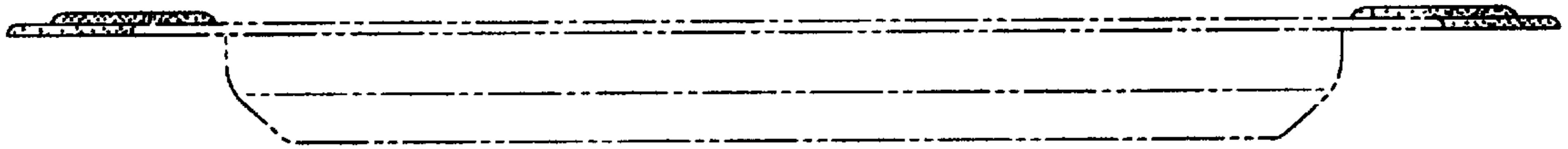


Fig. 4

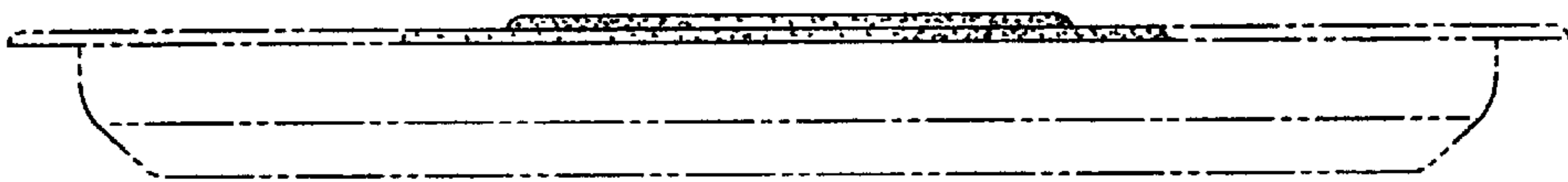


Fig. 5