



US00D479666S

(12) **United States Design Patent**  
**Barker**

(10) **Patent No.:** **US D479,666 S**

(45) **Date of Patent:** **\*\* Sep. 16, 2003**

(54) **BLENDER**

(75) **Inventor:** **Mario John Chaves Barker,**  
Annandale (AU)

(73) **Assignee:** **Breville Pty Ltd, Botany (AU)**

(\*\*) **Term:** **14 Years**

(21) **Appl. No.:** **29/169,252**

(22) **Filed:** **Oct. 16, 2002**

(30) **Foreign Application Priority Data**

Apr. 17, 2002 (AU) ..... 1143/2002

(51) **LOC (7) Cl.** ..... **31-00**

(52) **U.S. Cl.** ..... **D7/378**

(58) **Field of Search** ..... D7/376-380, 384,  
D7/386, 412; 241/33, 37.5, 101.01, 101.1,  
274, 285.2, 282.2; 366/65, 96, 98, 197,  
199, 205, 206, 241-247, 279, 341

(56) **References Cited**

**U.S. PATENT DOCUMENTS**

D199,888 S \* 12/1964 Dewenter ..... D7/378  
D204,924 S \* 5/1966 Di Sesa ..... D7/378

3,537,691 A \* 11/1970 Tsuruta et al. .... 241/282.2  
D349,423 S \* 8/1994 Burgel ..... D7/378  
D403,202 S \* 12/1998 Cousins ..... D7/378

**FOREIGN PATENT DOCUMENTS**

GB 3007385 \* 10/2002

\* cited by examiner

*Primary Examiner*—Caron D. Veynar

(74) *Attorney, Agent, or Firm*—Dority & Manning, P.A.

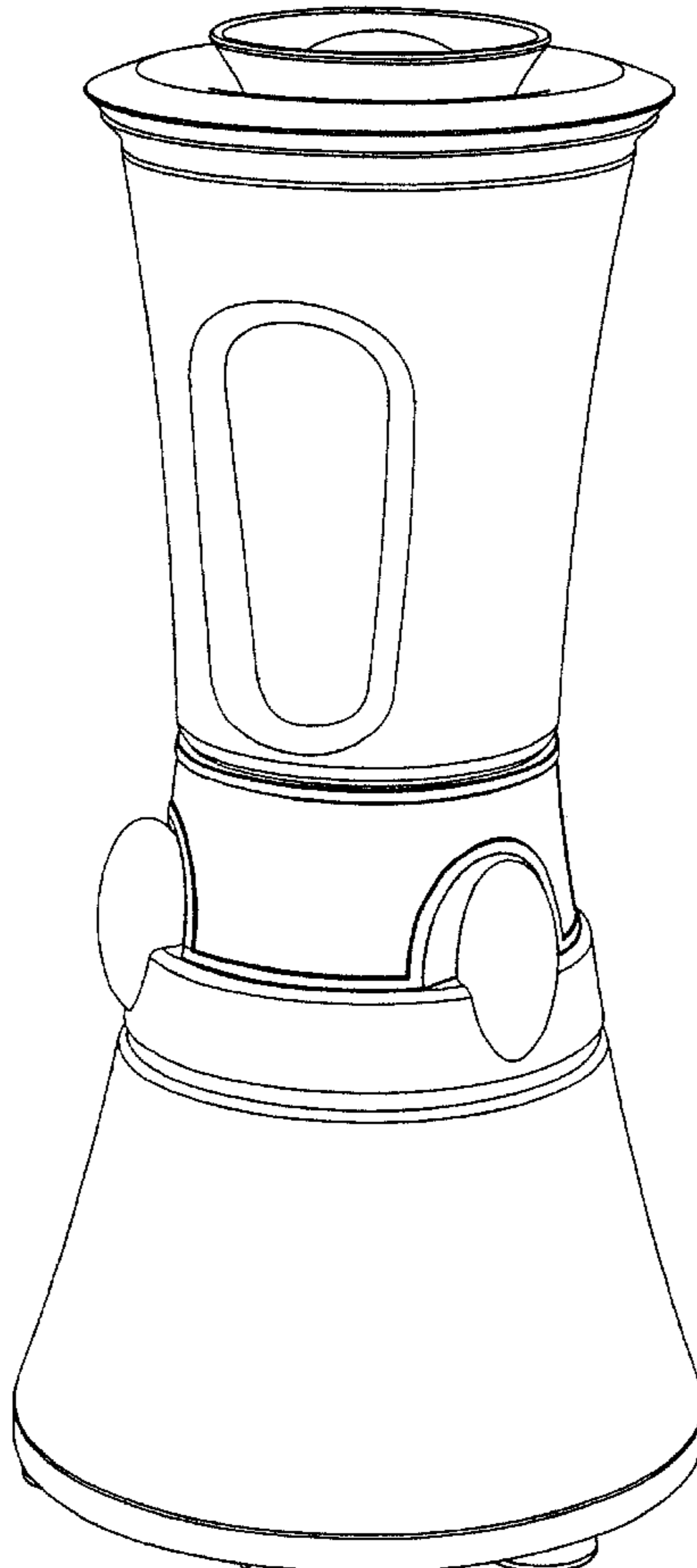
(57) **CLAIM**

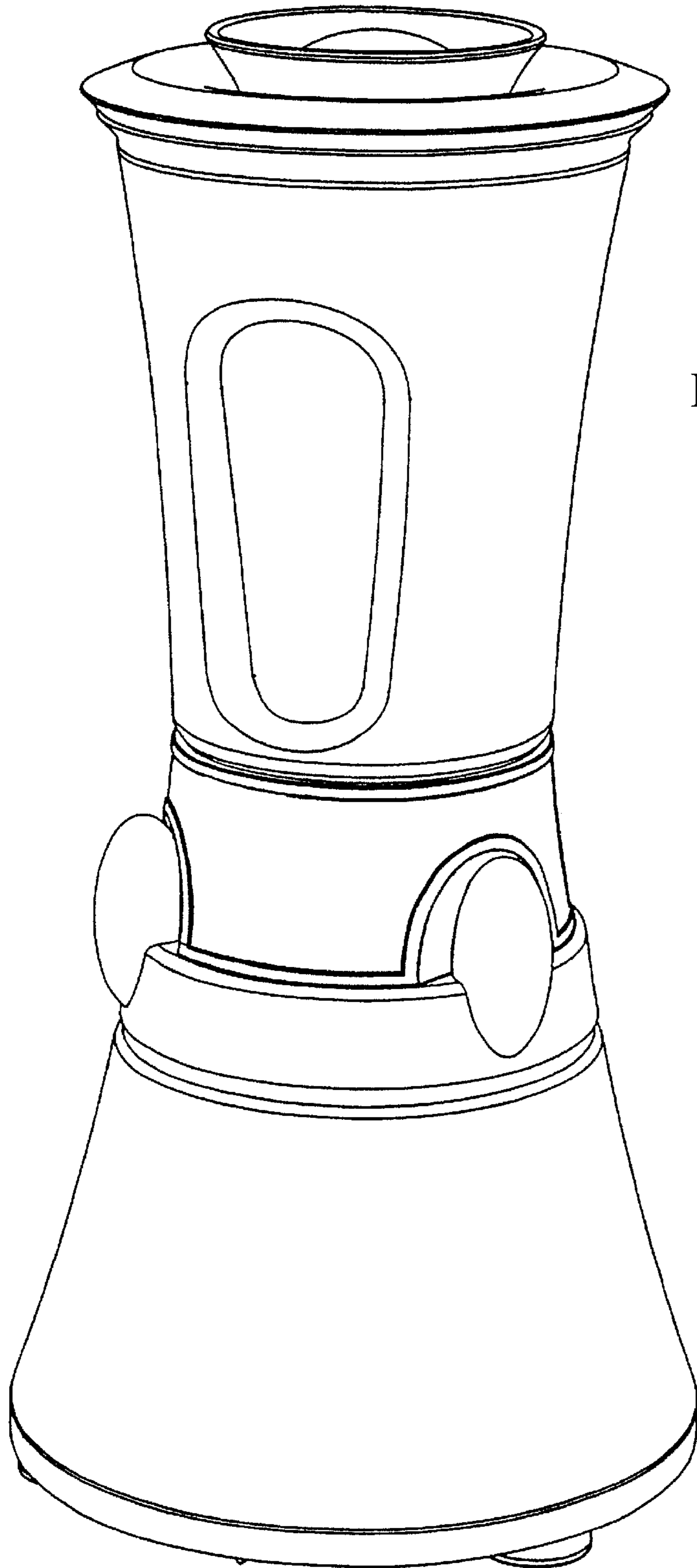
The ornamental design for a blender, as shown and described.

**DESCRIPTION**

FIG. 1 is a top perspective view of a blender according to the present design;  
FIG. 2 is a bottom perspective view thereof;  
FIG. 3 is a first elevational view thereof;  
FIG. 4 is a second elevational view thereof;  
FIG. 5 is a third elevational view thereof;  
FIG. 6 is a top plan view thereof; and,  
FIG. 7 is a bottom plan view thereof.

**1 Claim, 7 Drawing Sheets**





**FIGURE 1**

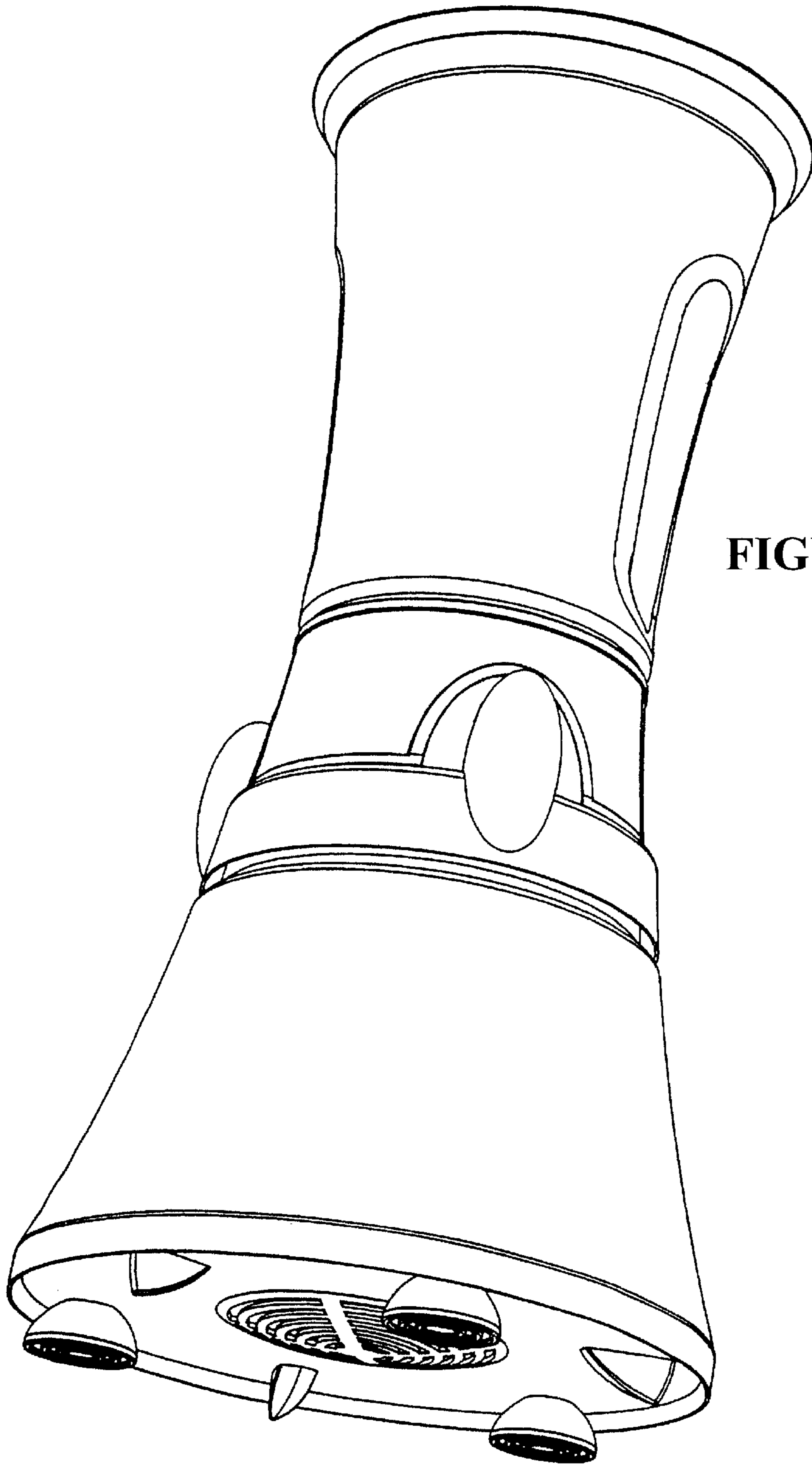
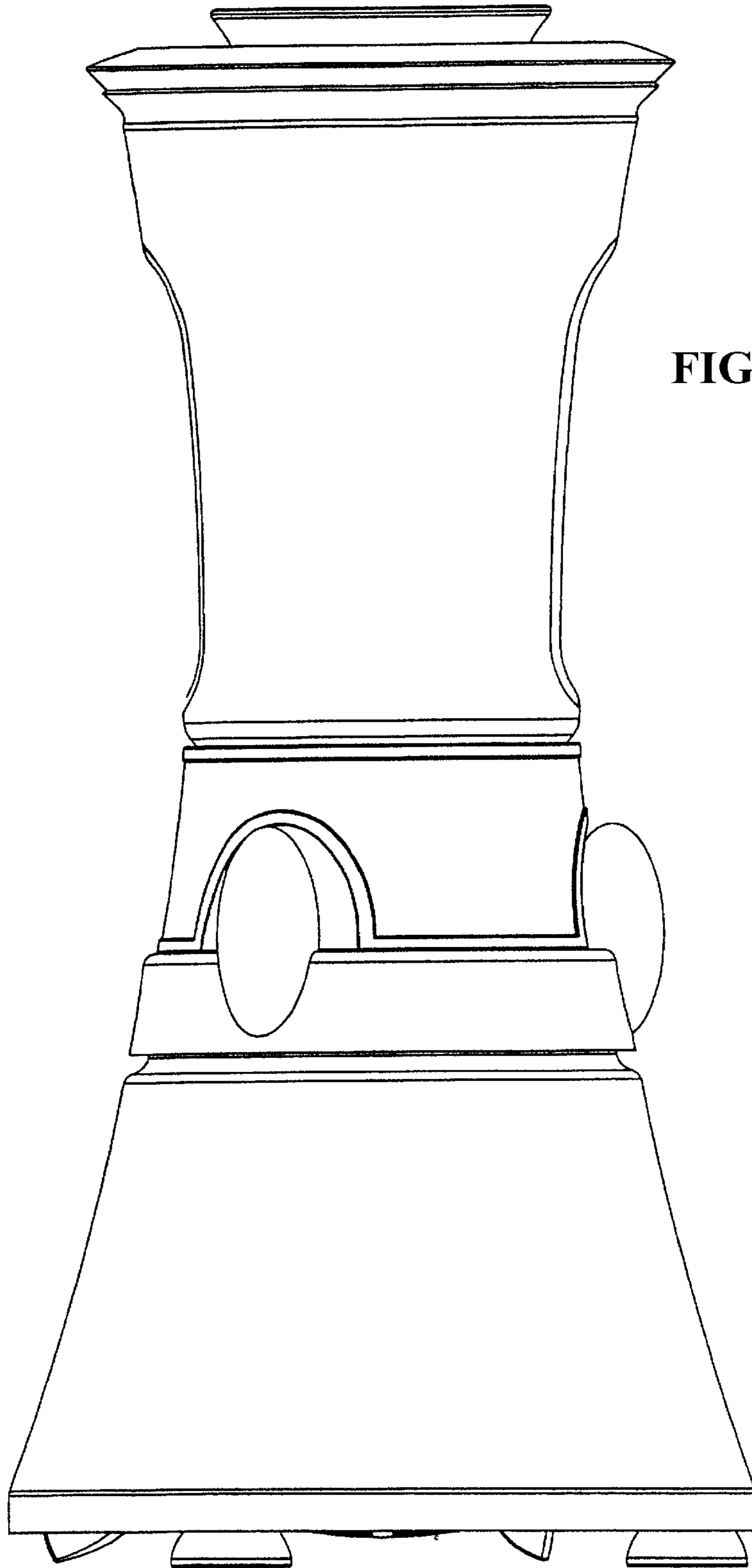


FIGURE 2



**FIGURE 3**

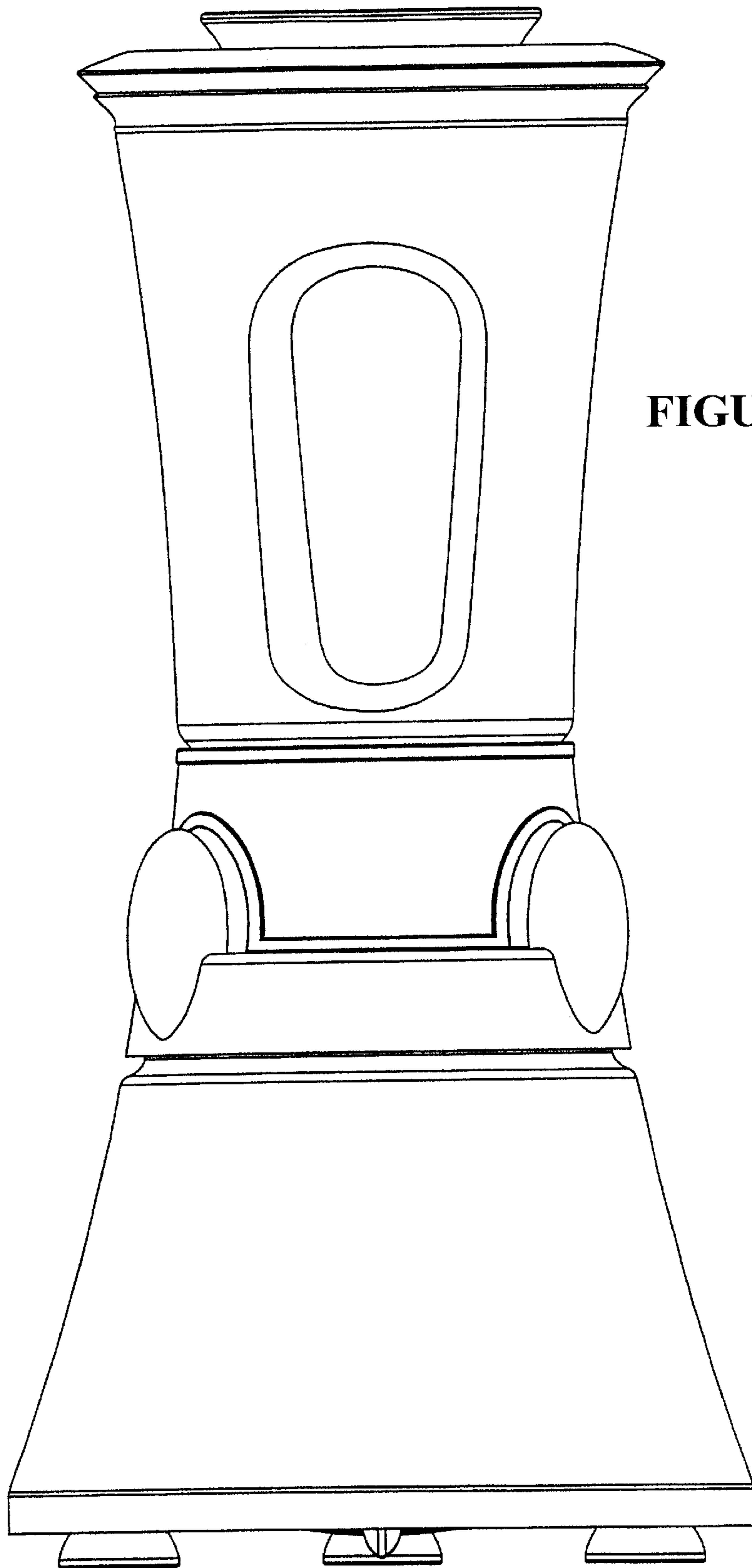
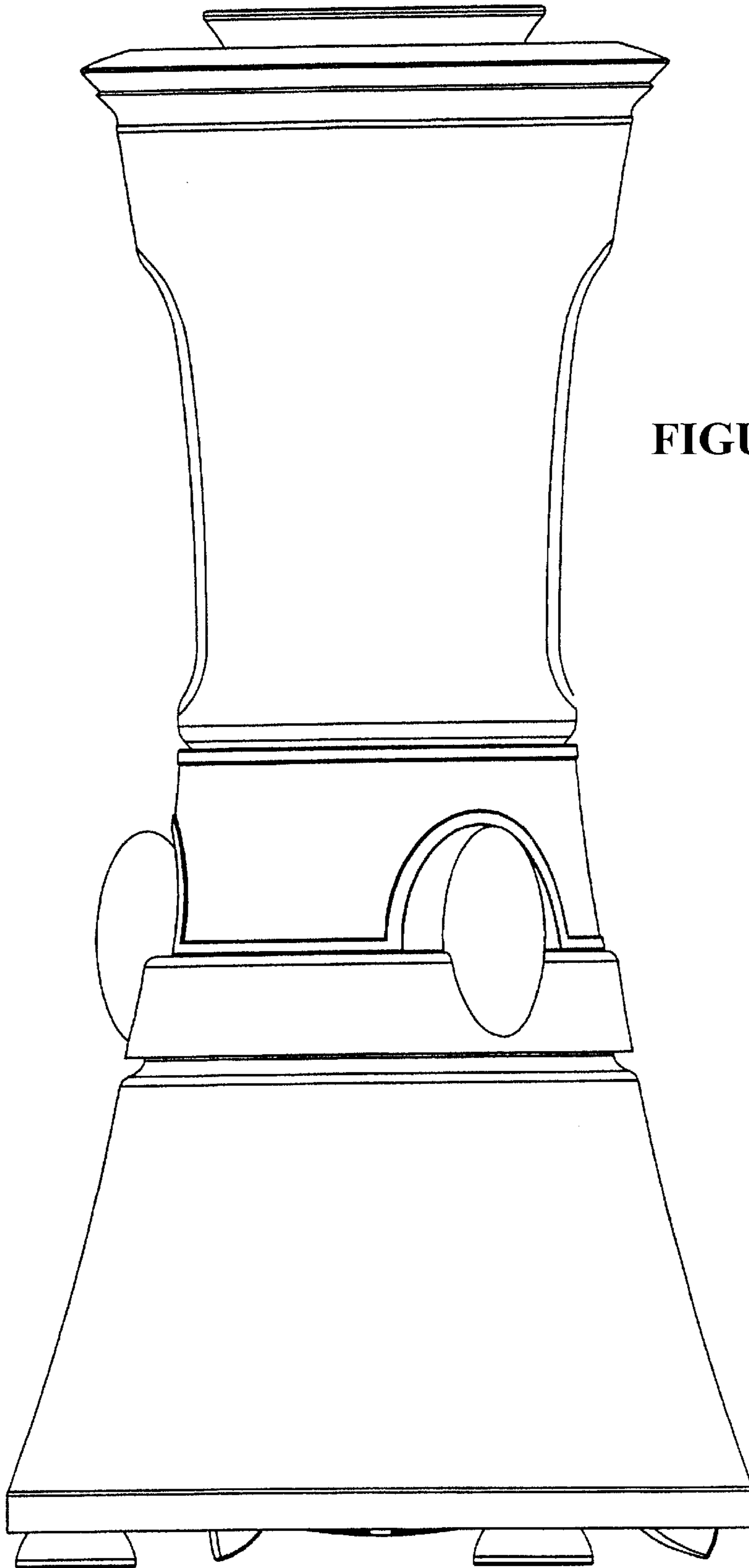
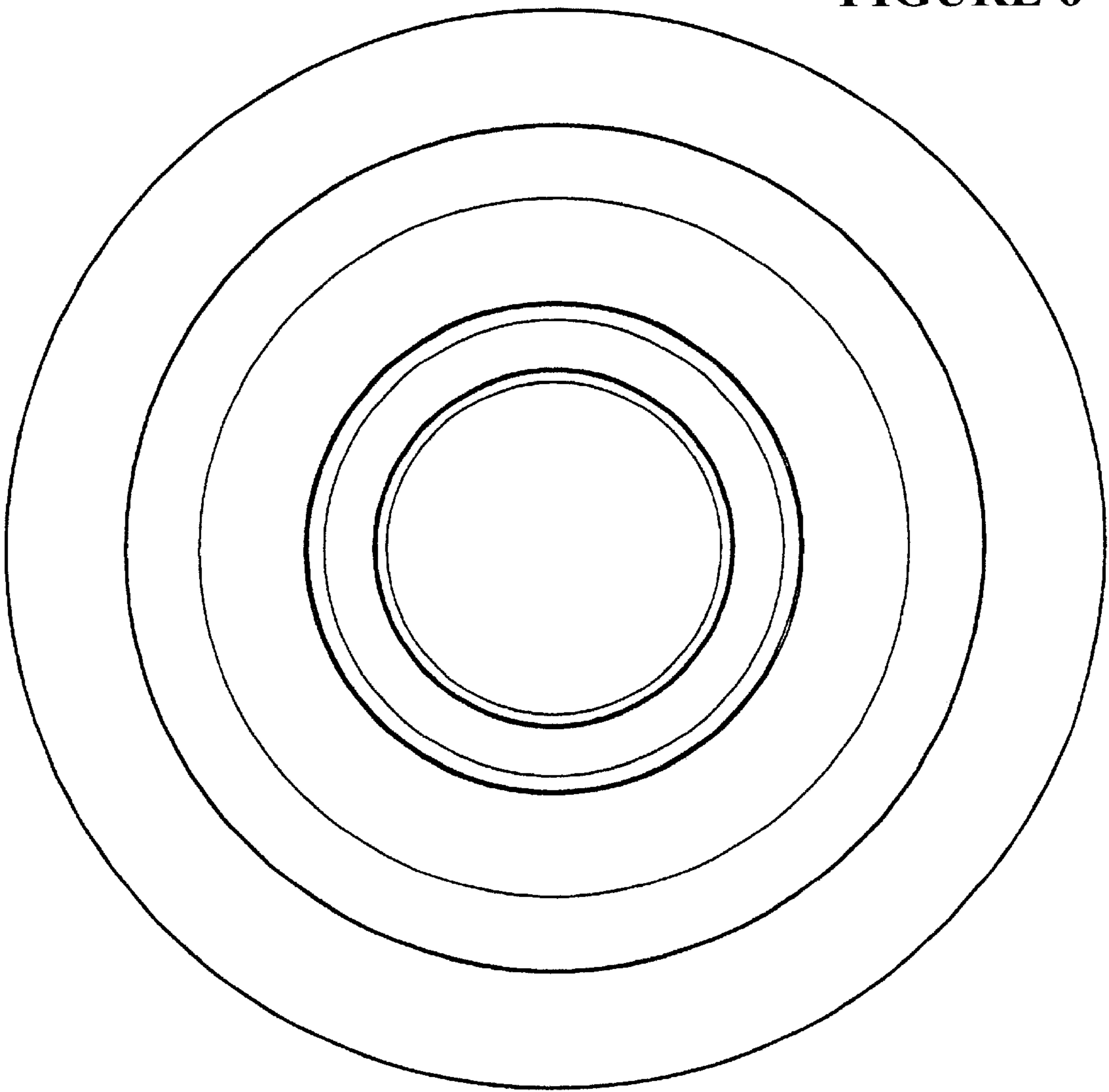


FIGURE 4



**FIGURE 5**

**FIGURE 6**



**FIGURE 7**

