



US00D479665S

(12) **United States Design Patent**  
**Barker**

(10) **Patent No.:** **US D479,665 S**

(45) **Date of Patent:** **\*\* Sep. 16, 2003**

(54) **SANDWICH PRESS**

**FOREIGN PATENT DOCUMENTS**

(75) Inventor: **Mario John Chaves Barker,**  
Annandale (AU)

GB 2092049 \* 4/2000  
GB 2096421 \* 2/2001

(73) Assignee: **Breville Pty Ltd,** Botany (AU)

\* cited by examiner

(\*\*) Term: **14 Years**

*Primary Examiner*—Caron D. Veynar  
(74) *Attorney, Agent, or Firm*—Dority & Manning, P.A.

(21) Appl. No.: **29/169,202**

(57) **CLAIM**

(22) Filed: **Oct. 16, 2002**

The ornamental design for a sandwich press, as shown and described.

(30) **Foreign Application Priority Data**

Apr. 17, 2002 (AU) ..... 1142/2002

**DESCRIPTION**

(51) **LOC (7) Cl.** ..... **07-02**

FIG. 1 is a first top perspective view of a sandwich press according to the present design;

(52) **U.S. Cl.** ..... **D7/352**

FIG. 2 is a second top perspective view thereof;

(58) **Field of Search** ..... D7/323, 328-330,  
D7/352-361; 99/324, 325, 331, 339, 357,  
372, 376, 377, 446; 219/620-622

FIG. 3 is a bottom plan view thereof;

FIG. 4 is a front elevation view thereof;

FIG. 5 is a left side elevation view thereof;

FIG. 6 is a rear elevation view thereof;

FIG. 7 is a right side elevation view thereof; and,

FIG. 8 is a top plan view thereof.

(56) **References Cited**

**U.S. PATENT DOCUMENTS**

D436,794 S \* 1/2001 McClean ..... D7/352  
D452,109 S \* 12/2001 Hensel ..... D7/352

**1 Claim, 8 Drawing Sheets**

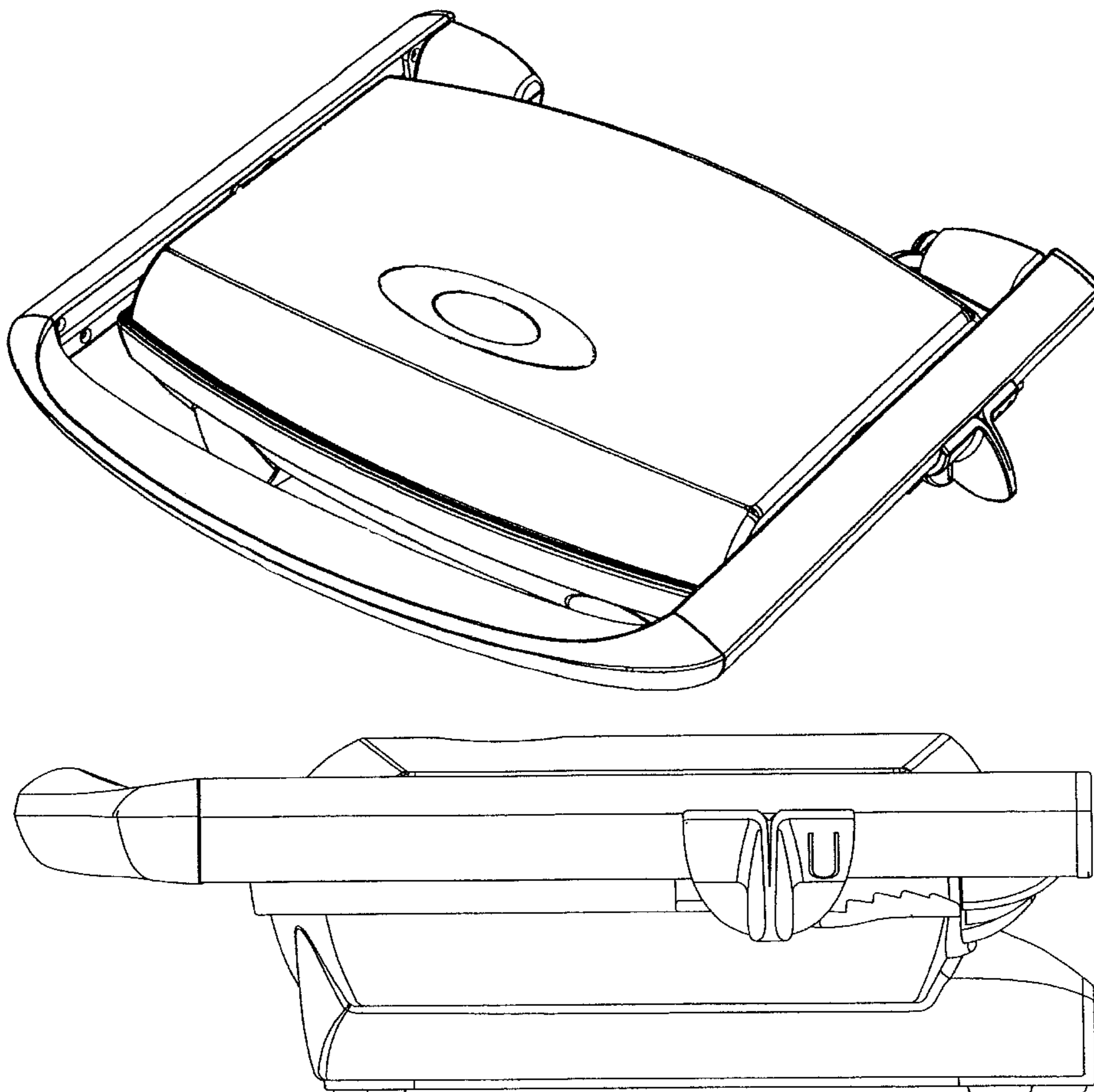


FIGURE 1

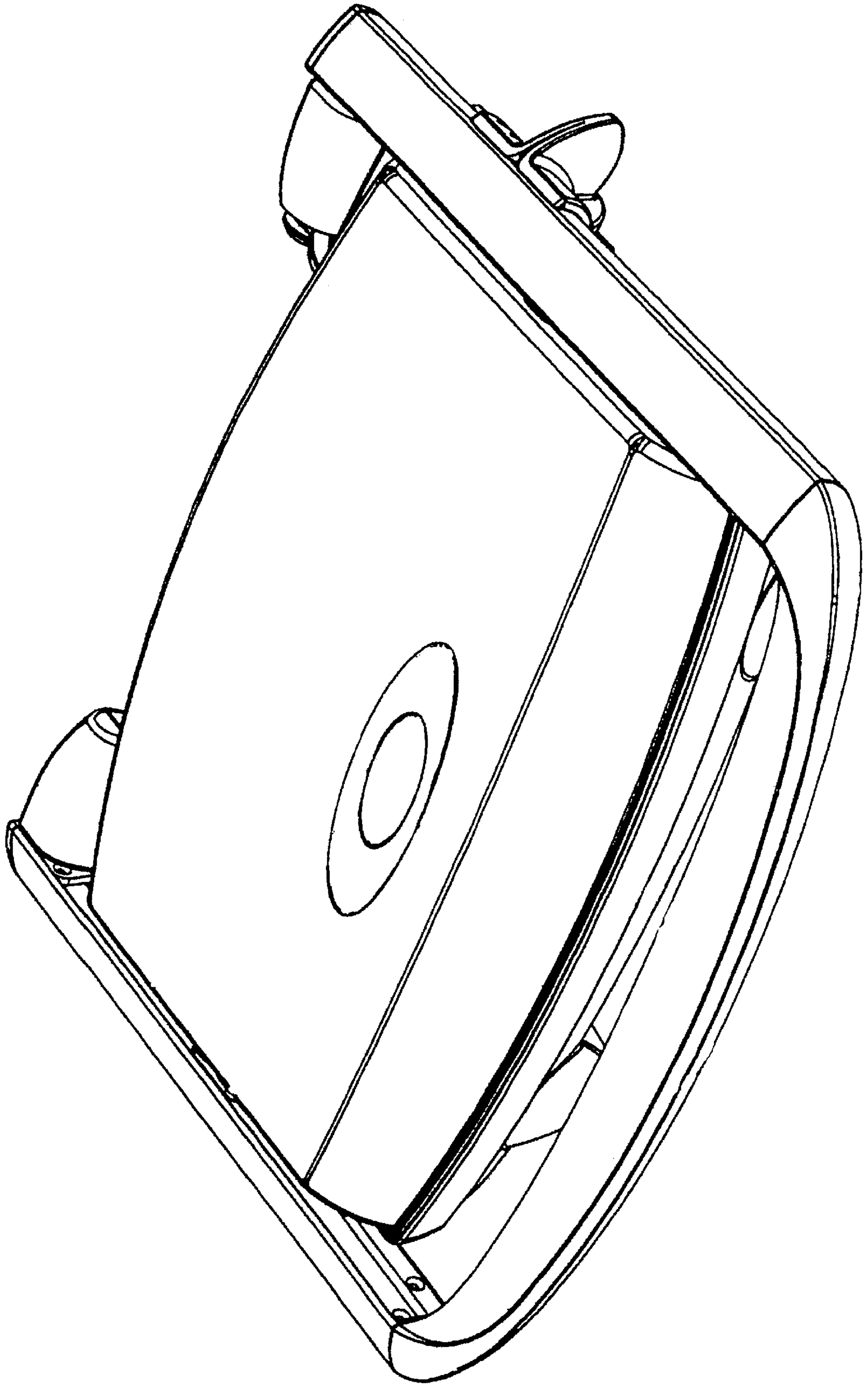


FIGURE 2

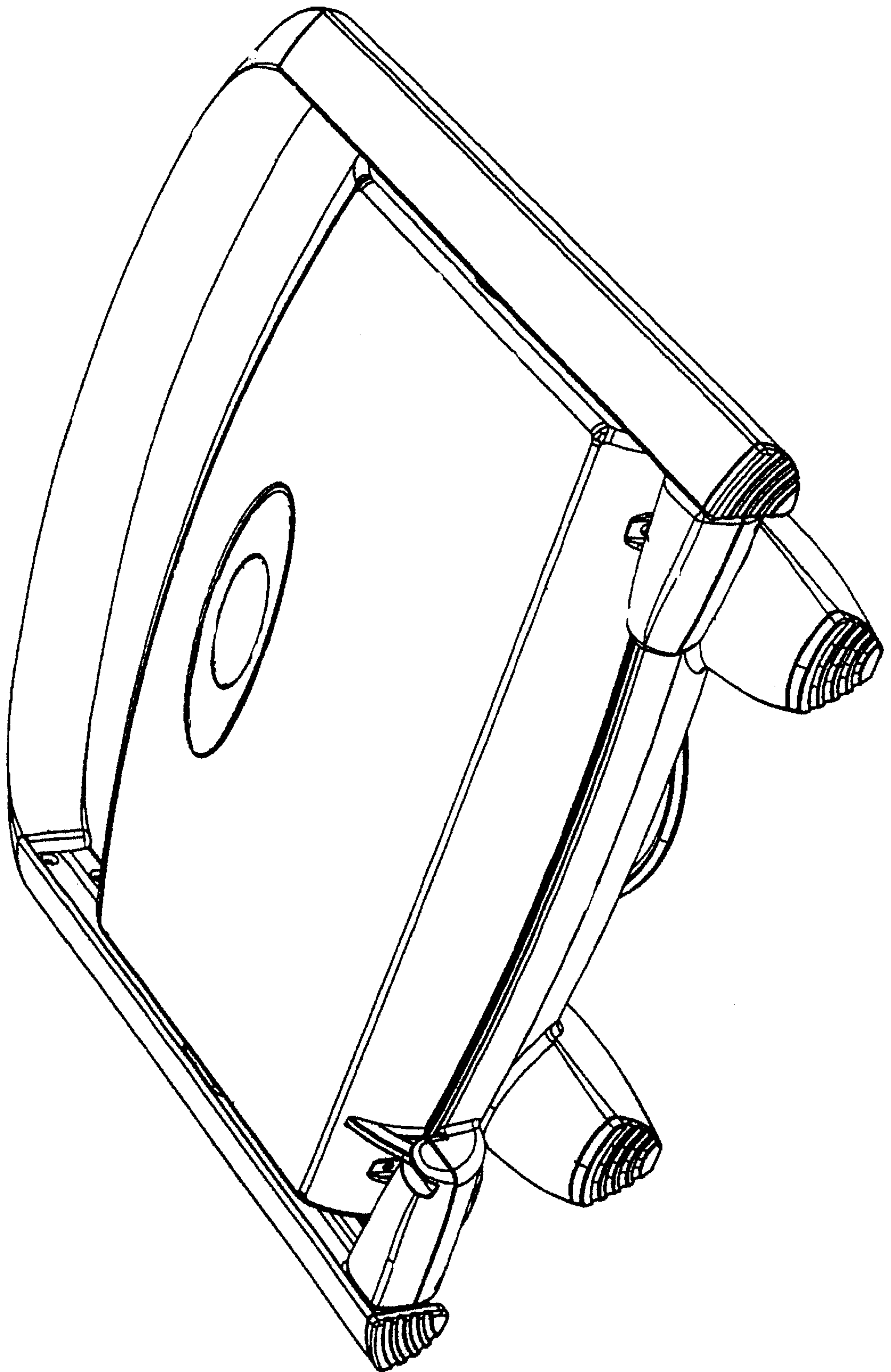


FIGURE 3

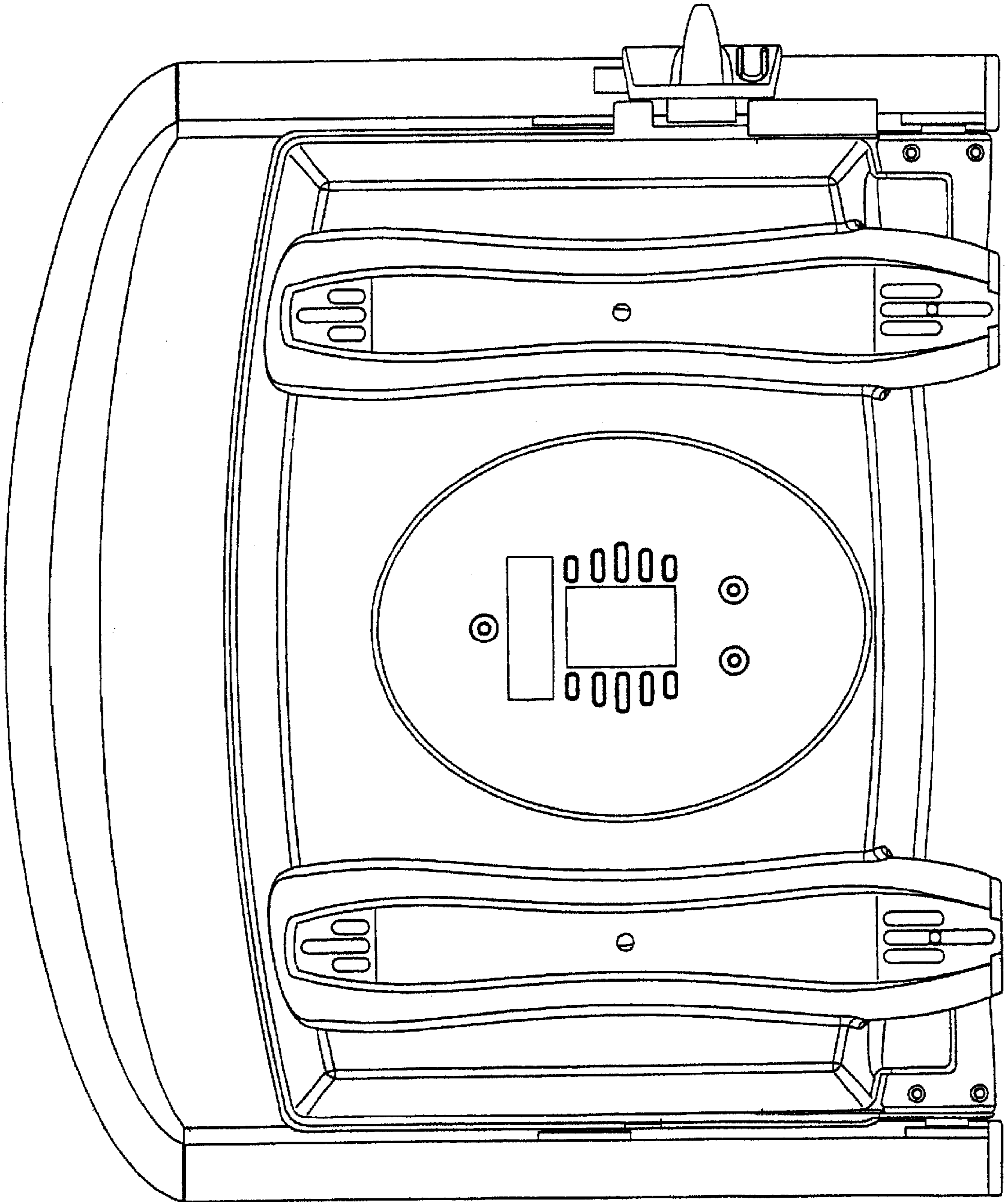


FIGURE 4

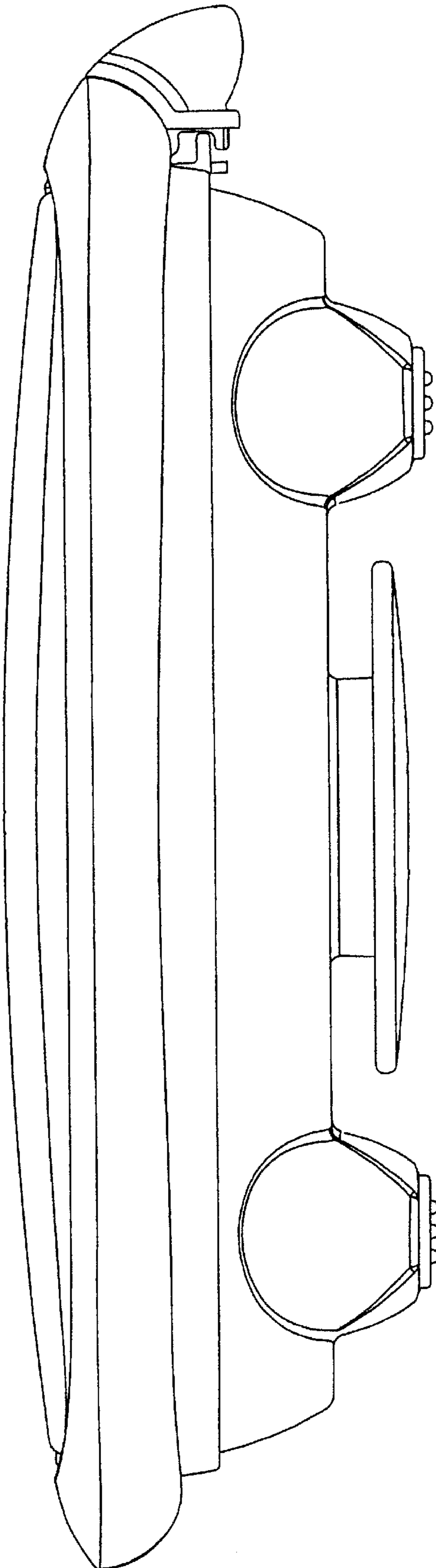


FIGURE 5

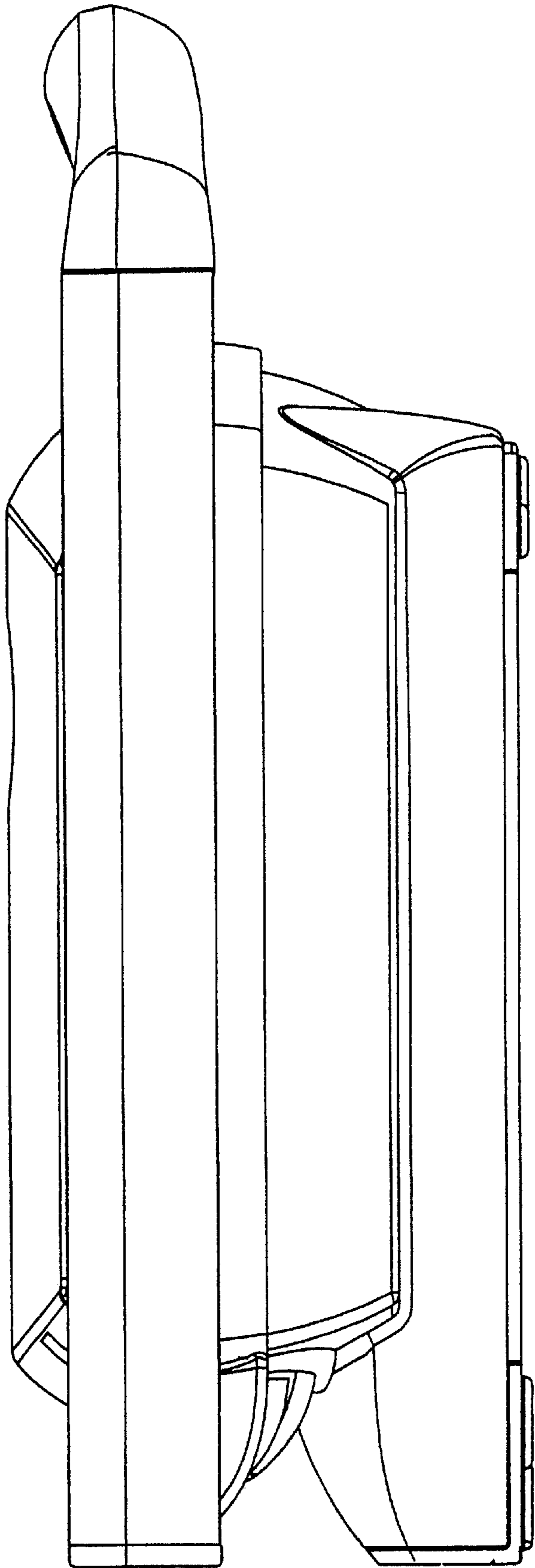


FIGURE 6

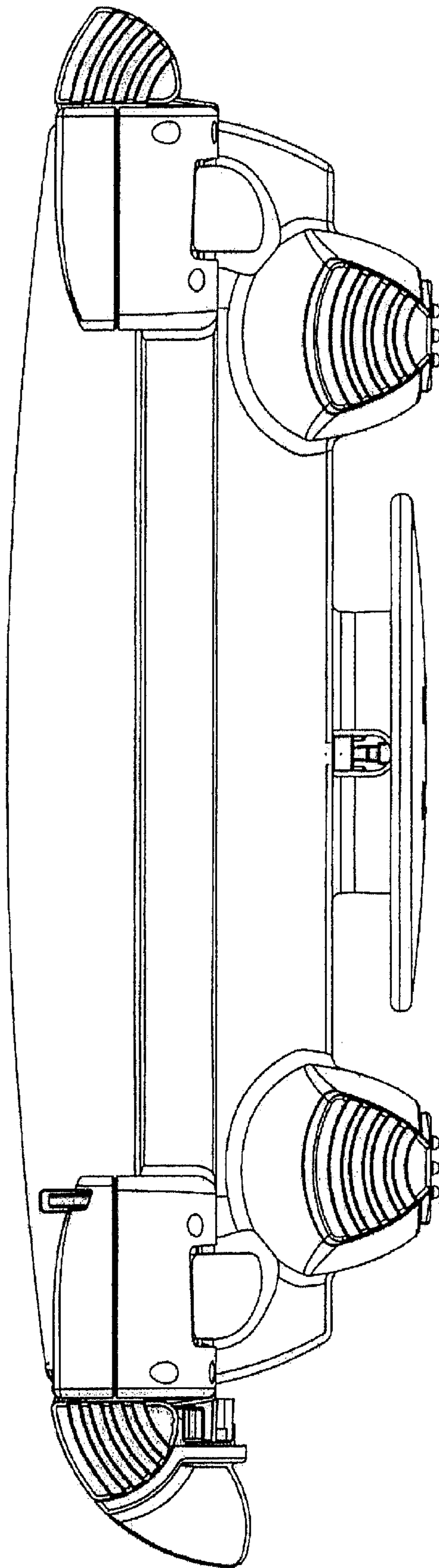


FIGURE 7

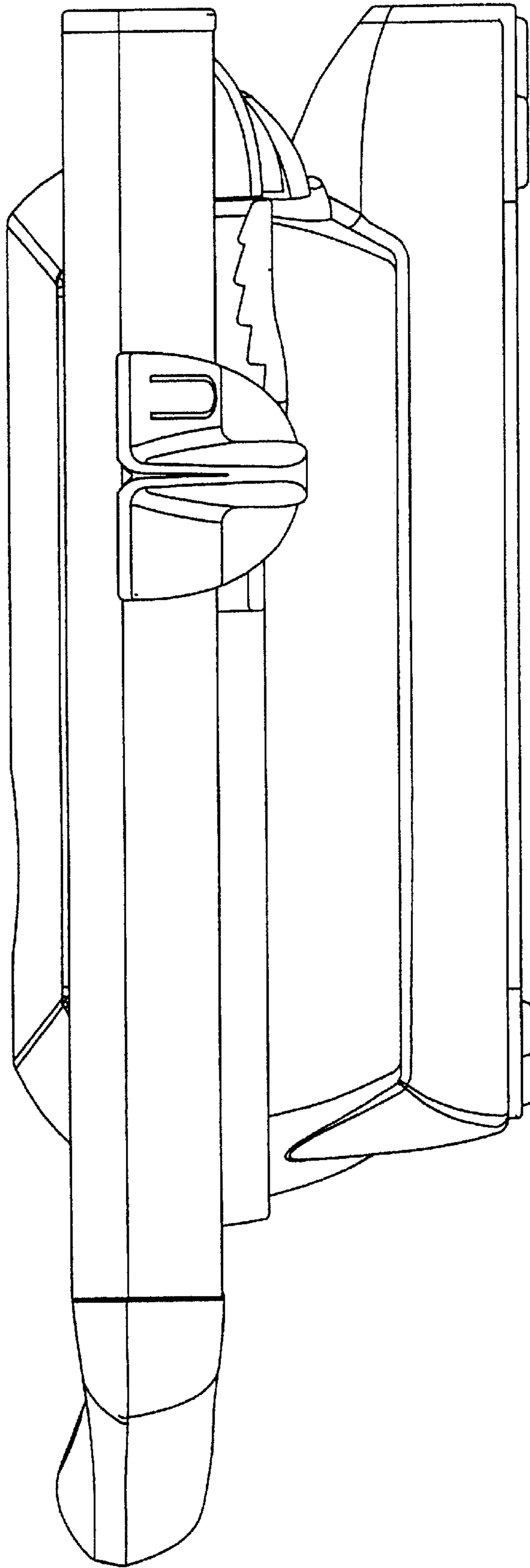




FIGURE 8

