



US00D479664S

(12) **United States Design Patent**
Schuyler

(10) **Patent No.:** **US D479,664 S**

(45) **Date of Patent:** **** Sep. 16, 2003**

(54) **COMBINED FOOD SMOKER AND GRILL**

D428,467 S * 7/2000 Petrosyan D22/104

(75) Inventor: **Neil Schuyler**, 1927 A S. Home Ave.,
Independence, MO (US) 64052

* cited by examiner

(73) Assignee: **Neil Schuyler**, Independence, MO (US)

Primary Examiner—Ruth McInroy
(74) *Attorney, Agent, or Firm*—Schmeiser, Olsen & Watts
LLP

(**) Term: **14 Years**

(57) **CLAIM**

(21) Appl. No.: **29/168,539**

The ornamental design for a combined food smoker and grill, as shown and described.

(22) Filed: **Oct. 2, 2002**

DESCRIPTION

(51) **LOC (7) Cl.** **07-02**

(52) **U.S. Cl.** **D7/335**

(58) **Field of Search** D7/332, 334, 335,
D7/336, 337, 402–404; 126/25 R, 25 A,
25 AA, 41 R, 29–30, 9 R, 38; 99/419 R;
D22/104; 42/59, 62

FIG. 1 is a left side elevational view of a combined food smoker and grill showing my new design;
FIG. 2 is a right side elevational view thereof;
FIG. 3 is a perspective view looking from the right rear thereof;
FIG. 4 is a rear elevational view thereof;
FIG. 5 is a front elevational view thereof; and,
FIG. 6 is a bottom plan view thereof.

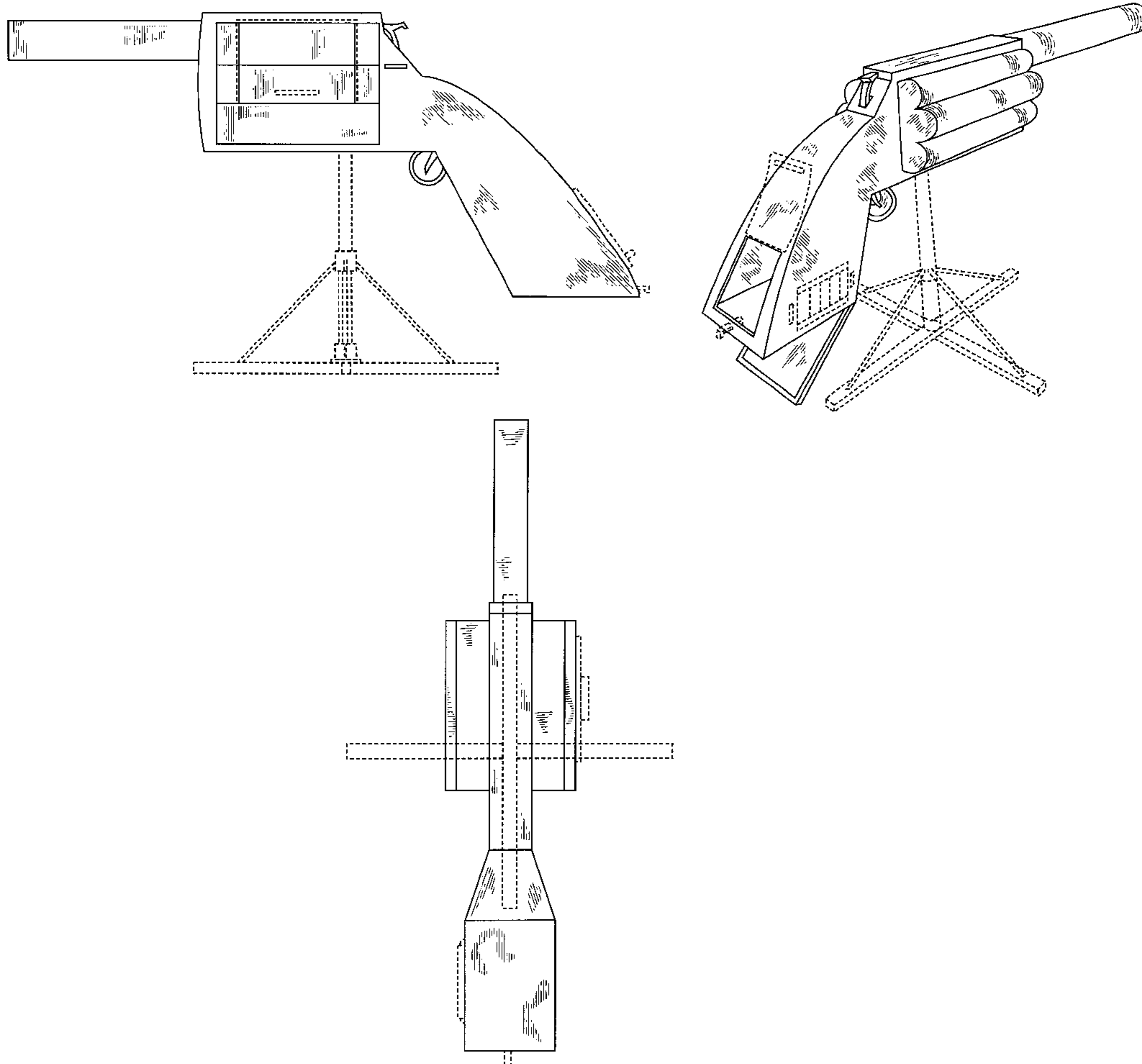
(56) **References Cited**

U.S. PATENT DOCUMENTS

- 3,030,723 A * 4/1962 Ivy 42/65
- D263,440 S * 3/1982 Feild D7/332
- D296,349 S * 6/1988 Ruger et al. D22/104
- 4,970,819 A * 11/1990 Mayhak 42/70.01

The details shown in broken lines in all views are for illustrative purposes only and form no part of the claimed design.

1 Claim, 6 Drawing Sheets



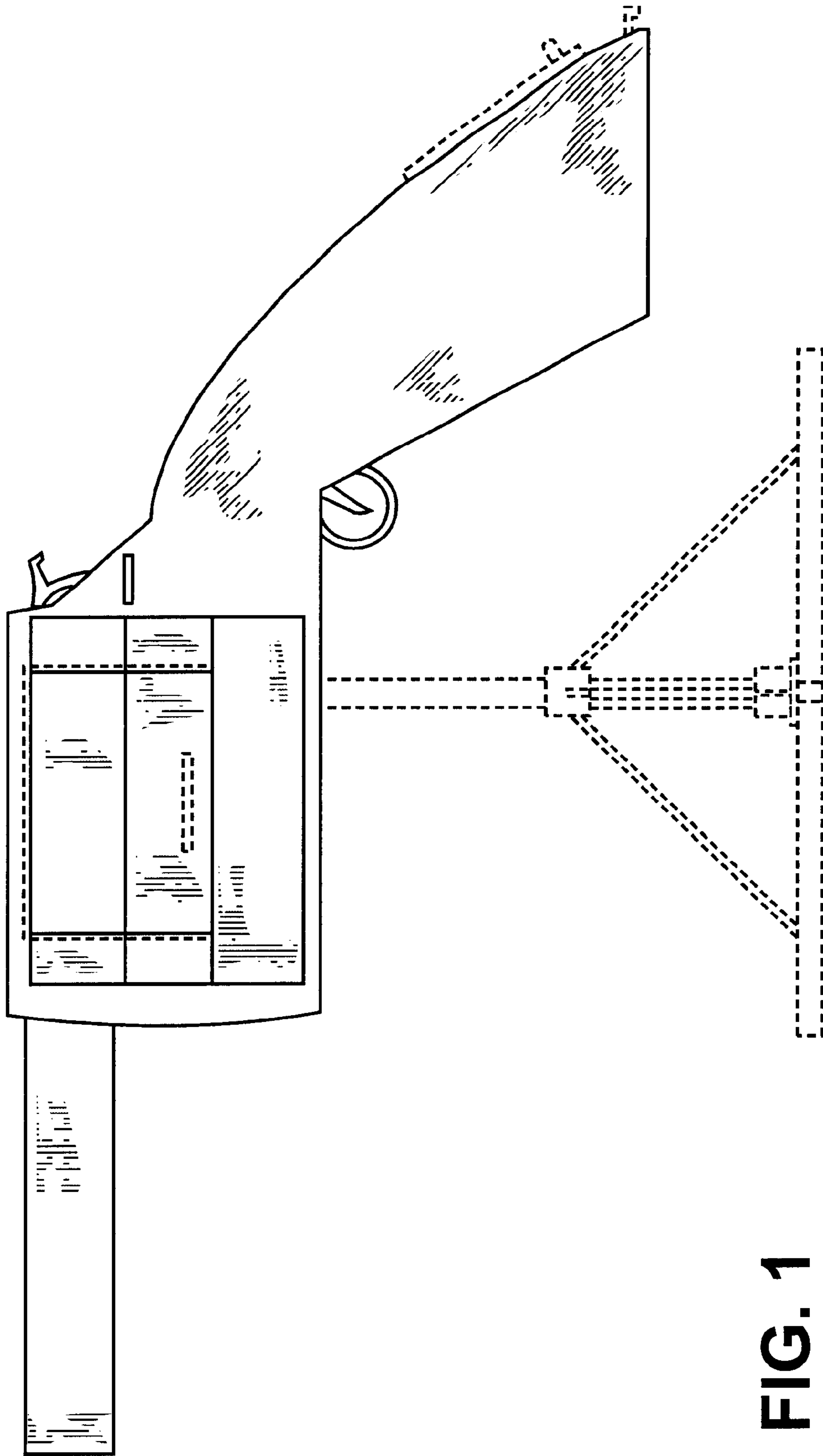


FIG. 1

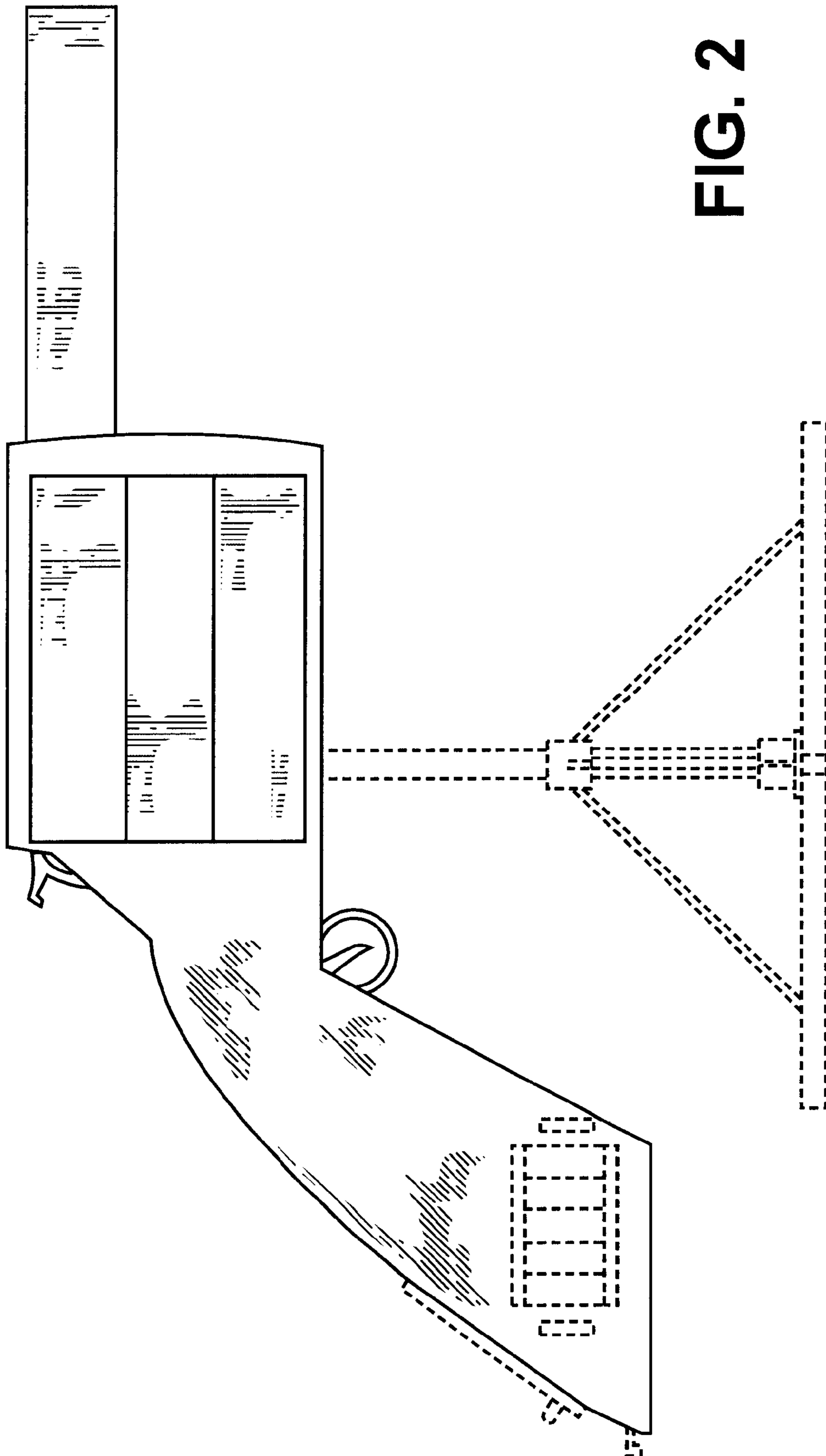


FIG. 2

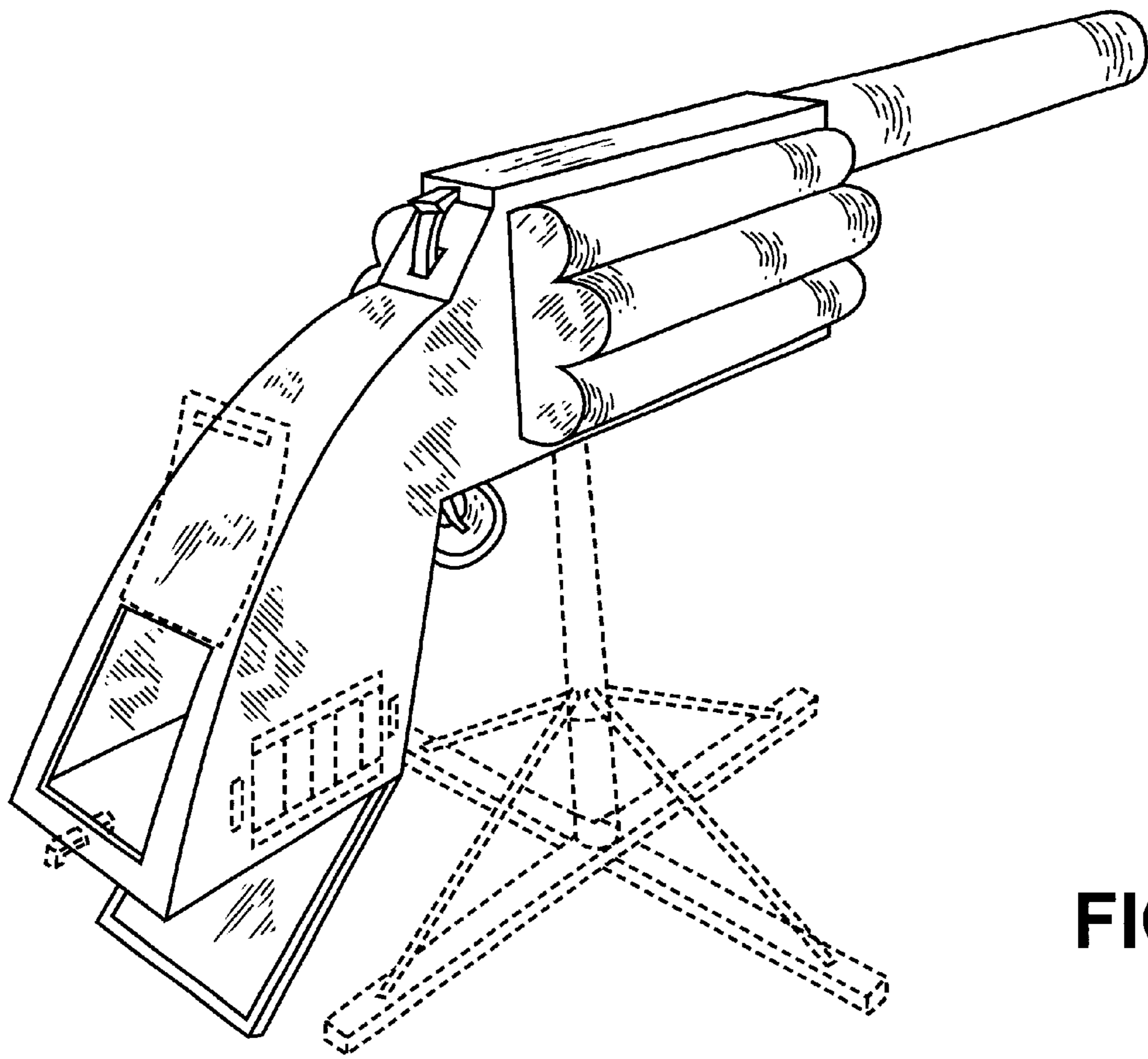


FIG. 3

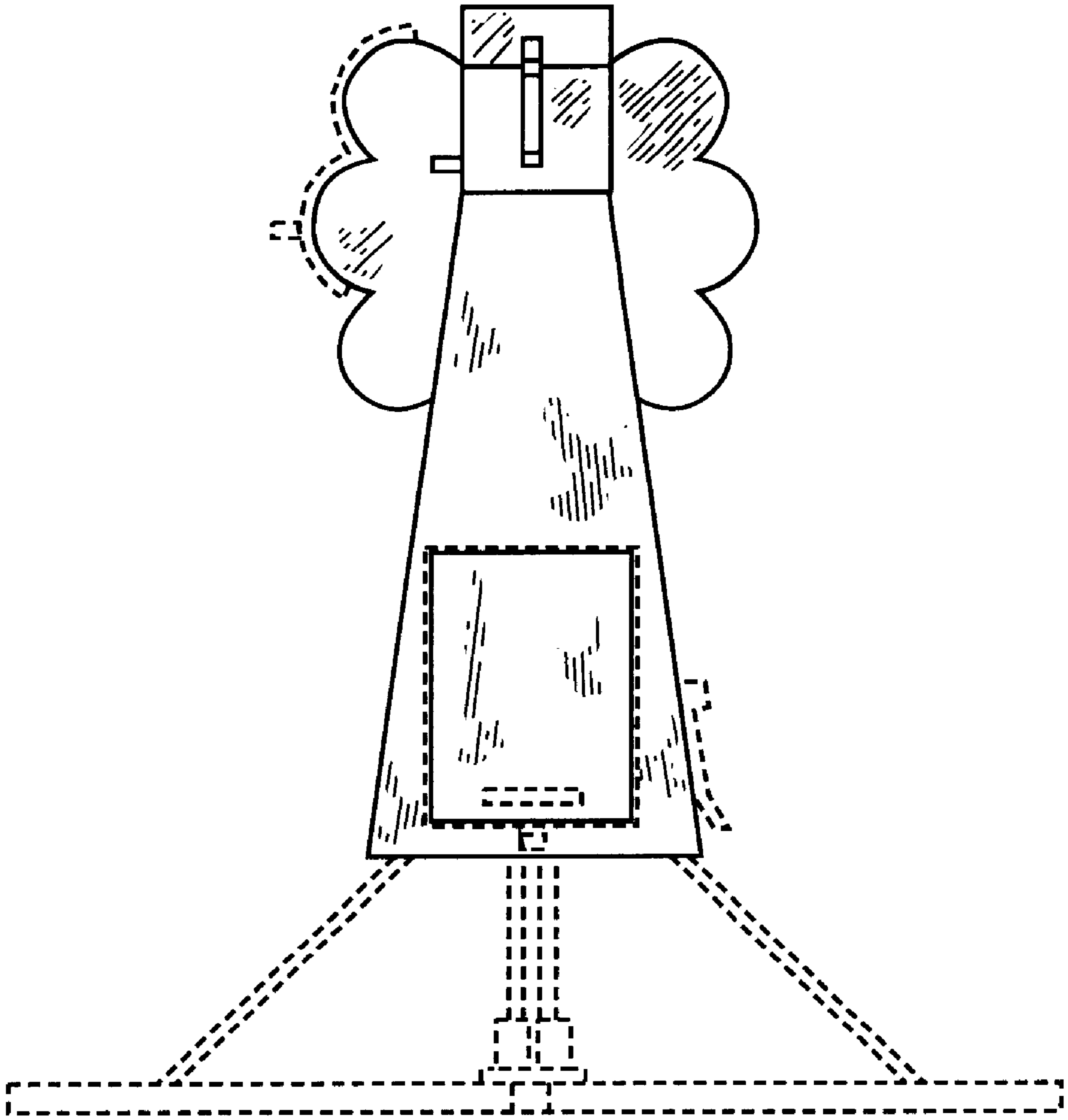


FIG. 4

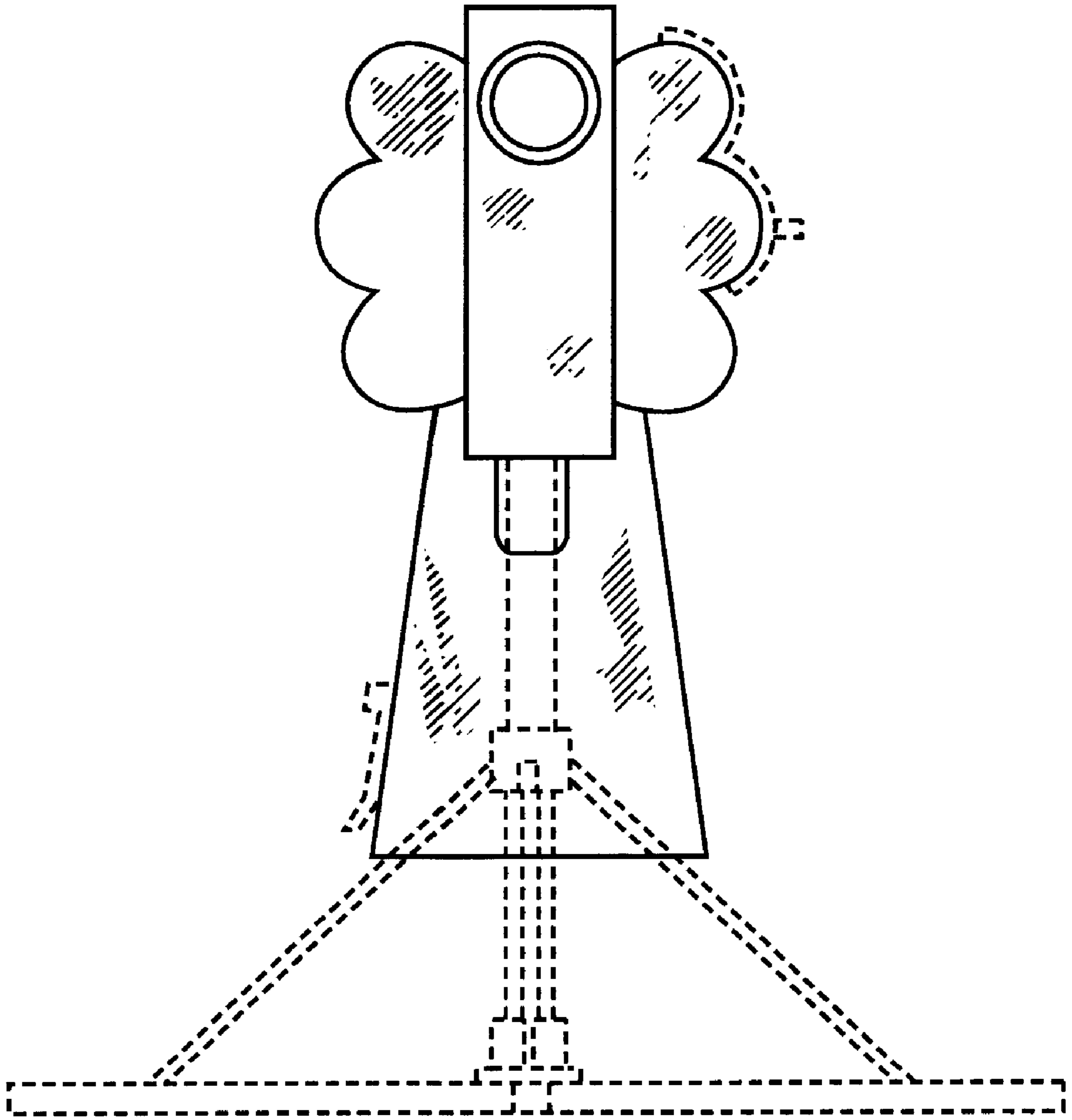


FIG. 5

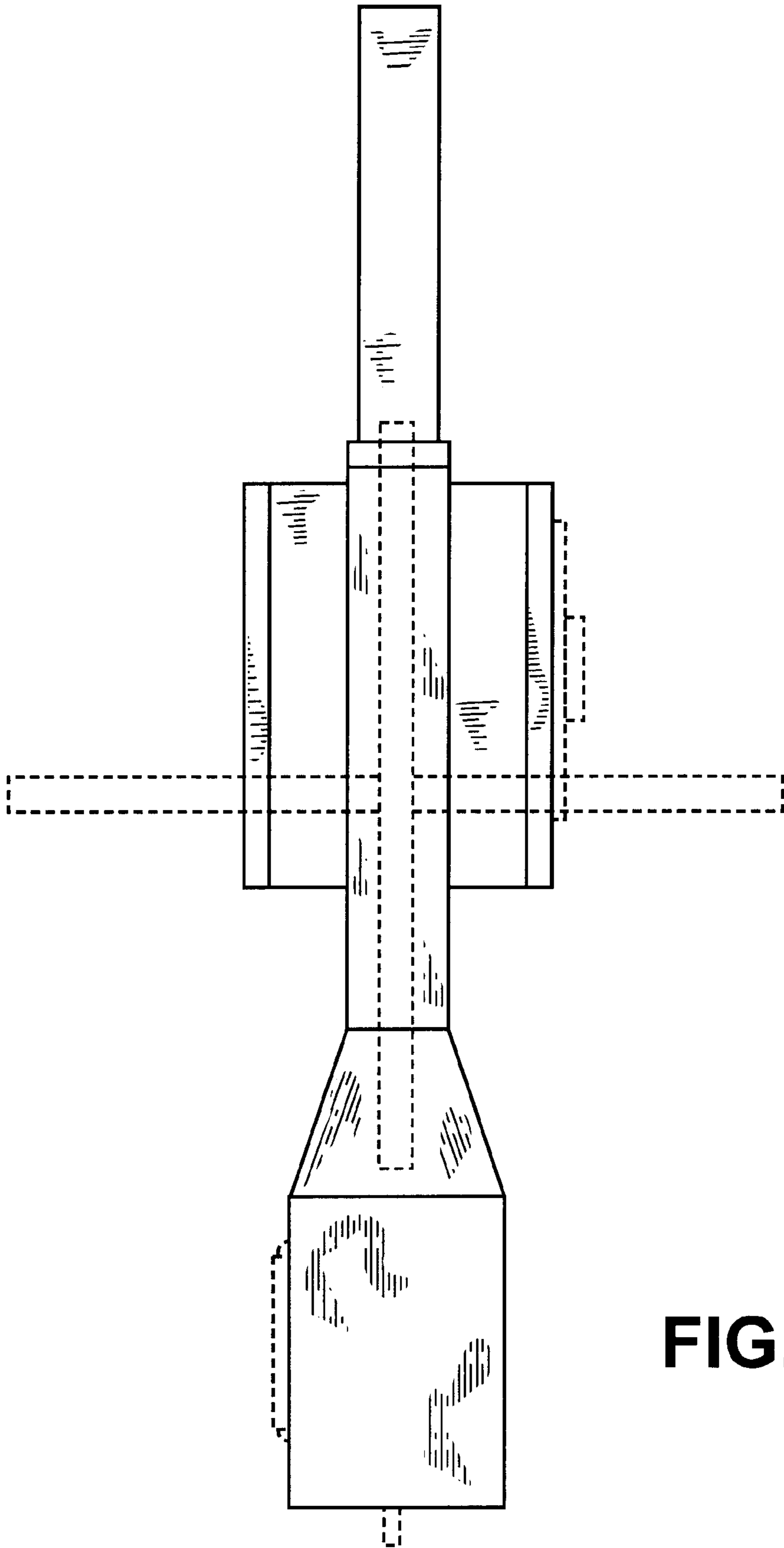


FIG. 6