



US00D479663S

(12) **United States Design Patent**
Snell

(10) **Patent No.:** **US D479,663 S**

(45) **Date of Patent:** **** Sep. 16, 2003**

(54) **SUCTION BASKET**

(75) **Inventor:** **Russell Benton Snell**, Bentleyville, OH (US)

(73) **Assignee:** **InterDesign, Inc.**, Solon, OH (US)

(**) **Term:** **14 Years**

(21) **Appl. No.:** **29/169,651**

(22) **Filed:** **Oct. 24, 2002**

(51) **LOC (7) Cl.** **23-02**

(52) **U.S. Cl.** **D6/525**

(58) **Field of Search** D6/524, 525, 566,
D6/567; 206/77.1, 207, 557; 211/10, 13.1,
71.01, 86.01, 88.01, 90.1, 126.1, 133.5,
134, 181.1, 87.01

(56) **References Cited**

U.S. PATENT DOCUMENTS

D322,002 S	*	12/1991	Emery	D6/566
D362,780 S		10/1995	Hampshire		
D396,770 S	*	8/1998	Hoernig	D6/566
D412,080 S	*	7/1999	Emery et al.	D6/566 X
5,971,192 A		10/1999	Immerman et al.		
D444,012 S	*	6/2001	Ferrer Beltran	D6/566 X
D449,478 S		10/2001	Snell		
D449,479 S		10/2001	Snell		
D449,480 S		10/2001	Snell		
D449,481 S		10/2001	Snell		

D449,752 S		10/2001	Snell		
D450,213 S	*	11/2001	Snell	D6/566
D464,516 S		10/2002	Snell		

* cited by examiner

Primary Examiner—Brian N. Vinson

(74) *Attorney, Agent, or Firm*—D. Peter Hochberg; Katherine R. Vieyra; Sean Mellino

(57) **CLAIM**

The ornamental design for a suction basket, as shown and described.

DESCRIPTION

FIG. 1 is a perspective view of the suction basket according to the invention;

FIG. 2 is a top view of the suction basket as shown in FIG. 1;

FIG. 3 is a front view of the suction basket as shown in FIG. 1;

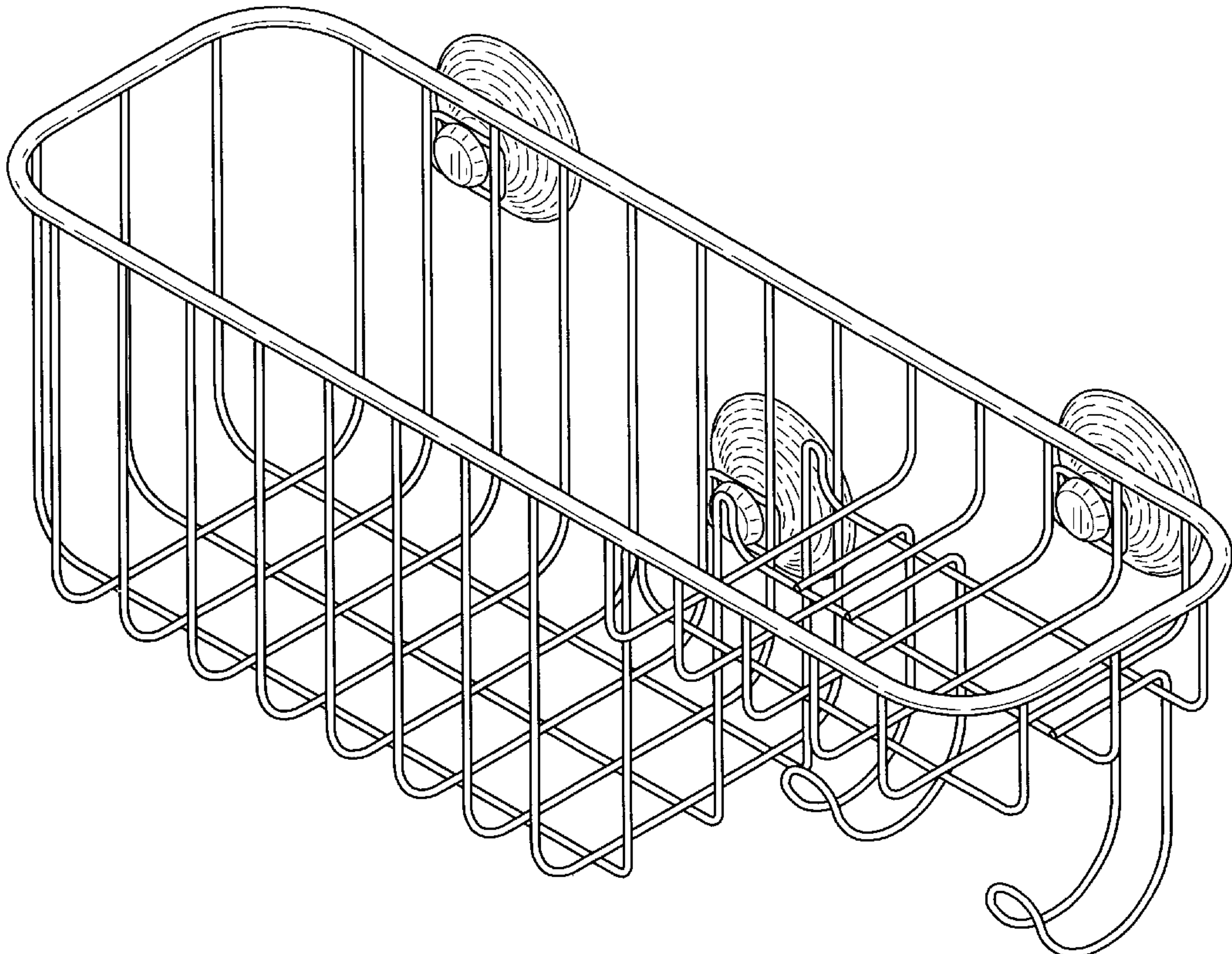
FIG. 4 is a side view of the suction basket as shown in FIG. 1;

FIG. 5 is a rear view of the suction basket as shown in FIG. 1;

FIG. 6 is a side view of the suction basket as shown in FIG. 1, as shown from the side opposite of that shown in FIG. 4; and,

FIG. 7 is a bottom view of the suction basket as shown in FIG. 1.

1 Claim, 3 Drawing Sheets



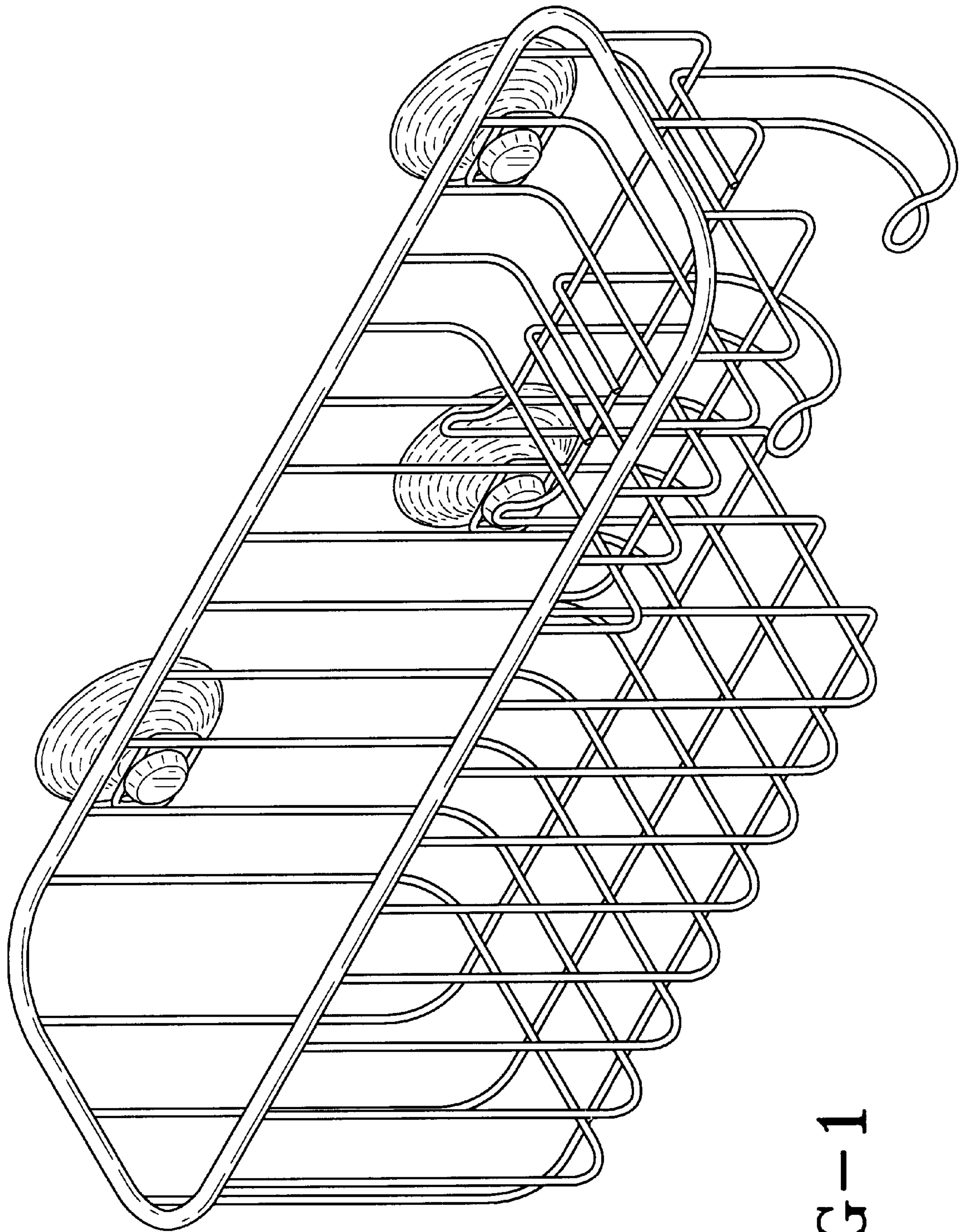


FIG-1

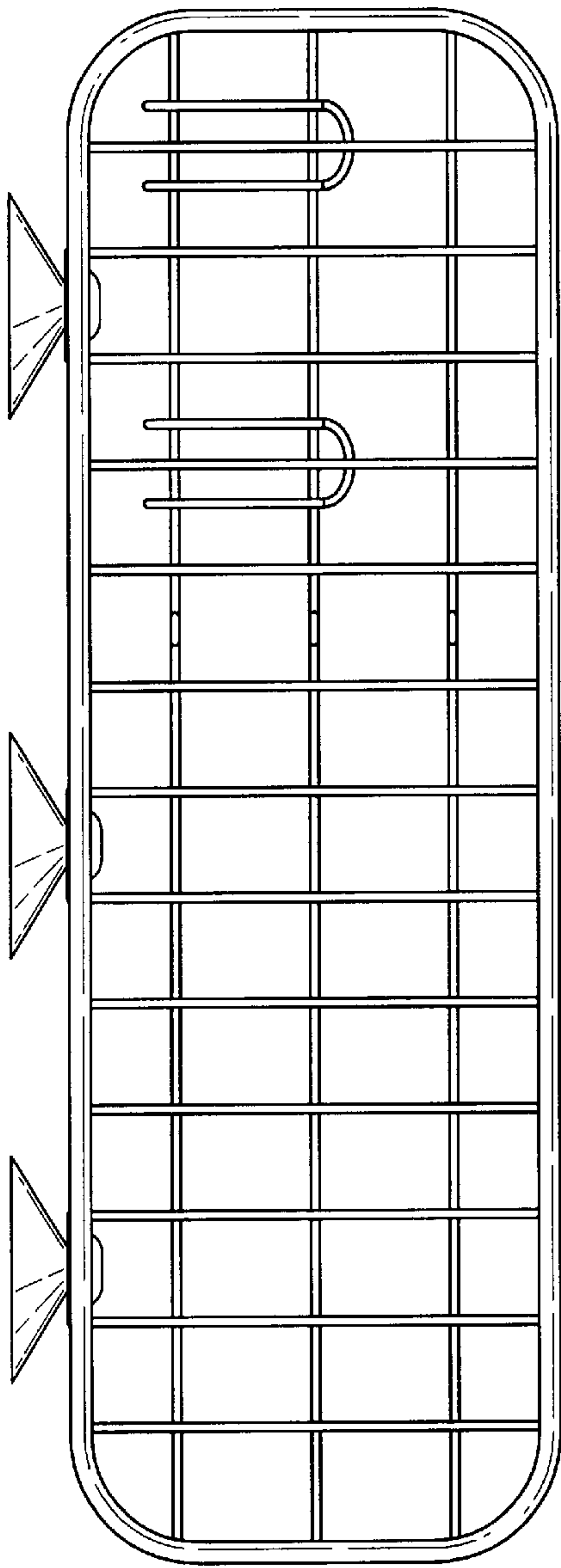


FIG-2

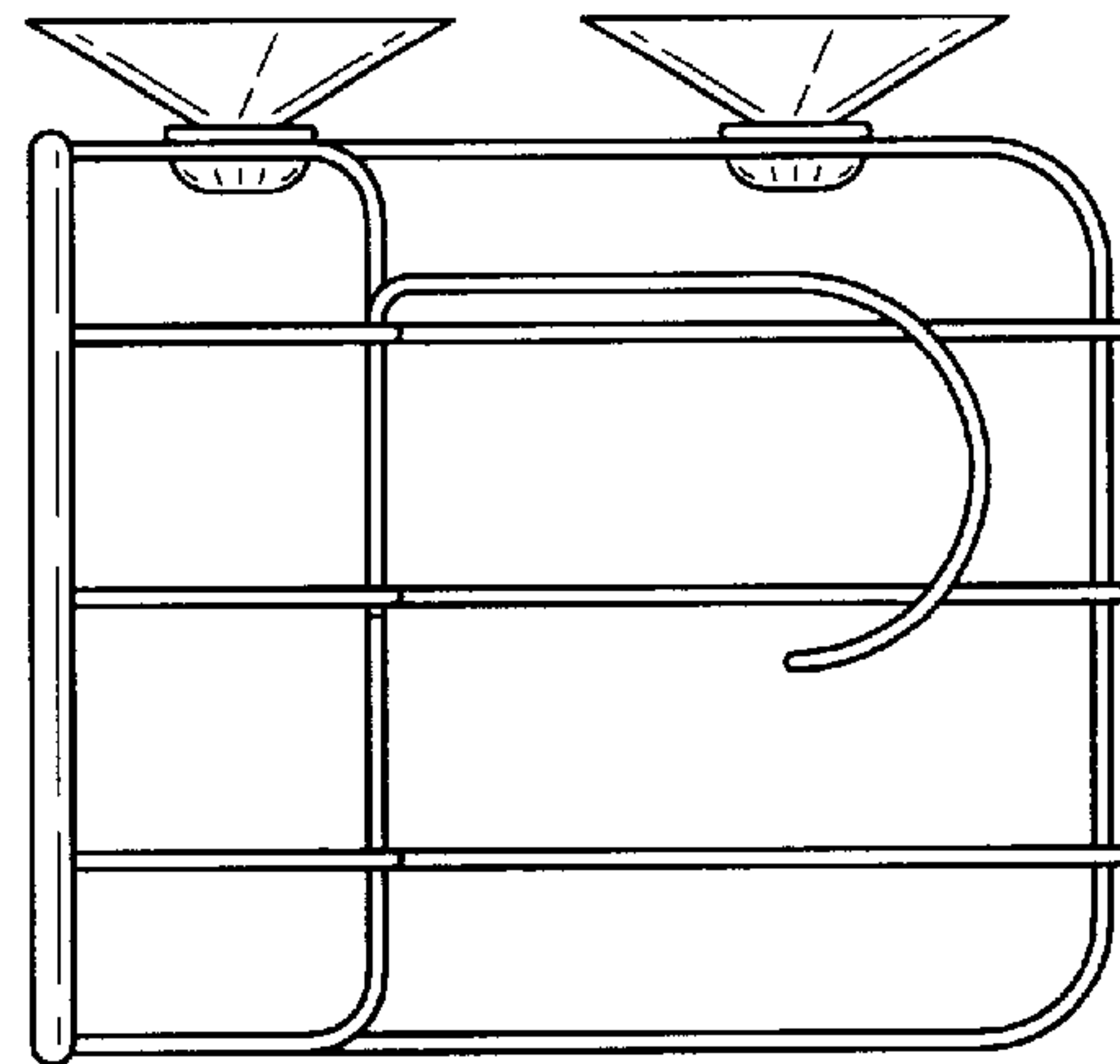


FIG-4

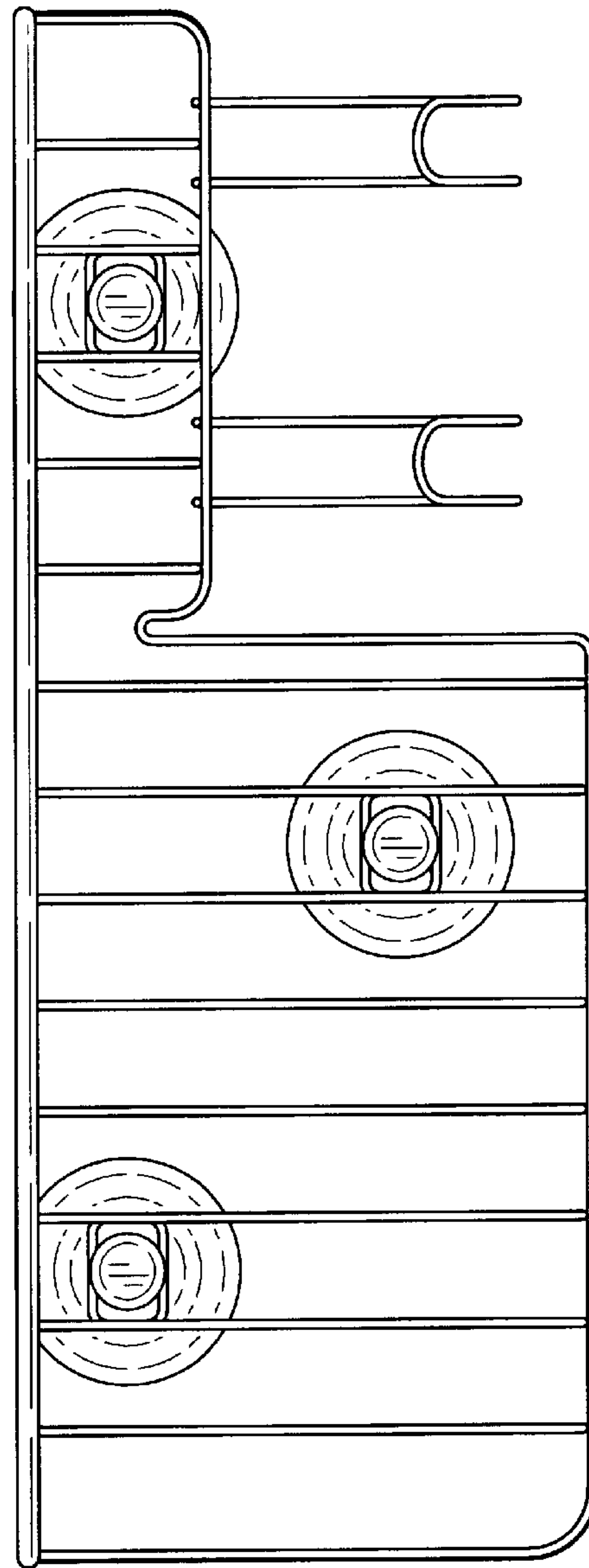


FIG-3

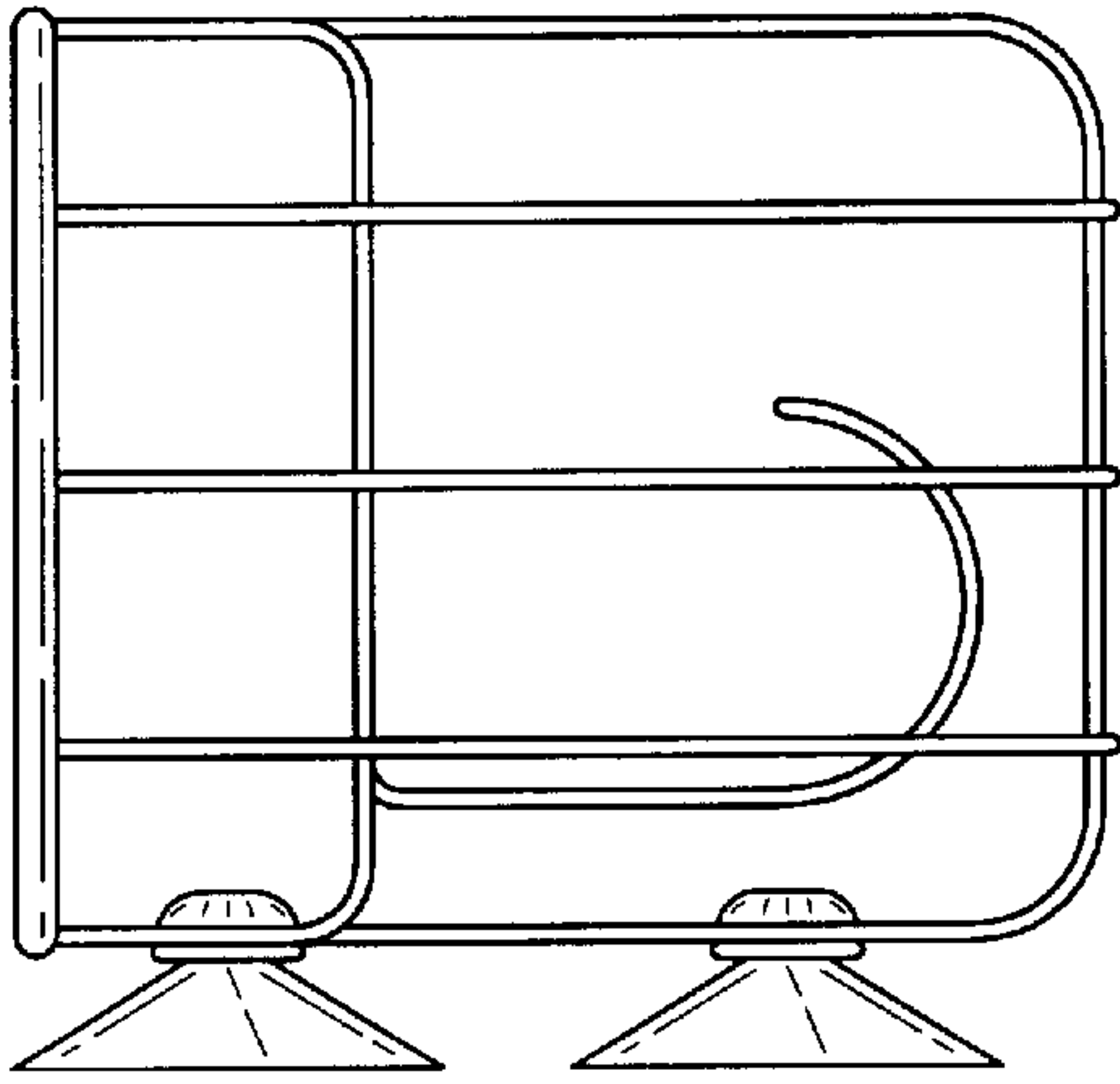


FIG-6

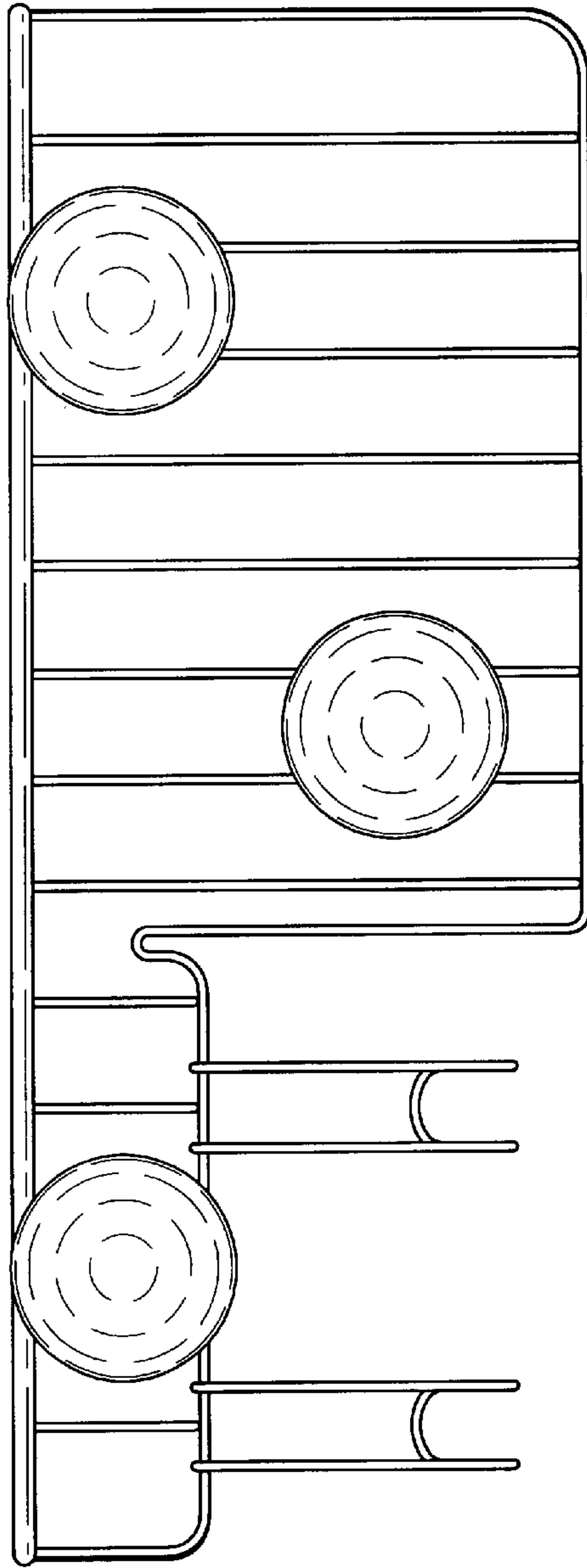


FIG-5

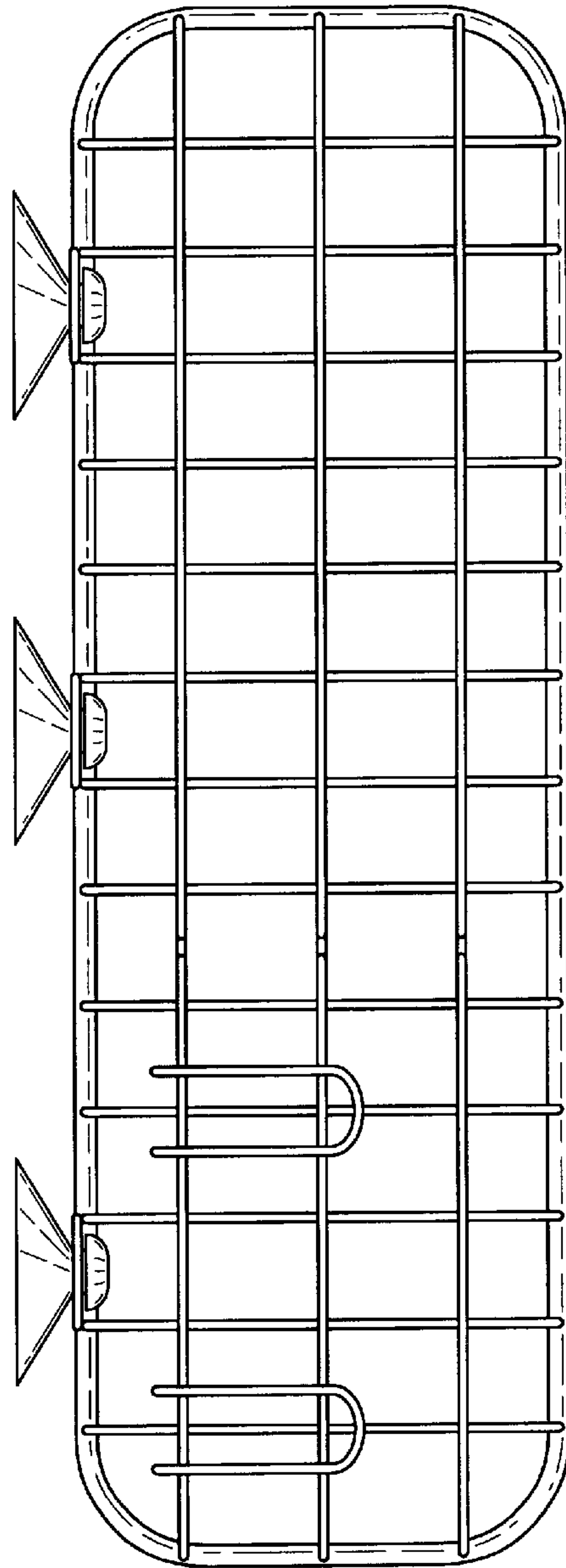


FIG-7