



US00D479662S

(12) **United States Design Patent**
Lenger

(10) **Patent No.:** **US D479,662 S**

(45) **Date of Patent:** **** Sep. 16, 2003**

- (54) **EDGE OF HEADBOARD**
- (75) Inventor: **Sidney A. Lenger**, Kernersville, NC (US)
- (73) Assignee: **Schottenstein Stores Corporation**, Columbus, OH (US)
- (**) Term: **14 Years**
- (21) Appl. No.: **29/177,990**
- (22) Filed: **Mar. 19, 2003**

D224,109 S	*	7/1972	Burandt	D6/505
D331,502 S		12/1992	White	D6/389
D374,133 S		10/1996	Paus	D6/393
D399,365 S	*	10/1998	Estape et al.	D6/393
D450,946 S	*	11/2001	Vaaler	D6/393
D460,634 S		7/2002	Kreiss	D6/393

* cited by examiner

Primary Examiner—Janice E. Seeger
(74) *Attorney, Agent, or Firm*—Wood, Herron & Evans, L.L.P.

Related U.S. Application Data

- (62) Division of application No. 29/161,833, filed on Jun. 5, 2002.
- (51) **LOC (7) Cl.** **06-06**
- (52) **U.S. Cl.** **D6/505**
- (58) **Field of Search** D6/382, 389, 393–395, D6/505–508, 503, 491; 5/53.1, 279.1, 280, 281, 907

References Cited

U.S. PATENT DOCUMENTS

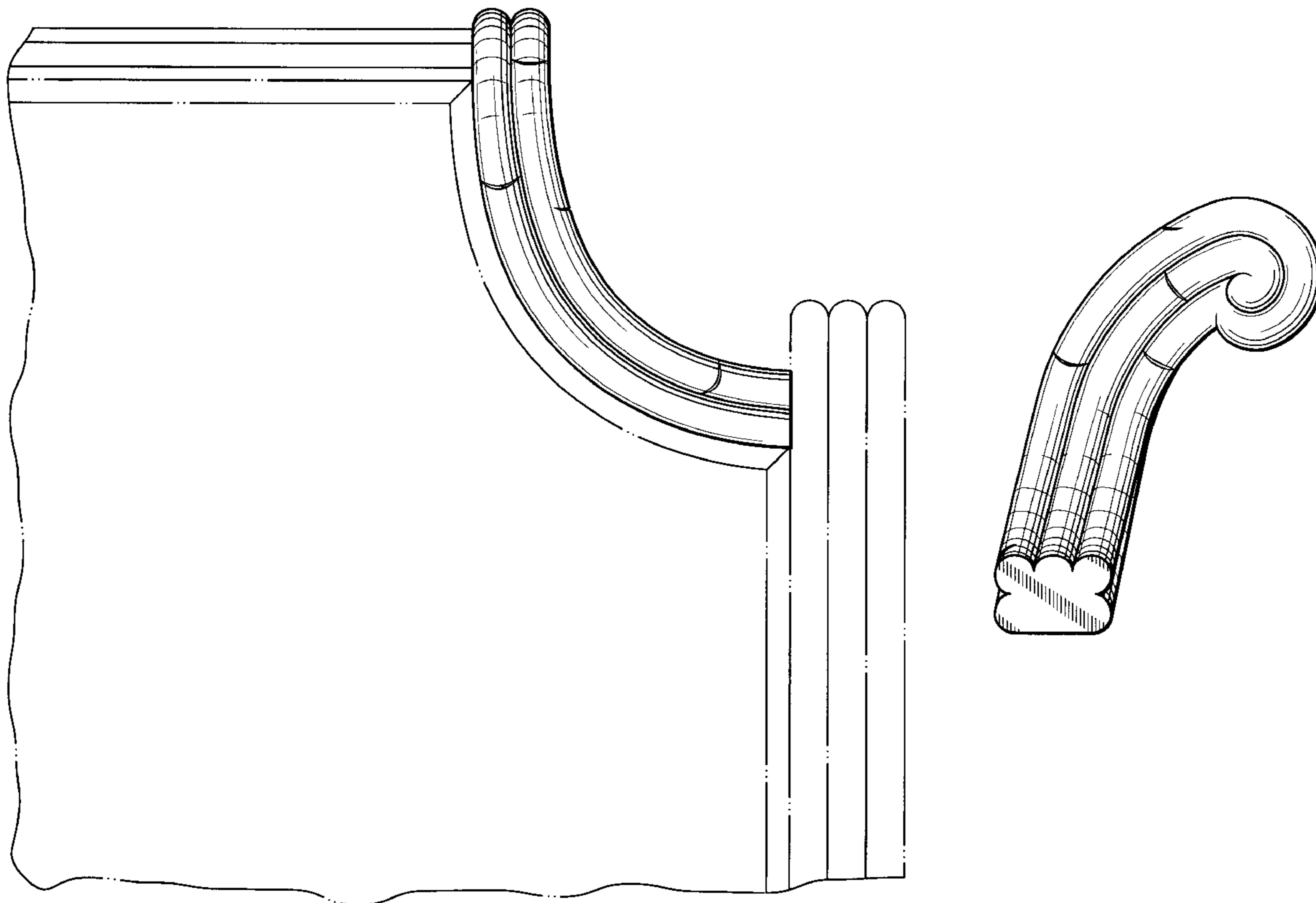
D26,597 S	2/1897	Scott	D6/393
D82,620 S	* 11/1930	McKay	D6/505
2,508,506 A	5/1950	Fridolph	5/279.1

(57) **CLAIM**
The ornamental design for edge of headboard, as shown and described.

DESCRIPTION

FIG. 1 is a front elevational view of a first embodiment of edge of headboard showing my new design; FIG. 2 is a left-side elevational view thereof; FIG. 3 is a rear elevational view thereof; FIG. 4 is a right-side elevational view thereof; FIG. 5 is a top plan view thereof; and, FIG. 6 is a bottom plan view thereof. The broken lines shown in the figures for edge of headboard are for purposes of illustration and form no part of the claimed design.

1 Claim, 2 Drawing Sheets



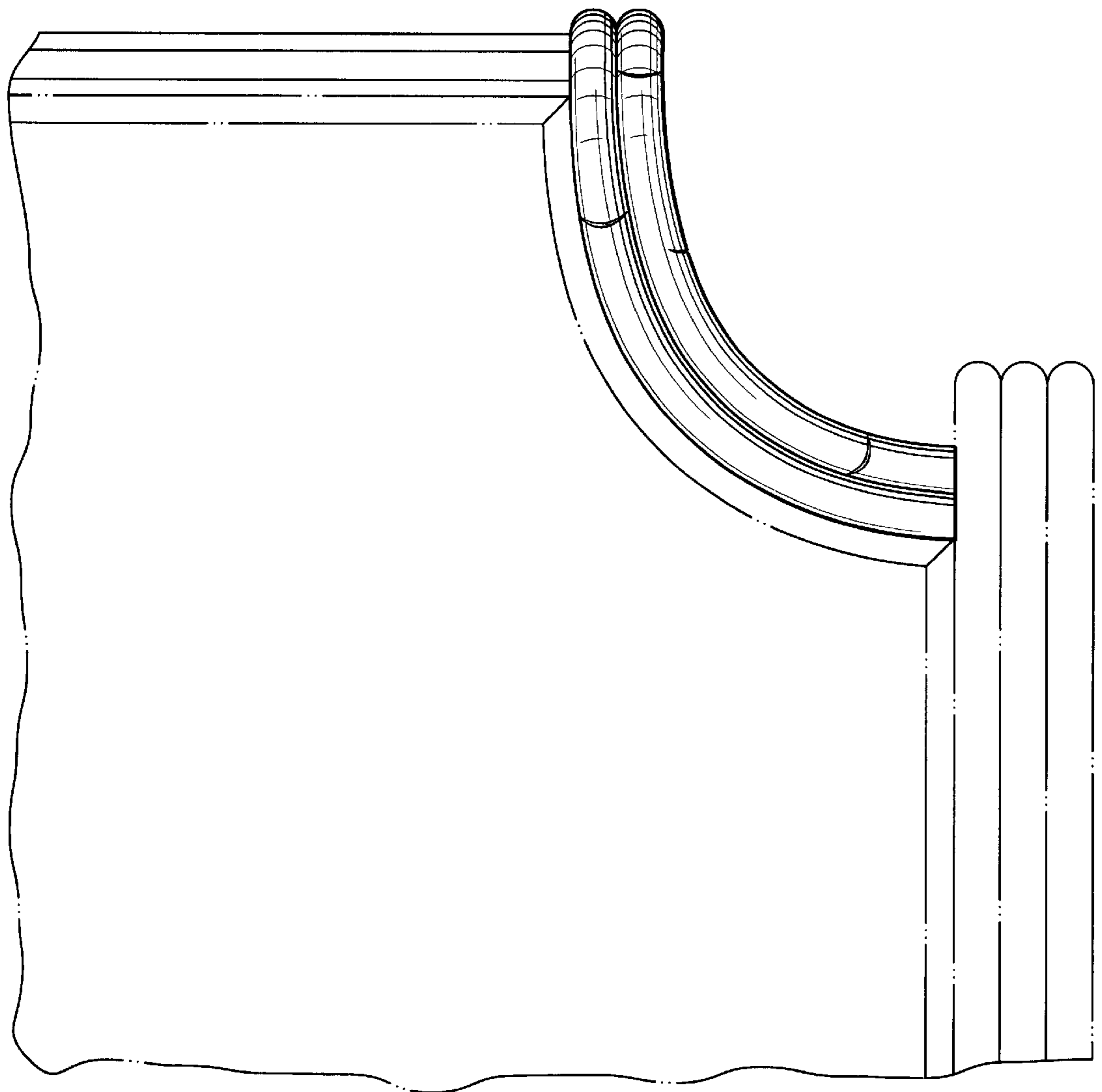


FIG. 1

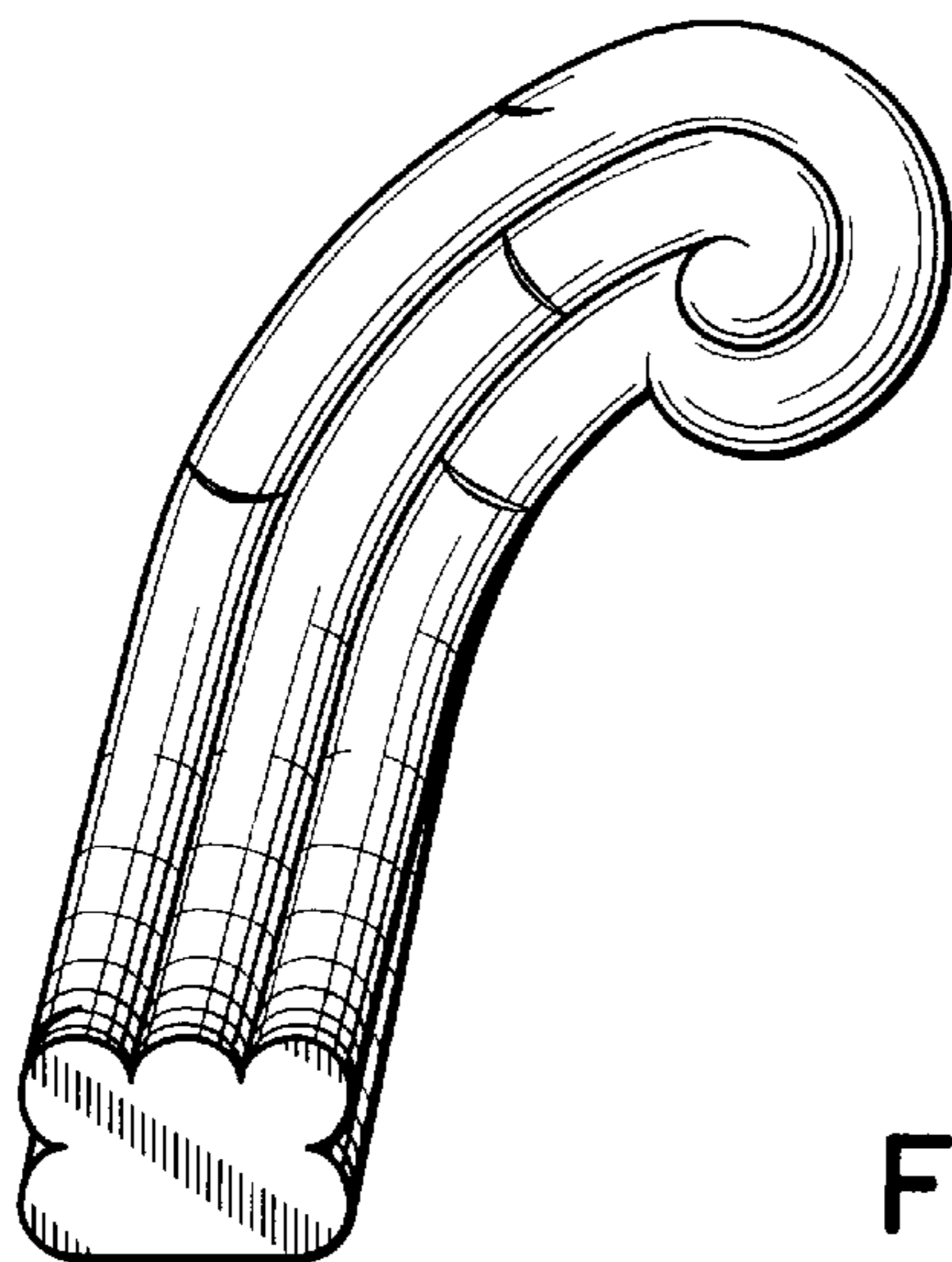


FIG. 2

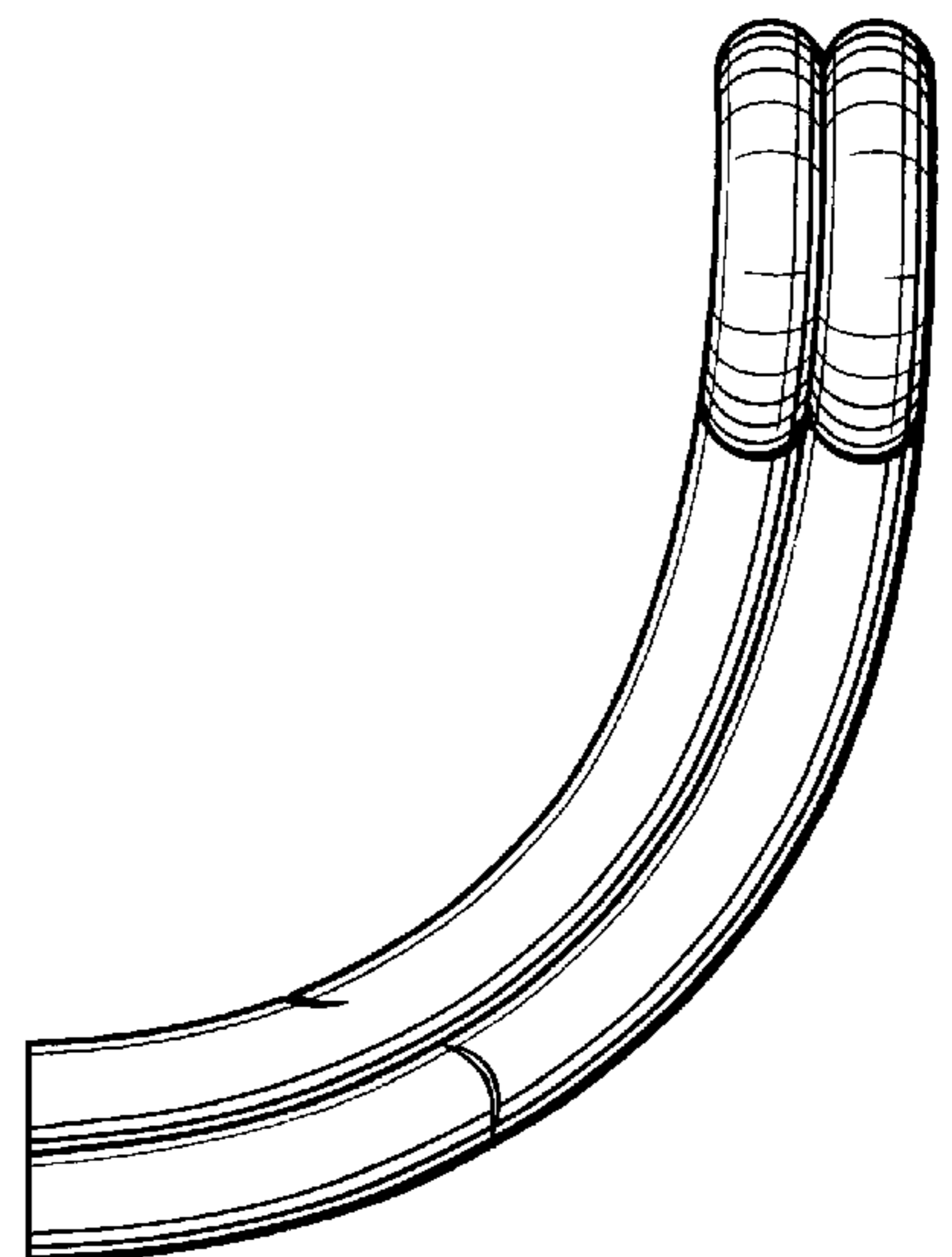


FIG. 3

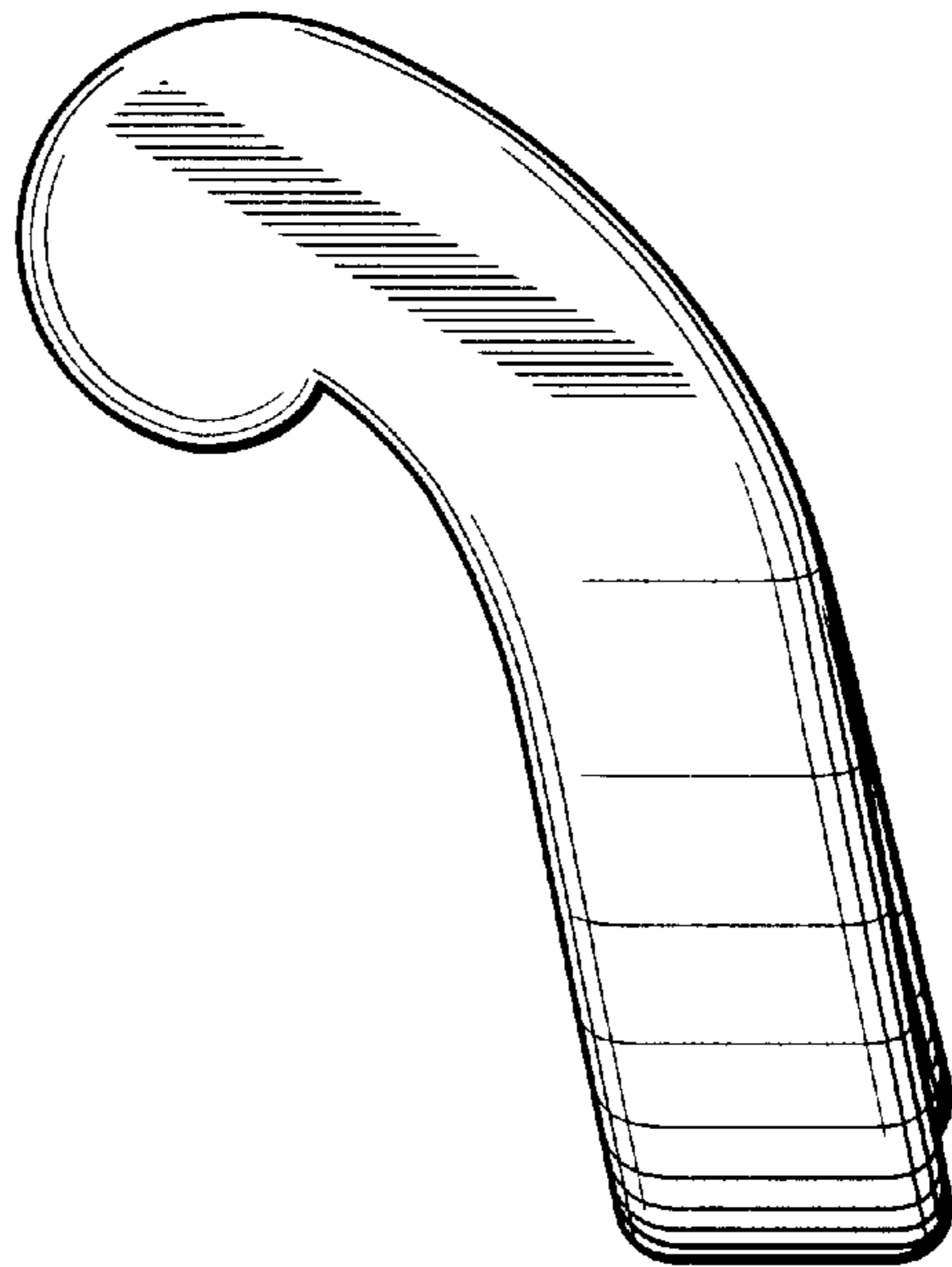


FIG. 4

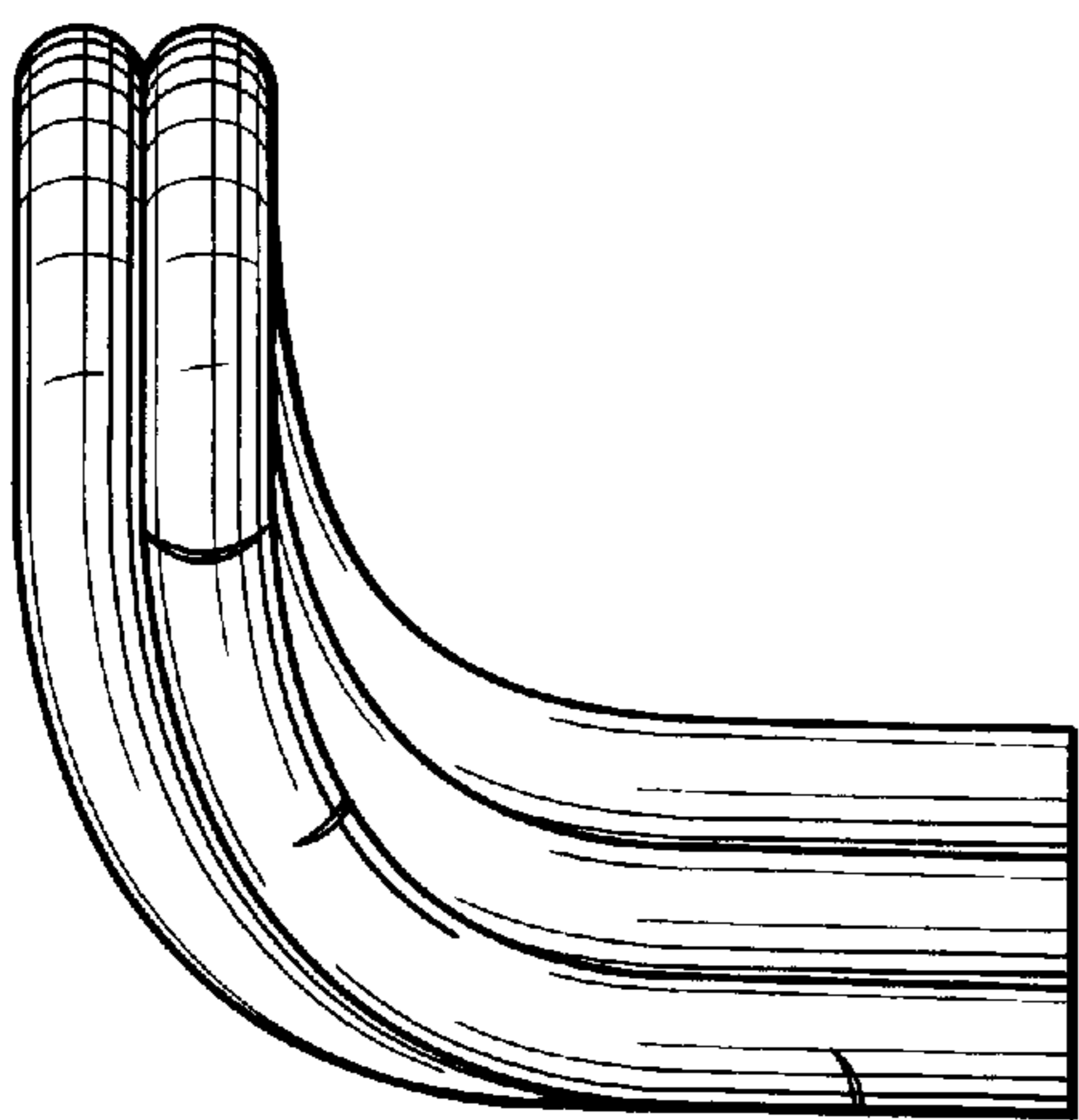


FIG. 5

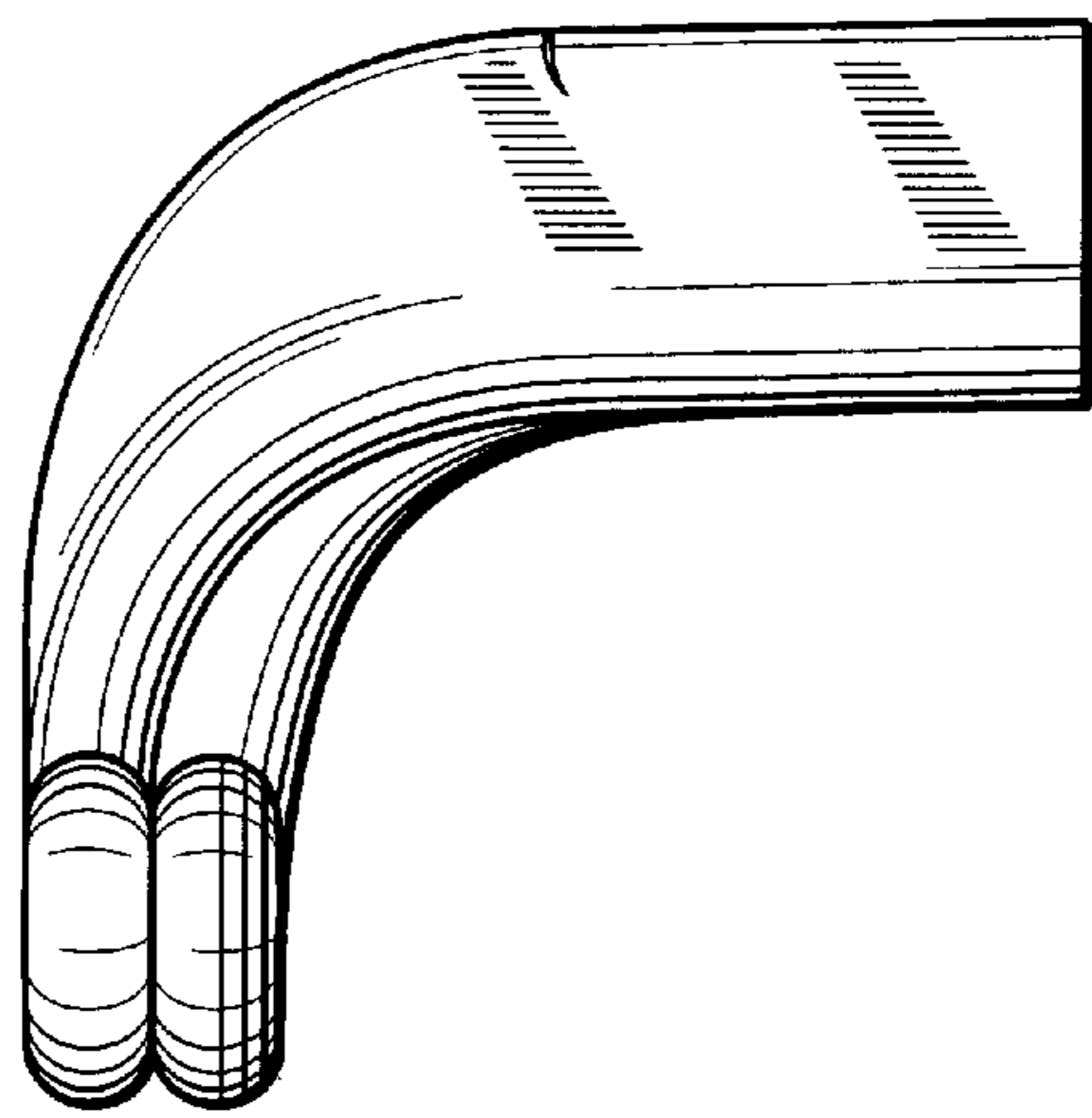


FIG. 6