



US00D479661S

(12) **United States Design Patent**
Lenger

(10) **Patent No.:** **US D479,661 S**

(45) **Date of Patent:** **** Sep. 16, 2003**

(54) **PORTION OF A TOP RAIL, SIDE AND EDGE OF A HEADBOARD**

(75) **Inventor:** **Sidney A. Lenger**, Kernersville, NC (US)

(73) **Assignee:** **Schottenstein Stores Corporation**, Columbus, OH (US)

(**) **Term:** **14 Years**

(21) **Appl. No.:** **29/177,976**

(22) **Filed:** **Mar. 19, 2003**

Related U.S. Application Data

(62) Division of application No. 29/161,833, filed on Jun. 5, 2002.

(51) **LOC (7) Cl.** **06-06**

(52) **U.S. Cl.** **D6/505**

(58) **Field of Search** D6/382, 389, 393-395, D6/505-508, 503, 491; 5/53.1, 279.1, 280, 281, 907

(56) **References Cited**

U.S. PATENT DOCUMENTS

D26,597 S	2/1897	Scott	D6/393
2,508,506 A	5/1950	Fridolph	5/279.1
D331,502 S	12/1992	White	D6/389

D342,394 S	*	12/1993	Black	D6/393
D370,793 S	*	6/1996	Keller	D6/393
D374,133 S		10/1996	Paus	D6/393
D399,365 S	*	10/1998	Estape et al.	D6/393
D410,160 S	*	5/1999	Draheim et al.	D6/505
D450,946 S		11/2001	Vaaler	D6/393
D460,634 S		7/2002	Kreiss	D6/393
D470,330 S	*	2/2003	Vaaler	D6/393

* cited by examiner

Primary Examiner—Janice E. Seeger

(74) *Attorney, Agent, or Firm*—Wood, Herron & Evans, L.L.P.

(57) **CLAIM**

The ornamental design for a portion of a top rail, side and edge of a headboard, as shown and described.

DESCRIPTION

FIG. 1 is a portion of a top rail, side and edge of a headboard, showing my new design.

FIG. 2 is a left-side elevational view thereof;

FIG. 3 is a rear elevational view thereof;

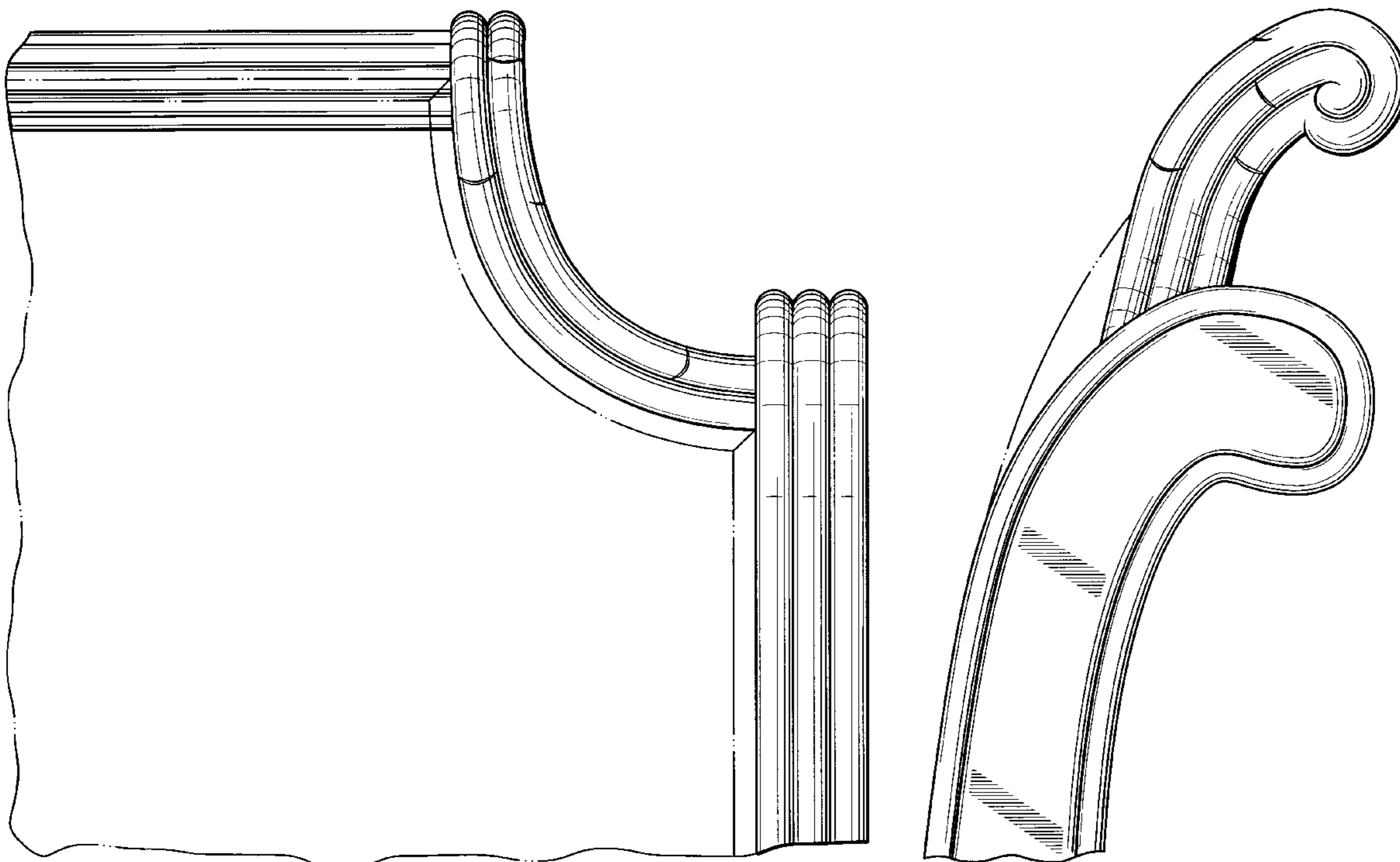
FIG. 4 is a right-side elevational view thereof;

FIG. 5 is a top plan view thereof; and,

FIG. 6 is a bottom plan view thereof.

The broken lines shown in the figures for portion of a top rail, side and edge of a headboard are for purposes of illustration and form no part of the claimed design.

1 Claim, 3 Drawing Sheets



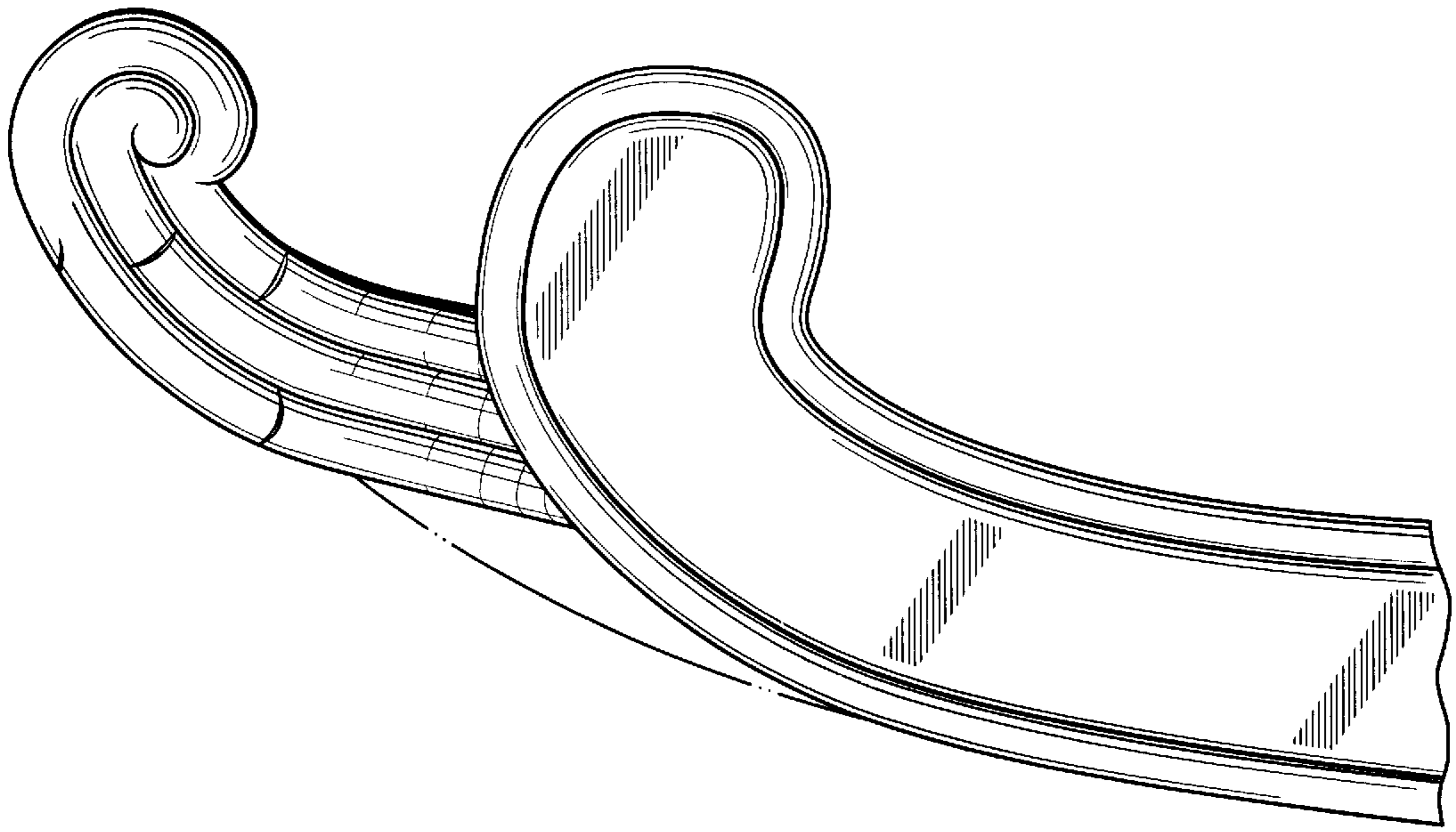


FIG. 2

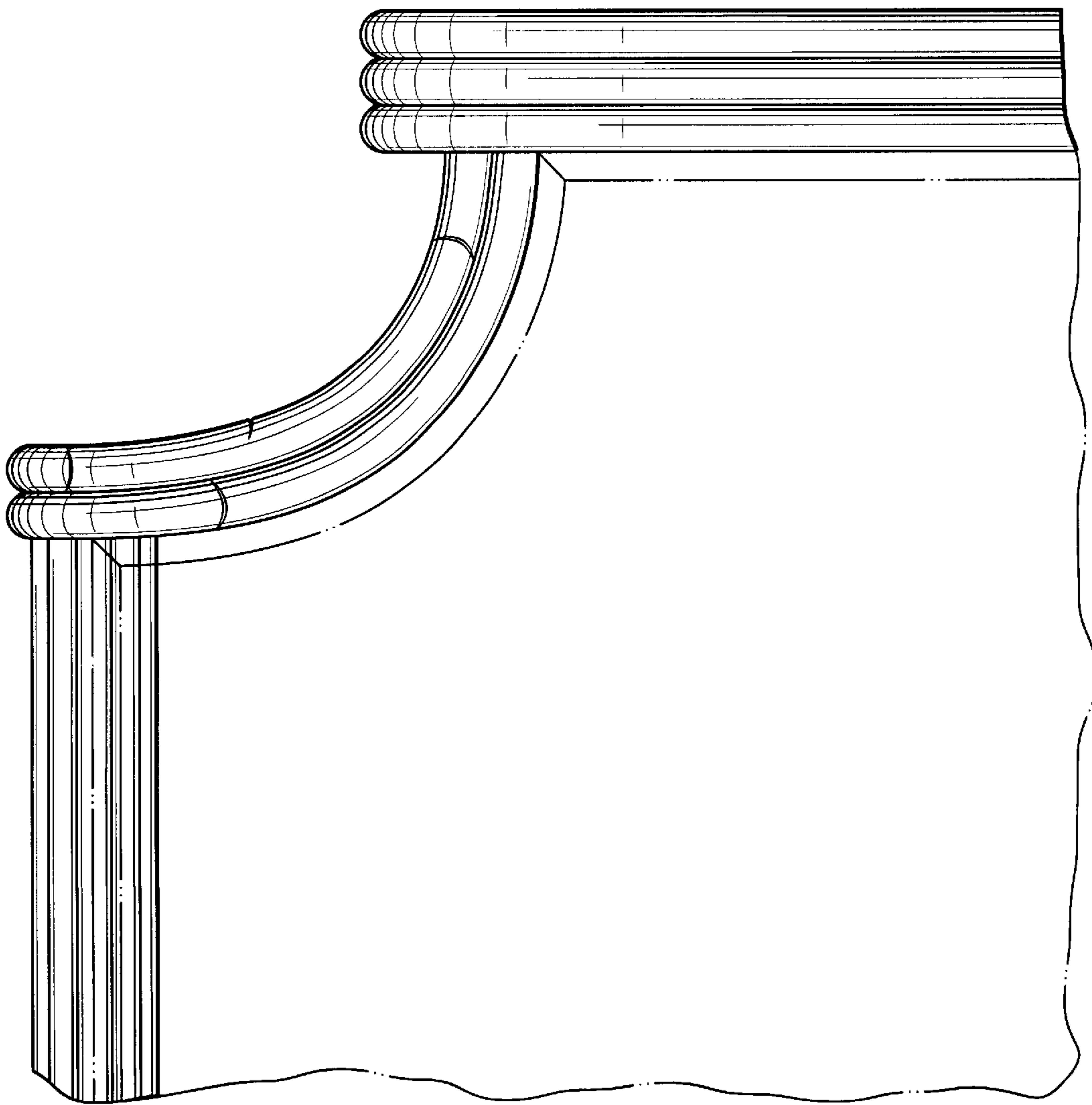


FIG. 1

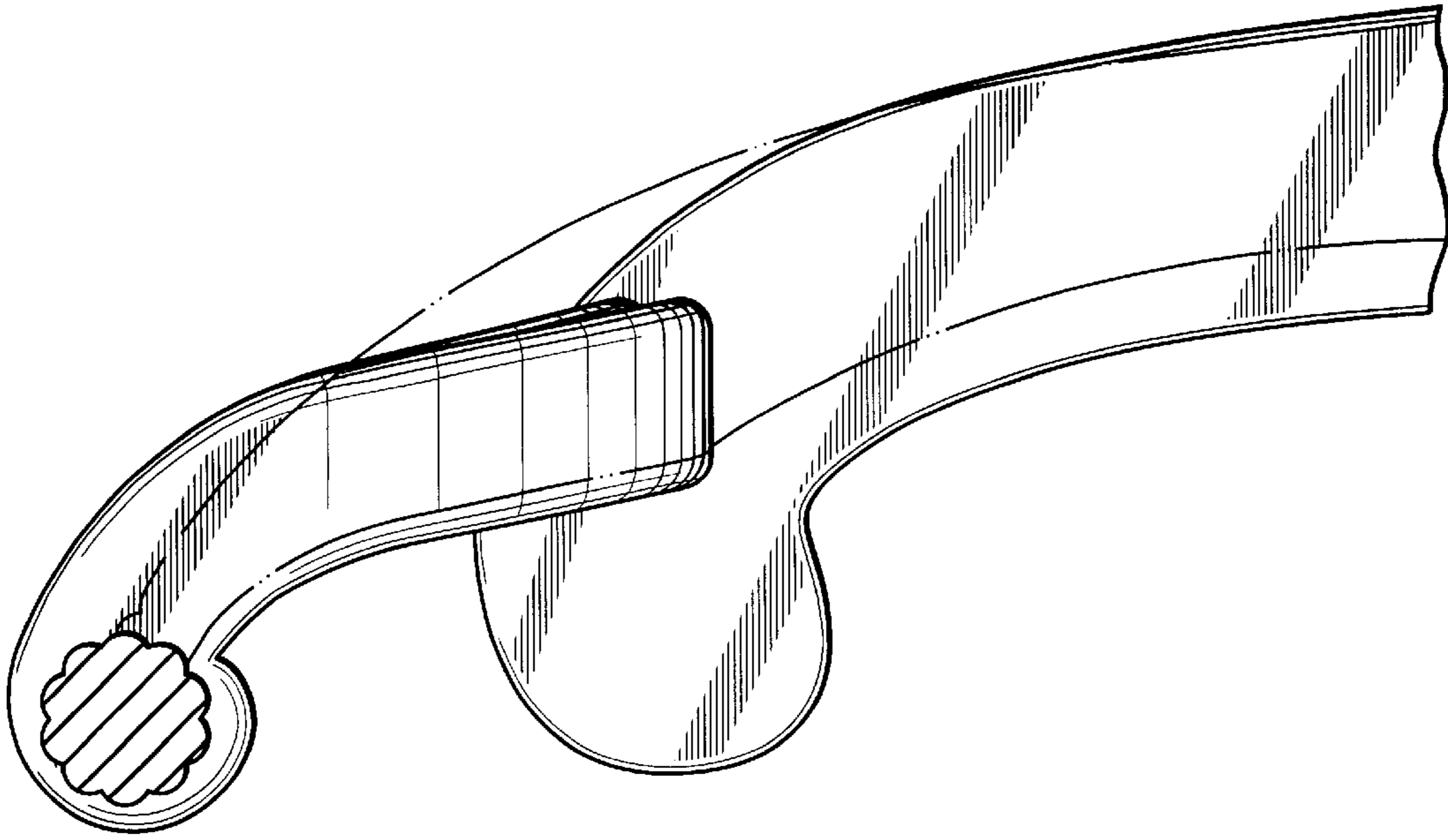


FIG. 4

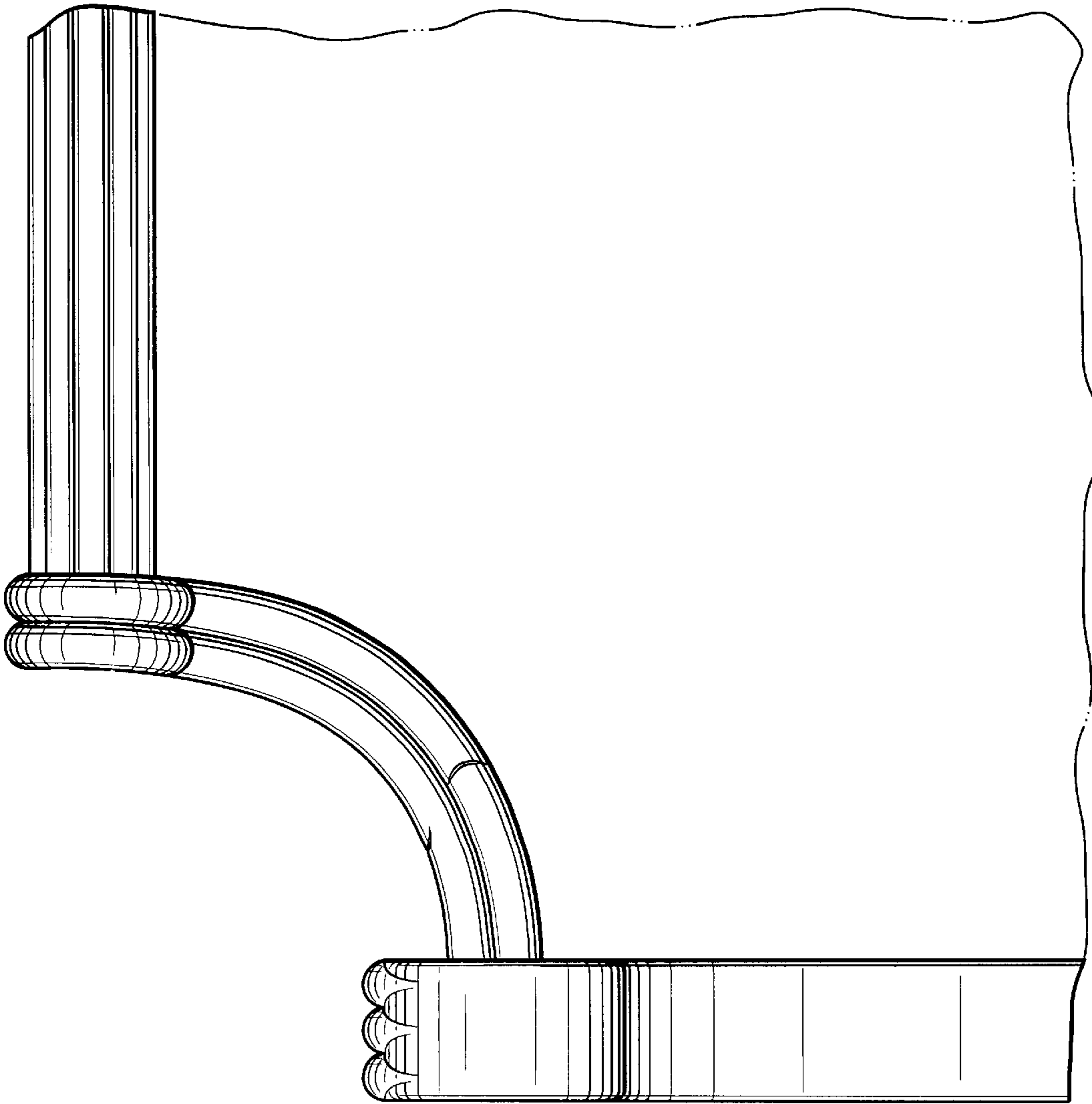


FIG. 3

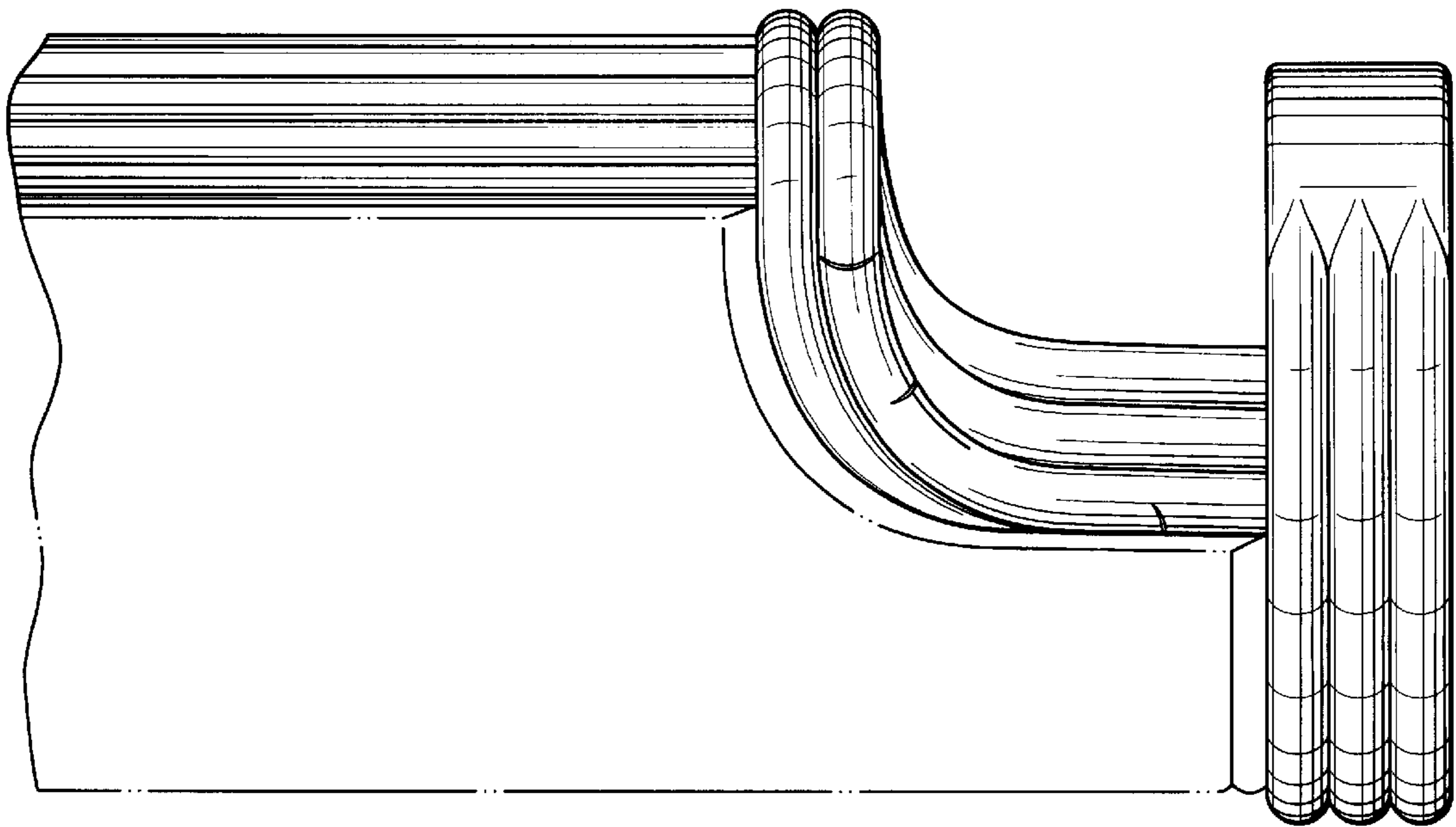


FIG. 5

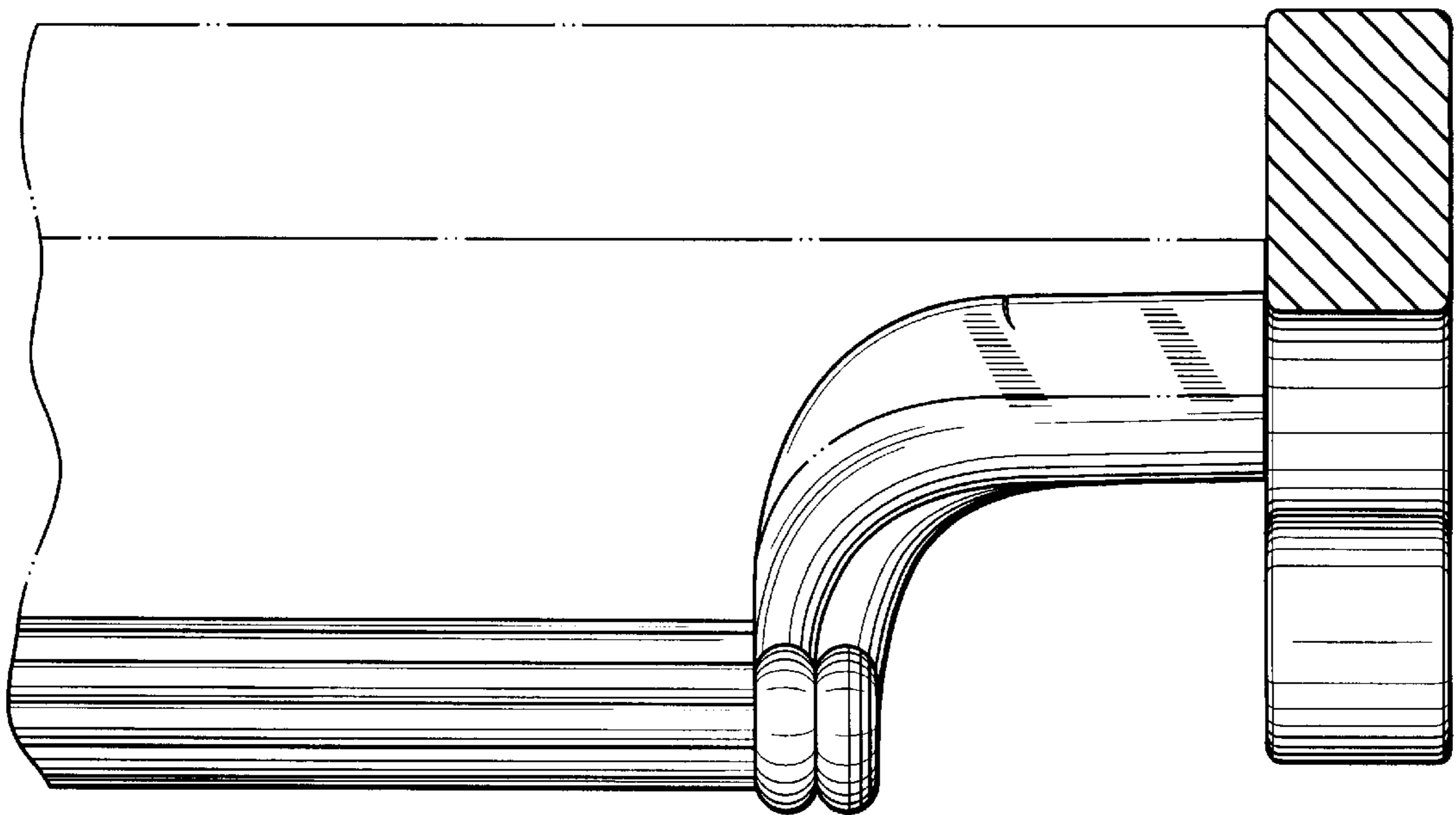


FIG. 6