



US00D479660S

(12) **United States Design Patent**
Vinson

(10) **Patent No.:** **US D479,660 S**

(45) **Date of Patent:** **** Sep. 16, 2003**

(54) **ORGANIZER**

(75) Inventor: **Daniel S. Vinson**, Niceville, FL (US)

(73) Assignee: **Blue Ridge International Products Company**, Freeport, FL (US)

(**) Term: **14 Years**

(21) Appl. No.: **29/161,346**

(22) Filed: **May 28, 2002**

(51) **LOC (7) Cl.** **06-04**

(52) **U.S. Cl.** **D6/476; D6/300; D6/301**

(58) **Field of Search** D6/449, 466, 467,
D6/468, 469, 476, 479, 300, 301, 309,
310; 211/13.1; 248/176.1; 40/700, 725,
727, 720

(56) **References Cited**

U.S. PATENT DOCUMENTS

D140,181 S	*	1/1945	McGonigal	D6/300
D171,441 S	*	2/1954	Cornick	D6/476
D324,144 S	*	2/1992	Watrous	D6/476
D329,154 S	*	9/1992	Waterston	D6/476
D394,874 S	*	6/1998	Aguilar	D19/26
D396,959 S	*	8/1998	Wolff	D6/301
D457,734 S	*	5/2002	Chan	D6/301

* cited by examiner

Primary Examiner—Janice E. Seeger

(74) *Attorney, Agent, or Firm*—Carter Schnedler & Monteith, P.A.

(57) **CLAIM**

The ornamental design for an organizer, as shown and described.

DESCRIPTION

FIG. 1 is a three-dimensional view, generally from the top left front, of an organizer showing my new design;

FIG. 2 is a three-dimensional view, generally from the top left rear thereof, with a lower drawer shown in its pushed-in position;

FIG. 3 is a front elevational view thereof;

FIG. 4 is a left side elevational view thereof, the right side being a mirror image;

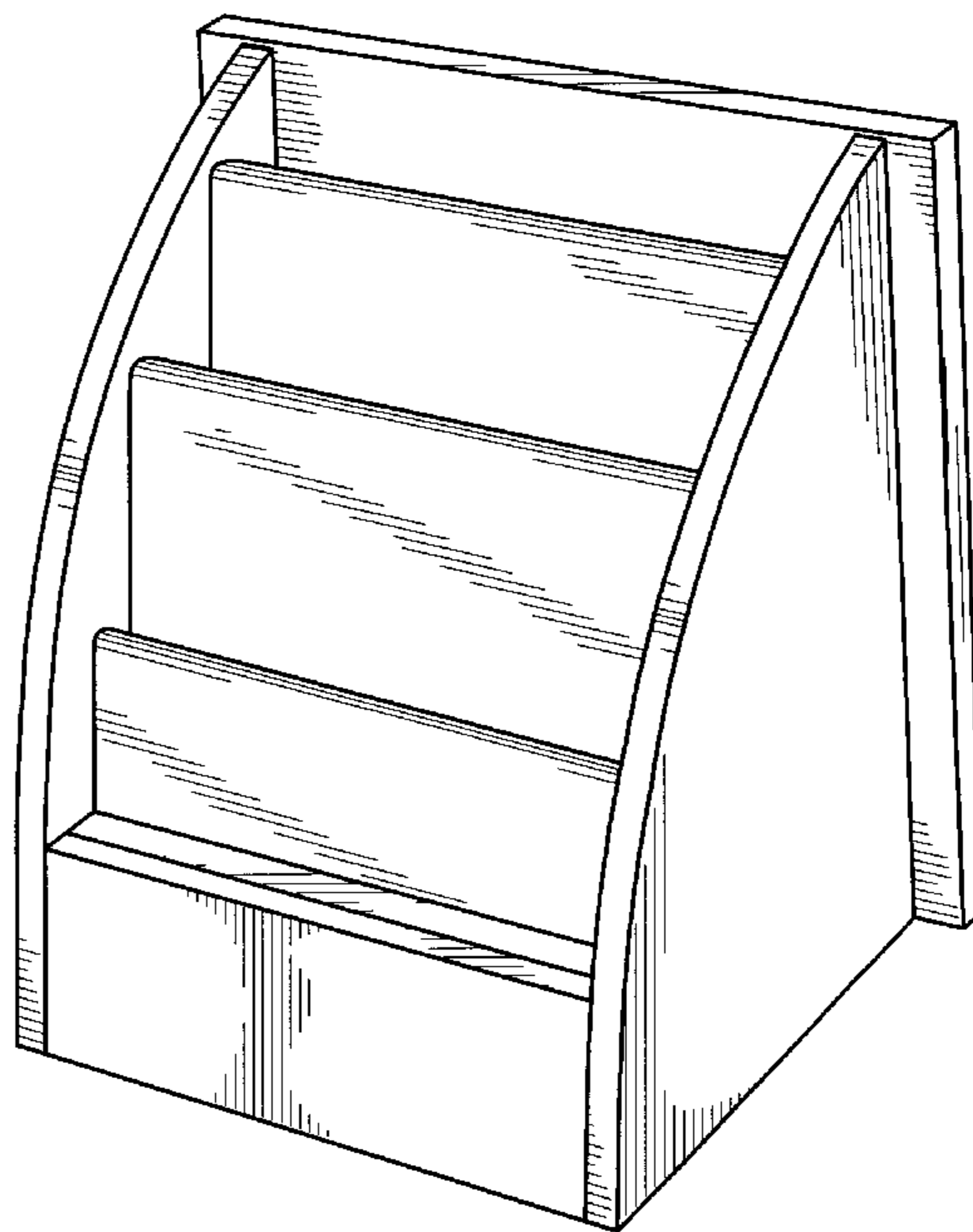
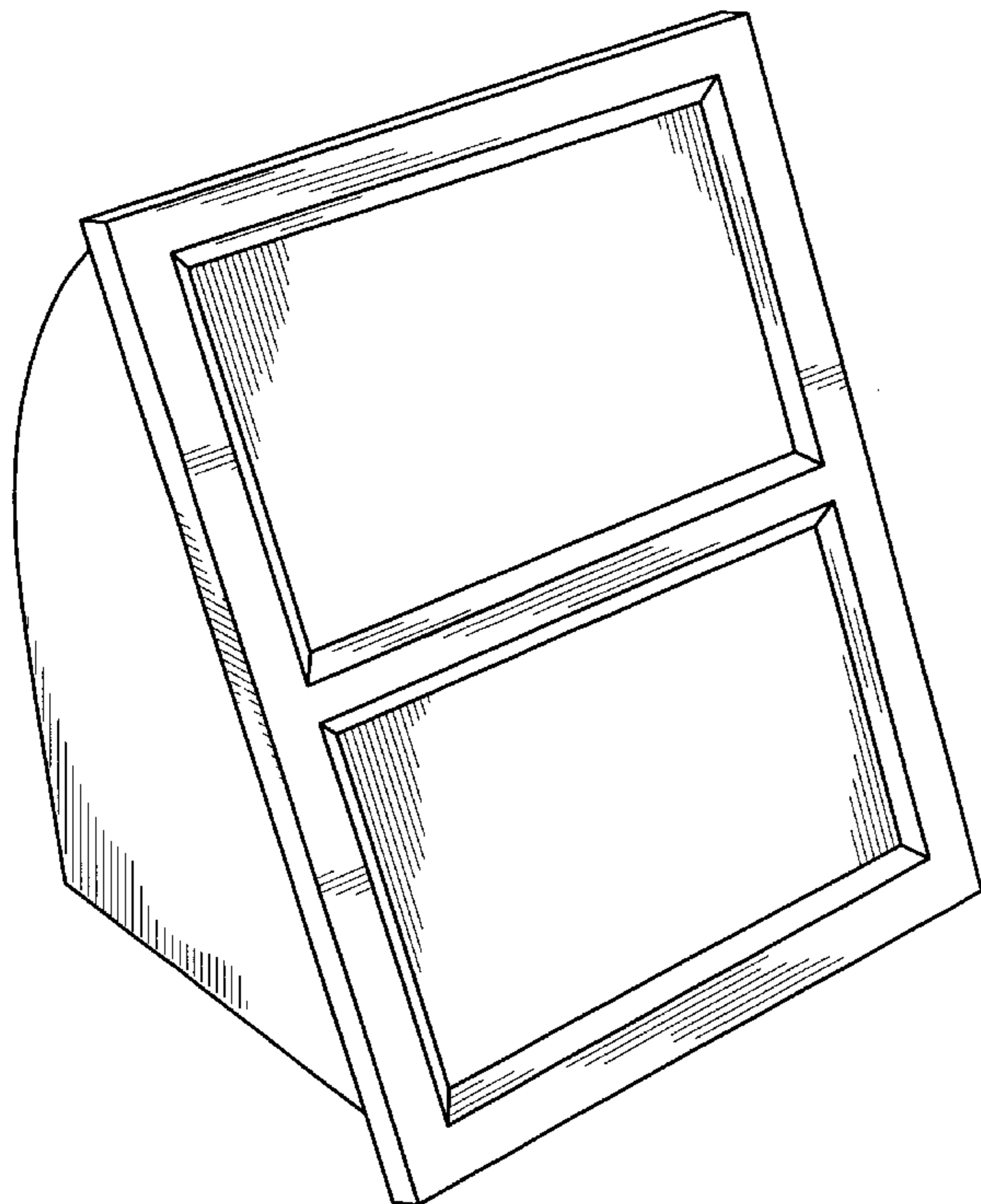
FIG. 5 is a rear elevational view thereof; the broken line drawings of representative articles contained within partitions of the organizer are environmental only, and form no part of the claimed design;

FIG. 6 is a top plan view thereof;

FIG. 7 is a bottom plan view thereof; and,

FIG. 8 is a three-dimensional view, generally from the top left front, of a second embodiment of my new design, the top left rear, the left side elevational view, the rear elevational view and the bottom plan views of the second embodiment being identical to FIGS. 2, 4, 5 and 7, respectively, and the right side being a mirror image of FIG. 4.

1 Claim, 4 Drawing Sheets



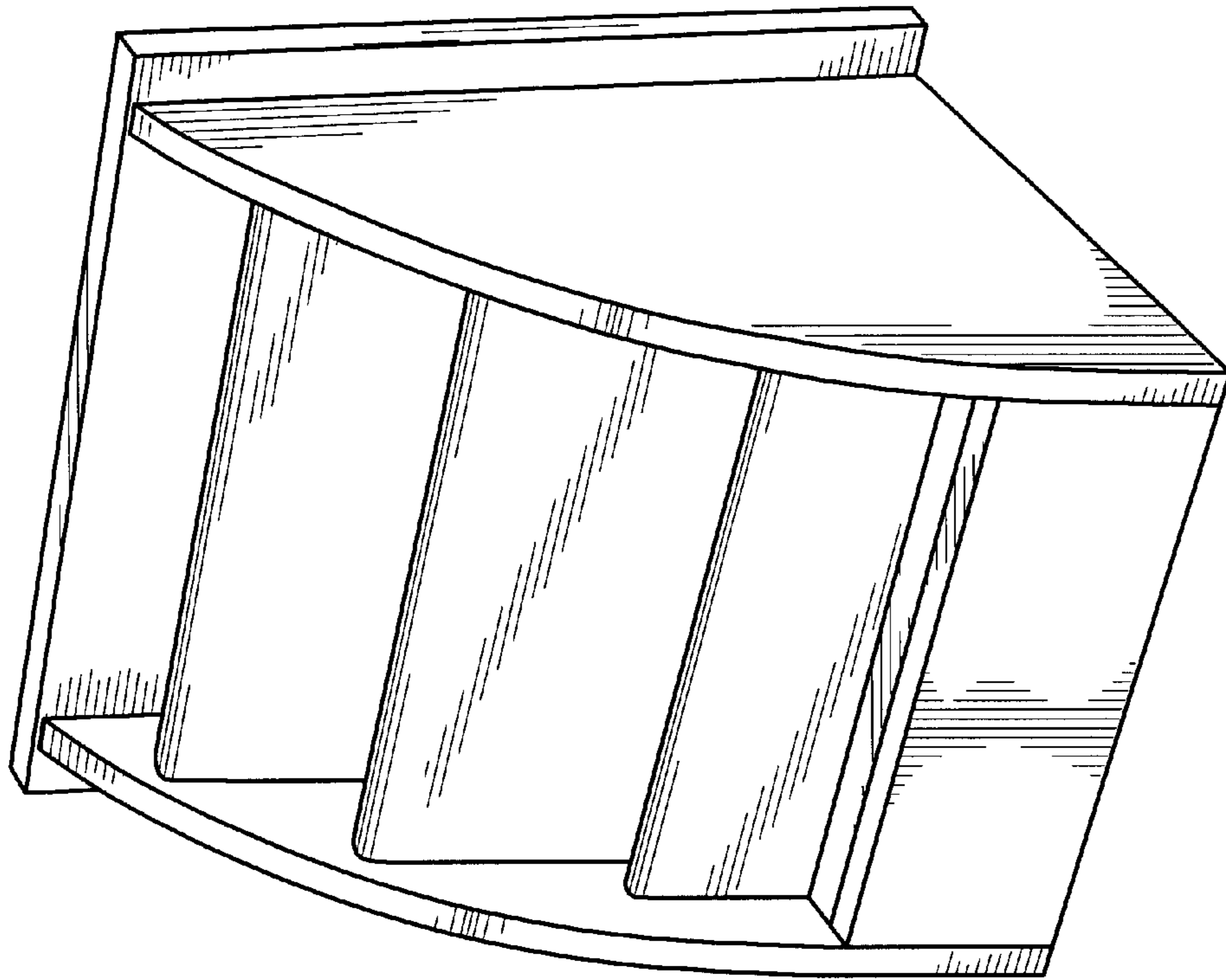


Fig. 2

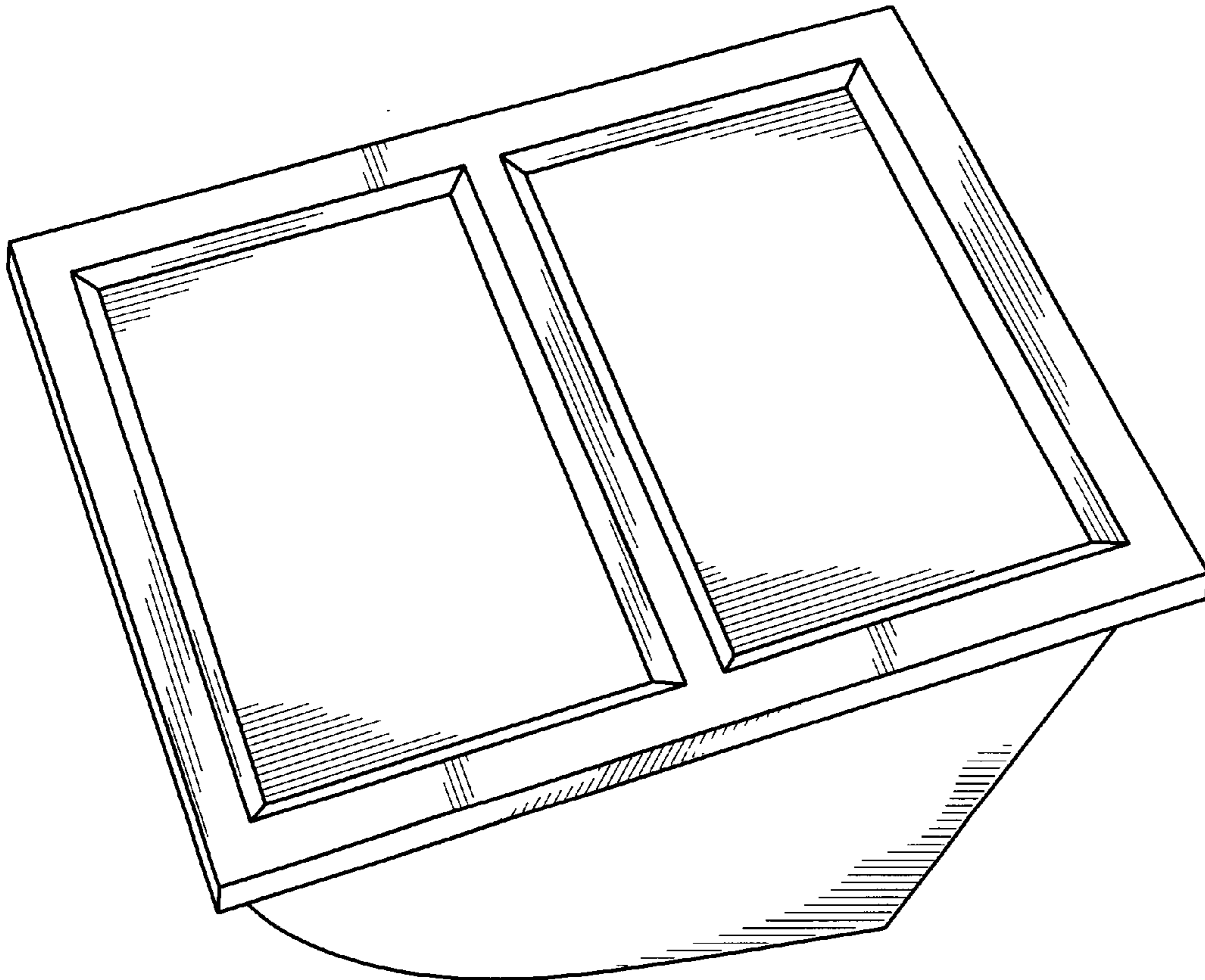


Fig. 1

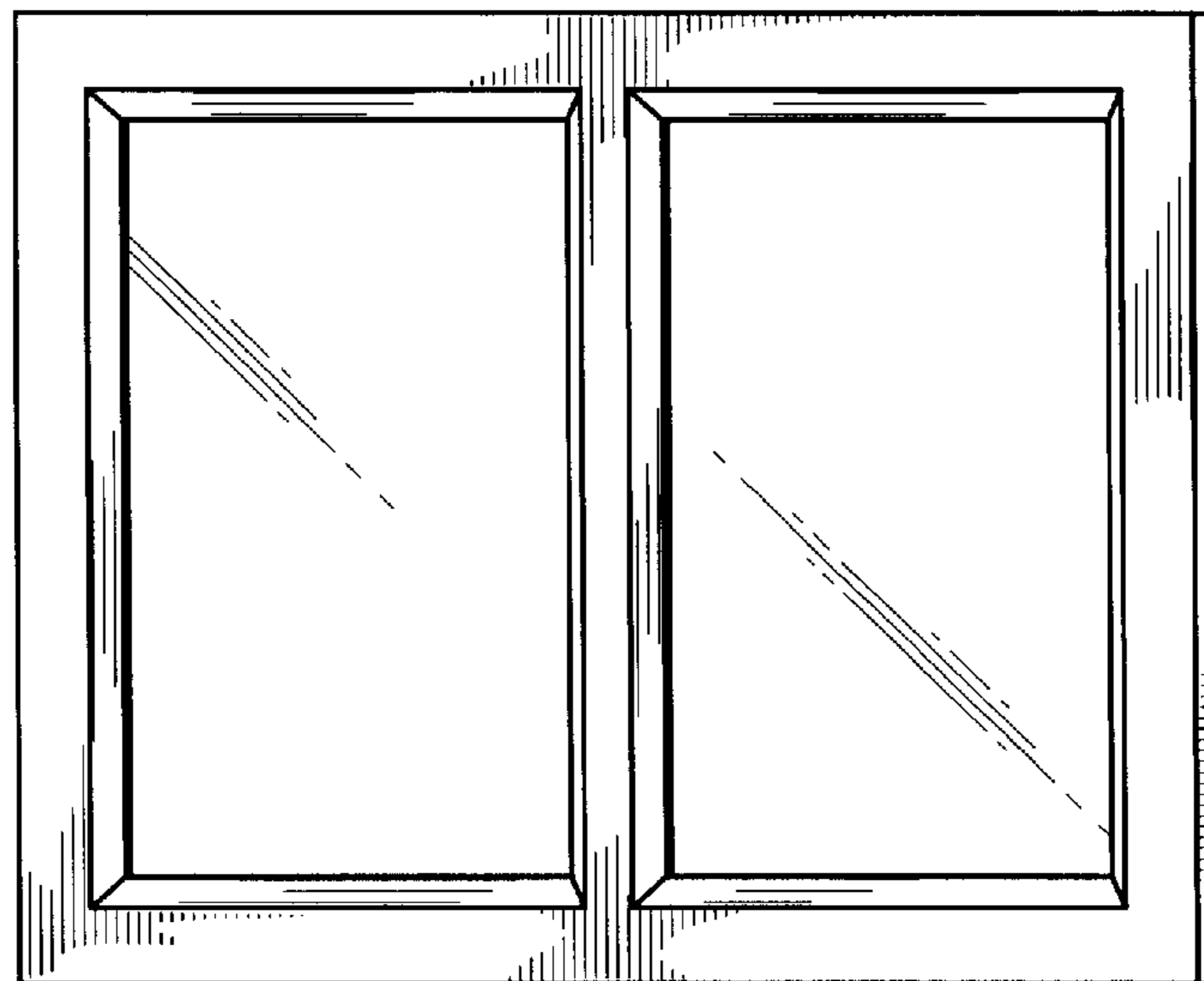


Fig. 3

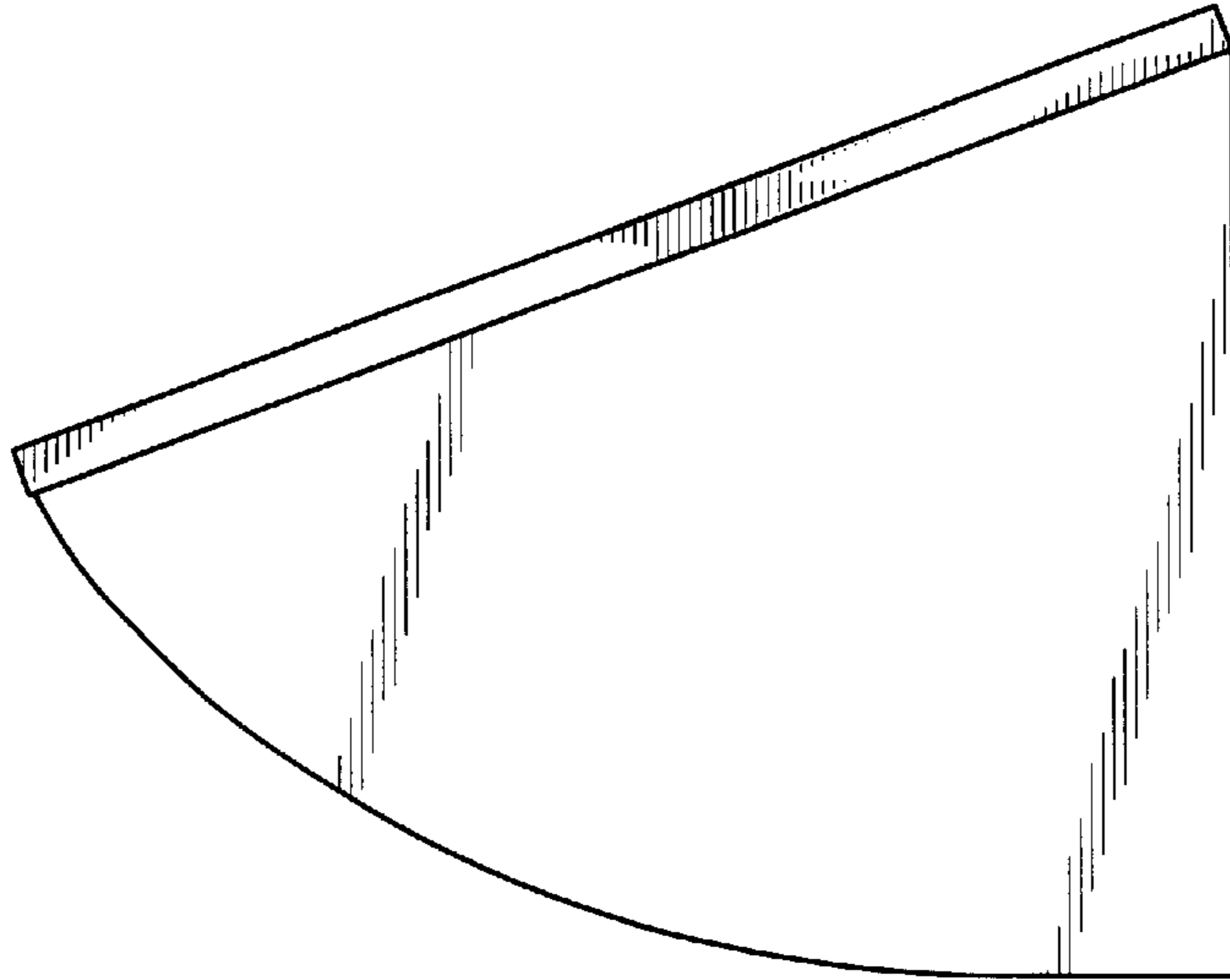


Fig. 4

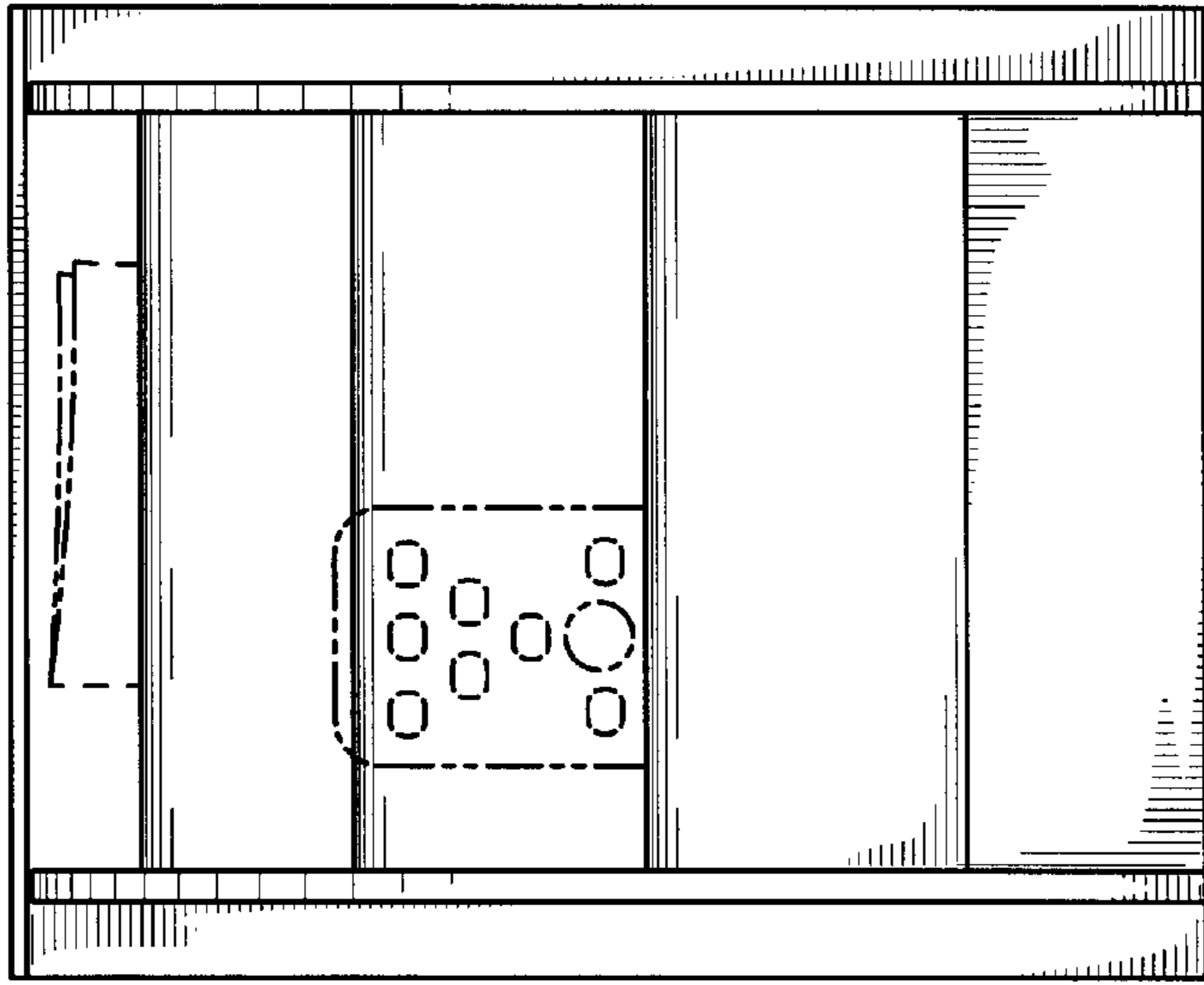


Fig. 5

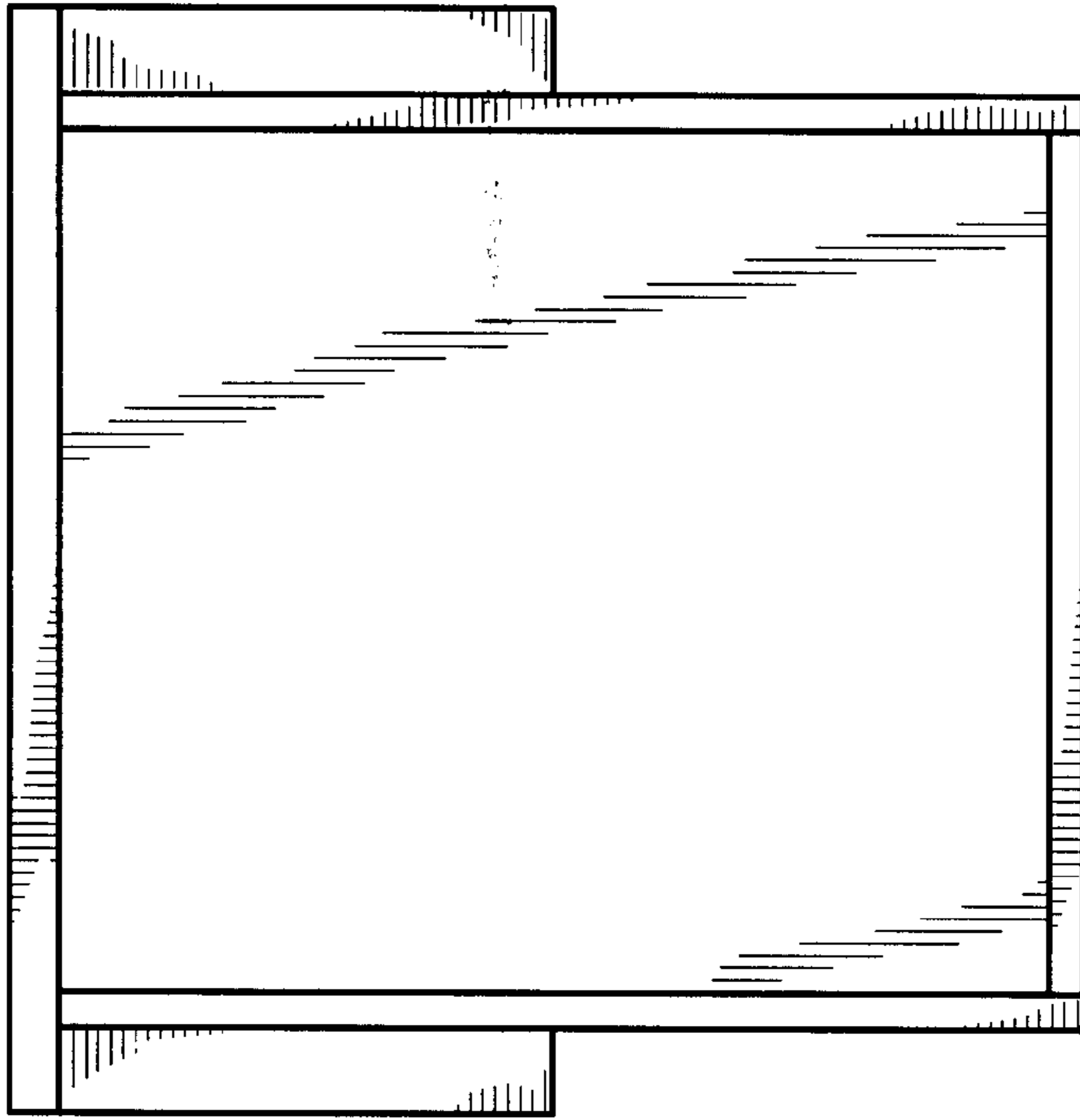


Fig. 7

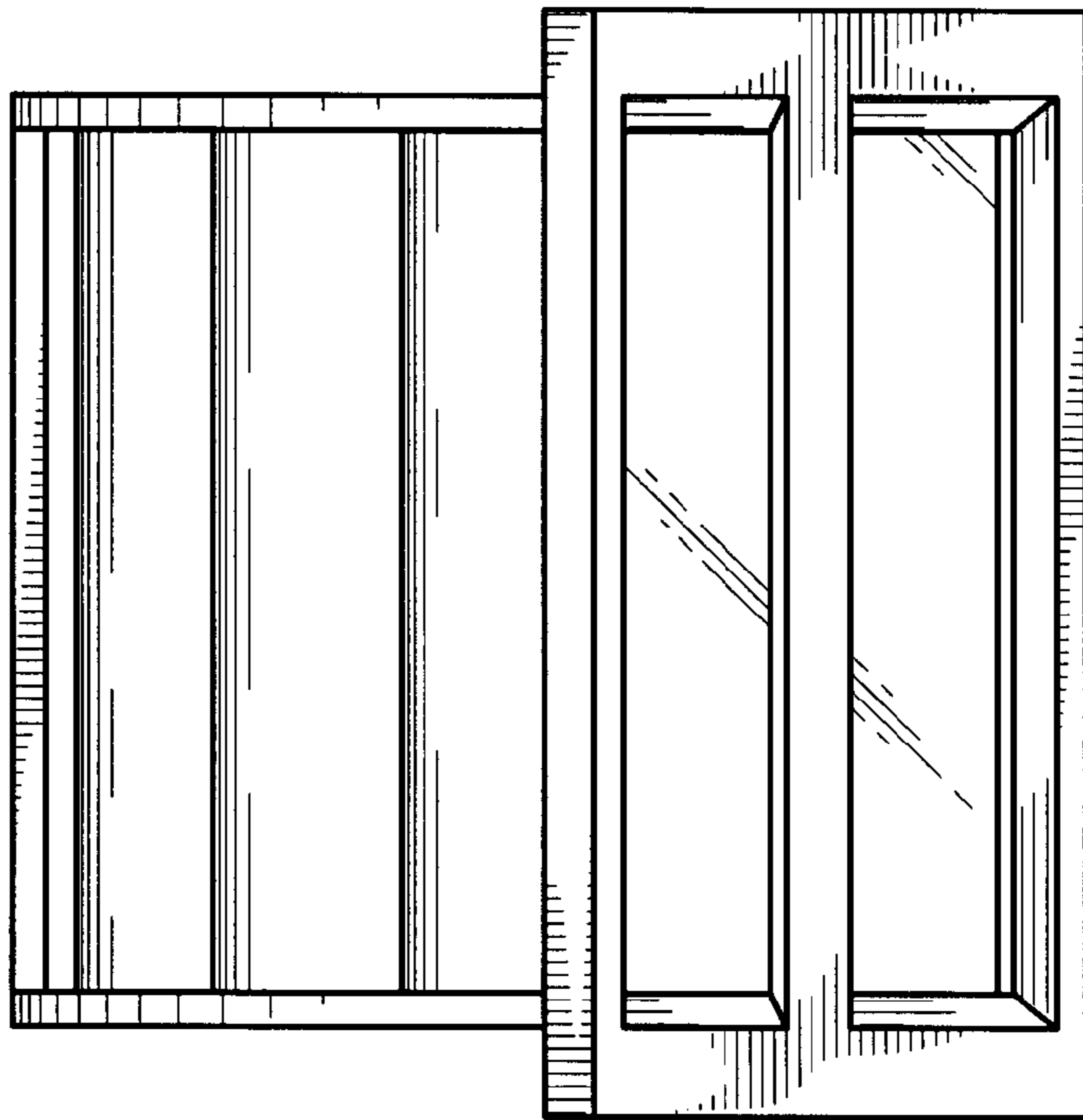


Fig. 6

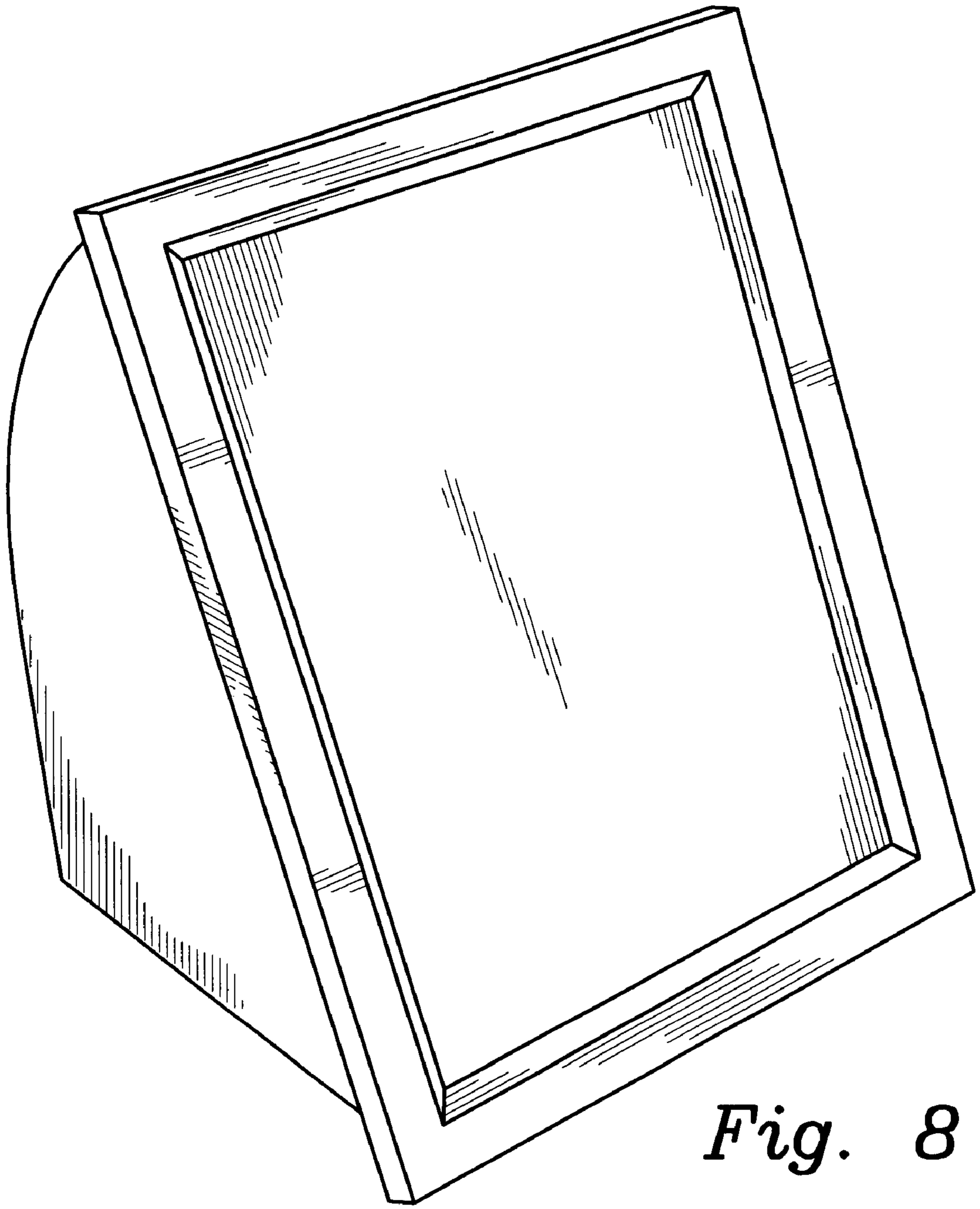


Fig. 8